



US00D739189S

(12) **United States Design Patent**
Carpenter

(10) **Patent No.:** **US D739,189 S**

(45) **Date of Patent:** **** Sep. 22, 2015**

(54) **WINE RACK**

(71) Applicant: **William B. Carpenter**, North Vancouver (CA)

(72) Inventor: **William B. Carpenter**, North Vancouver (CA)

(**) Term: **14 Years**

(21) Appl. No.: **29/447,652**

(22) Filed: **Mar. 5, 2013**

Related U.S. Application Data

(63) Continuation-in-part of application No. 29/444,989, filed on Feb. 6, 2013.

(51) **LOC (10) Cl.** **07-06**

(52) **U.S. Cl.**
USPC **D7/701**

(58) **Field of Classification Search**
USPC D7/701-708, 619.1-619.2, 621-625;
248/213.2, 220.41, 311.2, 312.1;
211/189, 193, 168, 171, 170, 94.01,
211/85.31, 74-75, 85.5, 71.01, 125
See application file for complete search history.

(56) **References Cited**

U.S. PATENT DOCUMENTS

2,051,408	A	8/1936	Karst
2,527,796	A	11/1946	Clute
D232,284	S	8/1974	Shuck
D236,565	S	9/1975	Fuller
D260,463	S	9/1981	Imus

(Continued)

FOREIGN PATENT DOCUMENTS

CA	2 677 021	2/2010
CA	2 743 948	5/2010

(Continued)

OTHER PUBLICATIONS

Vin De Garde Cellar Systems, Modern Wine Cellars Catalog 2011.

(Continued)

Primary Examiner — Wan Laymon

Assistant Examiner — Mark Booker

(74) *Attorney, Agent, or Firm* — Kolisch Hartwell, P.C.

(57) **CLAIM**

I claim the ornamental design for a wine rack, as shown and described.

DESCRIPTION

FIG. 1 is a perspective view of a wine rack according to an embodiment of the claimed design;
FIG. 2 is a front elevational view of the wine rack of FIG. 1;
FIG. 3 is a left side elevational view of the wine rack of FIG. 1;
FIG. 4 is a top plan view of the wine rack of FIG. 1;
FIG. 5 is a perspective view of the wine rack of FIG. 1; and,
FIG. 6 is a perspective view of the wine rack of FIG. 1 in a state of use.

The lines shown in the drawings represent the approximate three-dimensional contour of the design, and are not intended to indicate surface decoration.

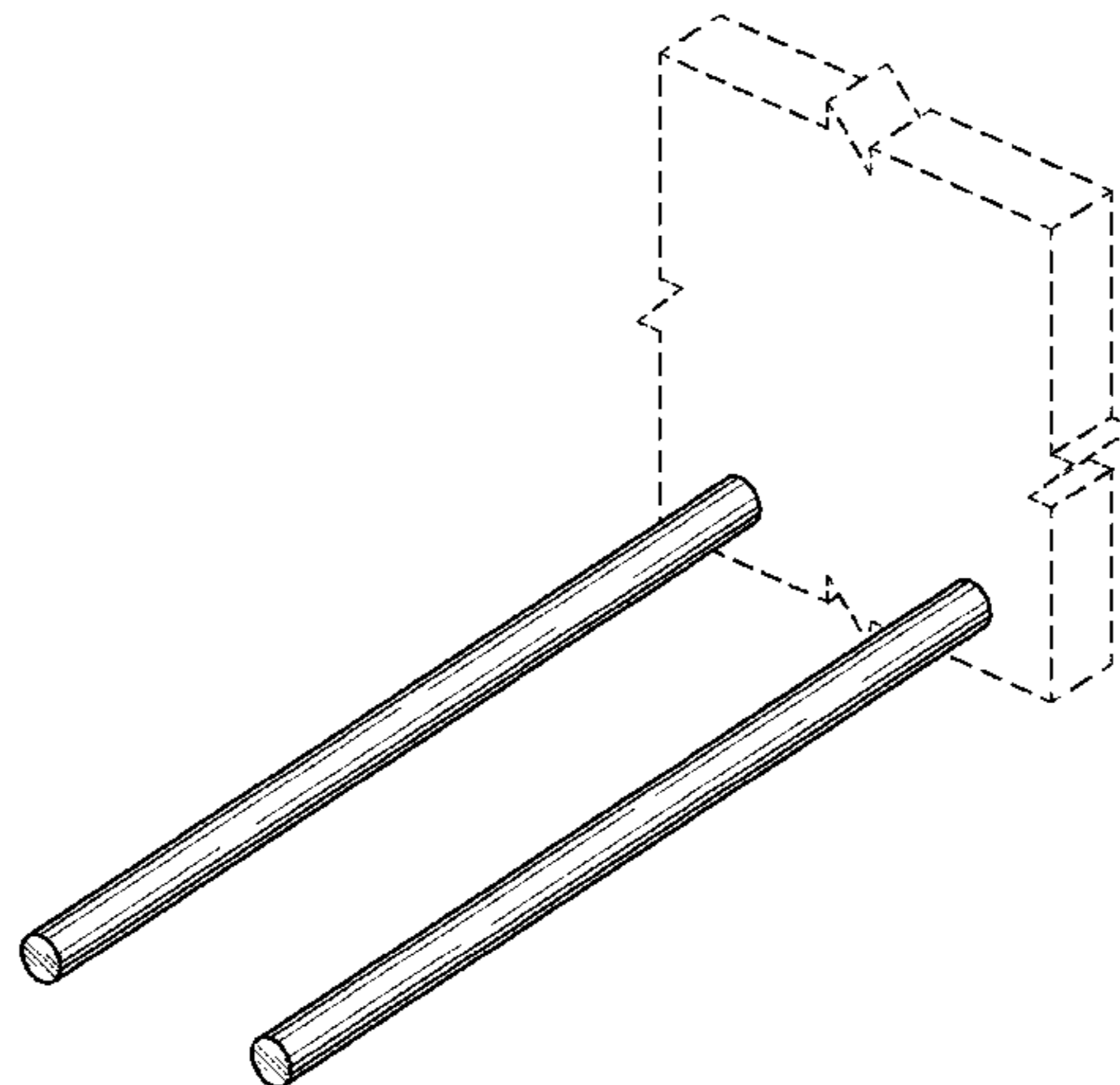
The right side elevational view of each embodiment of the design is a mirror image of the left side elevational view of that embodiment, so the right side view has been omitted.

The bottom plan view of each embodiment of the design is identical to the top plan view of that embodiment, so the bottom plan view has been omitted.

The broken lines shown in the figures are included for the purpose of illustrating portions of the article and form no part of the claimed design.

Portions of the wine rack that are not shown in the drawings form no part of the claimed design.

1 Claim, 4 Drawing Sheets



(56)

References Cited

U.S. PATENT DOCUMENTS

4,482,065	A *	11/1984	Altemose	211/74
D284,720	S	7/1986	Watson	
D295,128	S	4/1988	Gentile	
4,944,415	A	7/1990	Orbach	
5,025,936	A	6/1991	Lamoureaux	
5,499,724	A	3/1996	Hickman	
5,503,276	A	4/1996	Pierce	
5,813,550	A	9/1998	Sheehan et al.	
D460,295	S *	7/2002	Fissell et al.	D6/467
D460,902	S	7/2002	Battle	
6,763,956	B2	7/2004	Woods	
D497,526	S	10/2004	Sanders et al.	
6,991,117	B2	1/2006	McCain	
7,284,734	B2	10/2007	Hamerski	
7,377,397	B2	5/2008	Lee et al.	
7,673,761	B2	3/2010	Lee et al.	
7,850,017	B2	12/2010	McCain	
7,882,967	B2	2/2011	Hynes	
D634,992	S	3/2011	McNamee	
D655,986	S	3/2012	Schneider	
8,231,015	B2	7/2012	McCain	
8,573,548	B2	11/2013	Kuhn et al.	
D708,494	S *	7/2014	Carpenter	D7/701
2001/0013567	A1	8/2001	Valiulis	
2004/0069730	A1 *	4/2004	Woods	211/74
2007/0158284	A1 *	7/2007	Felder	211/74
2011/0132853	A1	6/2011	Drobot et al.	
2011/0309220	A1	12/2011	Collini	
2012/0085721	A1	4/2012	Michael et al.	
2013/0334155	A1	12/2013	Kasza et al.	

FOREIGN PATENT DOCUMENTS

GB	1 202 519	8/1970
GB	2 189 387 A	10/1987
GB	2 242 352 A	3/1990

OTHER PUBLICATIONS

Genuwine Cellars, Label Link (retrieved from <http://www.genuwinecellars.com/metal-series/label-link/> on Jan. 25, 2013).

Genuwine Cellars, PEG System (retrieved from <http://www.genuwinecellars.com/metal-series/peg-system/> on Jan. 25, 2013).

Genuwine Cellars, Metal Series (retrieved from <http://www.genuwinecellars.com/metal-series/> on Feb. 21, 2013).

Houzz Inc., Bachus Bottle Rack—modern—wine racks—by Made in Design, 2013 (retrieved from <http://www.houzz.com/photos/151858/Bachus-Bottle-Rack-modern-wine-racks-> on Jul. 18, 2013).

Houzz Inc., Live-Edge Solid Walnut 6-Bottle Wine Rack—eclectic—wine racks—by Etsy, 2013 (retrieved from <http://www.houzz.com/photos/2739502/Live-Edge-Solid-Walnut-6-Bottle-Wine-Rack-eclectic-wine-racks-> on Jul. 18, 2013).

Houzz Inc., Wood & Metal Industrial Wine Rack—contemporary—wine racks—by World Market, 2013 (retrieved from <http://www.houzz.com/photos/1548374NWood---Metal-Industrial-Wine-Rack-contemporary-wine-racks-> on Jul. 18, 2013).

Stact Wine Displays Inc., Stact revolutionary wine rack, 2013 (retrieved from <http://www.getstact.com/collections/wine-rack-revolutionized> on Jul. 18, 2013).

Genuwine Cellars, proprietary material dated 2009, 2010 and 2012 (sealed).

Photo of a wine cellar which appeared at web page <http://www.houzz.com/photos/36895/Modern-Wine-Cellar-contemporary-wine-cellar-other-metro> at least as early as Mar. 2011.

Photo of a wine cellar which appeared at web page <http://www.houzz.com/photos/502220/Modern-Wine-Cellar-modern-wine-cellar-toronto> at least as early as Jan. 2012.

William B. Carpenter, photo of wine cellar dated Jan. 28, 2012.

Federal Court of Canada, “Statement of Claim” in connection with *Stact Wine Displays Inc. v. William B. Carpenter*, May 14, 2015, 11 pages.

Nørskor Olsen APS web page <http://noerskovolsen.dk/billeder.htm>, accessed on May 14, 2015, wine rack design published in 2004, 2 pages.

ESIGO catalog, http://pdf.archiexpo.com/pdf/esigo-srl/esigo-collection-2011/63264-66039-_6.html, 2011, 10 pages.

Email from Mr. Carpenter to Mr. Kasza dated May 26, 2011 discussing ESIGO 4 wine rack design, 1 page.

* cited by examiner

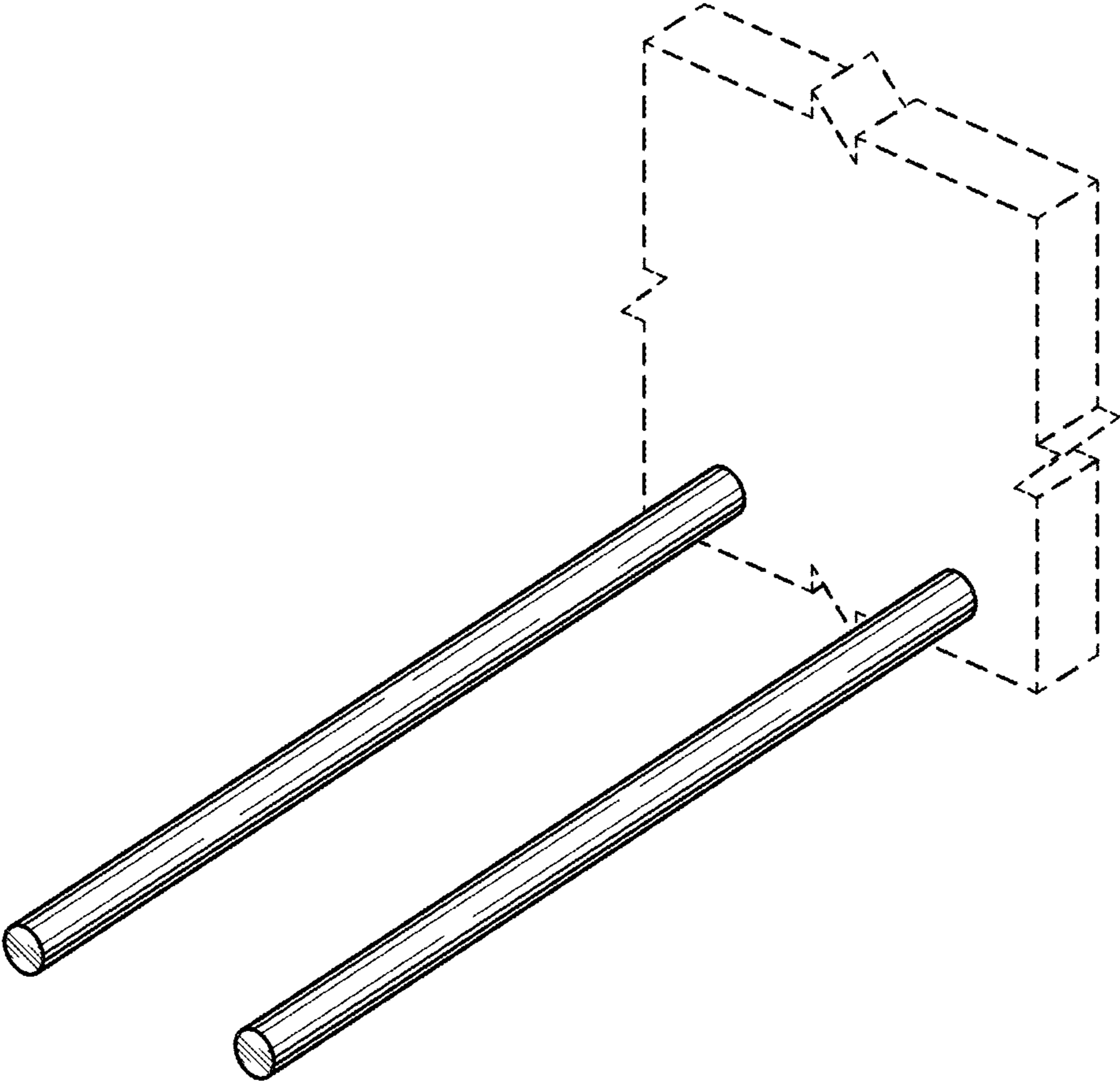


FIG. 1

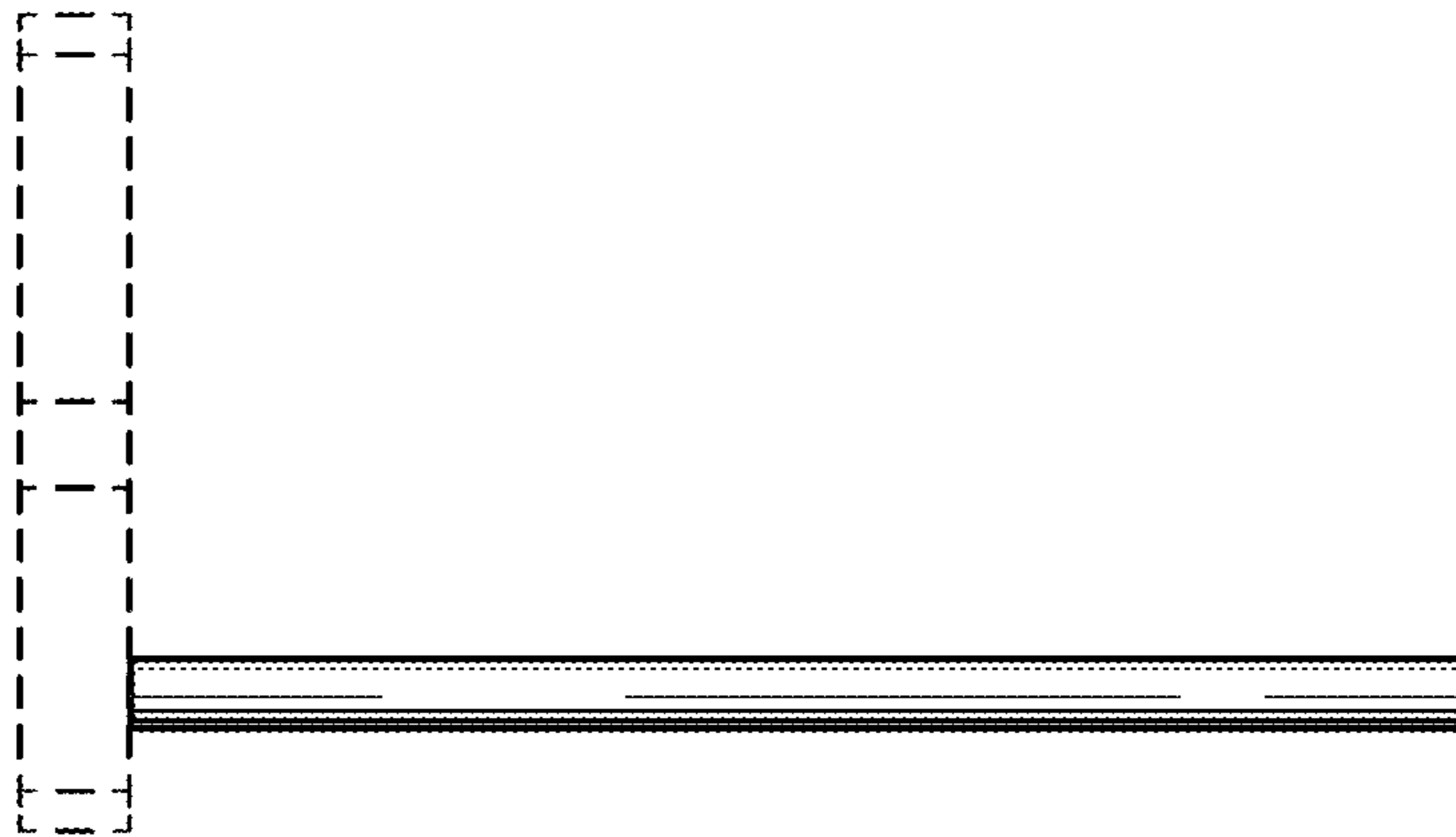


FIG. 3

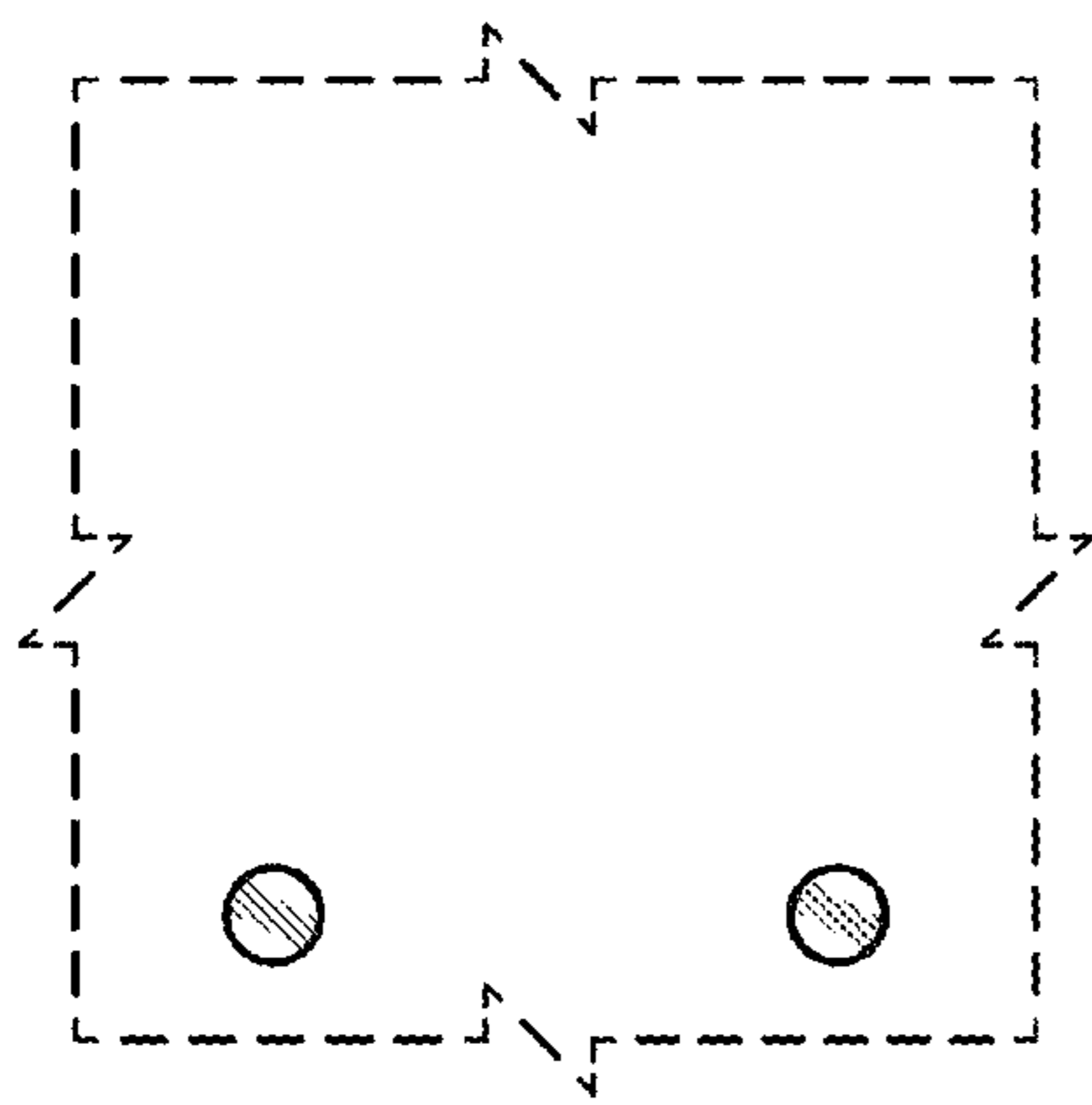


FIG. 2

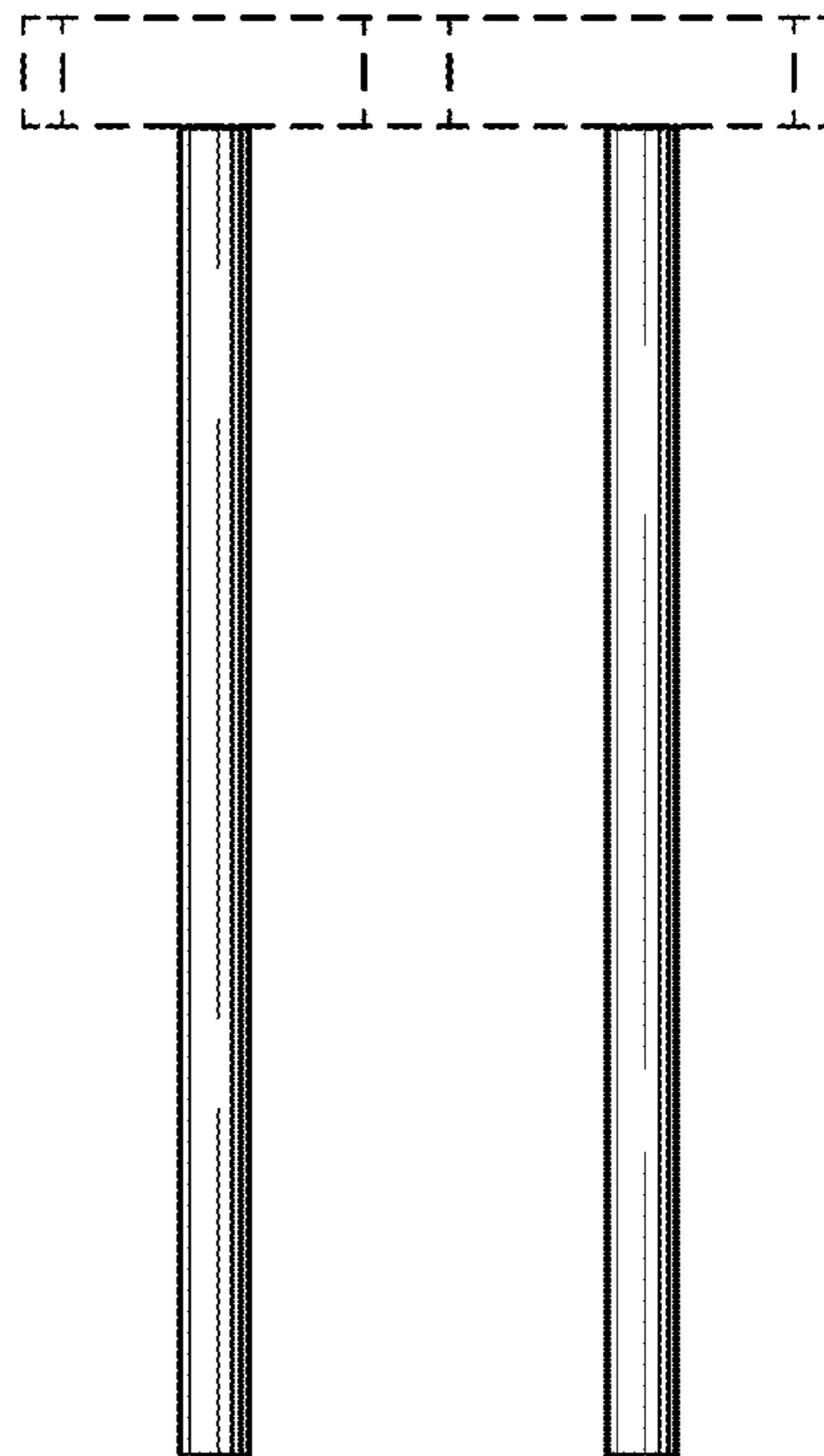


FIG. 4

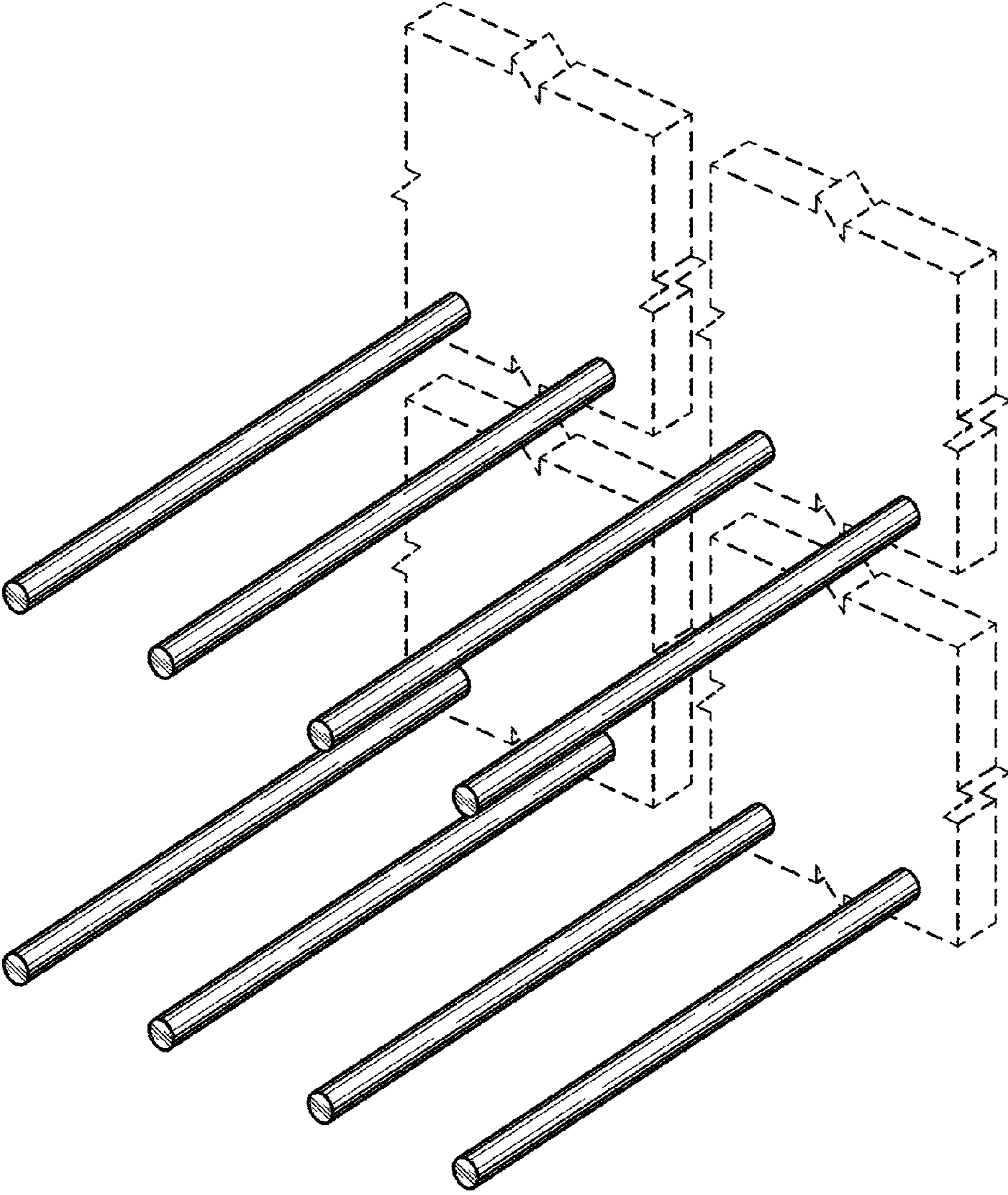


FIG. 5

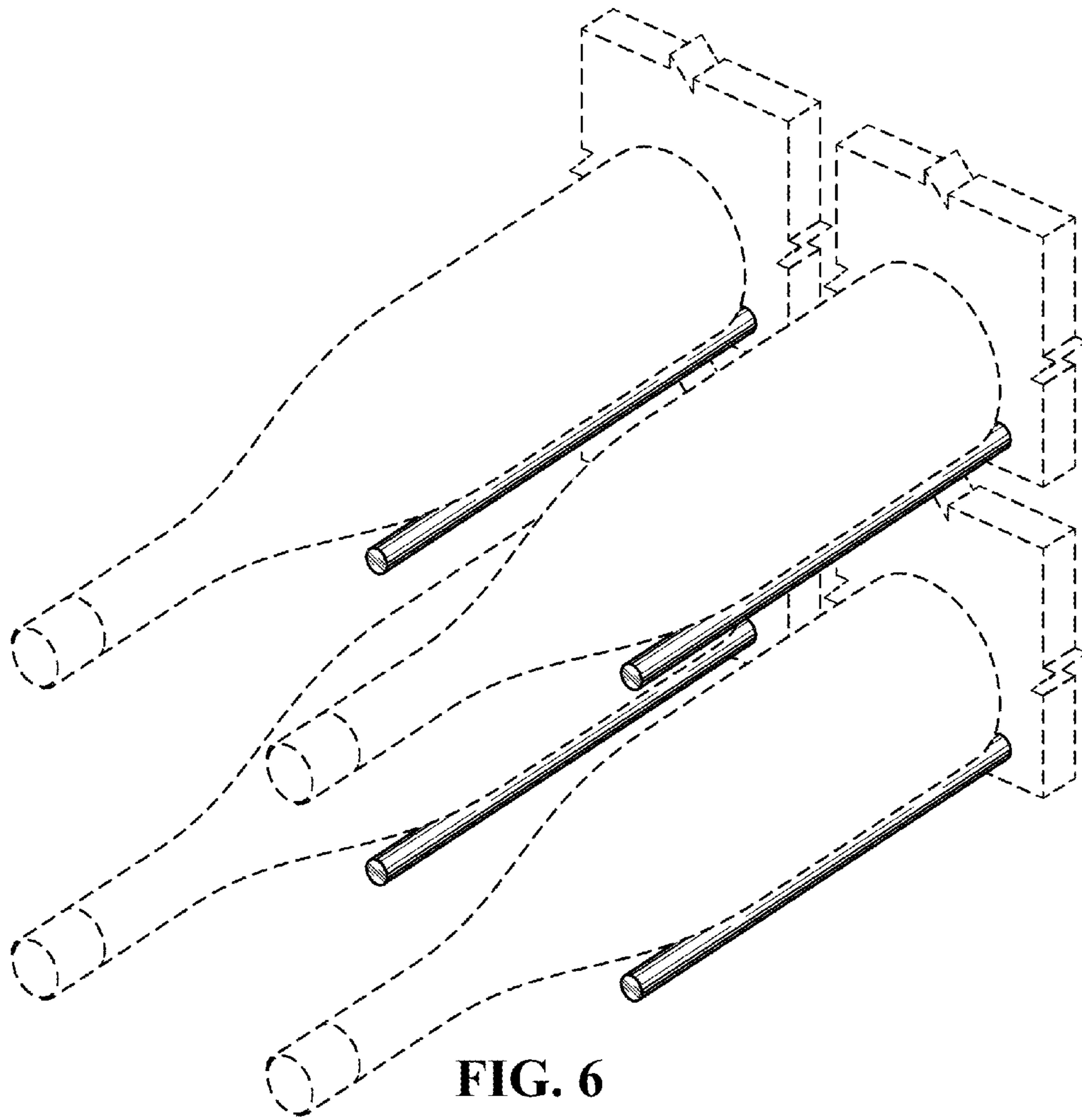


FIG. 6