



US00D739187S

(12) **United States Design Patent**  
**Juchem**

(10) **Patent No.:** **US D739,187 S**  
(45) **Date of Patent:** **\*\* Sep. 22, 2015**

(54) **COMBINATION PIZZA SLICER AND SERVER**

(71) Applicant: **Murilo Juchem**, Porto Alegre (BR)

(72) Inventor: **Murilo Juchem**, Porto Alegre (BR)

(\*\*) Term: **14 Years**

(21) Appl. No.: **29/485,791**

(22) Filed: **Mar. 23, 2014**

(51) **LOC (10) Cl.** ..... **07-06**

(52) **U.S. Cl.**  
USPC ..... **D7/694; D7/688**

(58) **Field of Classification Search**  
USPC ..... D7/368, 669, 694, 688; 30/142, 124,  
30/307, 347, 353, 357, 286, 319, 365;  
294/7, 8; D8/51  
CPC ... A47G 21/045; B26B 25/005; B26D 7/2621  
See application file for complete search history.

(56) **References Cited**

**U.S. PATENT DOCUMENTS**

3,174,223 A \* 3/1965 Gerson ..... 30/142  
3,711,945 A \* 1/1973 Cronheim ..... 30/142

4,423,551 A \* 1/1984 Chmela et al. .... 30/142  
D286,608 S \* 11/1986 Leung ..... D7/688  
4,809,437 A \* 3/1989 Saliaris ..... 30/319  
D358,306 S \* 5/1995 Heckroth ..... D7/688  
D393,987 S \* 5/1998 Molo ..... D7/694  
D552,944 S \* 10/2007 Trinqu ..... D7/694  
D594,292 S \* 6/2009 Eide et al. .... D7/694  
D678,009 S \* 3/2013 Krohmer et al. .... D7/694

\* cited by examiner

*Primary Examiner* — Terry Wallace

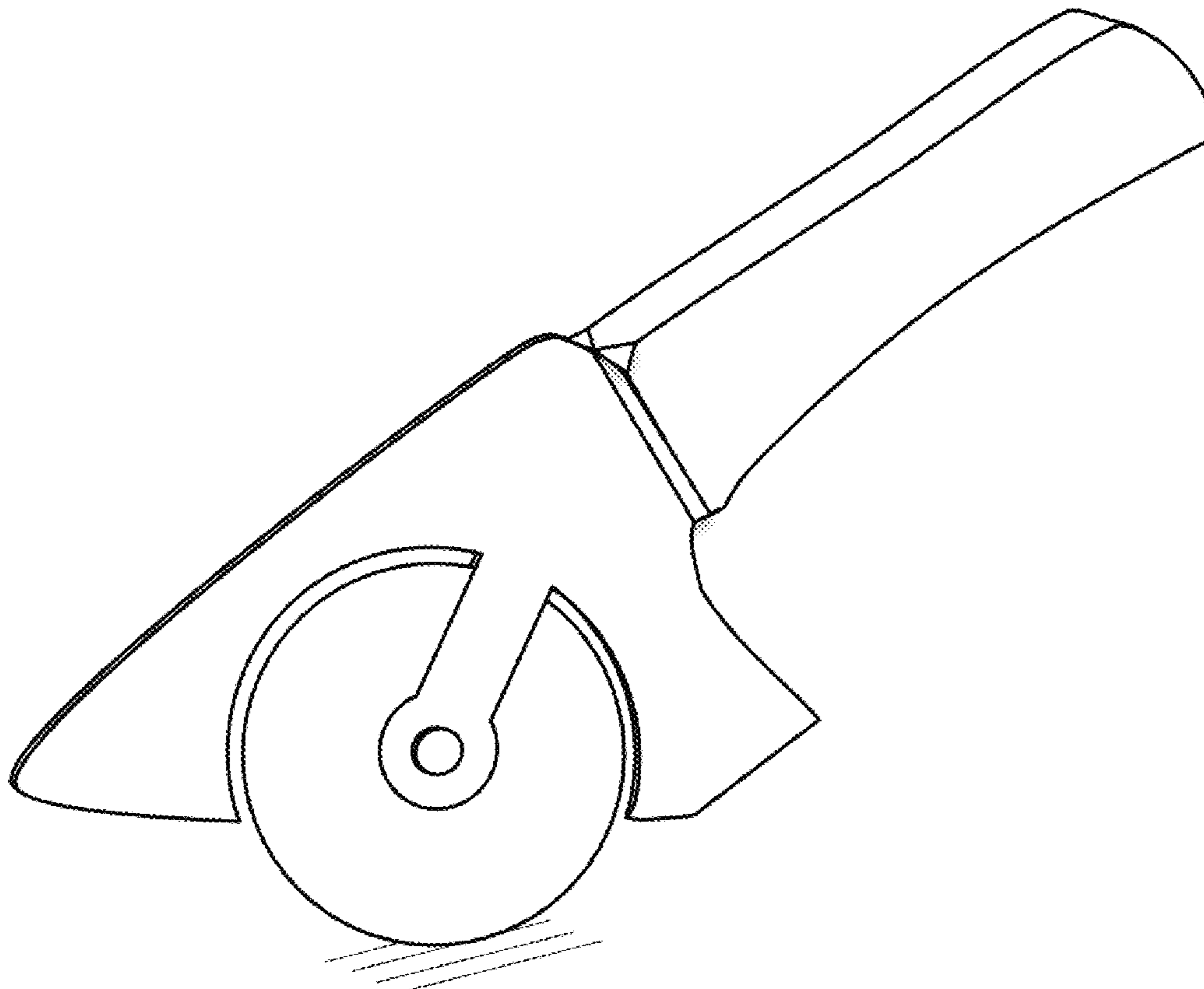
(57) **CLAIM**

The ornamental design for a combination pizza slicer and server, as shown and described.

**DESCRIPTION**

FIG. 1 is a perspective view of a combination pizza slicer and server, showing my new design;  
FIG. 2 is a right side elevational view thereof;  
FIG. 3 is a left side elevational view thereof;  
FIG. 4 is a top plan view thereof;  
FIG. 5 is a bottom plan view thereof;  
FIG. 6 is a rear elevational view thereof; and,  
FIG. 7 is a front elevational view thereof.

**1 Claim, 2 Drawing Sheets**



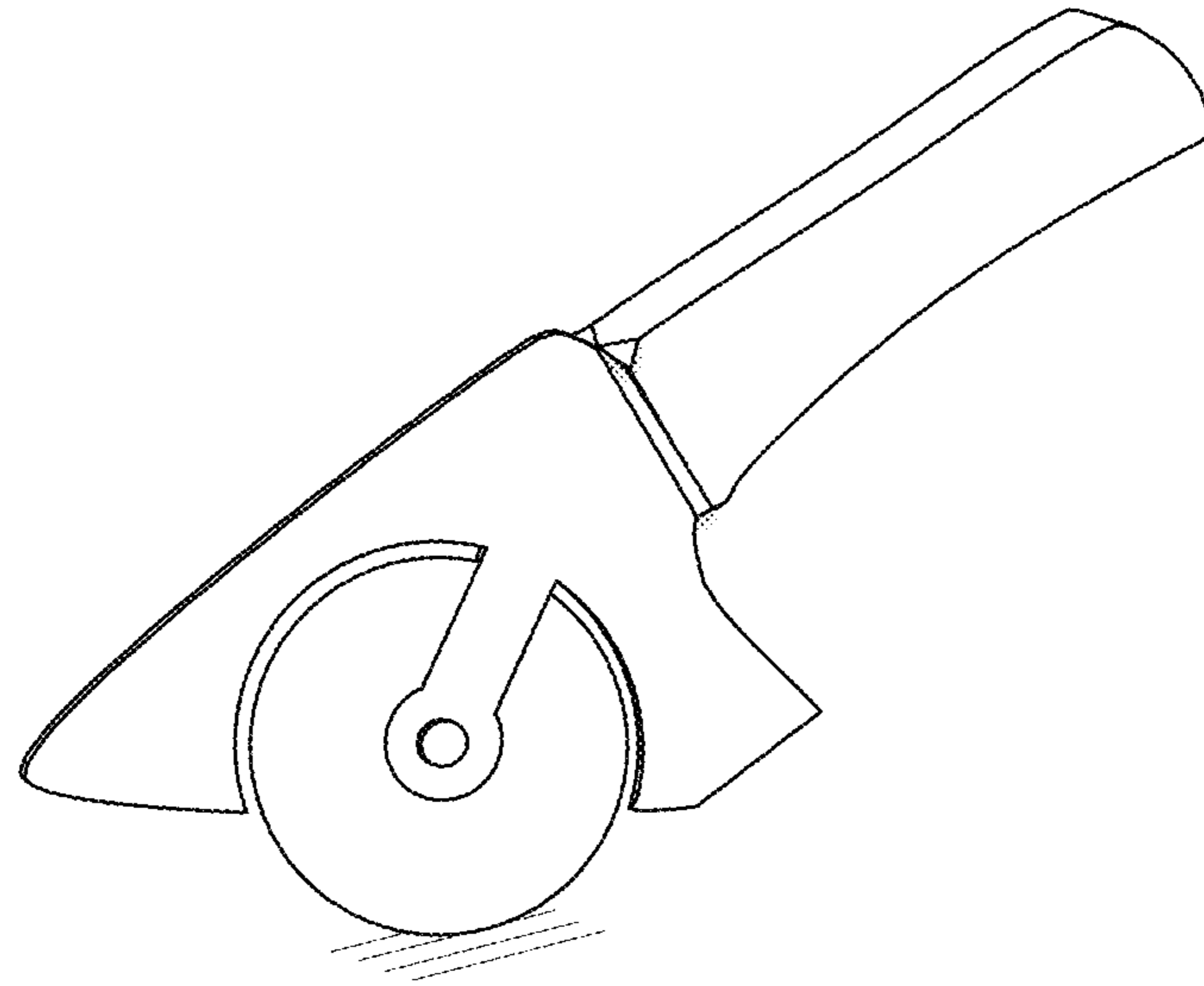


FIG. 1

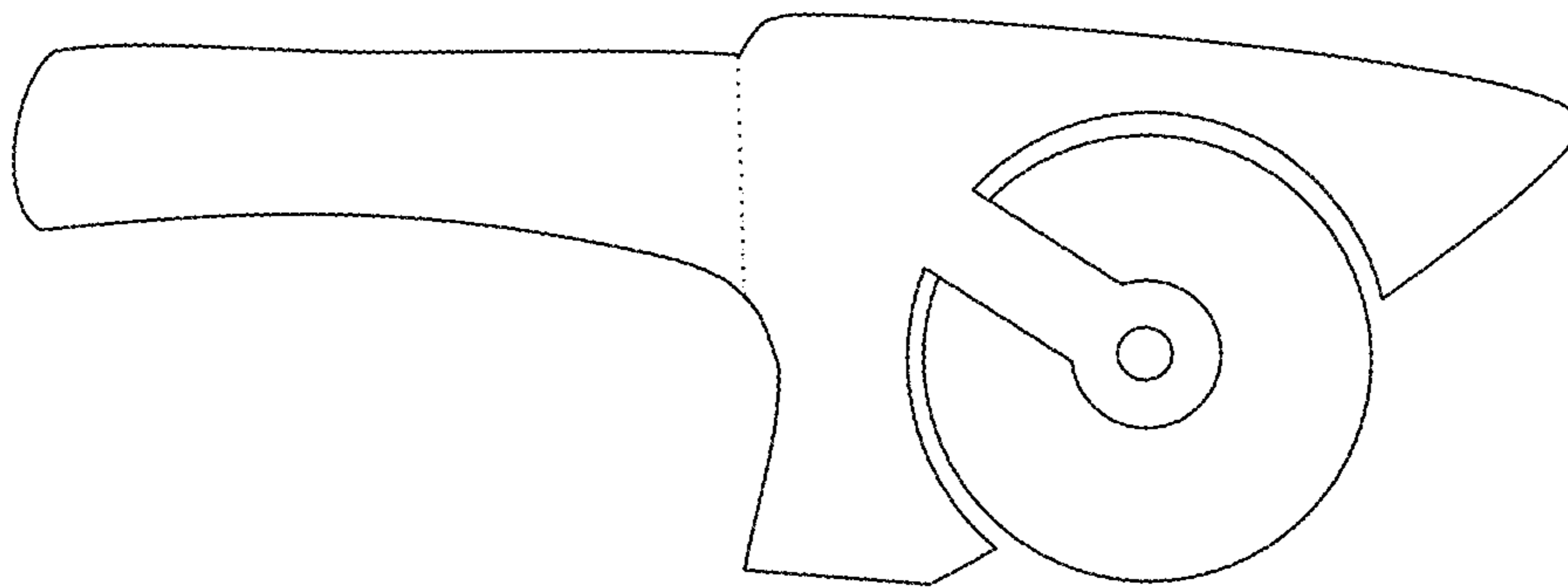


FIG. 2

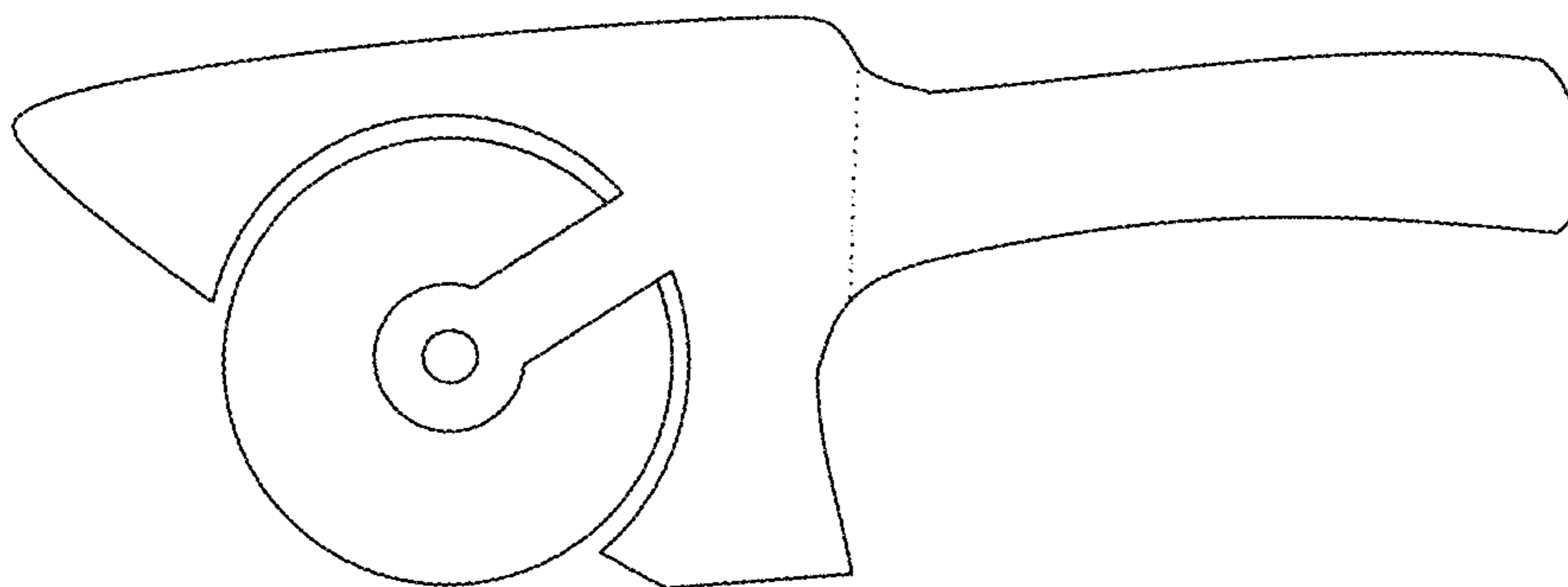


FIG. 3

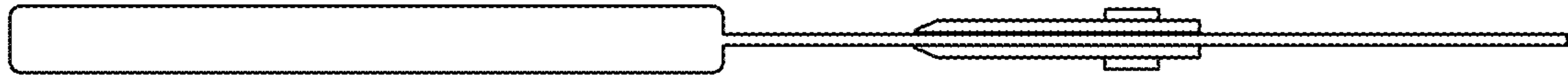


FIG. 4

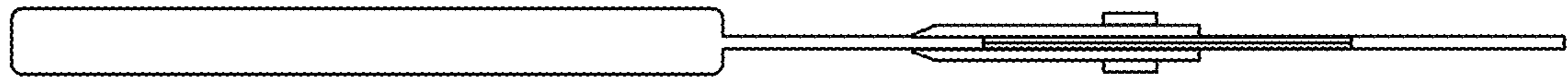


FIG. 5

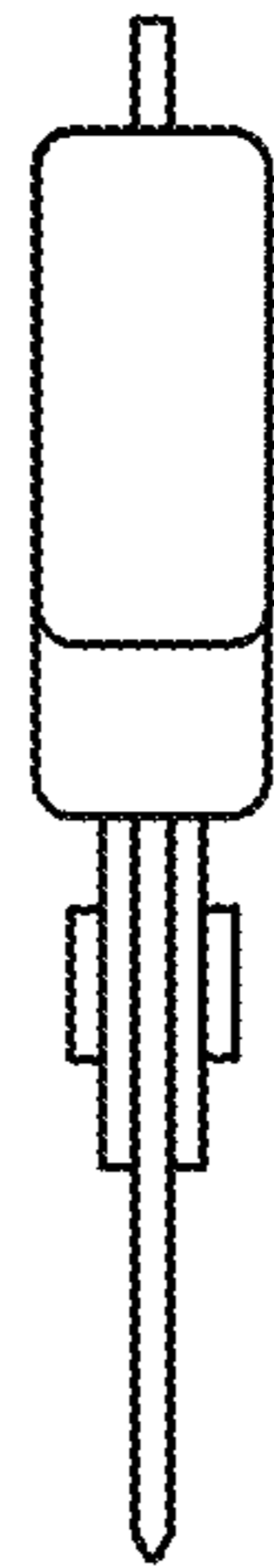


FIG. 6

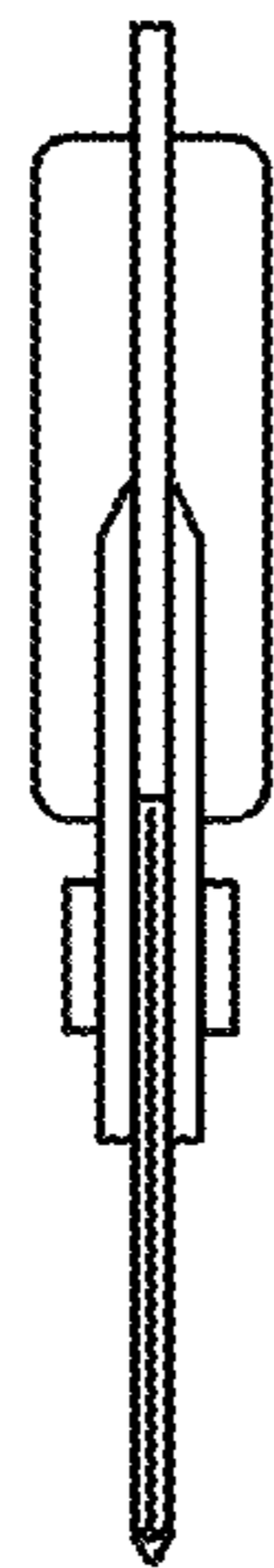


FIG. 7