



US00D739182S

(12) **United States Design Patent**
Ryu et al.

(10) **Patent No.:** **US D739,182 S**

(45) **Date of Patent:** **** Sep. 22, 2015**

(54) **FOOD CONTAINER**

(71) Applicant: **Samsung Electronics Co., Ltd.**,
Suwon-si, Gyeonggi-do (KR)

(72) Inventors: **Jinie Ryu**, Seoul (KR); **Jongchan Kwon**, Yongin-si (KR); **Ji Hyun Moon**, Gwangmyung-si (KR); **YangJic Lee**, Gwanchun-si (KR); **Sangmin Hyun**, Seoul (KR)

(73) Assignee: **SAMSUNG ELECTRONICS CO., LTD.** (KR)

(**) Term: **14 Years**

(21) Appl. No.: **29/464,220**

(22) Filed: **Aug. 14, 2013**

(30) **Foreign Application Priority Data**

Feb. 14, 2013 (KR) 30-2013-0007667

(51) **LOC (10) Cl.** **07-01**

(52) **U.S. Cl.**
USPC **D7/602**

(58) **Field of Classification Search**

USPC D7/629, 614, 601, 602, 605, 606, 608, D7/611, 612, 613, 701, 702, 703, 704, 705, D7/706, 708, 619.1, 628, 632, 637, 590; D6/559, 573, 512, 553, 556, 558, 513, D6/514, 515, 516, 519, 520, 522, 552, 555, D6/557, 567, 569, 570, 571, 574, 572; 211/71.01, 74, 76, 79, 85.18, 85.23, 211/70.6, 70.7, 70.1, 13.1, 85.4, 85.5, 14, 211/22, 60.1, 126.7, 133.1, 86.01, 87.01; 108/28, 29, 31, 27, 47, 102, 107, 108/144.11, 148, 149, 52; 221/45, 92, 173; 248/309.1, 312, 314

See application file for complete search history.

(56) **References Cited**

U.S. PATENT DOCUMENTS

938,675 A * 11/1909 Lorenz 220/512
2,172,172 A * 9/1939 Mount 434/367
2,305,965 A * 12/1942 Henkel et al. 211/75

(Continued)

FOREIGN PATENT DOCUMENTS

JP 1172532 3/2003

OTHER PUBLICATIONS

62 Gifts for LEGO Lovers, [online], published on Dec. 15, 2013, retrieved on Sep. 29, 2014. Retrieved from, <URL: <http://wazzaaa.com/62-gifts-for-lego-lovers-from-building-block-storage-cases-to-stacking-phone-cases-trendhunter-com/>>, 1 page.*

(Continued)

Primary Examiner — Ian Simmons

Assistant Examiner — Shannon Morgan

(74) *Attorney, Agent, or Firm* — Cantor Colburn LLP

(57) **CLAIM**

We claim, the ornamental design for a food container, as shown and described.

DESCRIPTION

FIG. 1 is a top, front, left perspective view of a food container showing our new design;

FIG. 2 is the front elevation view thereof;

FIG. 3 is the rear elevation view thereof;

FIG. 4 is the left-side elevation view thereof;

FIG. 5 is the right-side elevation view thereof;

FIG. 6 is the top-side plan view thereof;

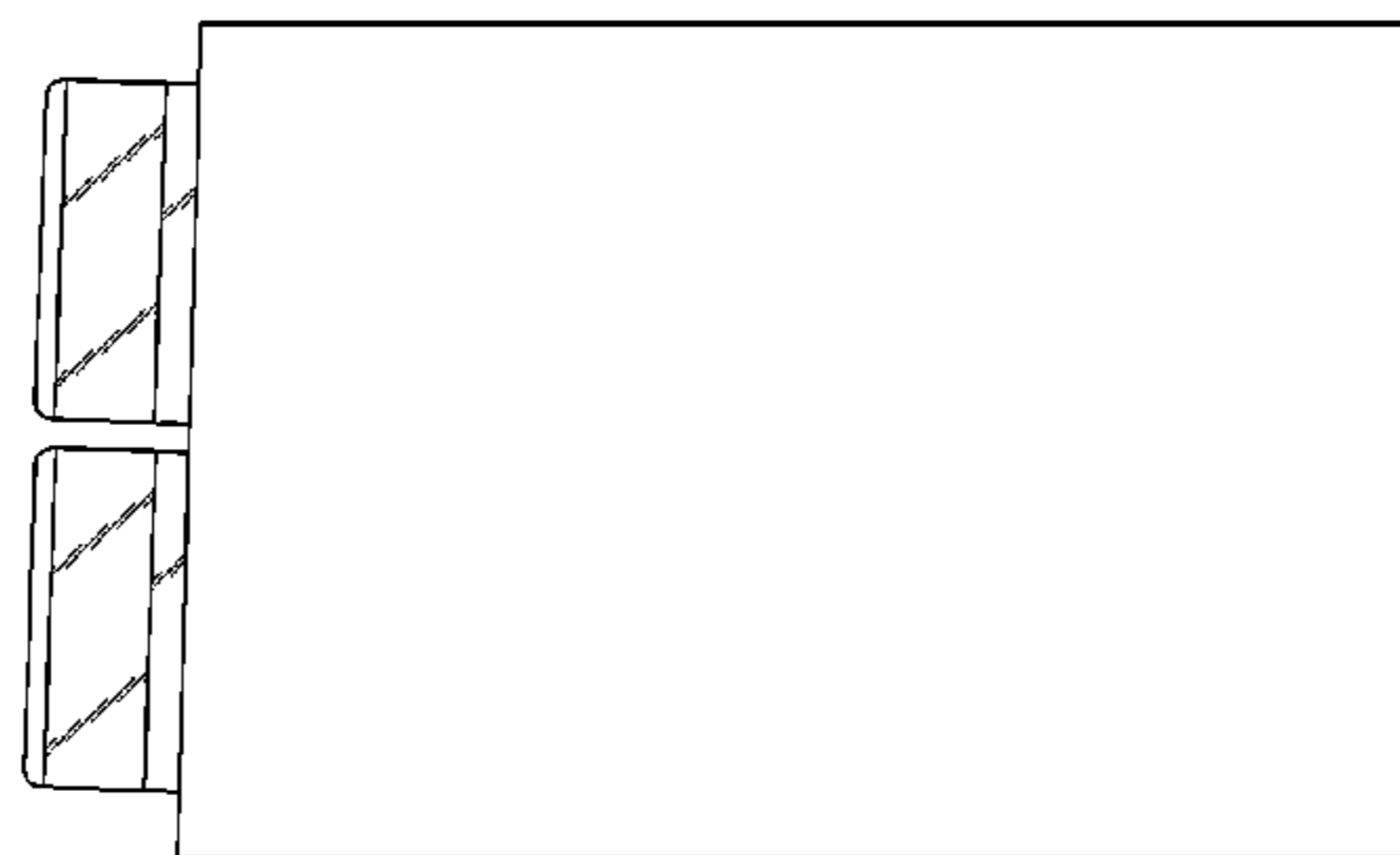
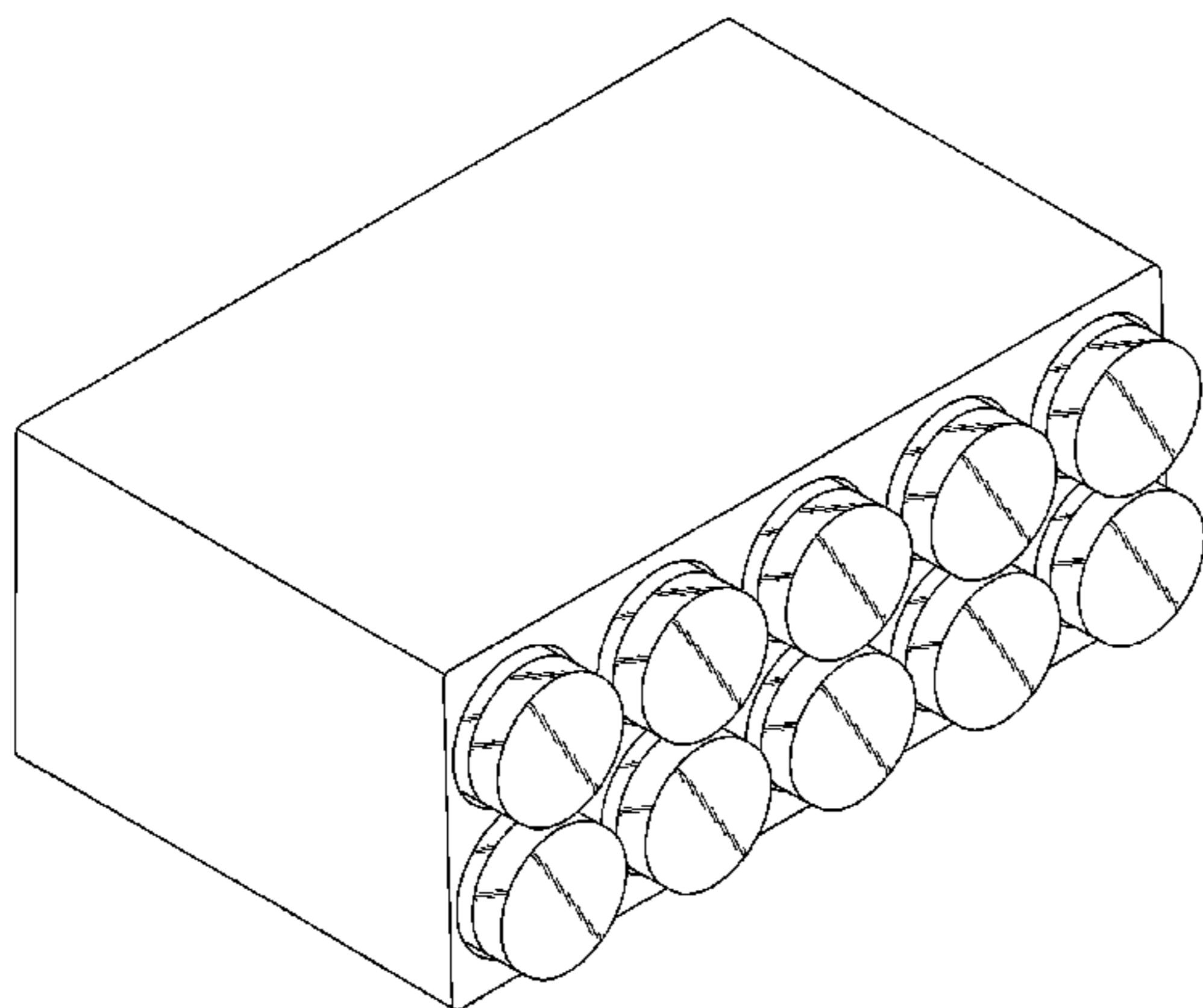
FIG. 7 is the bottom-side plan view thereof;

FIG. 8 is an exploded perspective view thereof; and,

FIG. 9 is a front elevation view thereof.

The broken lines in FIGS. 8 and 9 of the food container are for the purpose of illustrating environment, and form no part of the claimed design.

1 Claim, 8 Drawing Sheets



(56)

References Cited

U.S. PATENT DOCUMENTS

2,361,047	A *	10/1944	Morey	222/553
2,568,405	A *	9/1951	O'Malley	211/130.1
2,580,676	A *	1/1952	Gross	211/75
3,023,891	A *	3/1962	Sutter	206/488
3,239,069	A *	3/1966	Hollins	211/60.1
3,257,725	A *	6/1966	Dignard	30/290
3,300,055	A *	1/1967	Rohr	211/74
3,650,381	A *	3/1972	Weindling	206/742
D239,244	S *	3/1976	Lubge	D7/590
4,095,698	A *	6/1978	Wright	211/126.1
D252,909	S *	9/1979	Bayly	D9/640
4,179,033	A *	12/1979	Mitchell	211/60.1
D258,030	S *	1/1981	Davis	D6/468
4,378,889	A *	4/1983	Lebowitz	211/75
4,412,618	A *	11/1983	La Conte	206/581
D286,968	S *	12/1986	Gecchelin	D7/614
4,819,815	A *	4/1989	Tarlow et al.	211/74
4,850,484	A *	7/1989	Denman	206/366
5,232,103	A *	8/1993	Koenig et al.	211/69.5
5,494,087	A *	2/1996	Pitelka et al.	141/375
D591,957	S *	5/2009	Lee	D6/300
7,987,983	B1 *	8/2011	Guitreau	206/443
D675,539	S *	2/2013	Biglarians	D9/721
D683,914	S *	6/2013	Jones et al.	D30/199
D691,427	S *	10/2013	Cucci	D7/672
D691,431	S *	10/2013	Cucci	D7/672
2004/0007548	A1 *	1/2004	Tilly	211/74
2012/0222987	A1 *	9/2012	Cucci	206/526
2013/0277322	A1 *	10/2013	Tiberio	211/74
2014/0231372	A1 *	8/2014	Mills et al.	211/85.18

OTHER PUBLICATIONS

Build Your Own LEGO Brick Spice Rack, [online], published on Mar. 13, 2013, retrieved on Sep. 29, 2014. Retrieved from, <URL: <http://www.thatsnerdalicious.com/accessories/build-your-own-lego-brick-spice-rack-diy/>>, 1 page.*

LEGO Brick Spice Rack—Dave Delisle 2012 image, [online], published Aug. 6, 2012 at <http://davesgeekyideas.com/2012/08/06/lego-spice-rack/>, retrieved on Sep. 29, 2014. Retrieved from, <URL: <http://www.instructables.com/id/LEGO-Spice-Rack/>>, 1 page.*

Amazon.com: Trudeau Wedge 12-Bottle Spice Rack with Spices: Kitchen & Dining, [online], reviewed on Oct. 20, 2011, retrieved on Sep. 29, 2014. Retrieved from, <URL: <http://www.amazon.com/Trudeau-Wedge-12-Bottle-Spice-Spices/dp/B002ZJMS8G>>, 1 page.*

Metalla Spice Rack—Wayback Machine, [online], crawled on Feb. 2, 2009, retrieved on Sep. 29, 2014. Retrieved from, <URL: http://web.archive.org/web/20090202055132/http://tubularspices.com/spiceracks/Metalla_12_spice_rack.asp>, 1 page.*

Mid Mod Mom—plastic spice holder, [online], published on Oct. 8, 2013, retrieved on Sep. 29, 2014. Retrieved from, <URL: <http://www.midmodmom.com/2013/10/thrift-finds-midweek-post.html>>, 1 page.*

Amazon.com: Prodyne A-845 Acrylic 20 Bottle Spice Rack: Kitchen & Dining, [online], reviewed on Oct. 6, 2008, retrieved on Sep. 29, 2014. Retrieved from, <URL: <http://www.amazon.com/Prodyne-A-845-Acrylic-Bottle-Spice/dp/B000KFSLMO>>, 1 page.*

Japanese Office Action—JP 2013-018597 dated Nov. 7, 2013, citing JP1172532.

* cited by examiner

FIG. 1

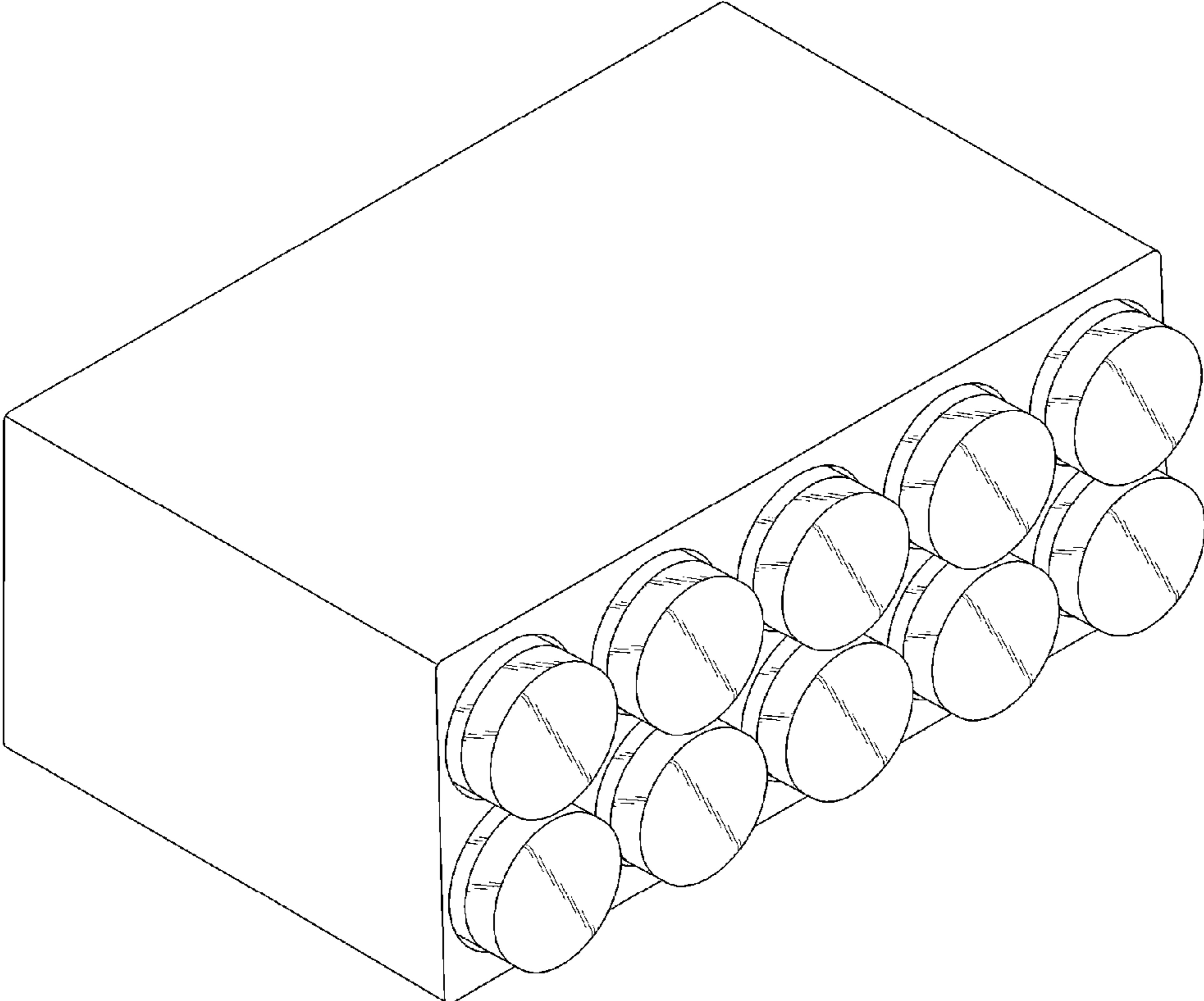


FIG. 2

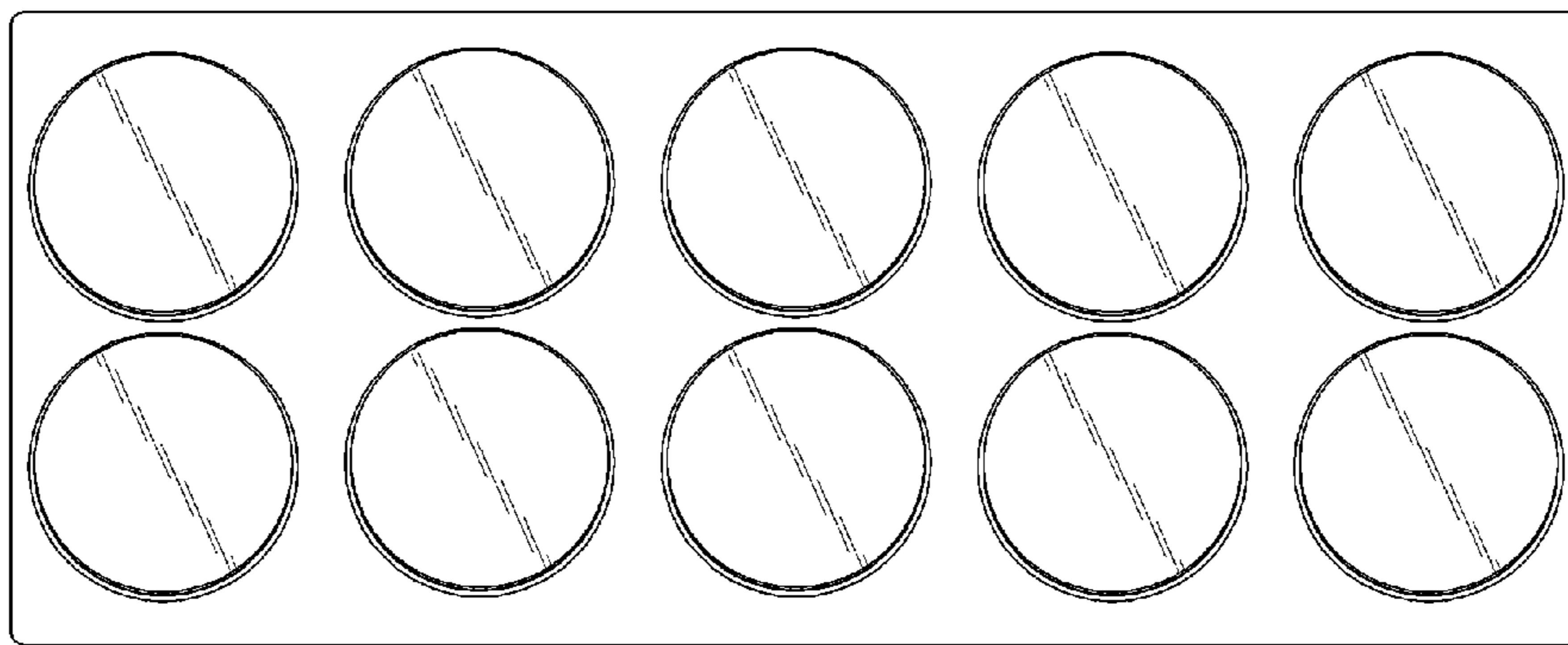


FIG. 3

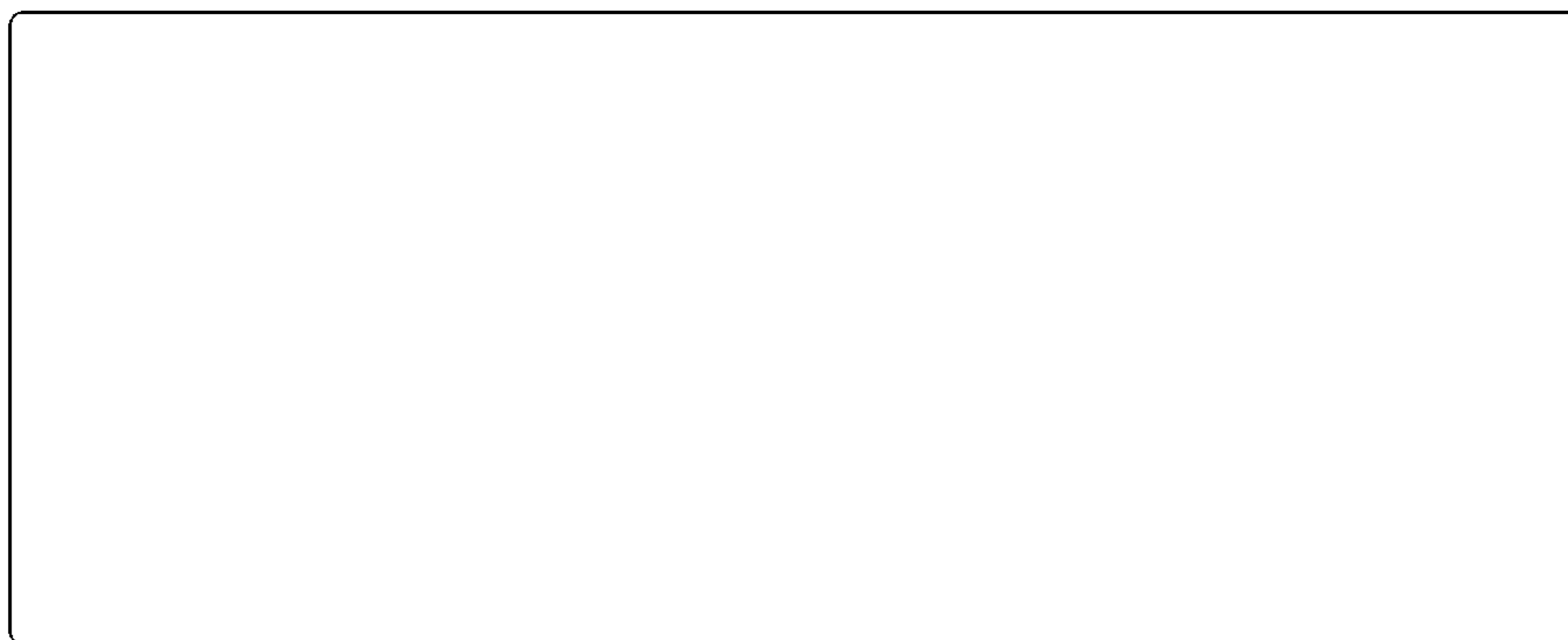


FIG. 4



FIG. 5

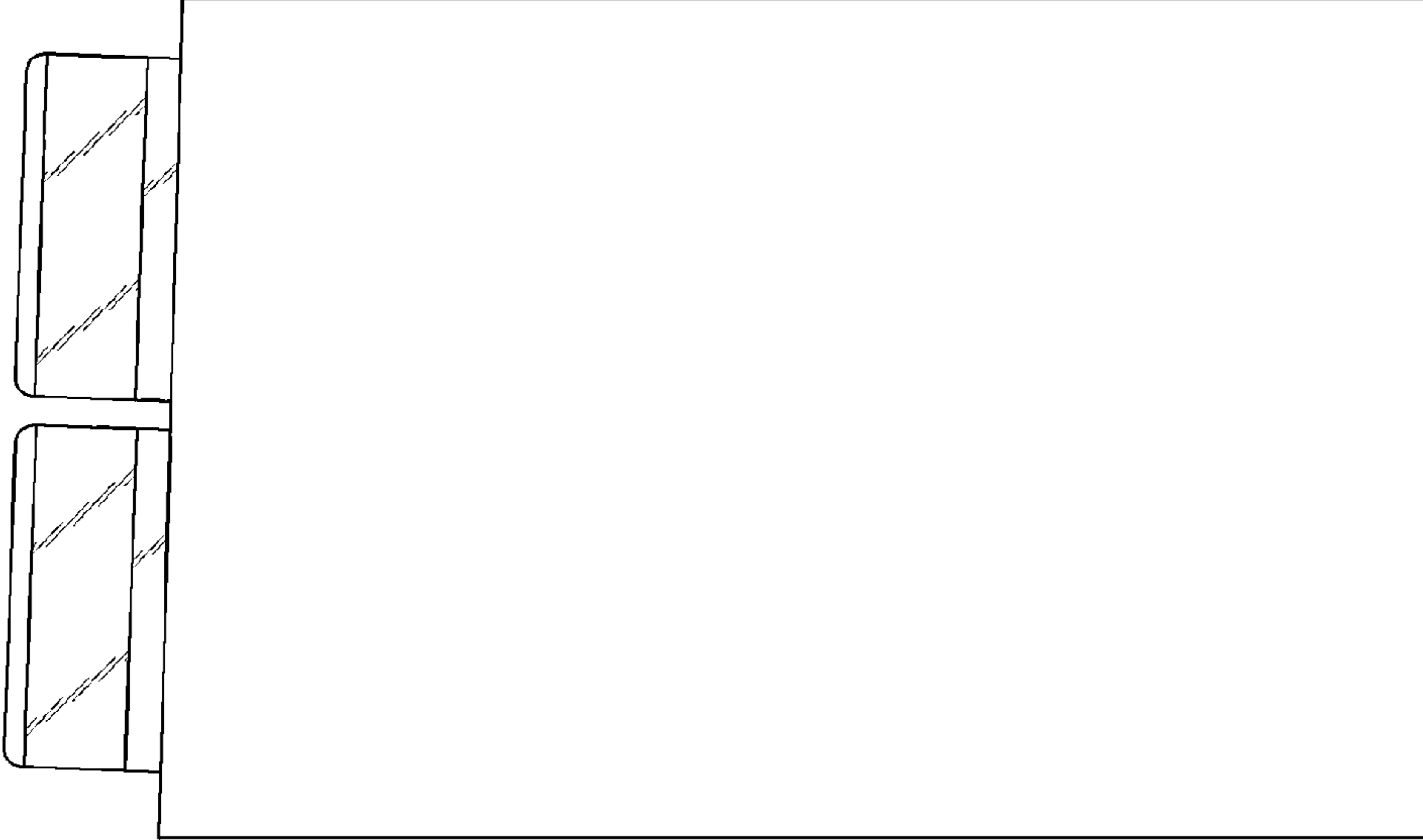


FIG. 6

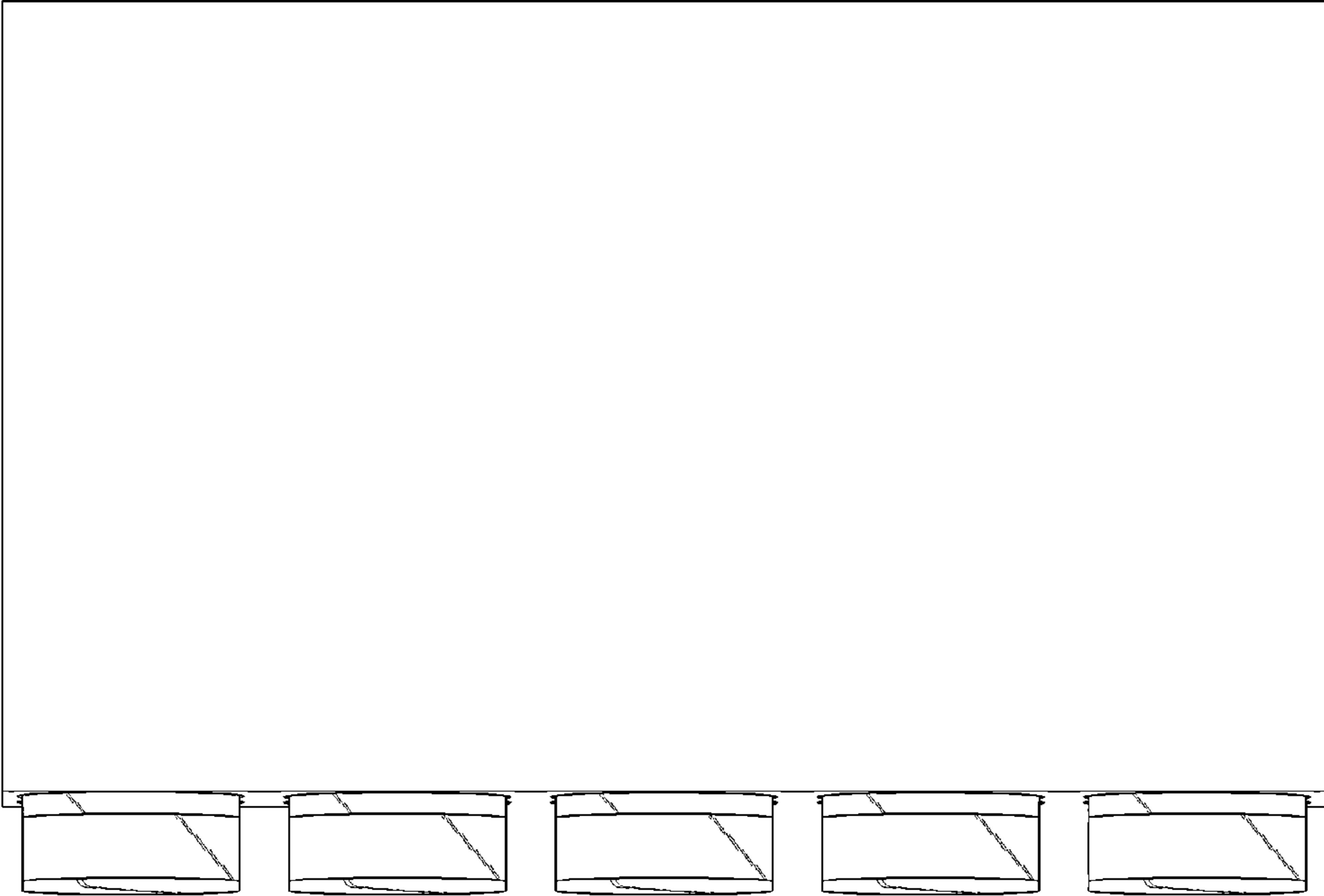


FIG. 7

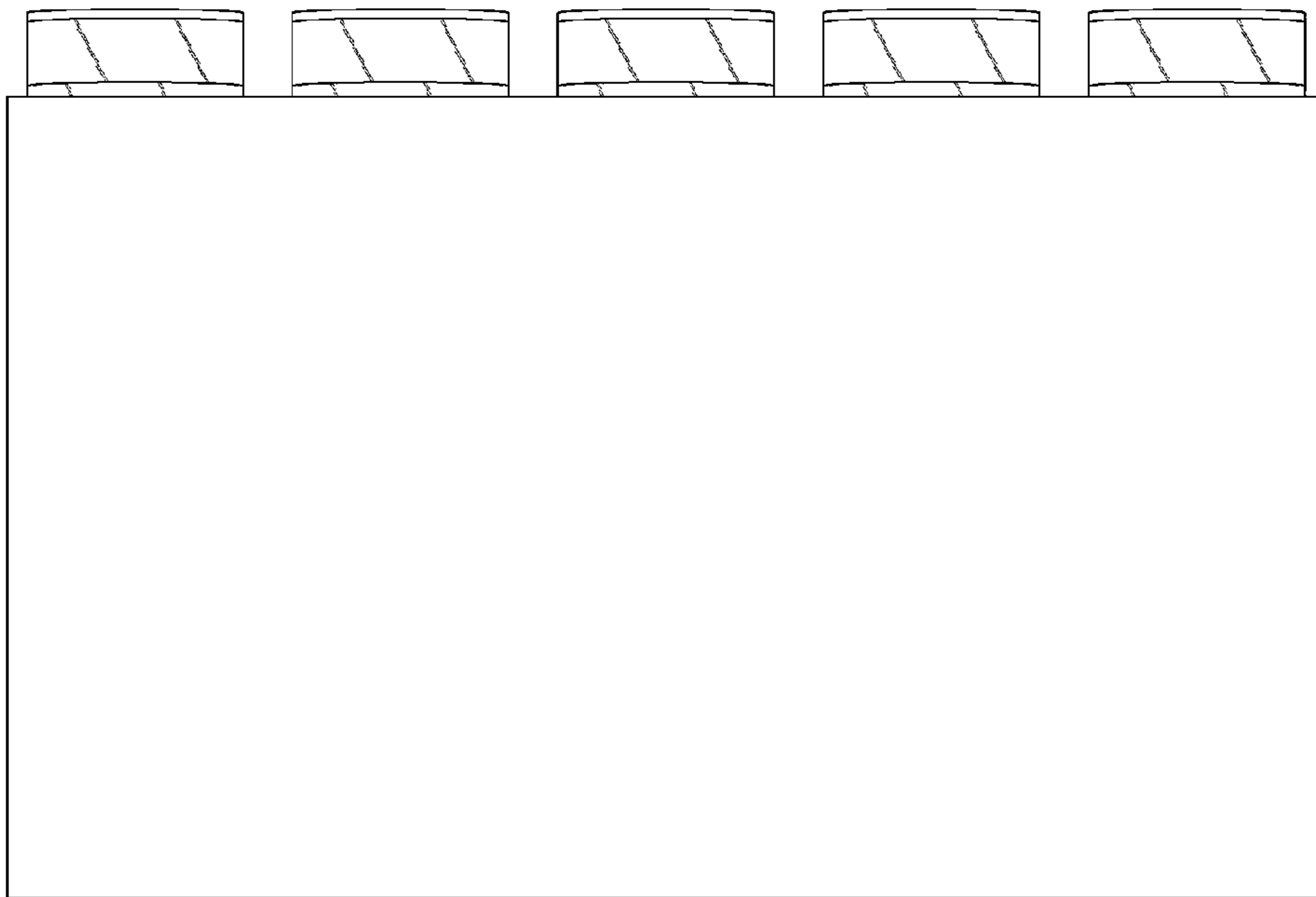


FIG.8

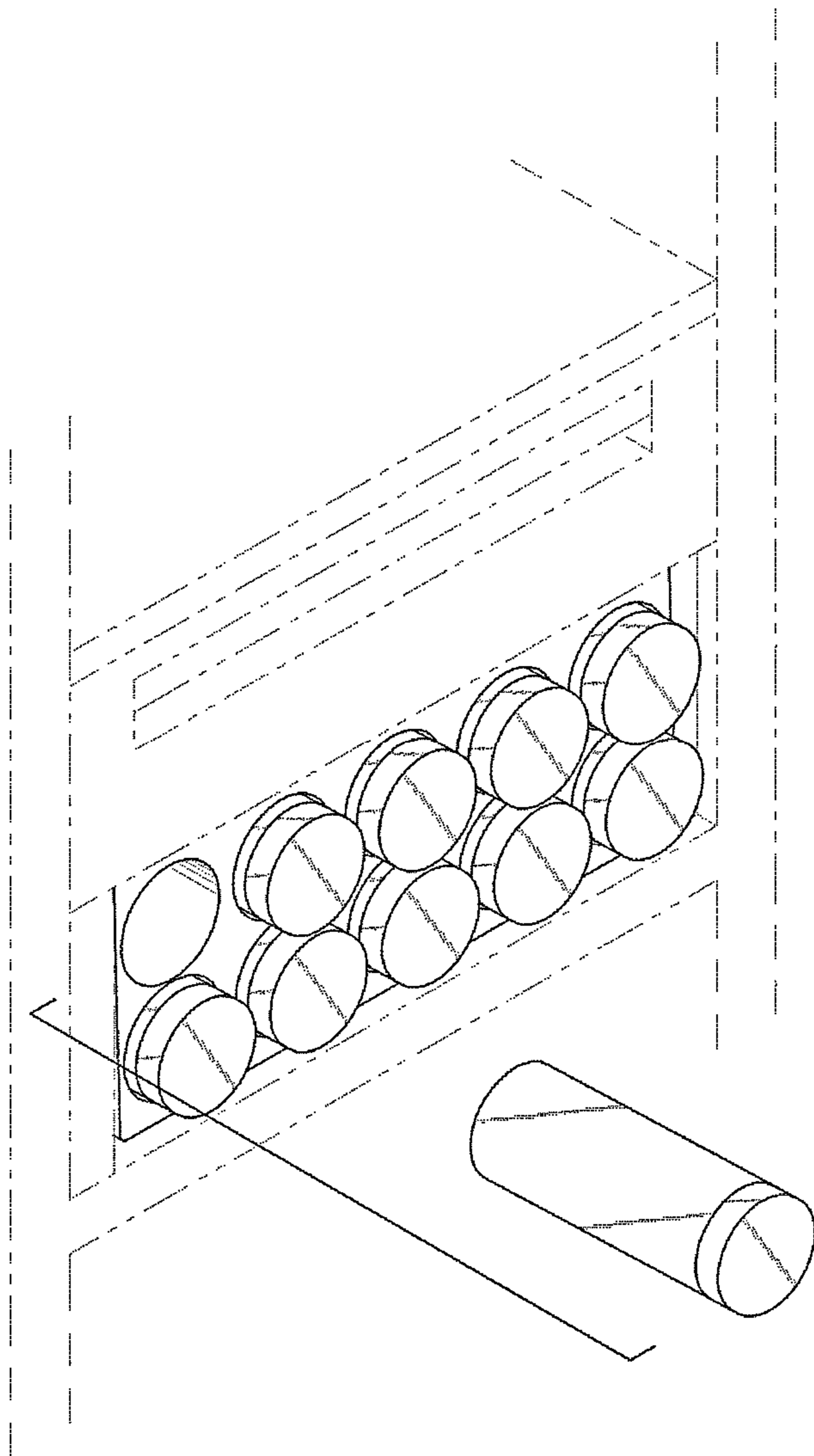


FIG. 9

