



US00D739180S

(12) **United States Design Patent**
Beardsell

(10) **Patent No.:** **US D739,180 S**

(45) **Date of Patent:** **** Sep. 22, 2015**

(54) **SHAKER BOTTLE**

(71) Applicant: **Rick Beardsell**, Manchester (GB)

(72) Inventor: **Rick Beardsell**, Manchester (GB)

(**) Term: **14 Years**

(21) Appl. No.: **29/488,234**

(22) Filed: **Apr. 17, 2014**

(51) **LOC (10) Cl.** **07-01**

(52) **U.S. Cl.**
USPC **D7/511; D7/510**

(58) **Field of Classification Search**
USPC D7/300.1, 510, 511, 524, 537; 215/388;
220/703, 705, 713, 711

CPC A47G 19/22; A47G 19/2222
See application file for complete search history.

(56) **References Cited**

U.S. PATENT DOCUMENTS

2,905,351	A *	9/1959	Lerner	215/376
4,448,316	A *	5/1984	Hiroshige	215/388
D283,866	S *	5/1986	Campbell	D7/524
D421,547	S *	3/2000	Demers	D7/510
D436,800	S *	1/2001	Nowak et al.	D7/392.1
D448,244	S *	9/2001	Thomas	D7/510
D454,755	S *	3/2002	Jørgensen	D7/510
D604,991	S *	12/2009	Ablo	D7/510
D623,477	S *	9/2010	Ross	D7/524
D625,561	S *	10/2010	Ablo	D7/511
D641,631	S *	7/2011	Kawahara et al.	D9/503
D644,065	S *	8/2011	Llerena	D7/510
D651,044	S *	12/2011	Gilbert	D7/510
D660,083	S *	5/2012	Tyler et al.	D7/510
D666,047	S *	8/2012	Lin	D7/300.1

D674,497	S *	1/2013	Smith	D24/197
D683,189	S *	5/2013	Thomas	D7/511
D683,575	S *	6/2013	Devlin	D7/300.1
D686,453	S *	7/2013	Smiedt et al.	D7/510
D687,677	S *	8/2013	Sturgess	D7/510
D702,474	S *	4/2014	Scherer et al.	D7/300.1
D705,607	S *	5/2014	Zorovich et al.	D7/523
D715,099	S *	10/2014	Lv	D7/510
D724,894	S *	3/2015	Brosius	D7/510

* cited by examiner

Primary Examiner — Marianne Pandozzi

(74) *Attorney, Agent, or Firm* — Thedford I. Hitaffer; Hitaffer & Hitaffer, PLLC

(57) **CLAIM**

The ornamental design for a shaker bottle, as shown and described.

DESCRIPTION

FIG. 1 is a front view of the shaker bottle, in a closed position, with the top and the bottom of the shaker bottle separated.

FIG. 2 is a rear view of the shaker bottle shown in FIG. 1.

FIG. 3 is a top plan view of the shaker bottle shown in FIG. 1.

FIG. 4 is a right side elevational view of the shaker bottle shown in FIG. 1, with the left side being the mirror image thereof.

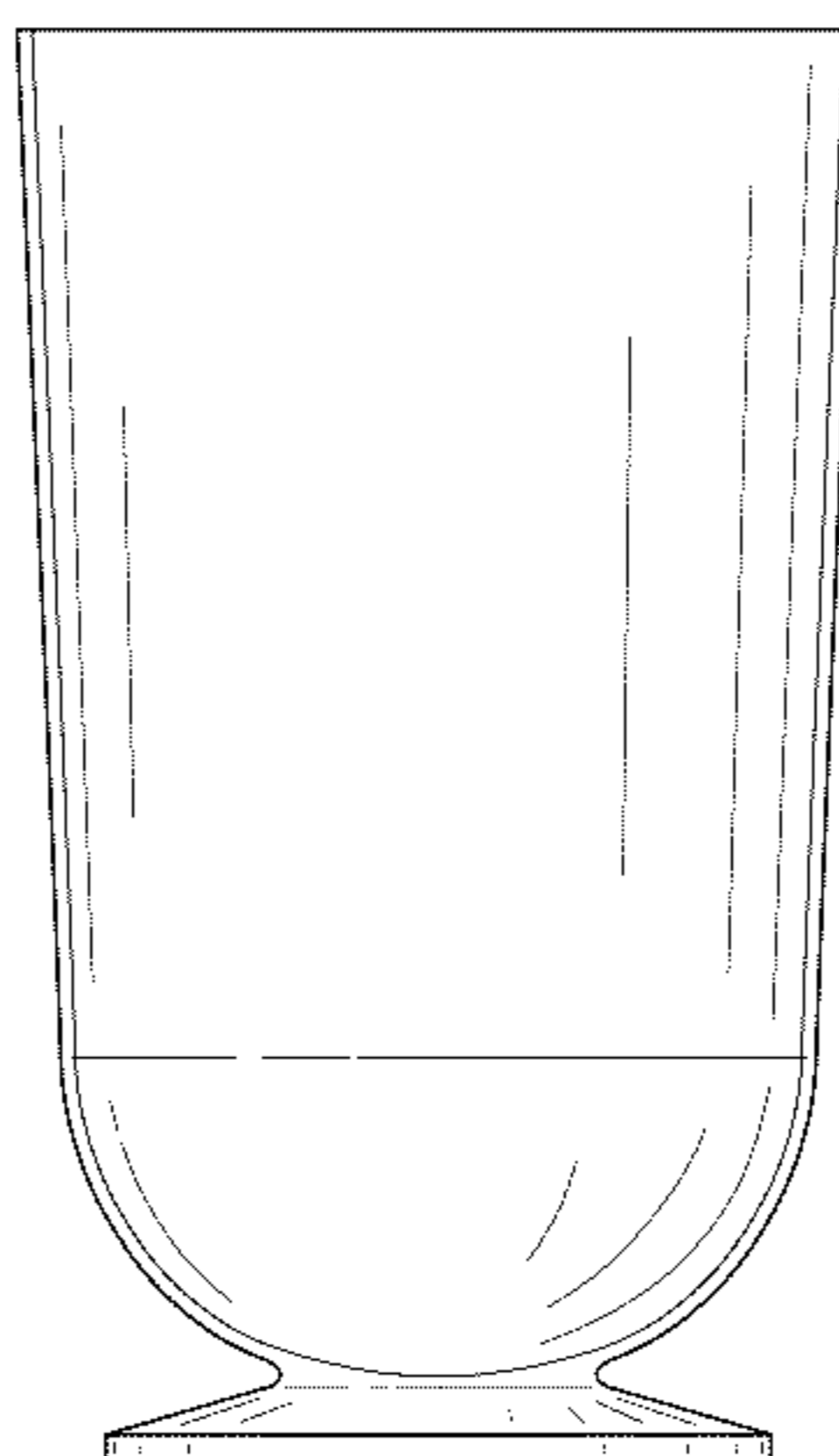
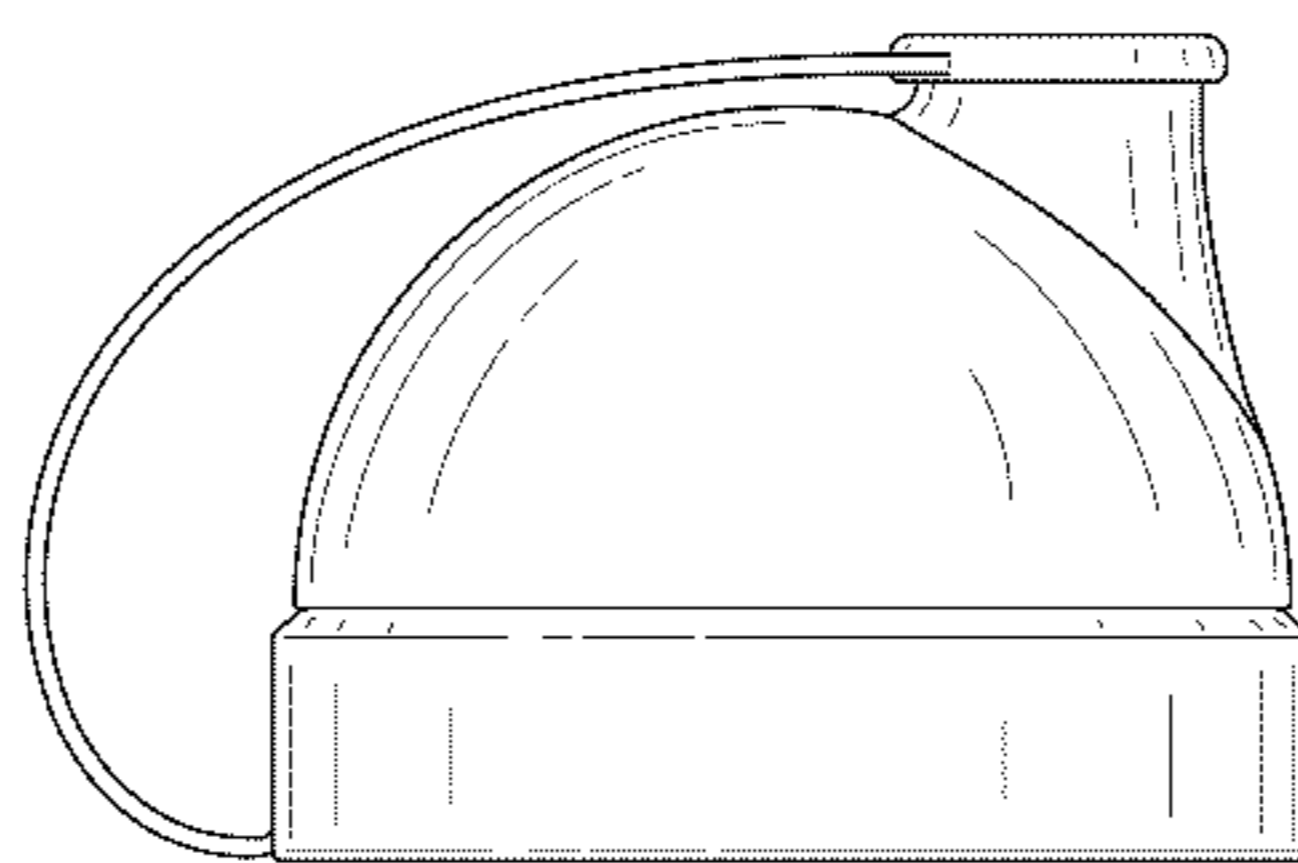
FIG. 5 is a front view of the shaker bottle with the lid in open position;

FIG. 6 is a rear view of the shaker bottle shown in FIG. 5.

FIG. 7 is a top plan view of the shaker bottle shown in FIG. 5; and,

FIG. 8 is a right side elevational view of the shaker bottle shown in FIG. 5, with the left side being the mirror image thereof.

1 Claim, 8 Drawing Sheets



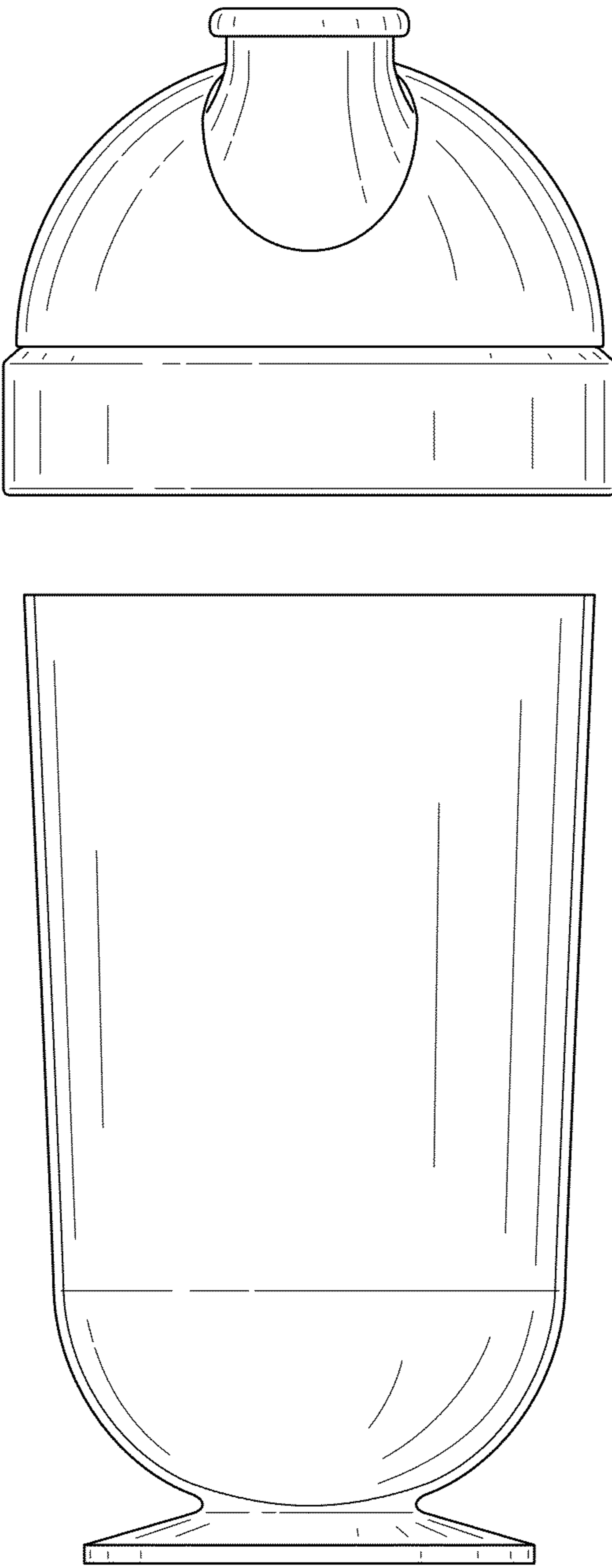


FIG. 1

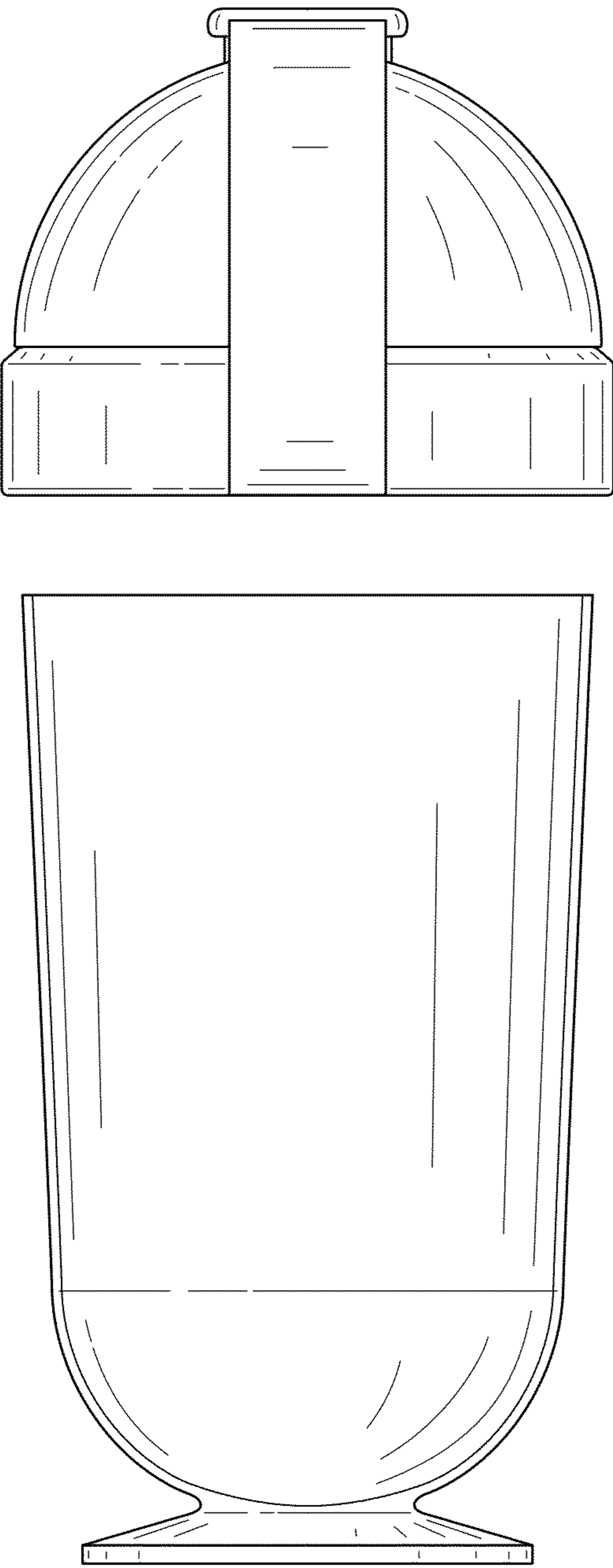


FIG. 2

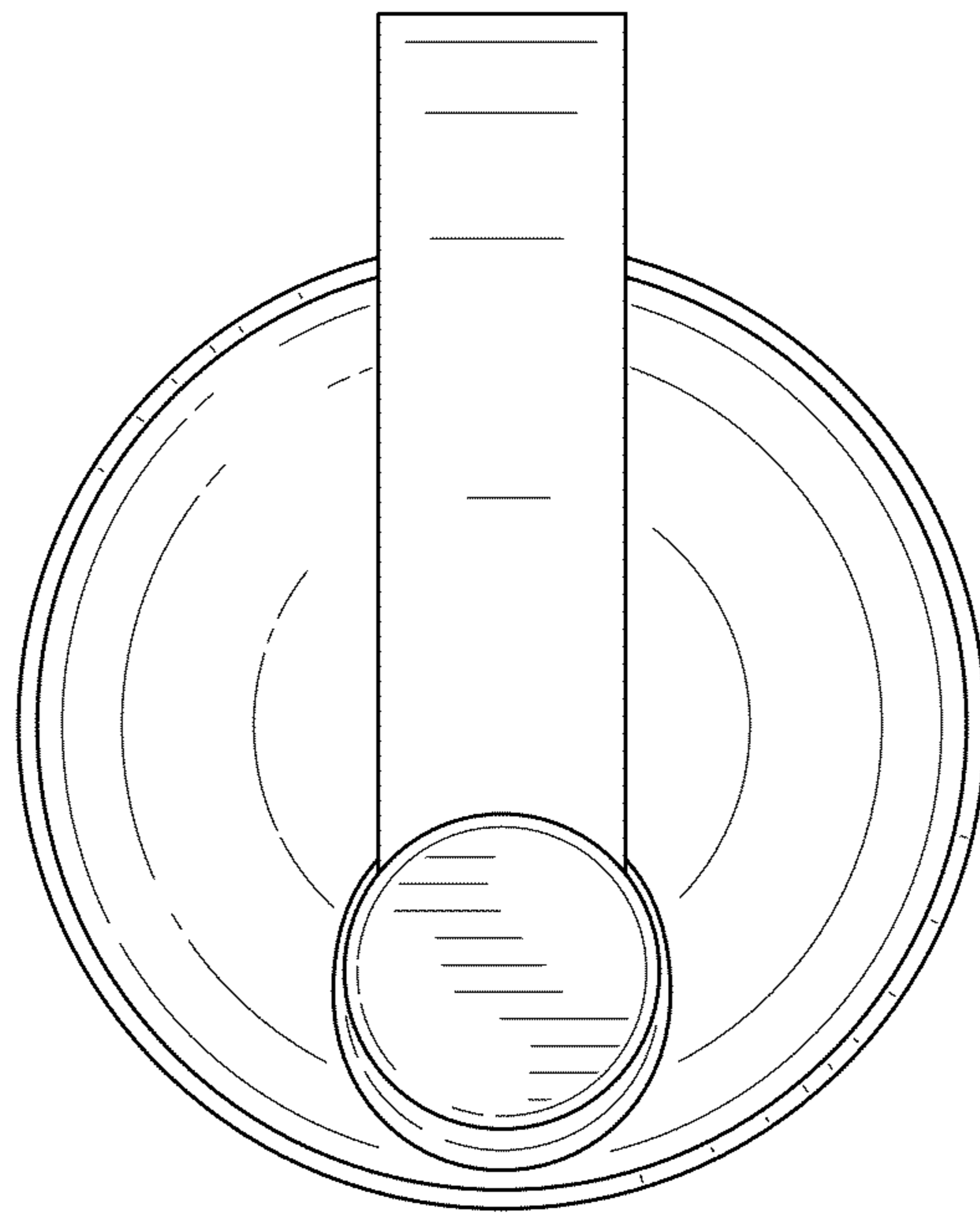


FIG. 3

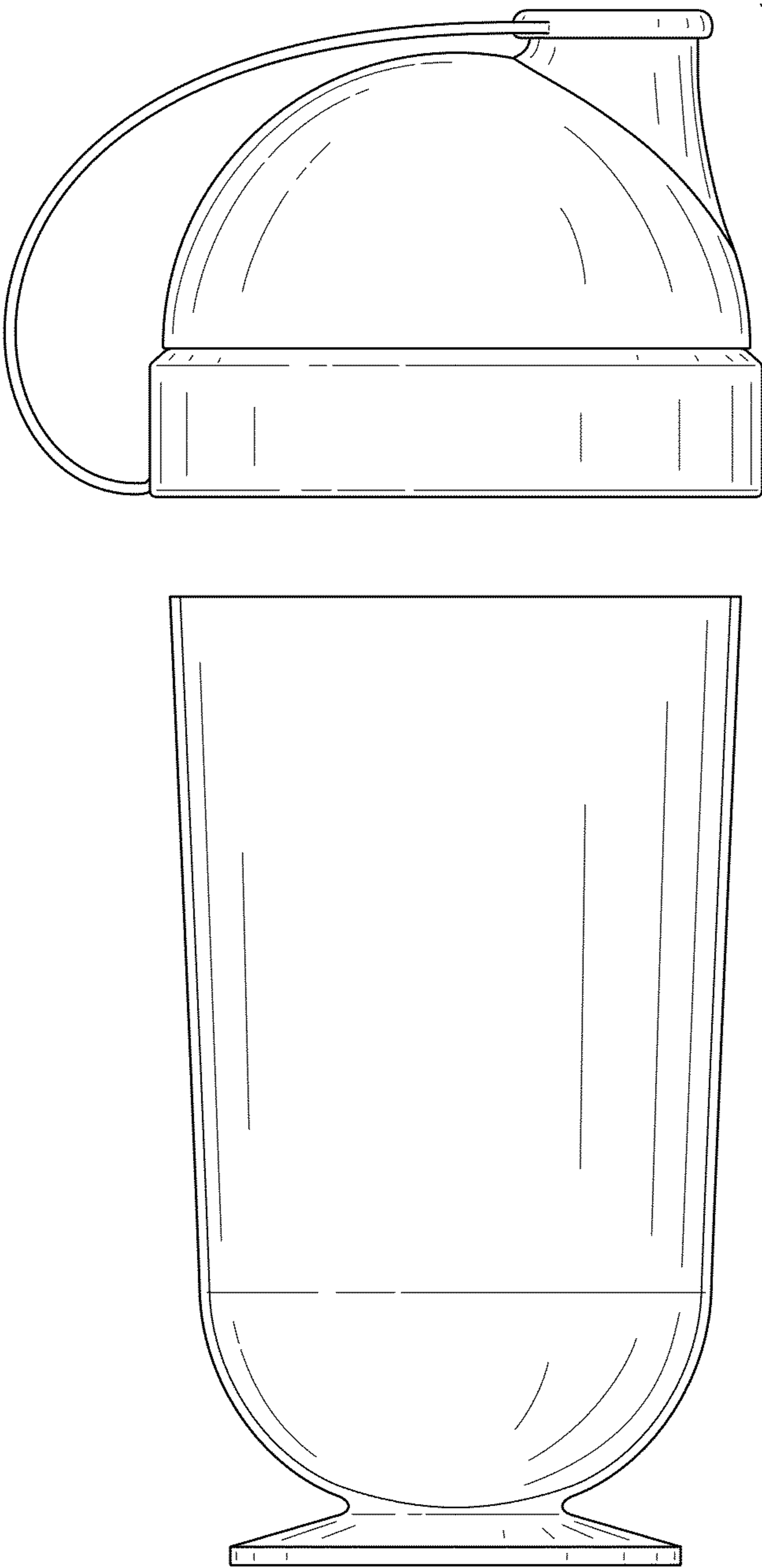
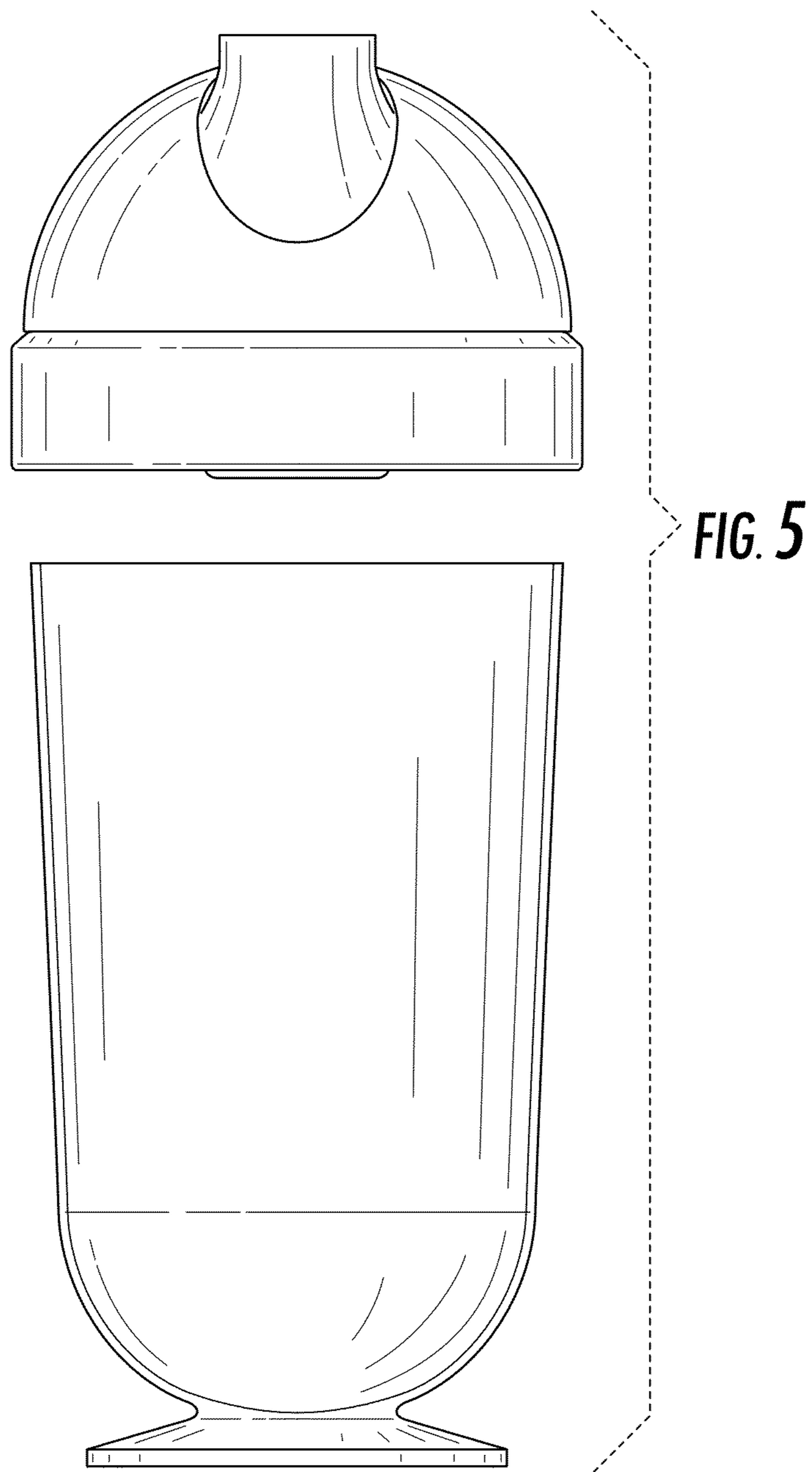


FIG. 4



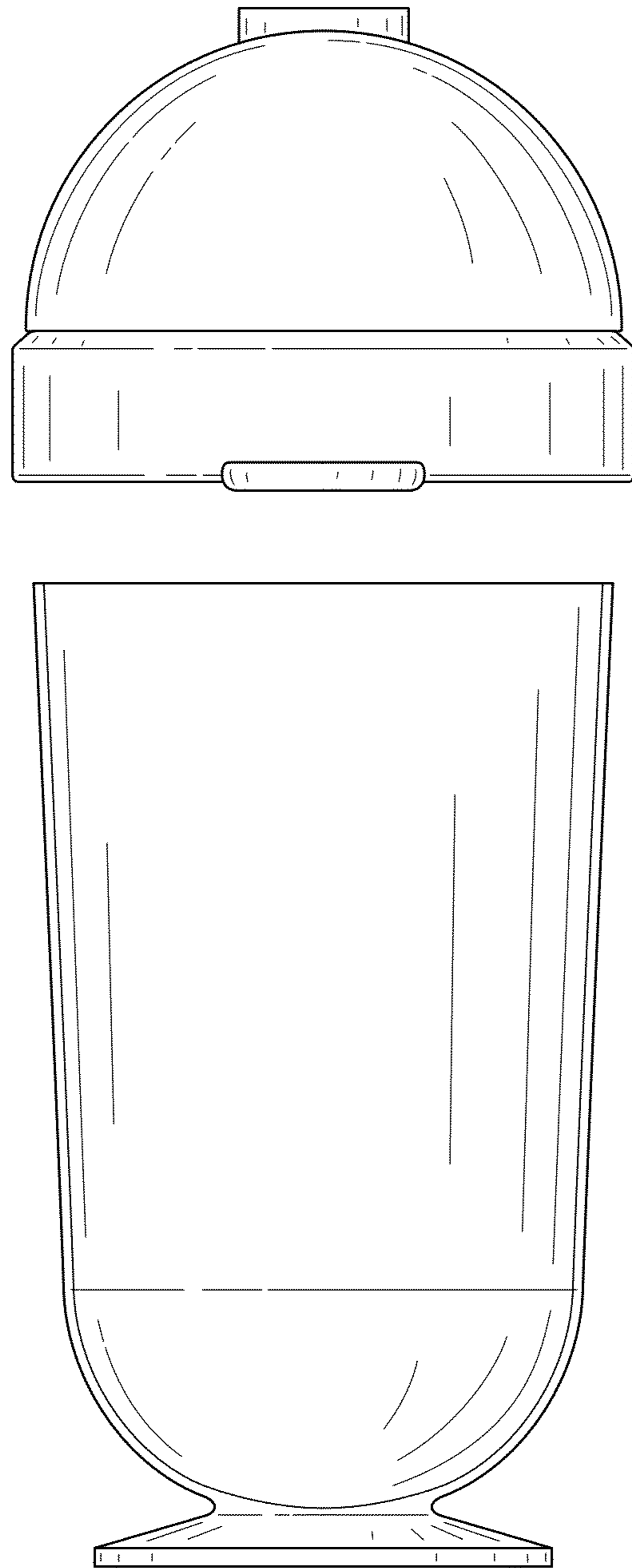


FIG. 6

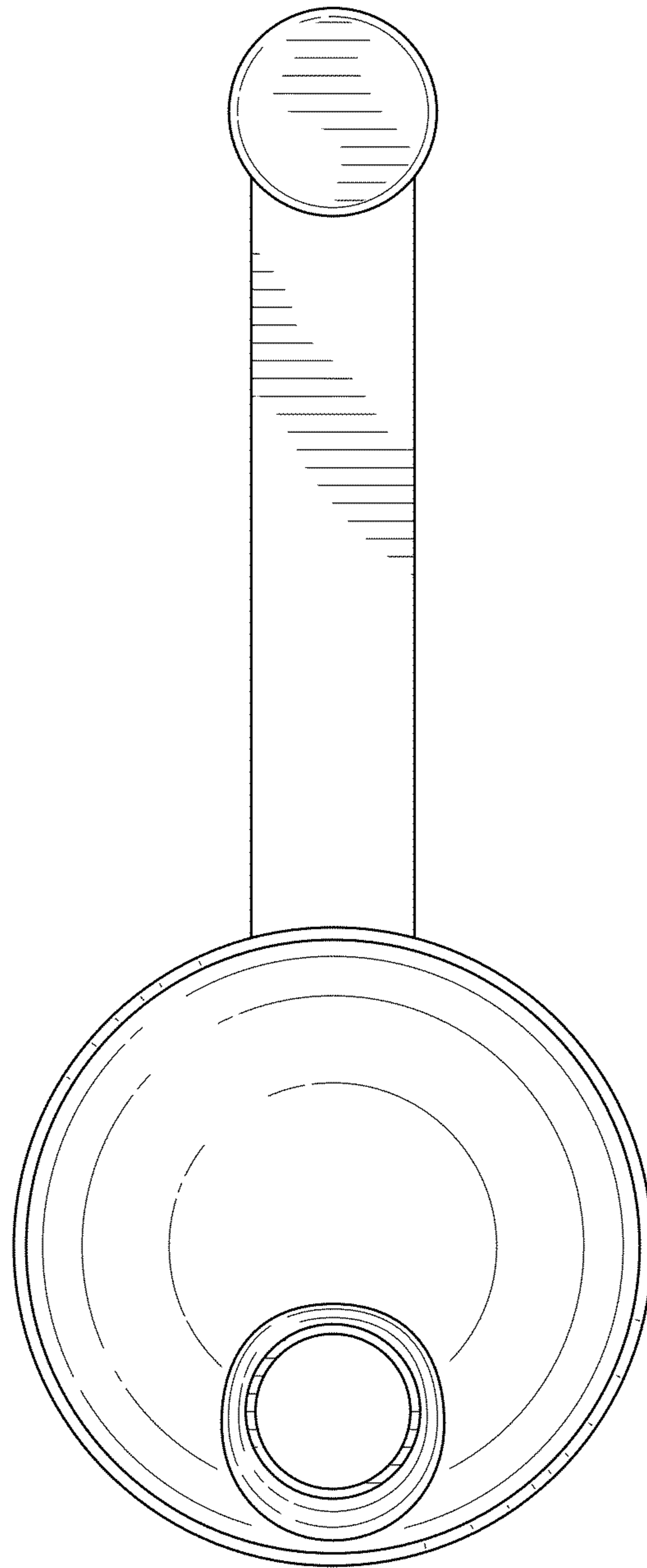


FIG. 7

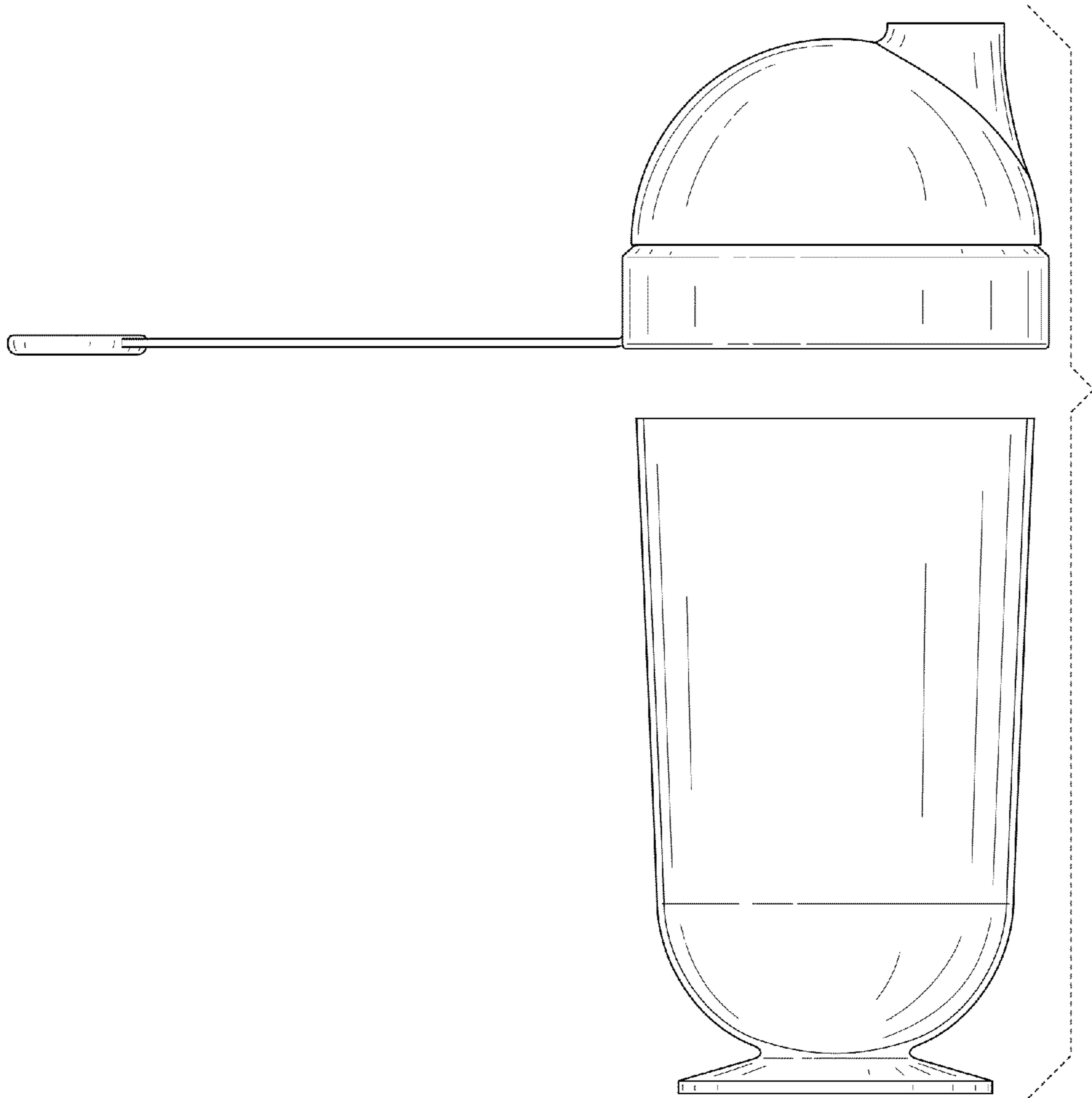


FIG. 8