

US00D739177S

(12) **United States Design Patent**  
**Wu**

(10) **Patent No.:** **US D739,177 S**

(45) **Date of Patent:** **\*\* Sep. 22, 2015**

- (54) **WATER BOTTLE**
- (71) Applicant: **SIENNA GROUP CORPORATION,**  
Taichung (TW)
- (72) Inventor: **Chen-Kuei Wu,** Taichung (TW)
- (73) Assignee: **SIENNA GROUP CORPORATION,**  
Taichung (TW)
- (\*\*) Term: **14 Years**
- (21) Appl. No.: **29/499,508**
- (22) Filed: **Aug. 15, 2014**
- (51) **LOC (10) Cl.** ..... **07-01**
- (52) **U.S. Cl.**  
USPC ..... **D7/510; D7/511; D12/411; D12/114**
- (58) **Field of Classification Search**  
USPC ..... **D7/523, 532, 507, 509, 514, 515, 524,**  
**D7/516, 519, 533, 535, 536, 525, 610.2,**  
**D7/606, 529, 510, 511, 300.1; 220/713,**  
**220/703, 592.16; 215/382; D12/411, 114;**  
**248/311.2, 230.1; 224/414**  
CPC ..... **A47G 19/2205; A47J 39/00; B65H 75/40;**  
**B65D 25/24**  
See application file for complete search history.

D271,852	S	*	12/1983	Kimura	.....	D12/411
4,441,638	A	*	4/1984	Shimano	.....	224/414
4,998,652	A	*	3/1991	Champagne	.....	224/414
D316,389	S	*	4/1991	Wood et al.	.....	D12/411
D319,421	S	*	8/1991	Kerezman	.....	D12/411
D340,217	S	*	10/1993	Delage et al.	.....	D12/411
5,788,134	A	*	8/1998	Matic, Jr.	.....	224/414
6,401,997	B1	*	6/2002	Smerdon, Jr.	.....	224/414
6,457,691	B1	*	10/2002	Kao	.....	248/311.2
6,953,135	B2	*	10/2005	Litton et al.	.....	224/414
D511,604	S	*	11/2005	Moritz et al.	.....	D99/5
D580,772	S	*	11/2008	Lepoitevin	.....	D9/561
D583,626	S	*	12/2008	Toth et al.	.....	D7/510
D588,856	S	*	3/2009	Toth et al.	.....	D7/313
8,777,075	B2	*	7/2014	Bretl et al.	.....	224/414
D716,657	S	*	11/2014	Caneer	.....	D9/443

\* cited by examiner

*Primary Examiner* — Marianne Pandozzi

(74) *Attorney, Agent, or Firm* — Jackson IPG PLLC;  
Demian K. Jackson

(57) **CLAIM**

The ornamental design for a water bottle, as shown and described.

**DESCRIPTION**

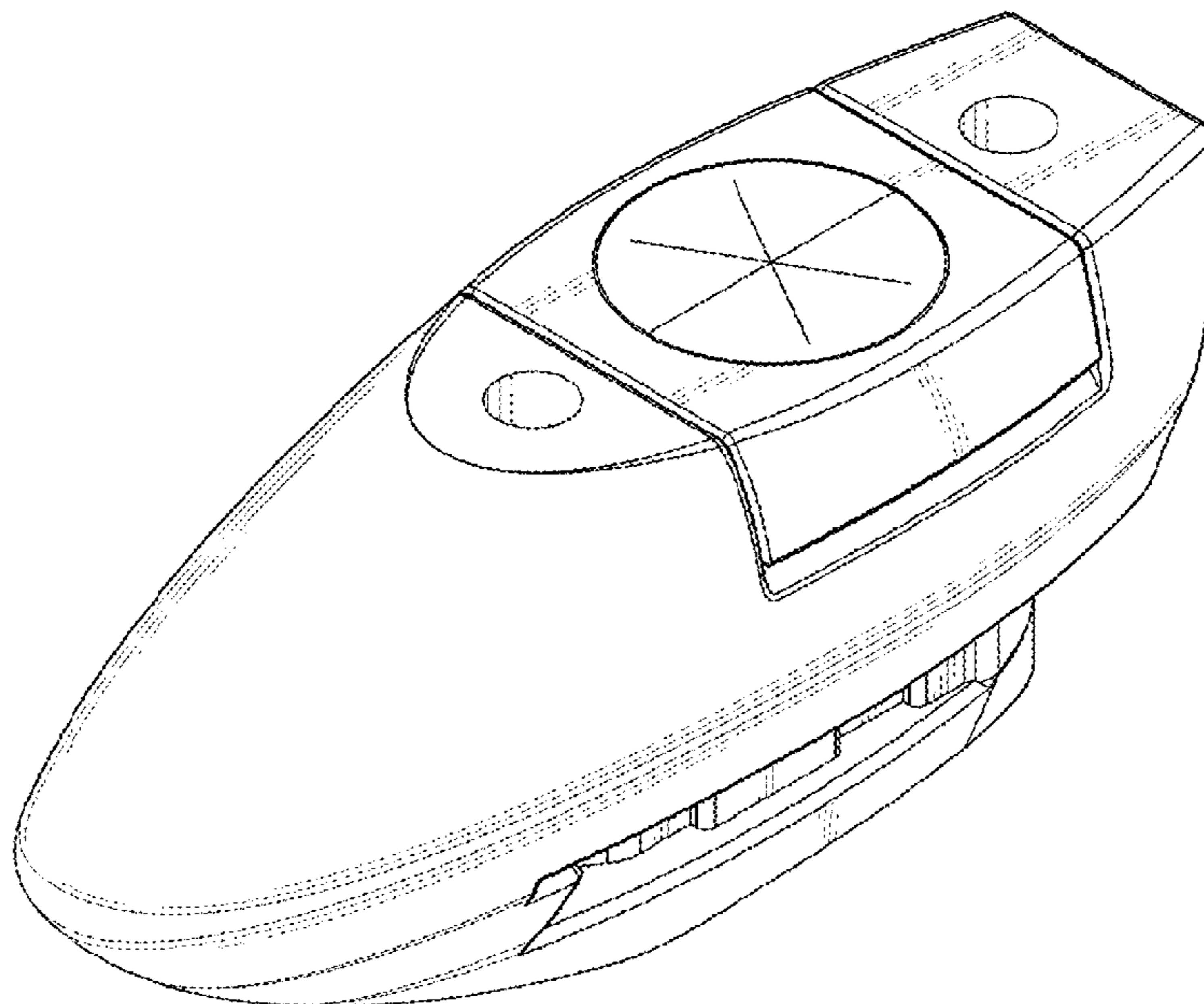
FIG. 1 a perspective view of a water bottle showing my new design;  
 FIG. 2 is a front elevation view thereof;  
 FIG. 3 is a rear elevation view thereof;  
 FIG. 4 is a left side view thereof;  
 FIG. 5 is a right side view thereof;  
 FIG. 6 is a top plan view thereof; and,  
 FIG. 7 is a bottom plan view thereof.

**1 Claim, 7 Drawing Sheets**

(56) **References Cited**

U.S. PATENT DOCUMENTS

3,741,429	A	*	6/1973	Purcell et al.	.....	220/475
3,777,955	A	*	12/1973	Davies	.....	224/425
4,095,812	A	*	6/1978	Rowe	.....	280/288.4
4,386,721	A	*	6/1983	Shimano	.....	224/414



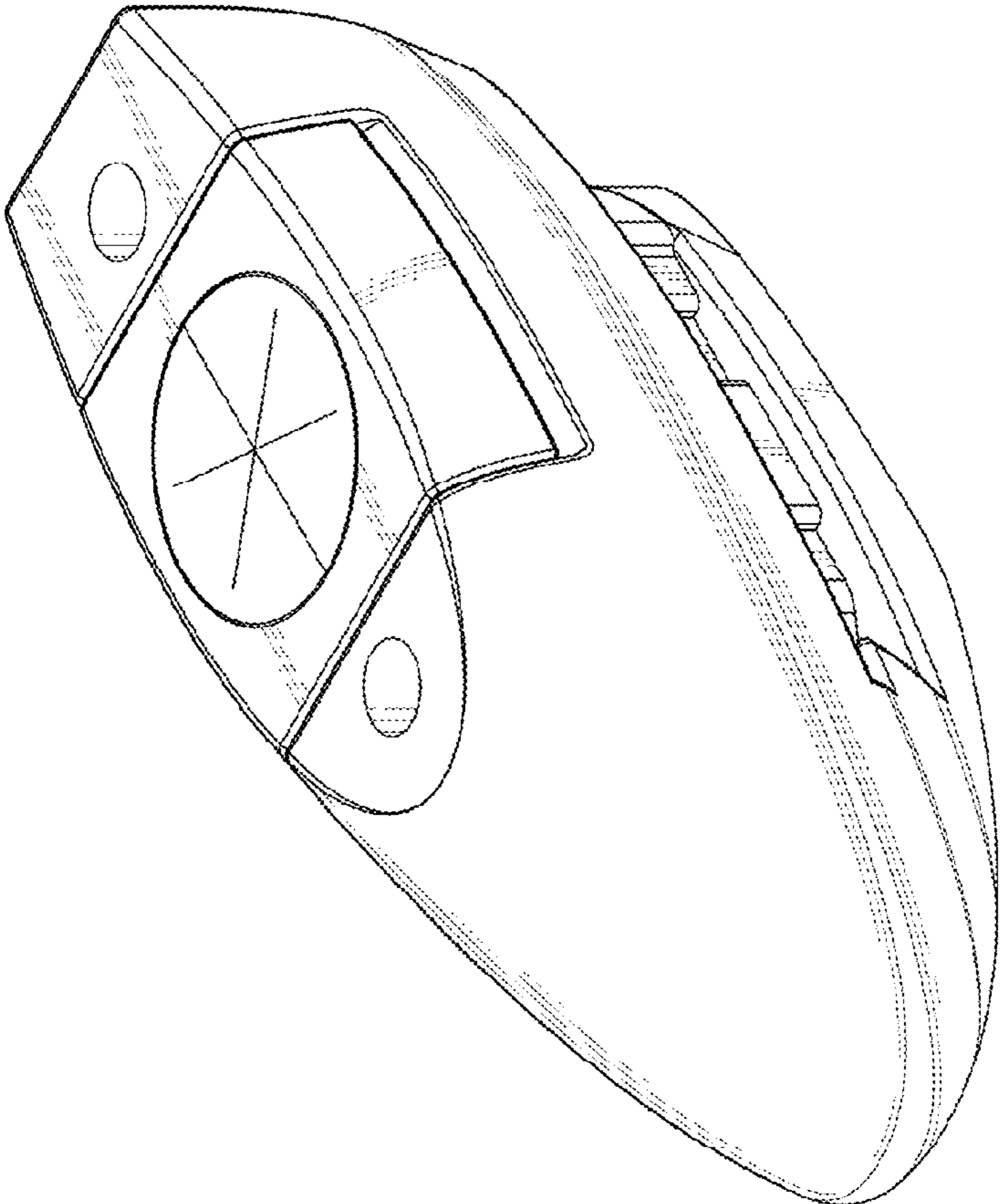


Fig. 1

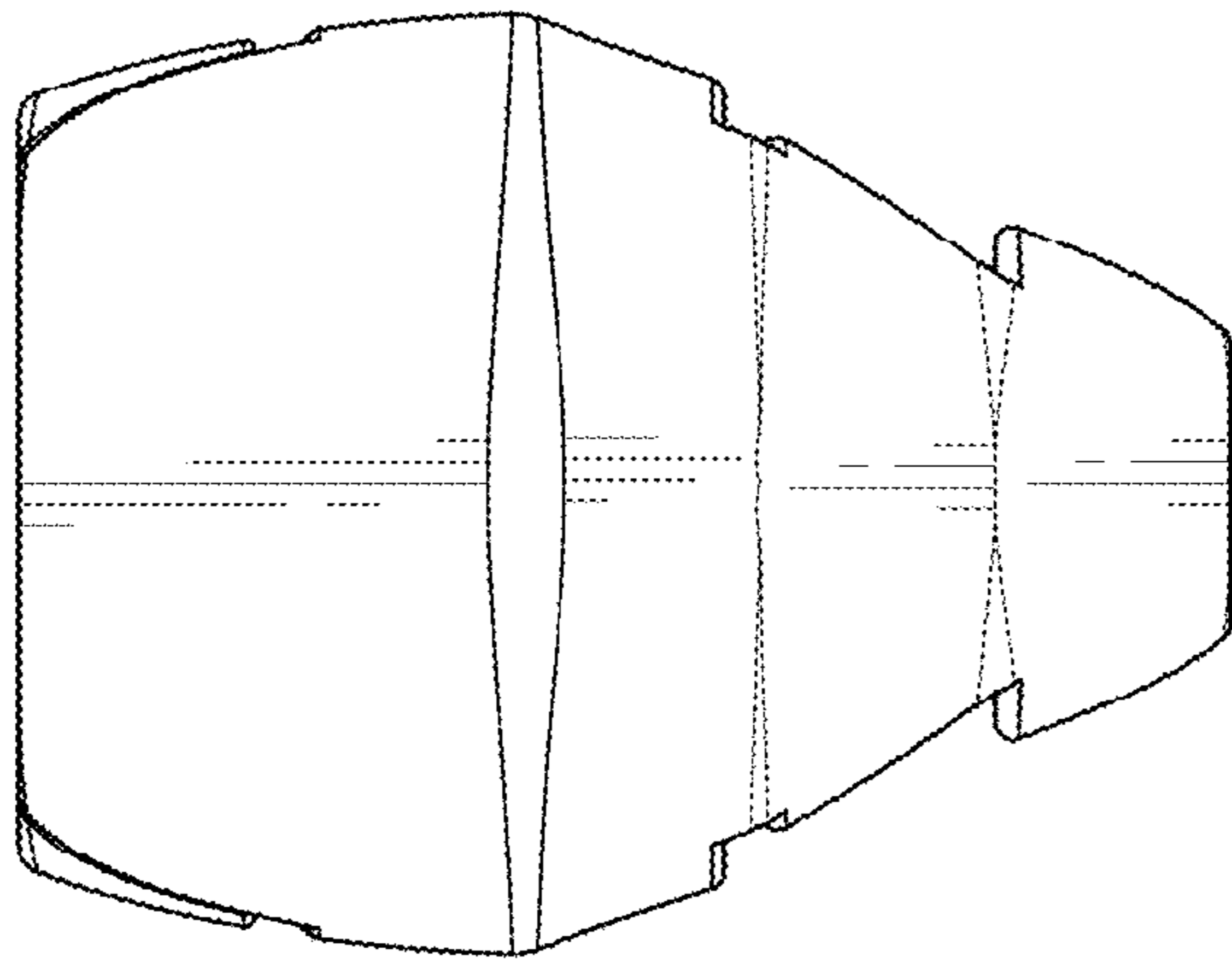


Fig. 2

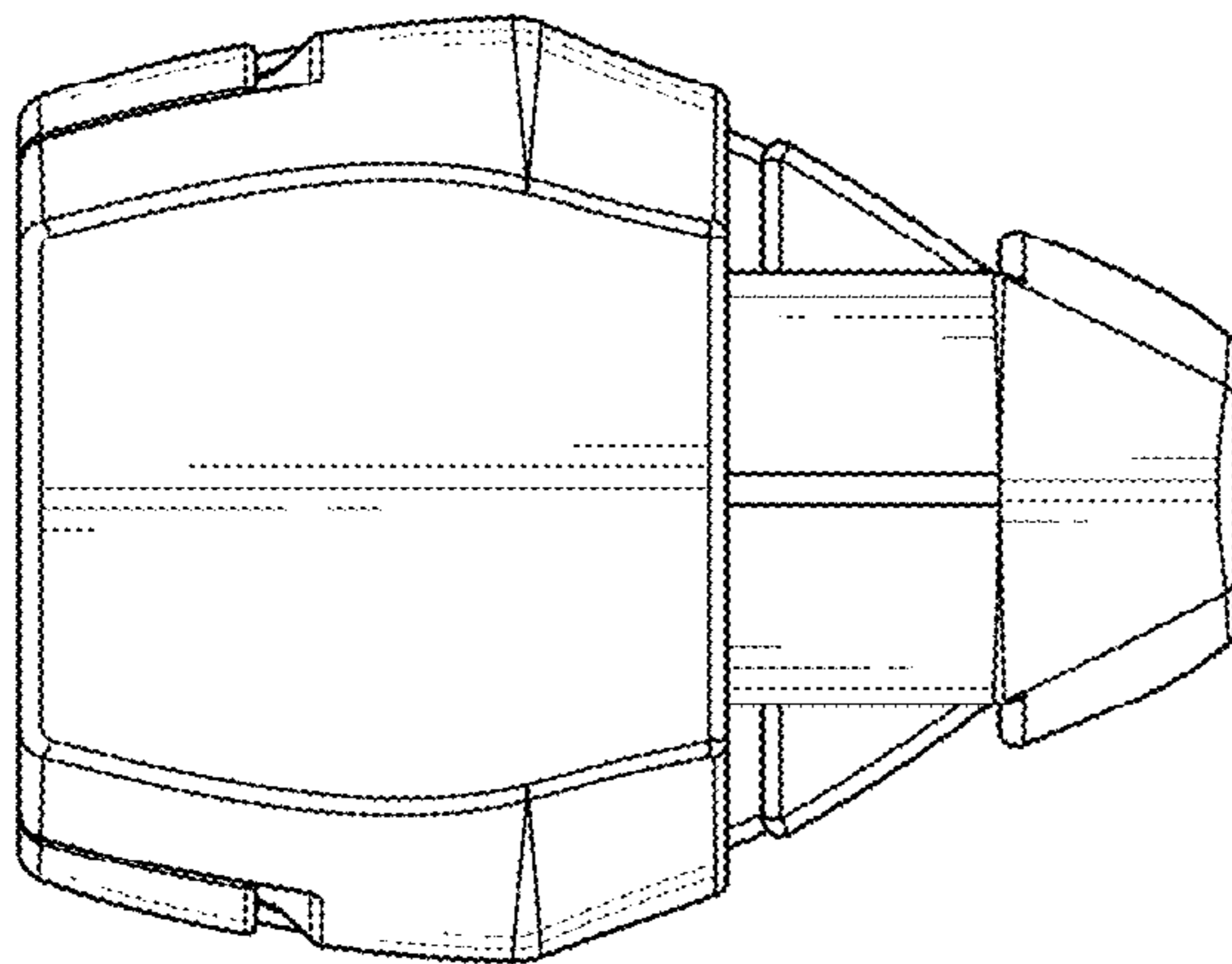


Fig . 3

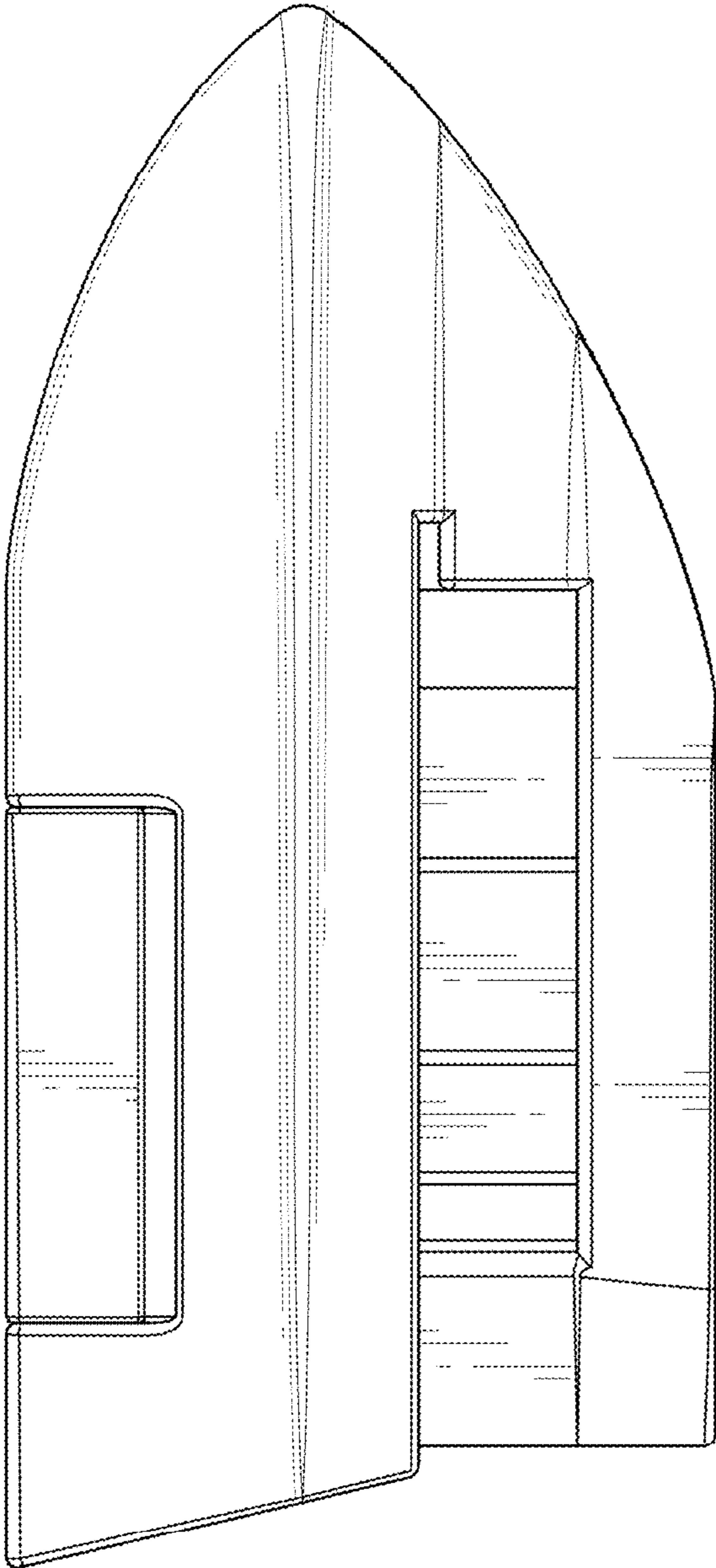


Fig. 4

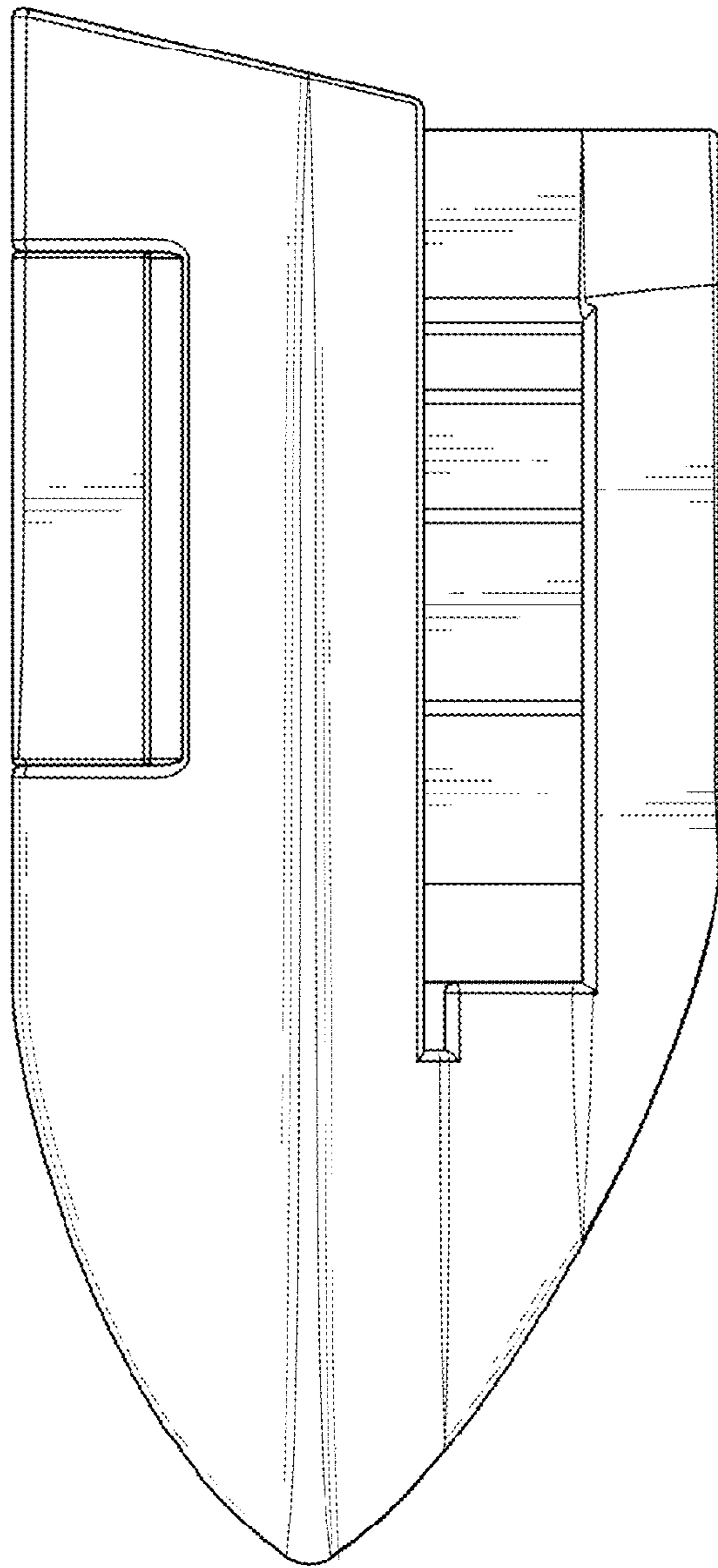


Fig. 5



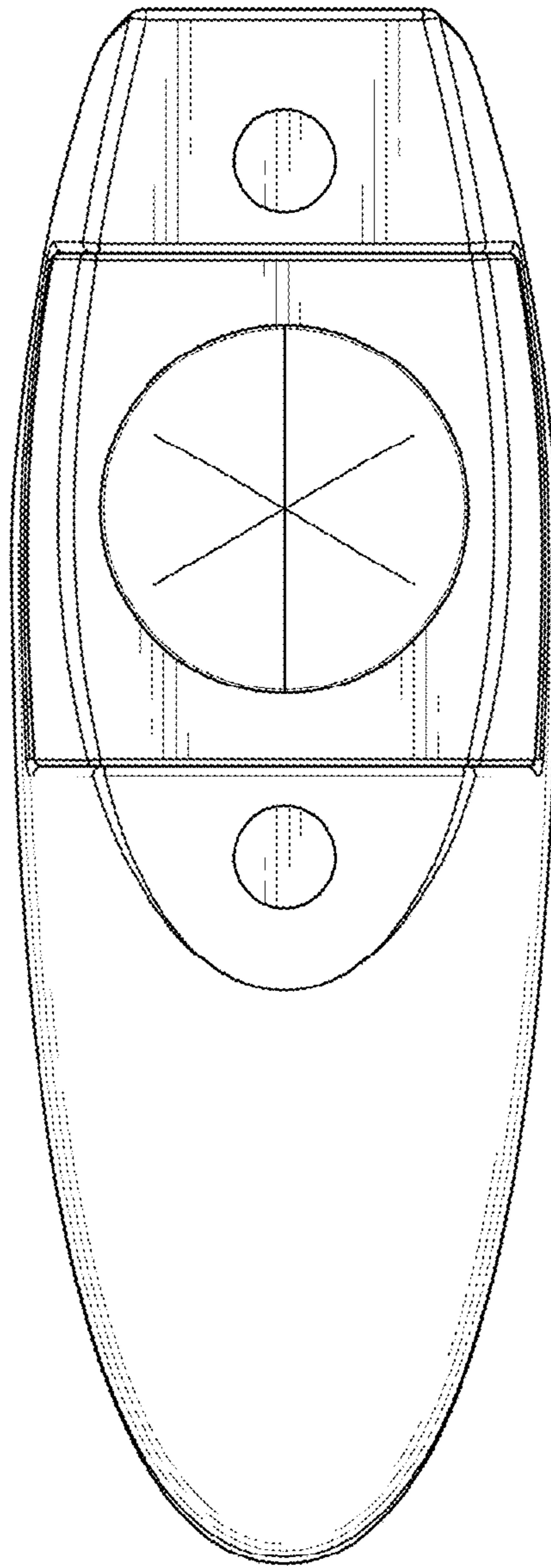


Fig . 6

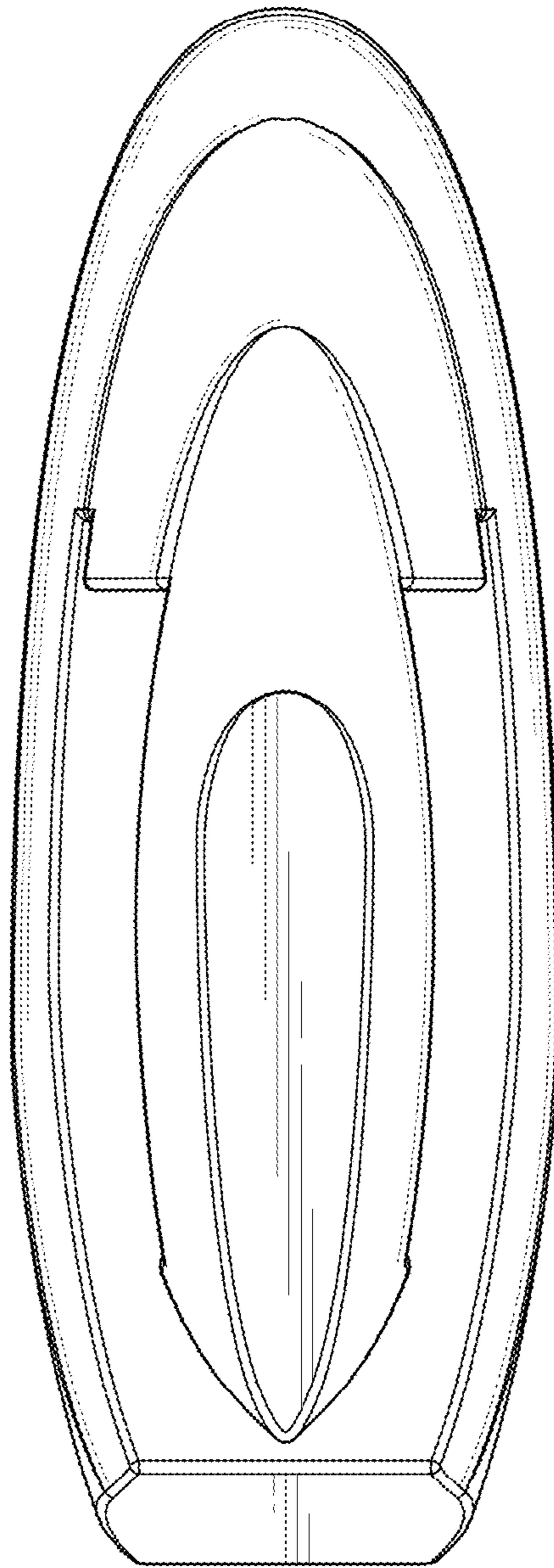


Fig . 7