



US00D739176S

(12) **United States Design Patent**  
**Renforth et al.**

(10) **Patent No.:** **US D739,176 S**  
(45) **Date of Patent:** **\*\* Sep. 22, 2015**

(54) **FOOD BOWL PORTION WITH SUPPORT**

(71) Applicant: **DOSKOCIL MANUFACTURING COMPANY, INC.**, Arlington, TX (US)

(72) Inventors: **Jack W. Renforth**, Azle, TX (US);  
**Norman Anderson**, Brooklyn, NY (US)

(\*\*) Term: **14 Years**

(21) Appl. No.: **29/488,999**

(22) Filed: **Apr. 25, 2014**

(51) **LOC (10) Cl.** ..... **31-00**

(52) **U.S. Cl.**  
USPC ..... **D7/396.6; D7/403; D7/552.2; D7/558; D30/129**

(58) **Field of Classification Search**

USPC ..... D7/396.1, 396.2, 396.5, 396.6, 387, D7/388, 389, 392.1, 399, 393, 396, 403, D7/550.1, 551.1, 552.2, 558, 559, 571, D7/213, 560, 553.6, 505, 500, 507, 541, D7/542, 553.2, 554.3; D30/129, 101, 102, D30/103, 128, 133, 141, 146, 148, 199; D6/365, 372, 310, 311, 688.17, 688.19, D6/654.14, 691.4, 696.1, 708, 708.1, D6/708.11, 708.15, 708.22, 708.25, 709, D6/709.11, 709.17, 710; D21/417; 220/592.15, 495.03; D23/221, 280.4, D23/278, 304, 277, 303; D26/138, 142; D9/548; 215/227, 395, 374, 376, 377; D11/152, 143

CPC .... B65D 23/001; B65D 75/008; A47G 19/00; A47G 21/00

See application file for complete search history.

(56) **References Cited**

**U.S. PATENT DOCUMENTS**

D303,853 S \* 10/1989 Keller ..... D30/129  
D346,421 S \* 4/1994 Martin et al. .... D21/816  
D391,482 S \* 3/1998 Wiemann et al. .... D9/434

D410,817 S \* 6/1999 Brunianyn ..... D7/393  
D478,670 S \* 8/2003 Tsai ..... D24/212  
D528,866 S \* 9/2006 Laib et al. .... D7/565  
D533,783 S \* 12/2006 Kliger et al. .... D9/519  
D551,400 S \* 9/2007 Tsengas ..... D30/133  
D562,726 S \* 2/2008 Courson et al. .... D11/152  
D586,233 S \* 2/2009 Carnduff et al. .... D9/729  
D620,764 S \* 8/2010 Lessells ..... D7/624.2  
D663,624 S \* 7/2012 Eble ..... D9/538  
D664,037 S \* 7/2012 Floyd et al. .... D9/516  
D669,979 S \* 10/2012 Adams ..... D24/123  
2010/0219152 A1 \* 9/2010 Derrien et al. .... 215/374  
2014/0069884 A1 \* 3/2014 Paredes ..... 215/10

\* cited by examiner

*Primary Examiner* — Marianne Pandozzi

*Assistant Examiner* — Jae Liang

(74) *Attorney, Agent, or Firm* — Global IP Counselors, LLP

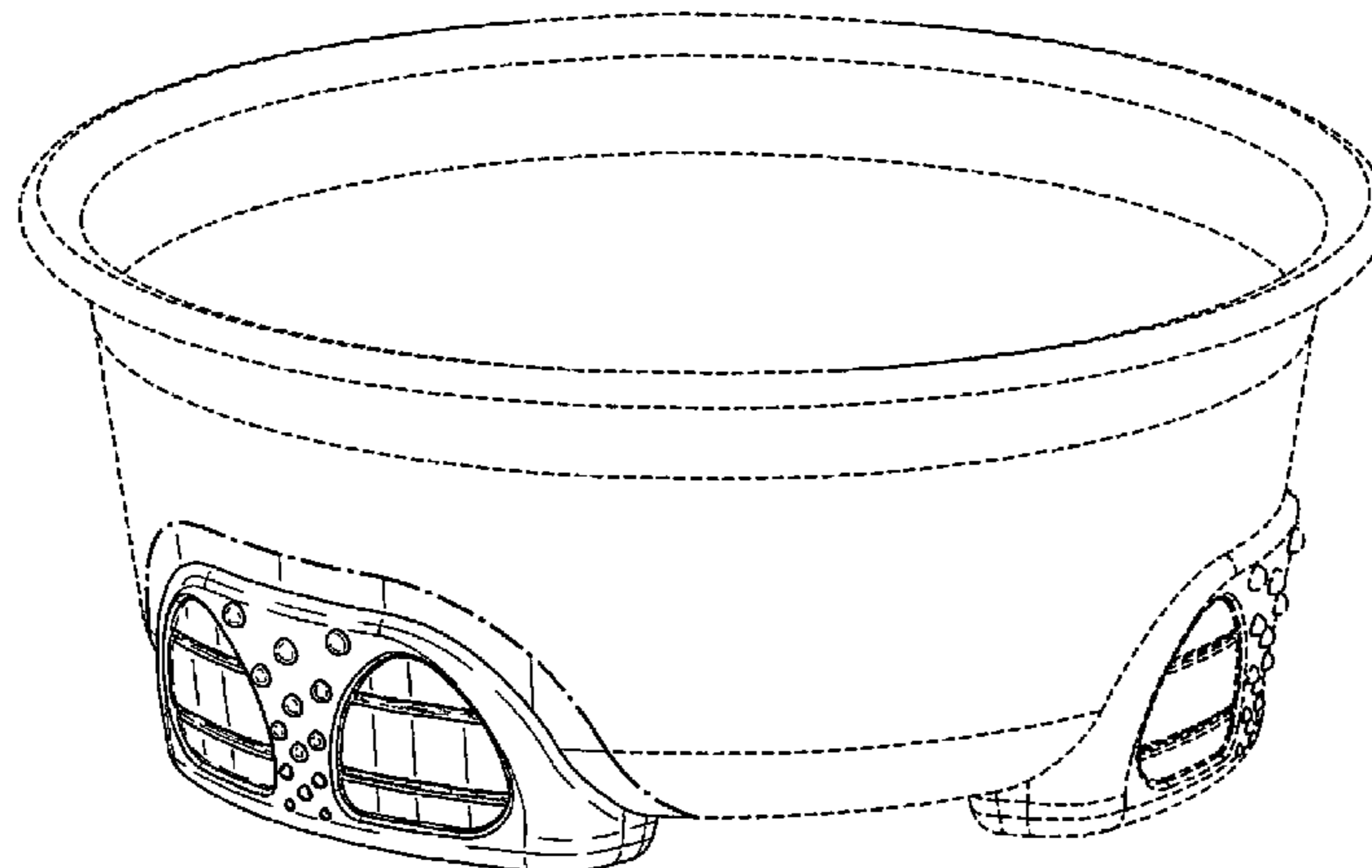
(57) **CLAIM**

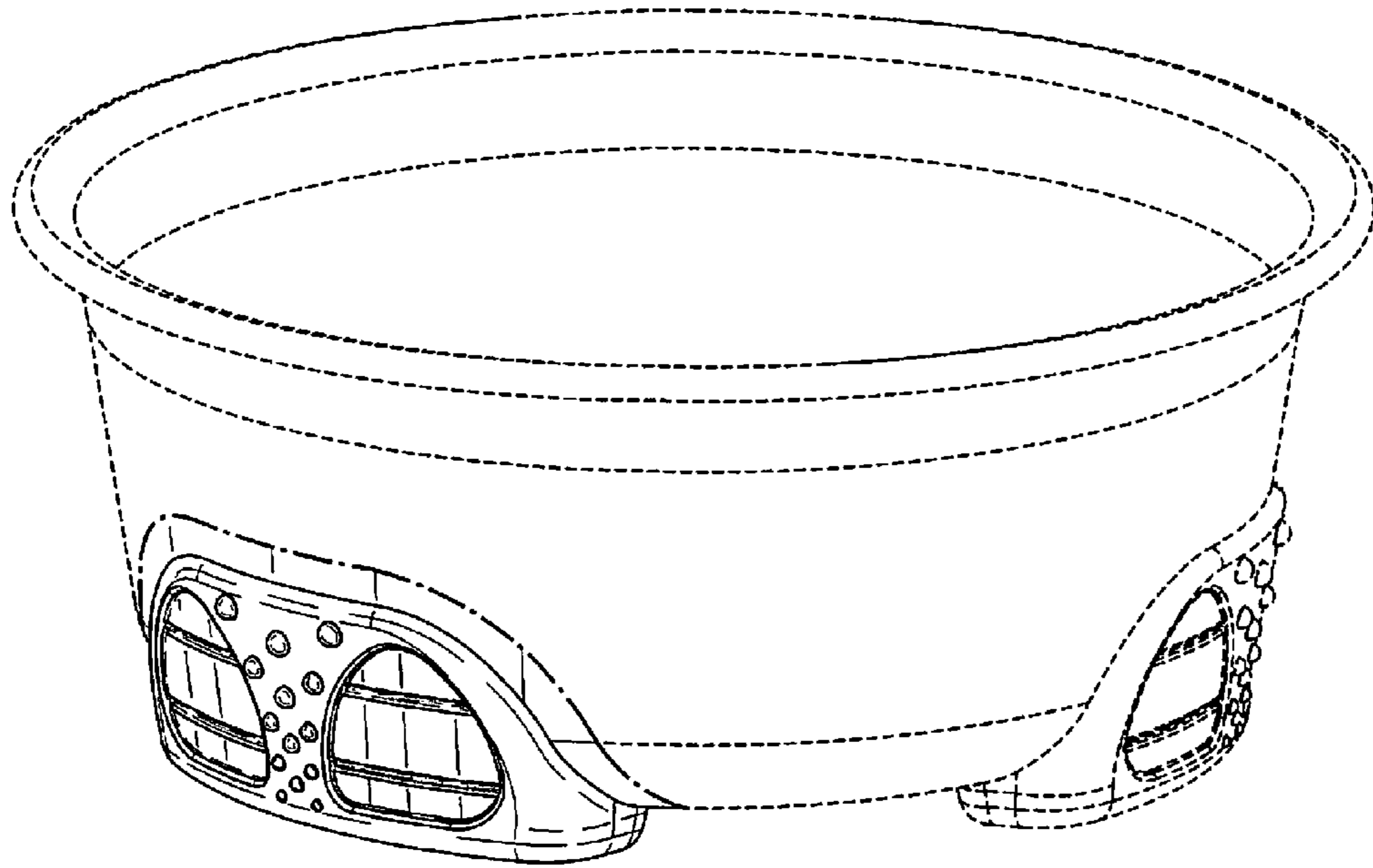
The ornamental design for a food bowl portion with support, as shown and described.

**DESCRIPTION**

FIG. 1 is a top perspective view of a food bowl portion with support showing our new design; FIG. 2 is a lower perspective view thereof; FIG. 3 is a front elevational view thereof; FIG. 4 is a right side elevational view thereof; FIG. 5 is a left side elevational view thereof; FIG. 6 is a rear elevational view thereof; FIG. 7 is a top plan view thereof; and, FIG. 8 is a bottom plan view thereof. The dashed lines depicted in FIGS. 1-5 and 7-8 are for illustration of environmental subject matter only and form no part of the claimed design. The dot-dash lines shown in FIGS. 1-8 are for illustration of the boundary between claimed subject matter and unclaimed subject matter only and form no part of the claimed design.

**1 Claim, 8 Drawing Sheets**





*FIG.1*

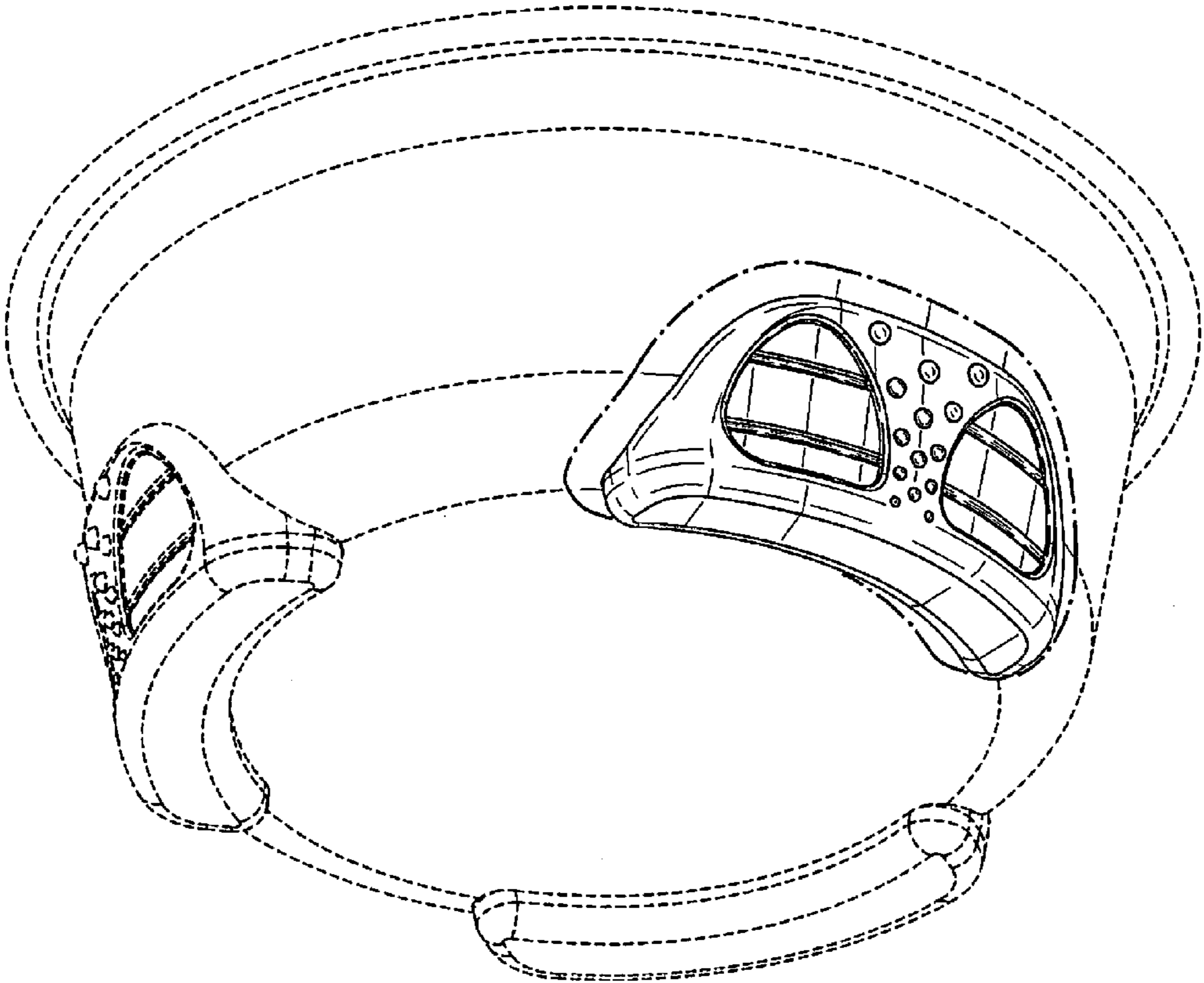


FIG.2

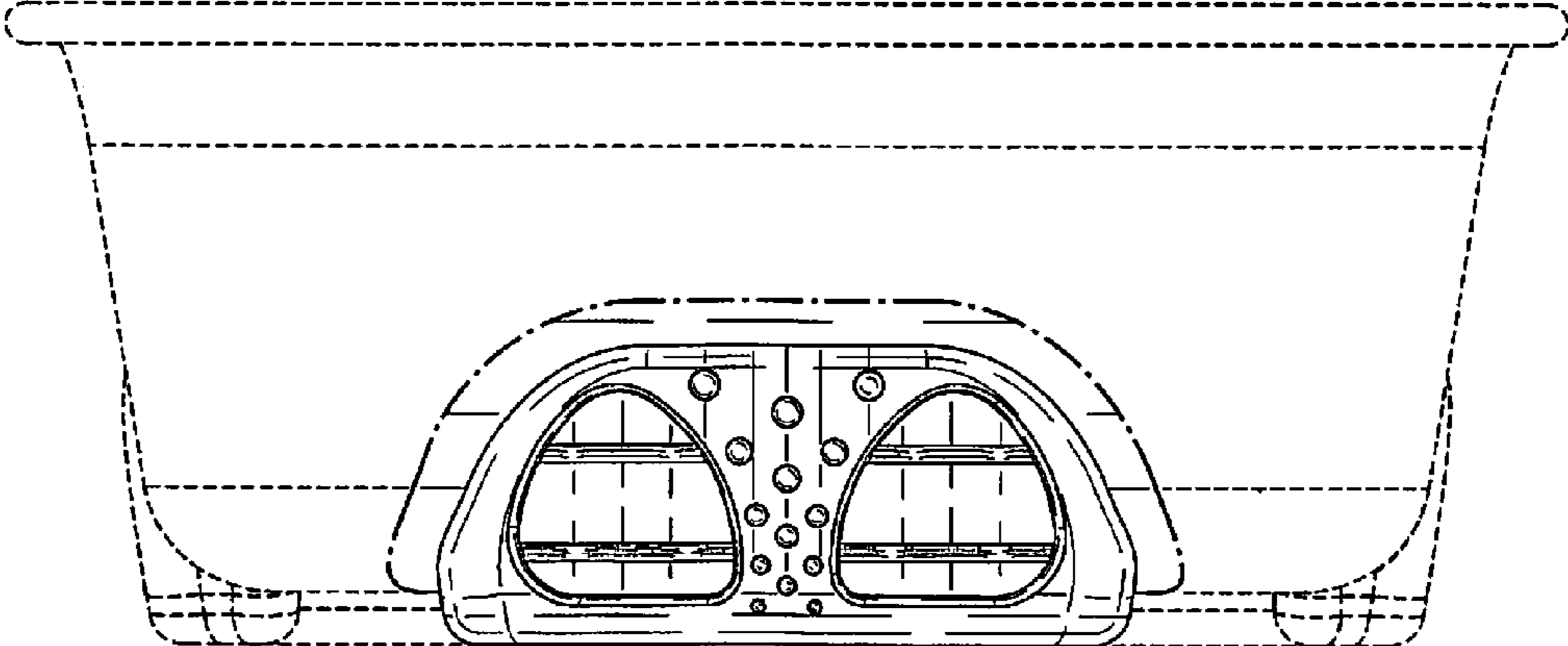


FIG. 3

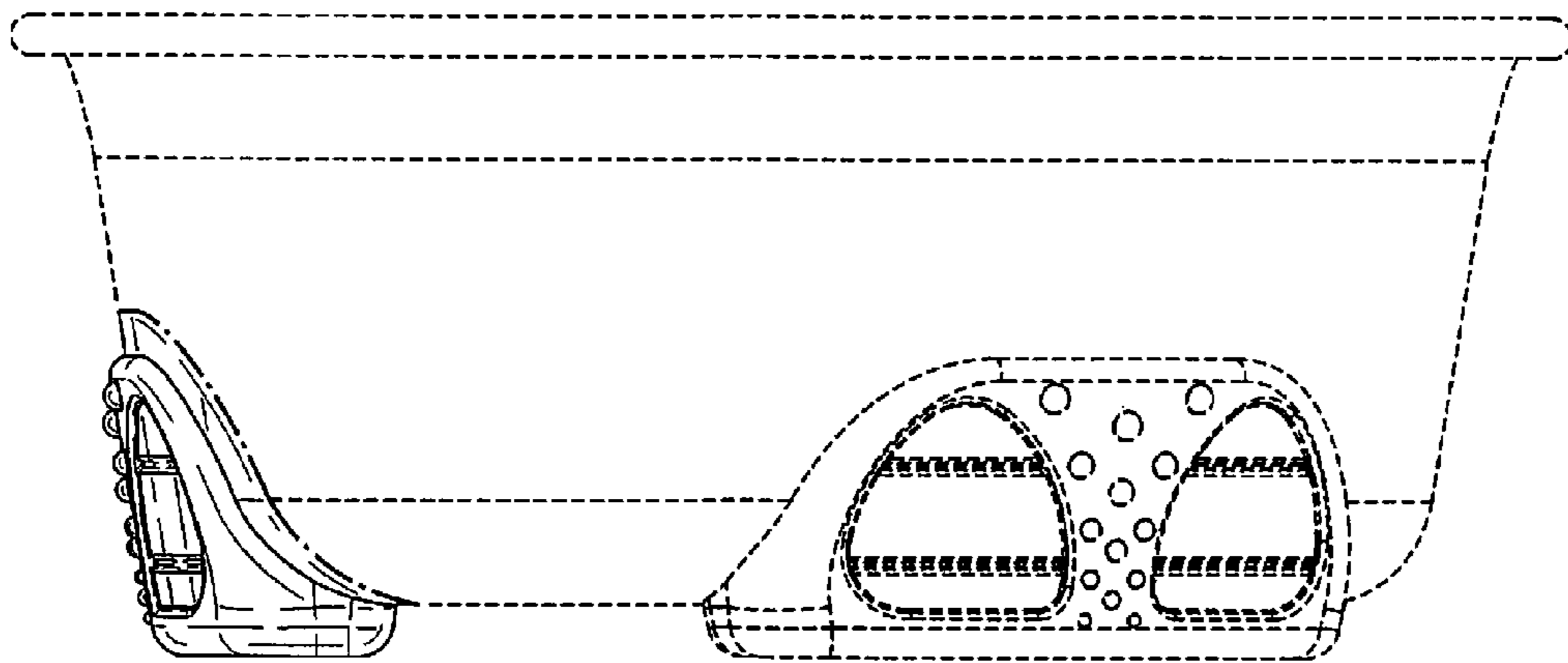


FIG. 4

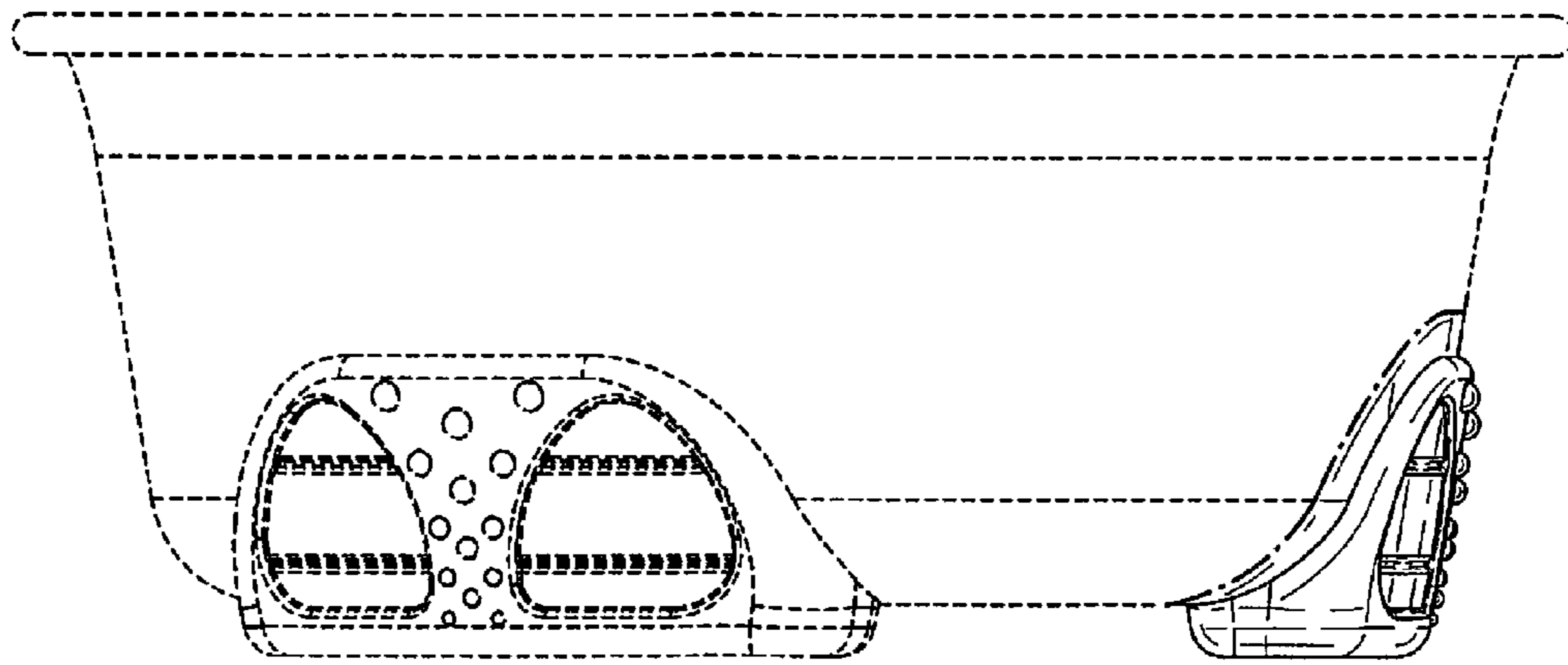
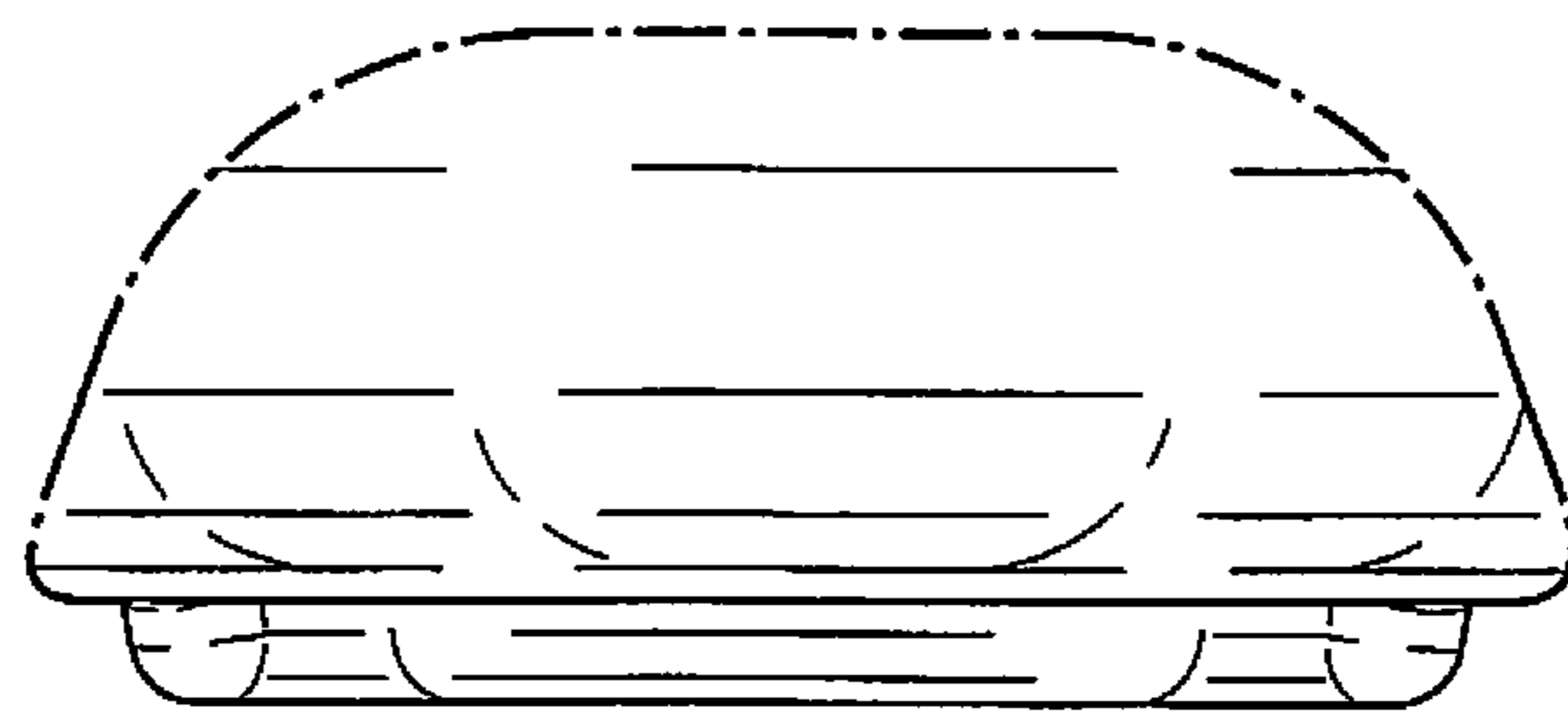
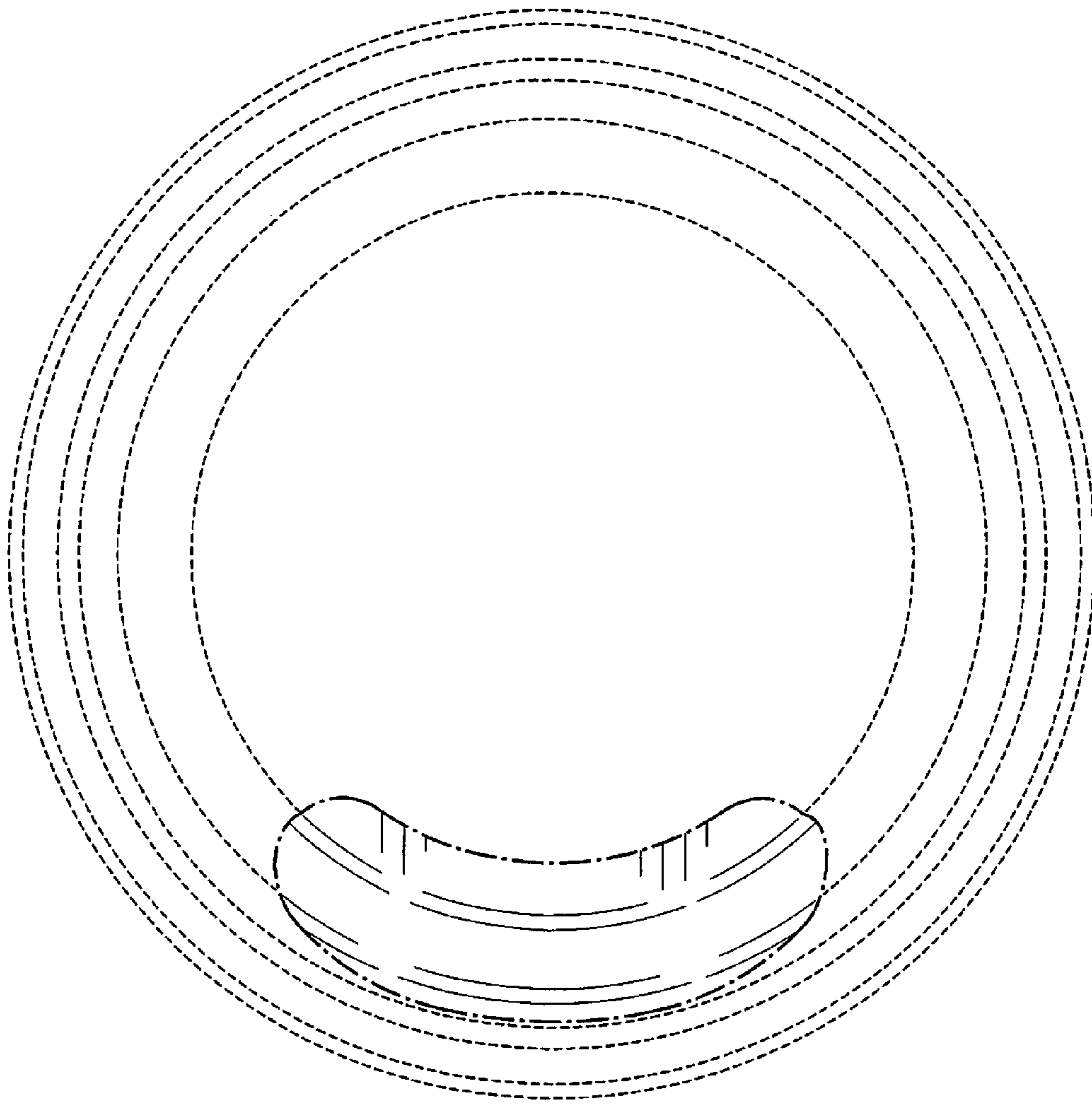


FIG. 5



*FIG. 6*



*FIG. 7*



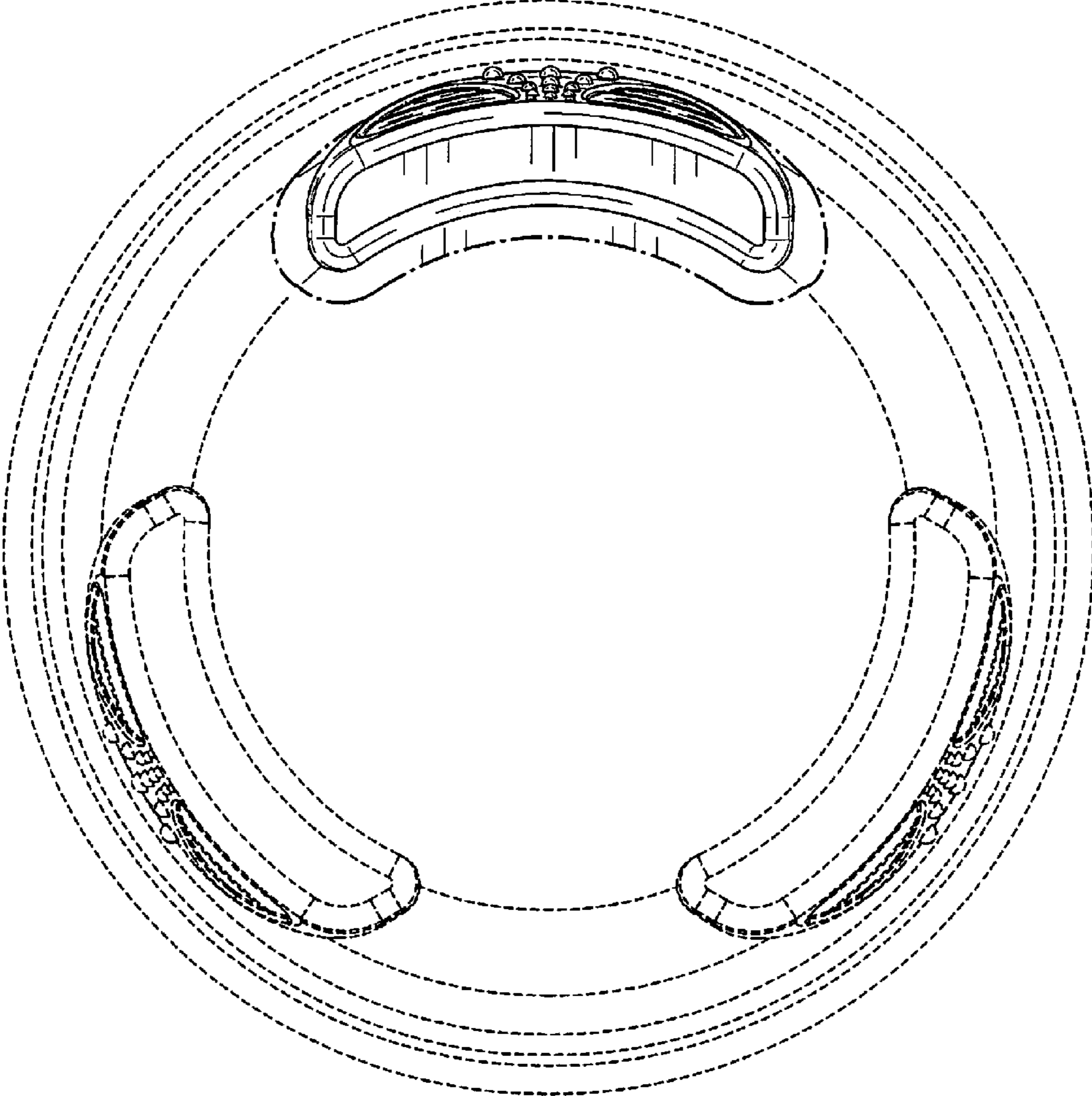


FIG. 8