

US00D739175S

(12) **United States Design Patent**  
**Renforth et al.**

(10) **Patent No.:** **US D739,175 S**  
(45) **Date of Patent:** **\*\* Sep. 22, 2015**

(54) **FOOD BOWL PORTION WITH SUPPORT**

(71) Applicant: **DOSKOCIL MANUFACTURING COMPANY, INC.**, Arlington, TX (US)

(72) Inventors: **Jack W. Renforth**, Azle, TX (US);  
**Norman Anderson**, Brooklyn, NY (US)

(\*\*) Term: **14 Years**

(21) Appl. No.: **29/488,997**

(22) Filed: **Apr. 25, 2014**

(51) **LOC (10) Cl.** ..... **31-00**

(52) **U.S. Cl.**  
USPC ..... **D7/396.6**; D30/129; D7/403; D7/558

(58) **Field of Classification Search**  
USPC ..... D7/396.1, 396.2, 396.5, 396.6, 387, D7/388, 389, 392.1, 399, 393, 396, 403, D7/550.1, 551.1, 552.2, 558, 559, 571, D7/213, 560, 553.6, 505, 500, 507, 541, D7/542, 553.2, 554.3; D30/129, 101, 102, D30/103, 128, 133, 141, 146, 148, 199; D6/365, 372, 310, 311, 688.17, 688.19, D6/654.14, 691.4, 696.1, 708, 708.1, D6/708.11, 708.15, 708.22, 708.25, 709, D6/709.11, 709.17, 710; D21/417; 220/592.15, 495.03; D23/221, 280.4, D23/278, 304, 277, 303; D26/138, 142; D9/548; 215/227, 395, 374, 376, 377; D11/152, 143  
CPC .... B65D 23/001; B65D 75/008; A47G 19/00; A47G 21/00  
See application file for complete search history.

(56) **References Cited**

**U.S. PATENT DOCUMENTS**

D280,707 S \* 9/1985 Imanishi ..... D9/519  
D337,017 S \* 7/1993 Levien ..... D6/601  
D337,231 S \* 7/1993 Levien ..... D6/601  
D358,738 S \* 5/1995 Brown et al. .... D7/544

D385,340 S \* 10/1997 Giese et al. .... D23/304  
6,619,230 B1 \* 9/2003 Kimbrough et al. .... 119/61.56  
D498,827 S \* 11/2004 Shibata et al. .... D23/278  
D549,890 S \* 8/2007 Alfaro ..... D30/199  
D607,275 S \* 1/2010 Griffith ..... D7/505  
D614,817 S \* 4/2010 LeCompte ..... D30/146  
D620,310 S \* 7/2010 Lundberg ..... D7/396.6  
D625,887 S \* 10/2010 Becattini et al. .... D30/133  
D629,977 S \* 12/2010 Ford ..... D30/146  
D642,338 S \* 7/2011 Becattini et al. .... D30/133  
D671,694 S \* 11/2012 Ford ..... D30/146  
D673,415 S \* 1/2013 Genuardi ..... D7/300.1  
D677,128 S \* 3/2013 Roesser ..... D7/625  
D689,742 S \* 9/2013 Goodchild ..... D7/558  
D693,141 S \* 11/2013 Wootten, Jr. .... D6/601  
D725,545 S \* 3/2015 Warburton et al. .... D11/148

\* cited by examiner

*Primary Examiner* — Marianne Pandozzi

*Assistant Examiner* — Jae Liang

(74) *Attorney, Agent, or Firm* — Global IP Counselors, LLP

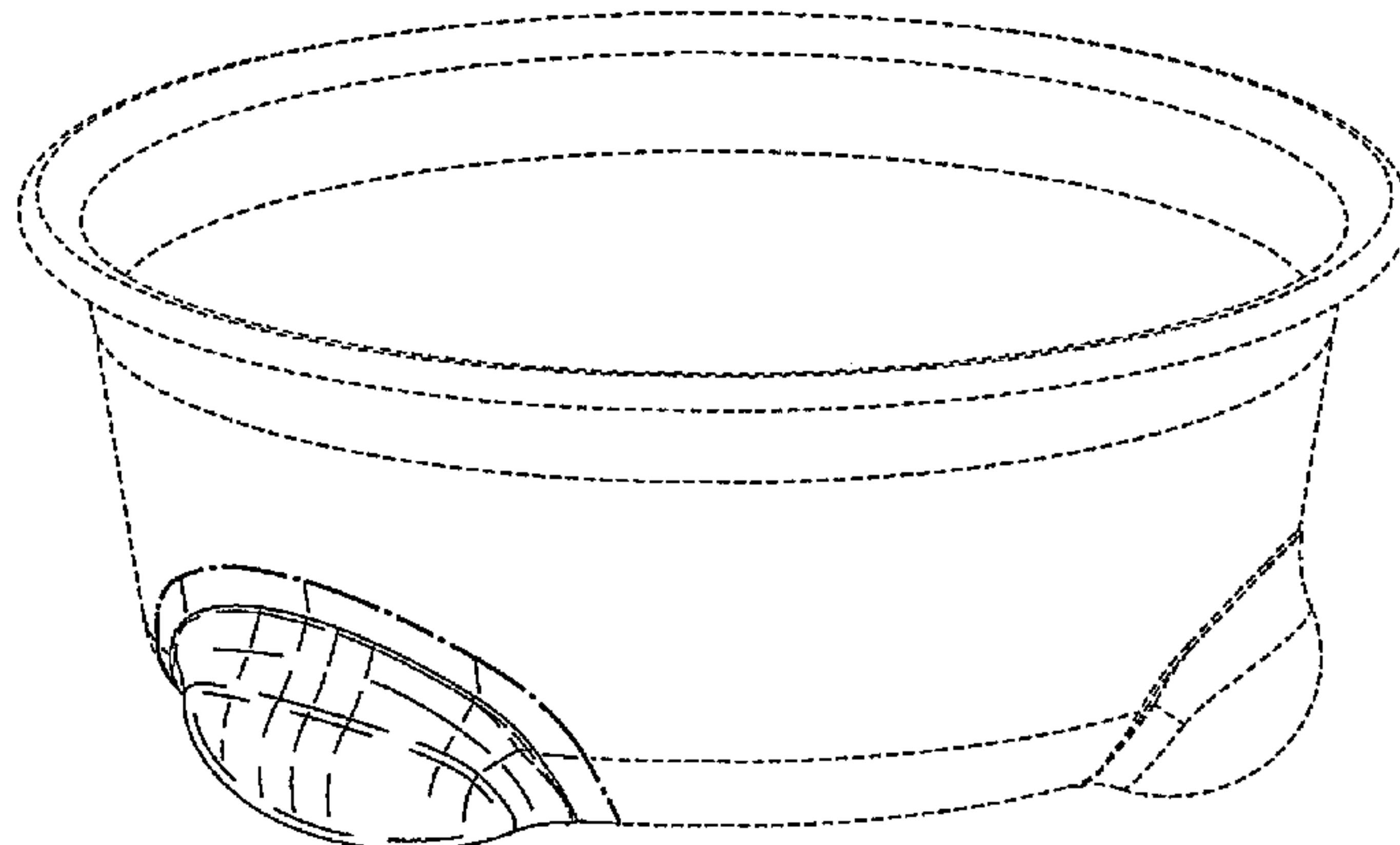
(57) **CLAIM**

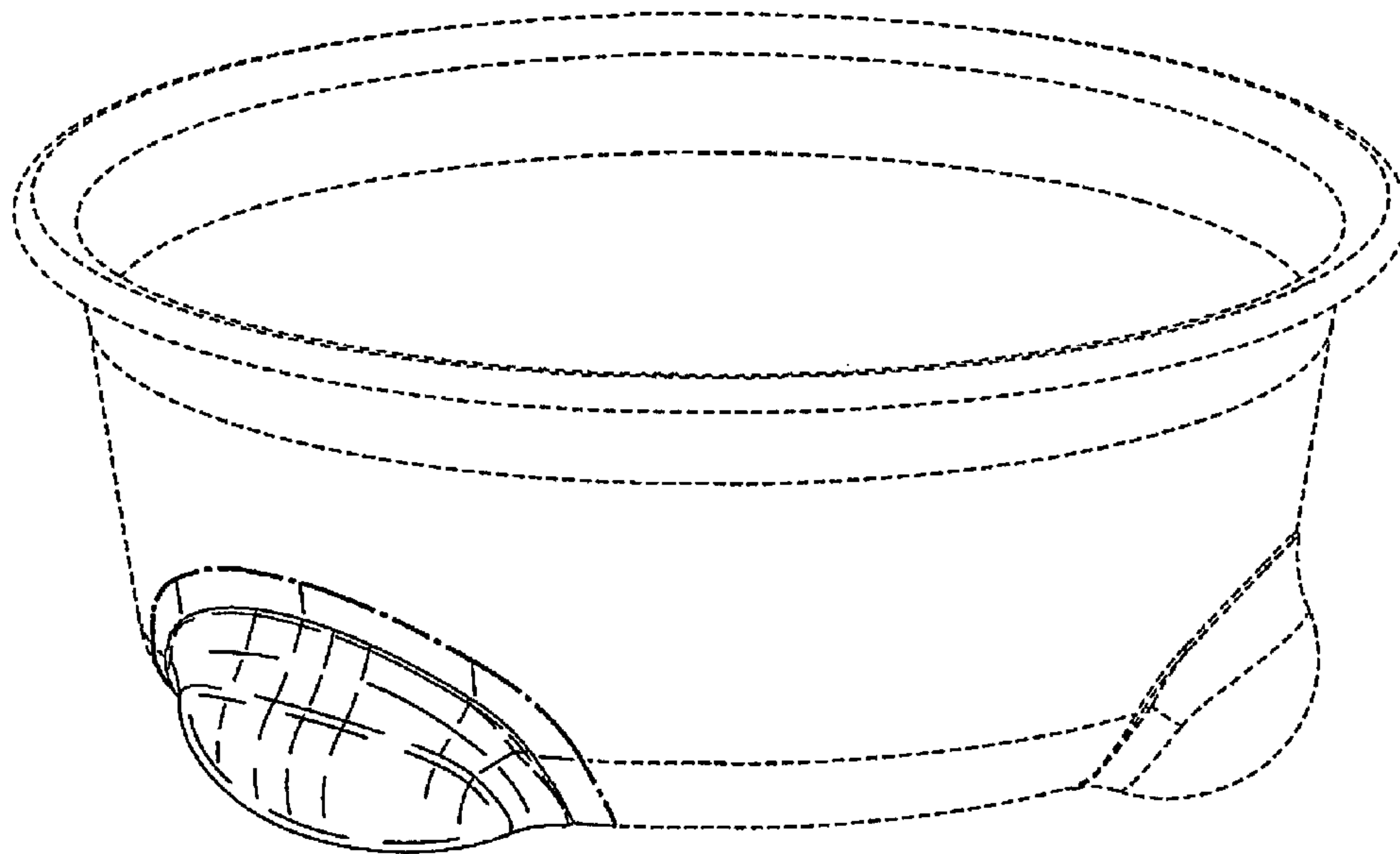
The ornamental design for a food bowl portion with support, as shown and described.

**DESCRIPTION**

FIG. 1 is a top perspective view of a food bowl portion with support showing our new design;  
FIG. 2 is a lower perspective view thereof;  
FIG. 3 is a front elevational view thereof;  
FIG. 4 is a right side elevational view thereof;  
FIG. 5 is a left side elevational view thereof;  
FIG. 6 is a rear elevational view thereof;  
FIG. 7 is a top plan view thereof; and,  
FIG. 8 is a bottom plan view thereof.  
The dashed lines depicted in FIGS. 1-5 and 7-8 are for illustration of environmental subject matter only and form no part of the claimed design. The dot-dash lines shown in FIGS. 1-8 are for illustration of the boundary between claimed subject matter and unclaimed subject matter only and form no part of the claimed design.

**1 Claim, 8 Drawing Sheets**





*FIG.1*

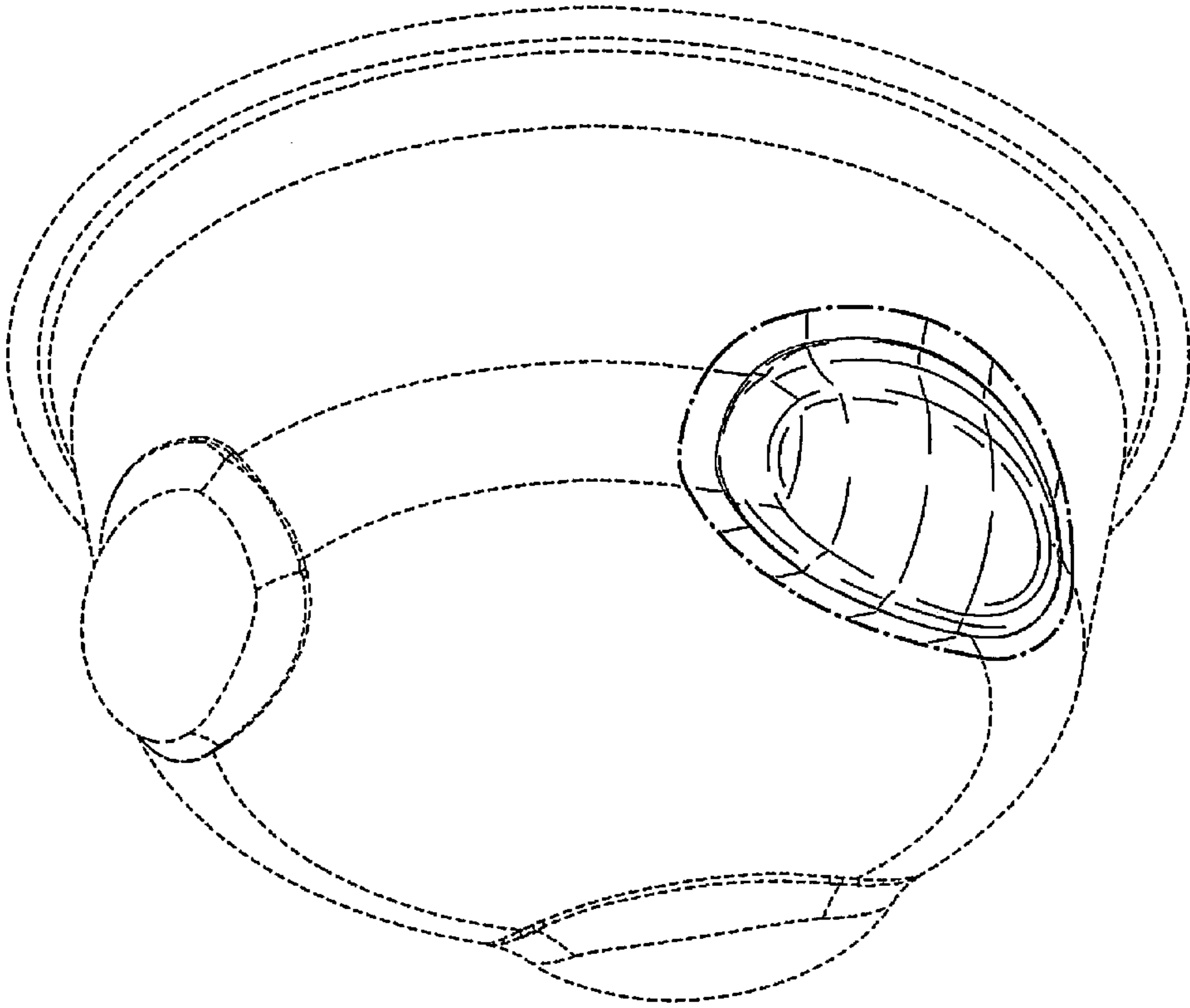
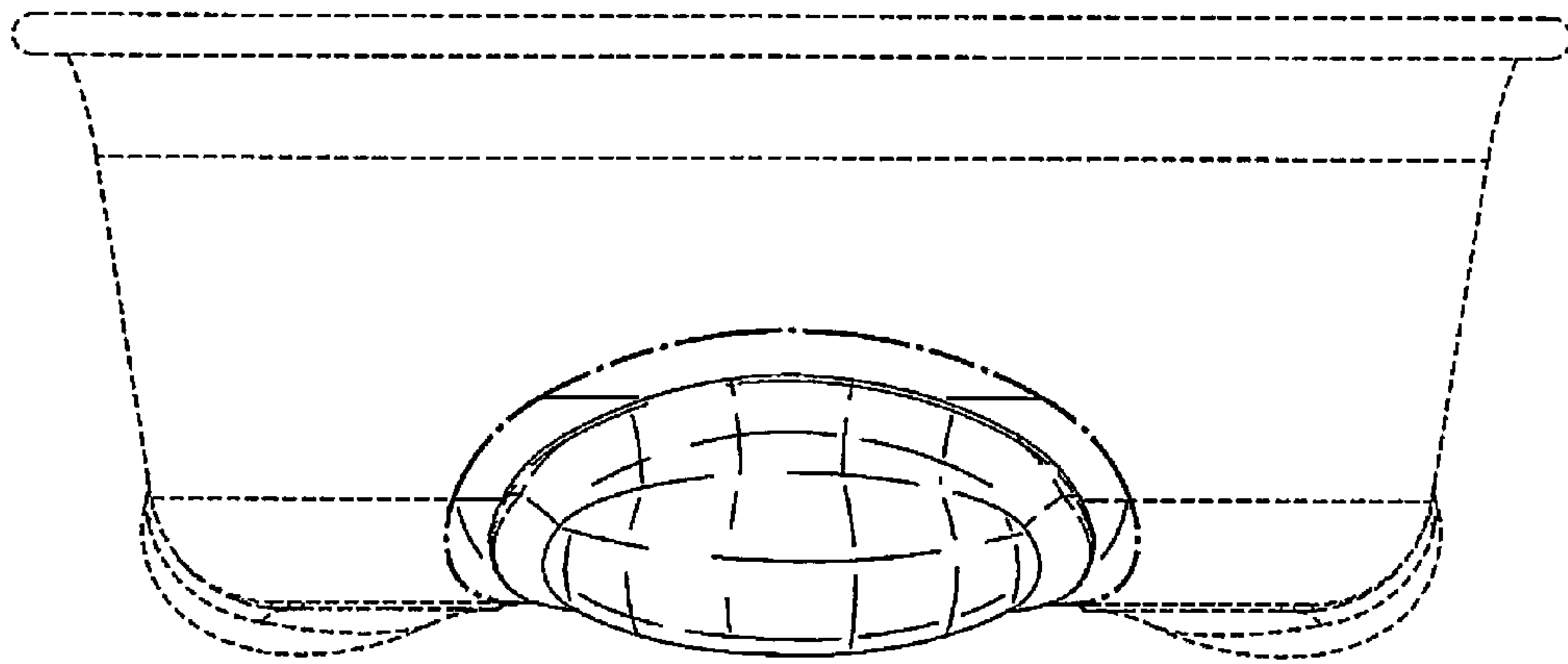


FIG. 2



*FIG. 3*

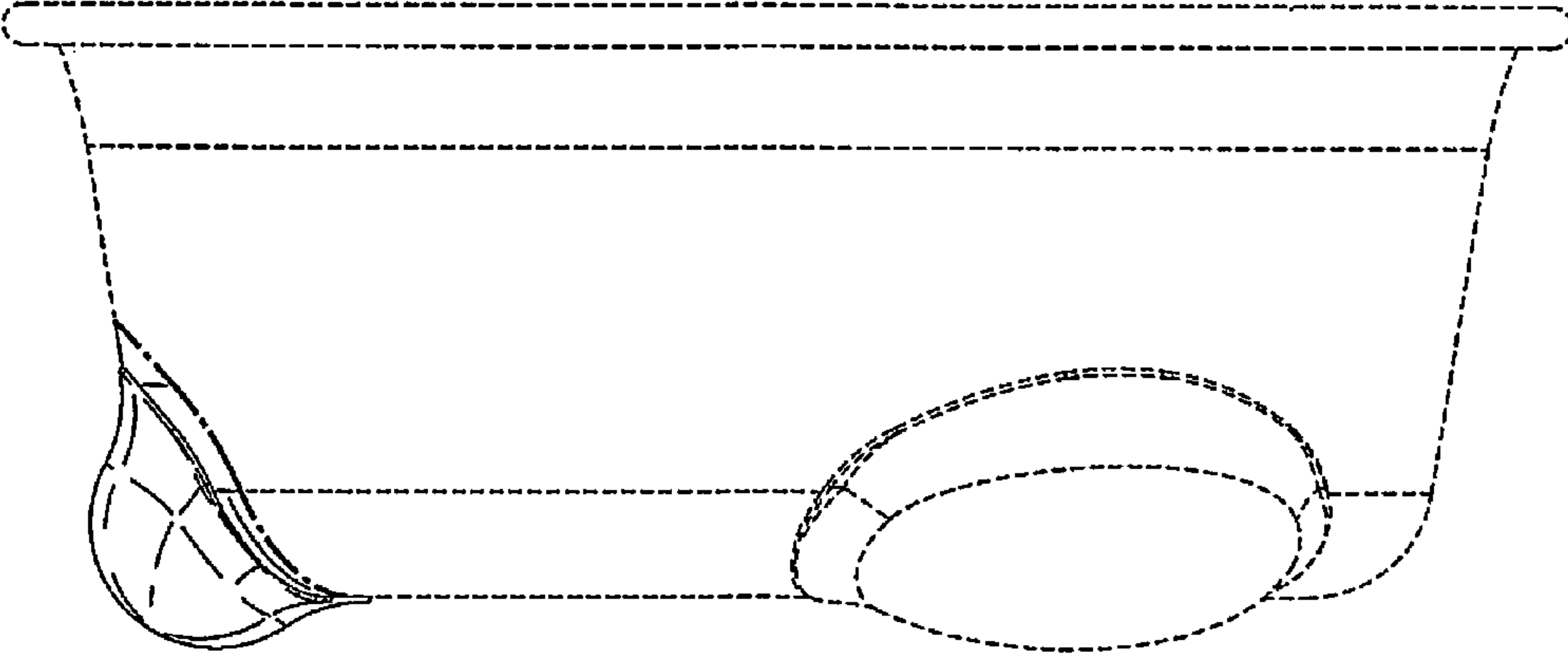


FIG. 4

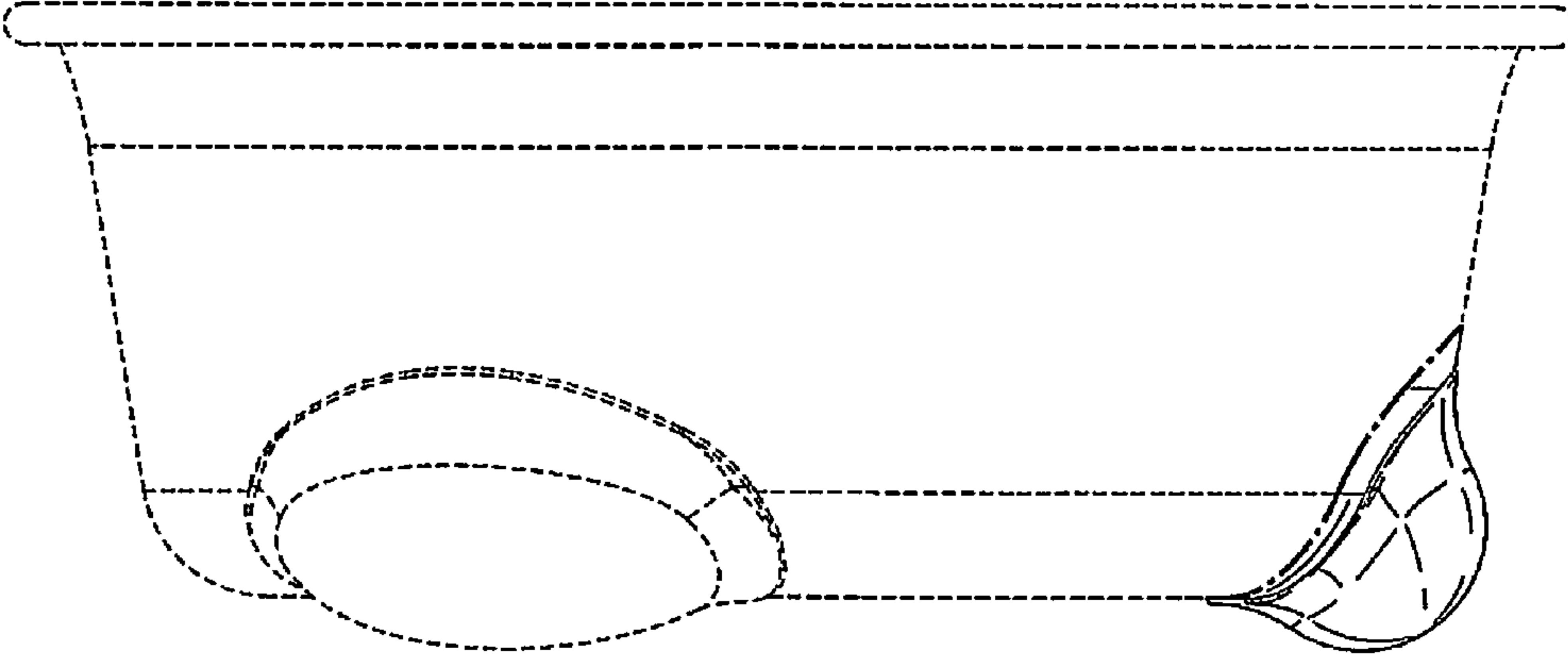
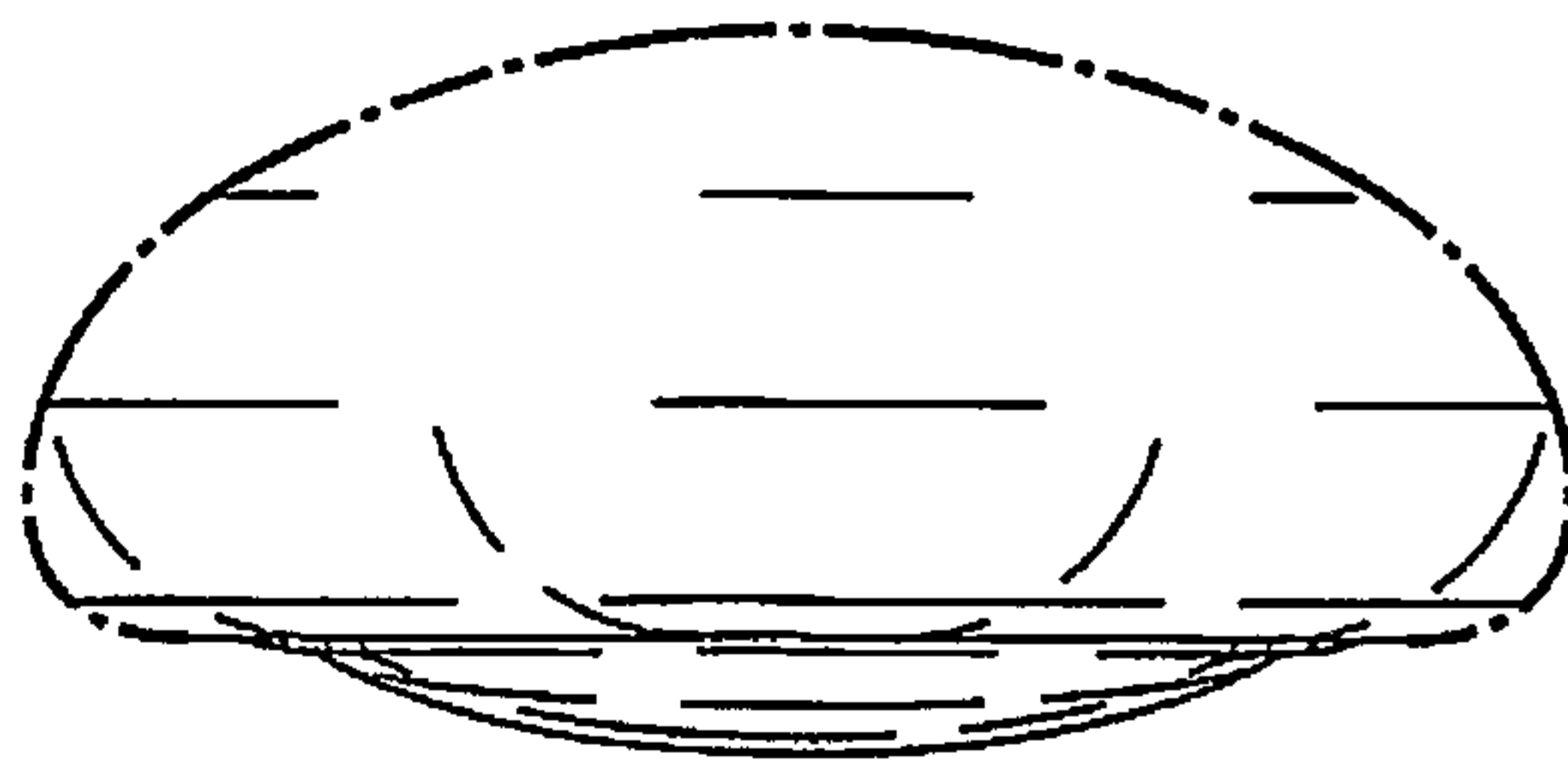


FIG. 5



*FIG. 6*



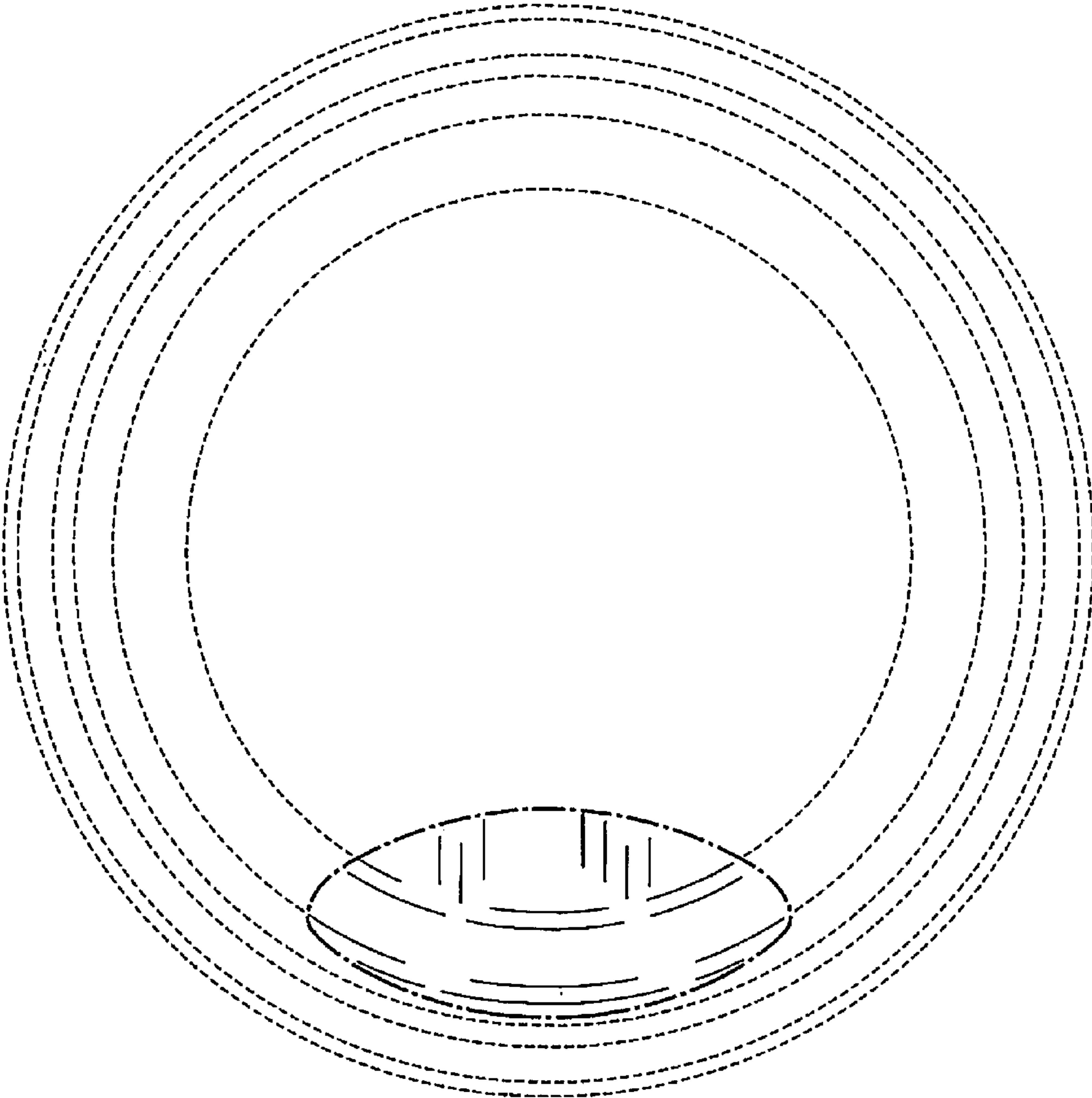


FIG. 7



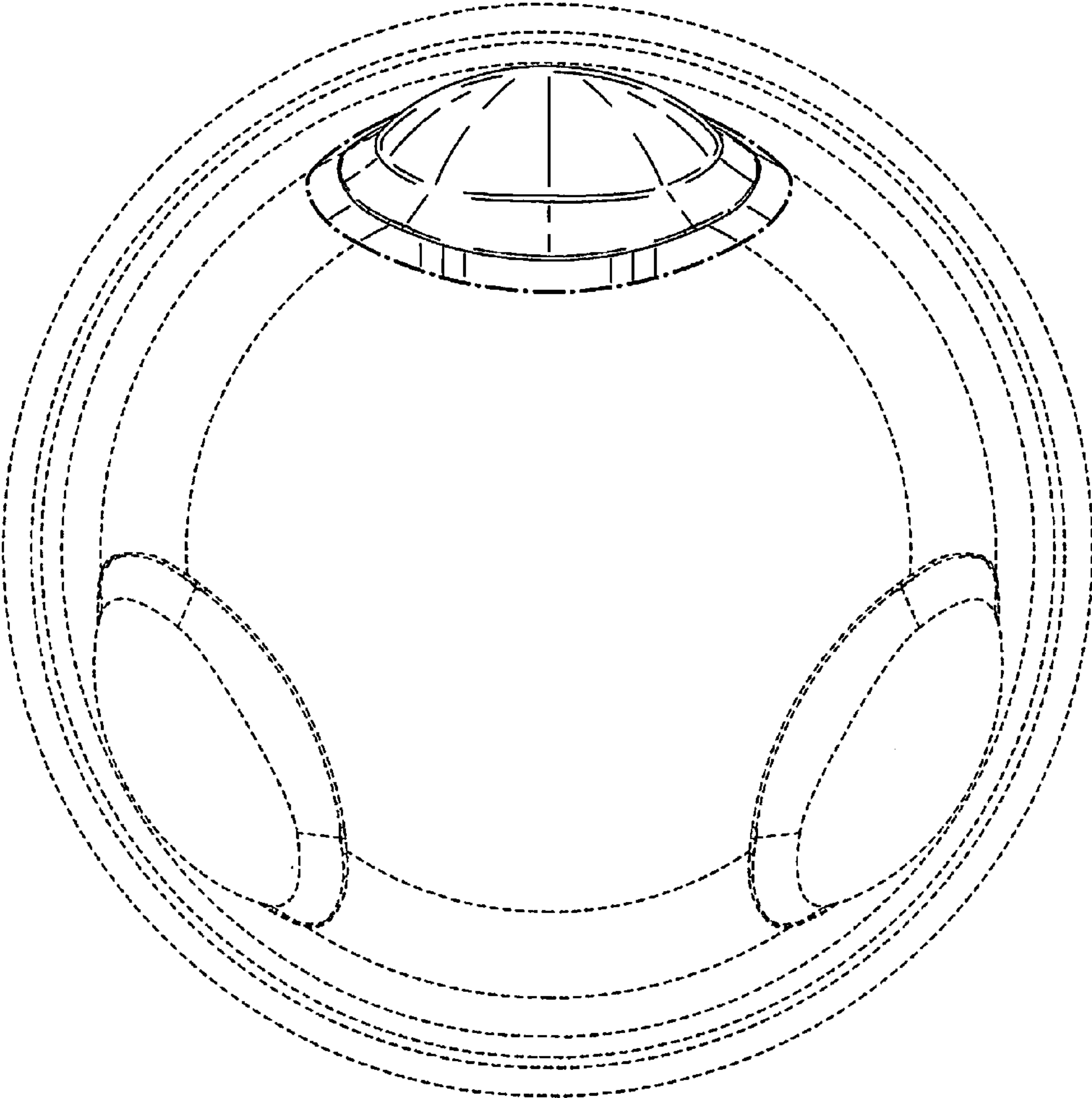


FIG. 8