



US00D739174S

(12) **United States Design Patent**  
**Elsaden et al.**

(10) **Patent No.:** **US D739,174 S**  
(45) **Date of Patent:** **\*\* Sep. 22, 2015**

- (54) **BEVERAGE CONTAINER LID**
- (71) Applicant: **Ignite USA, LLC**, Chicago, IL (US)
- (72) Inventors: **Sami Elsaden**, Winnetka, IL (US); **Paul Hurley**, Libertyville, IL (US); **Bryan Washburn**, Buffalo Grove, IL (US); **Blair Miller**, Chicago, IL (US)
- (73) Assignee: **IGNITE USA, LLC**, Chicago, IL (US)
- (\*\*) Term: **14 Years**
- (21) Appl. No.: **29/513,505**
- (22) Filed: **Dec. 31, 2014**

- D449,762 S 10/2001 Jacober et al.
- D454,754 S 3/2002 Jacober et al.
- 6,379,032 B1 4/2002 Sorensen
- D478,241 S 8/2003 Heilstedt et al.
- D485,727 S 1/2004 Heilstedt et al.

(Continued)

**OTHER PUBLICATIONS**

<http://shop-fit-fresh.com/28-oz-Jaxx-Shaker-Bottle/dp/B00AY3S3M0>, at least as early as Jan. 22, 2014.

(Continued)

*Primary Examiner* — Robert M Spear  
*Assistant Examiner* — Kendra L Hamilton  
(74) *Attorney, Agent, or Firm* — Marshall, Gerstein & Borun LLP

**Related U.S. Application Data**

- (62) Division of application No. 29/479,991, filed on Jan. 22, 2014.
- (51) **LOC (10) Cl.** ..... **07-01**
- (52) **U.S. Cl.**  
USPC ..... **D7/392.1**
- (58) **Field of Classification Search**  
USPC ..... D7/319, 323, 391, 392, 392.1, 393, D7/396.2, 397, 398, 399, 443, 447, 449, D7/509, 510, 511, 629; D9/435, 440, 442, D9/443, 447, 450, 451, 452, 453, 503, 504, D9/523, 527, 552, 561, 761; D23/207, D23/209; 220/254.8, 700, 703, 711, 715; 222/465.1, 475.1; 215/11.1, 41, 386, 215/387, 388  
CPC ..... A47G 19/2272  
See application file for complete search history.

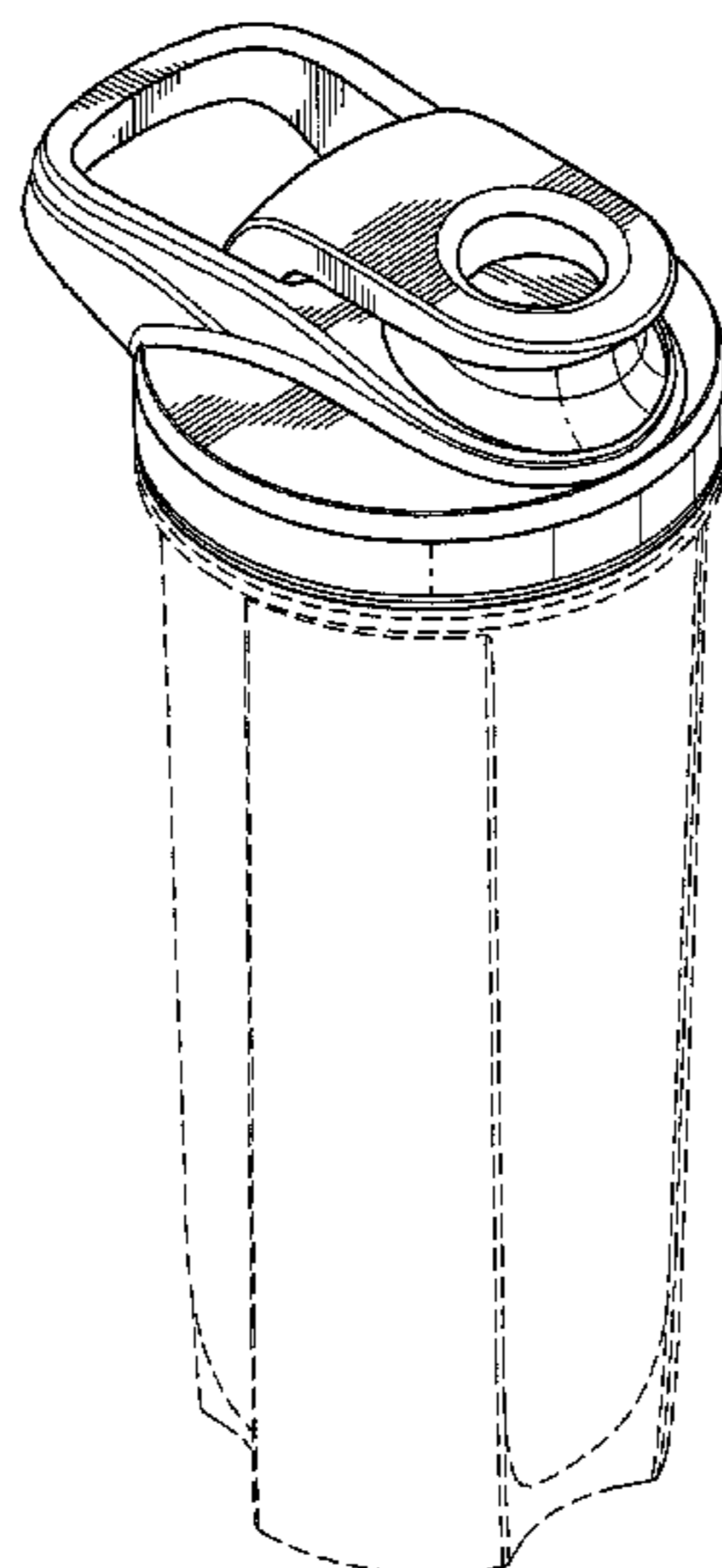
(57) **CLAIM**  
We claim the ornamental design for a beverage container lid, as shown and described.

**DESCRIPTION**

FIG. 1 is a top perspective view of a beverage container lid; FIG. 2 is a bottom perspective view of the beverage container lid shown in FIG. 1; FIG. 3 is a left side view of the beverage container lid shown in FIG. 1; FIG. 4 is a right side view of the beverage container lid shown in FIG. 1; FIG. 5 is a back view of the beverage container lid shown in FIG. 1; FIG. 6 is a front view of the beverage container lid shown in FIG. 1; FIG. 7 is a top view of the beverage container lid shown in FIG. 1; and, FIG. 8 is a bottom view of the beverage container lid shown in FIG. 1. Features shown in broken lines in the drawings are not part of the claim.

- (56) **References Cited**  
U.S. PATENT DOCUMENTS  
3,820,692 A 6/1974 Swett et al.  
D233,116 S 10/1974 Swett et al.  
5,590,542 A 1/1997 Wang

**1 Claim, 6 Drawing Sheets**



(56)

References Cited

U.S. PATENT DOCUMENTS

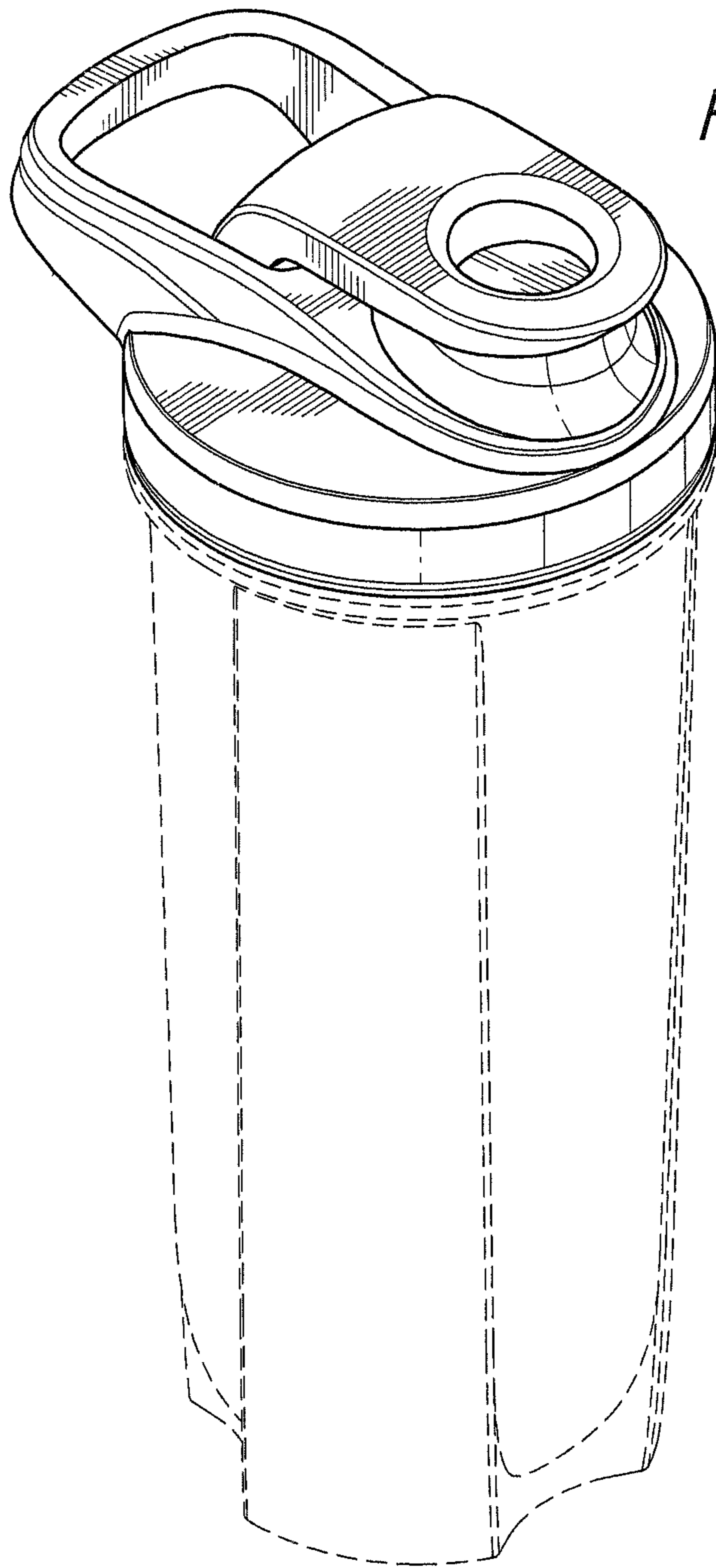
D510,235 S \* 10/2005 Sorensen ..... D7/510  
 D532,650 S \* 11/2006 de Groote ..... D7/392  
 D538,597 S \* 3/2007 Kim ..... D7/510  
 D584,566 S \* 1/2009 Fuller ..... D7/396.2  
 D624,357 S \* 9/2010 George ..... D7/396.2  
 7,810,651 B2 10/2010 Miga, Jr.  
 D626,837 S \* 11/2010 Meyers et al. .... D9/443  
 D632,918 S 2/2011 Gordon  
 D634,161 S \* 3/2011 Roth et al. .... D7/510  
 D644,065 S 8/2011 Llerena  
 D646,919 S 10/2011 Nilsson  
 D655,131 S 3/2012 Nilsson  
 D656,357 S 3/2012 Enghard  
 D657,618 S \* 4/2012 Wahl ..... D7/392.1  
 D658,014 S 4/2012 Miga, Jr.  
 D666,047 S 8/2012 Lin  
 D675,872 S 2/2013 Avila et al.  
 D677,121 S 3/2013 Meyers et al.  
 D679,541 S \* 4/2013 Samartgis ..... D7/392.1  
 D687,661 S 8/2013 Cetera et al.  
 D688,520 S 8/2013 Lin

D690,989 S 10/2013 Cetera et al.  
 D691,849 S 10/2013 Cetera et al.  
 D692,276 S 10/2013 Cetera et al.  
 8,544,674 B2 10/2013 Nilsson  
 D696,551 S \* 12/2013 Meyers et al. .... D7/392.1  
 8,602,238 B2 \* 12/2013 El-Saden et al. .... 215/389  
 D699,996 S 2/2014 DeLeo  
 D700,014 S 2/2014 Zeanah  
 8,672,164 B2 3/2014 Honeyghan  
 D702,079 S \* 4/2014 Hung ..... D7/392.1  
 D702,087 S 4/2014 Steel et al.  
 D702,489 S 4/2014 Steel et al.  
 D702,503 S 4/2014 Steel et al.  
 D726,476 S \* 4/2015 Ercanbrack ..... D7/300.1  
 2009/0145839 A1 6/2009 Miga, Jr.  
 2011/0220674 A1 9/2011 Honeyghan  
 2013/0343148 A1 12/2013 Avila et al.

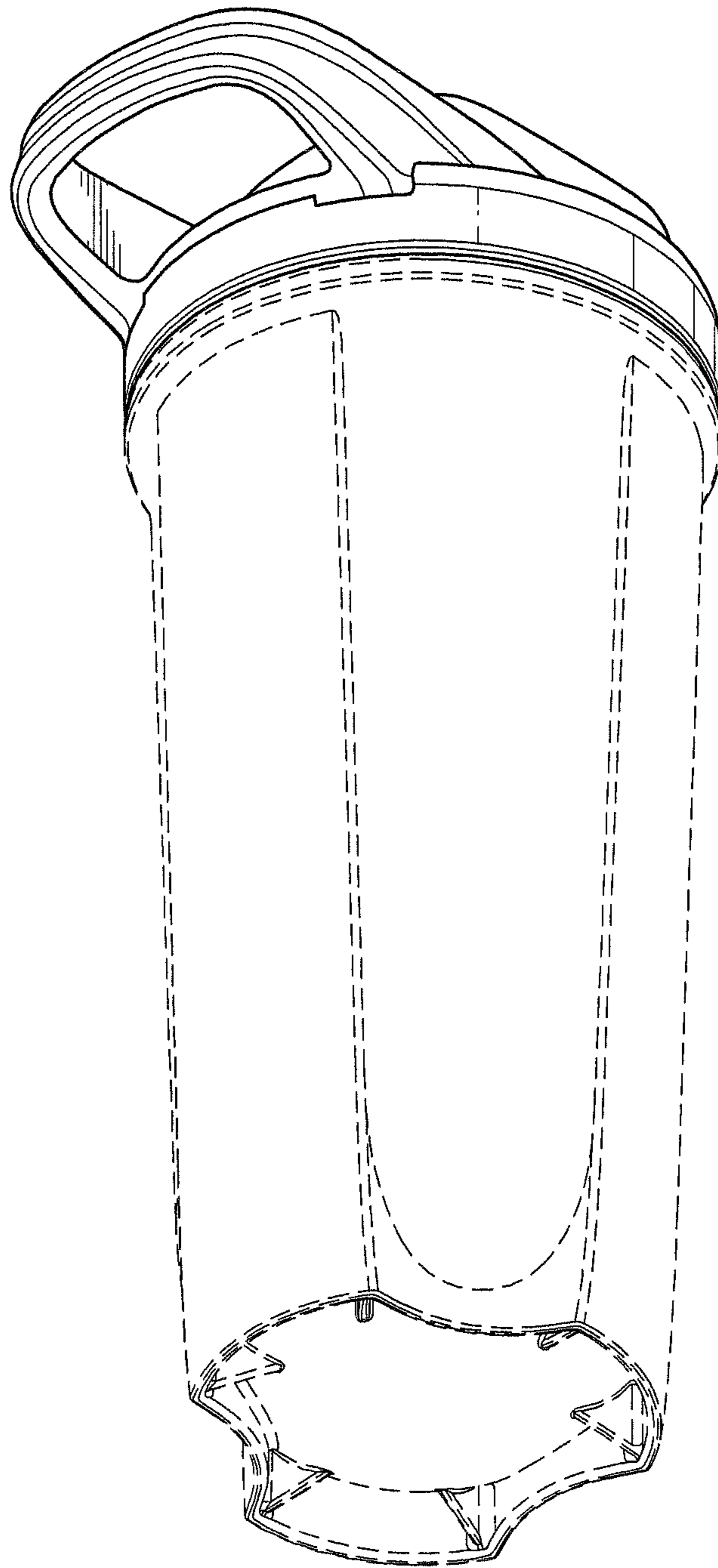
OTHER PUBLICATIONS

<http://www.blenderbottle.com/products/all/blender-bottle-combo-packs.html>, at least as early as Jan. 22, 2014.  
<http://www.smartshake.com>, at least as early as Jan. 22, 2014.

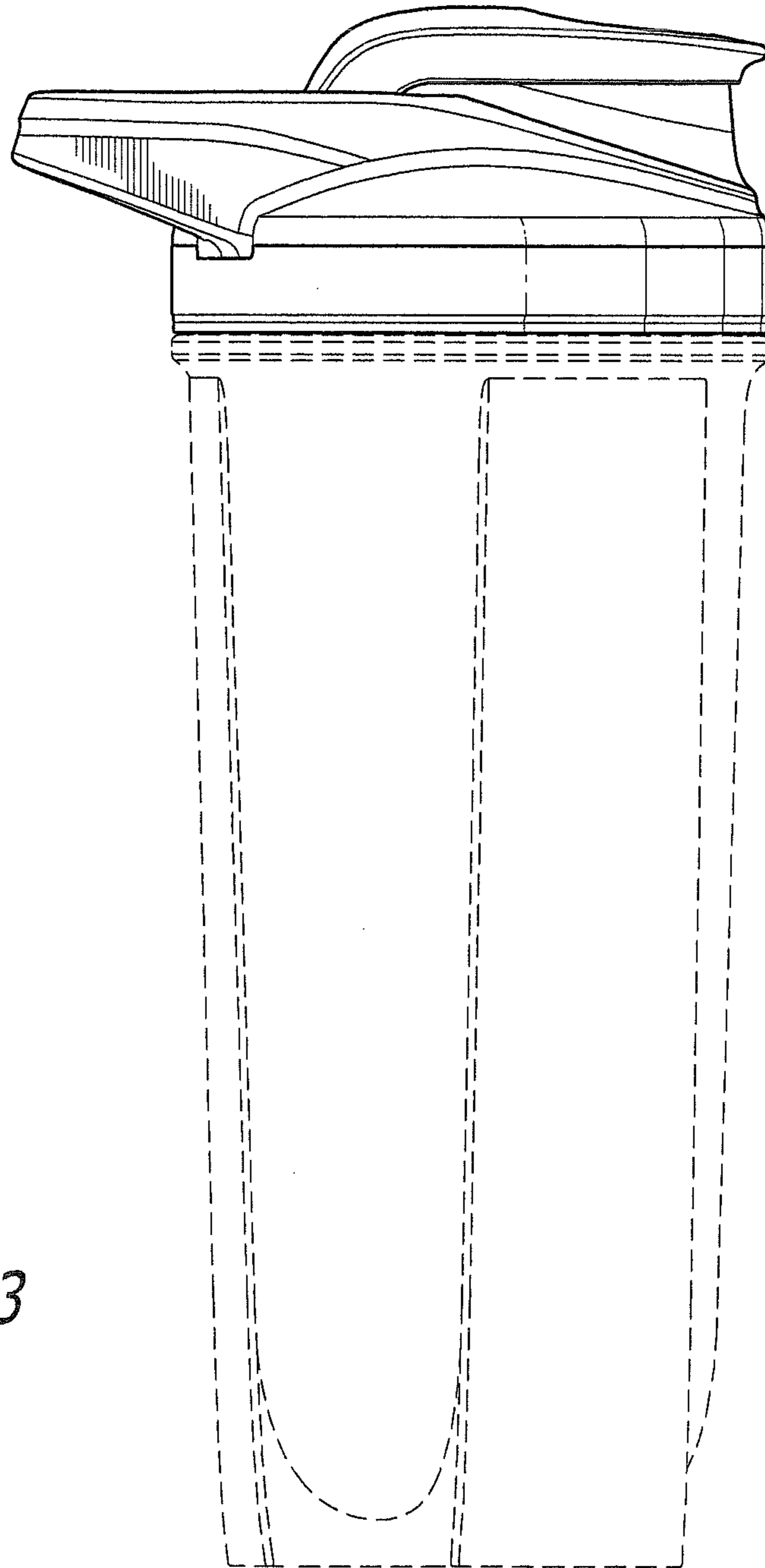
\* cited by examiner



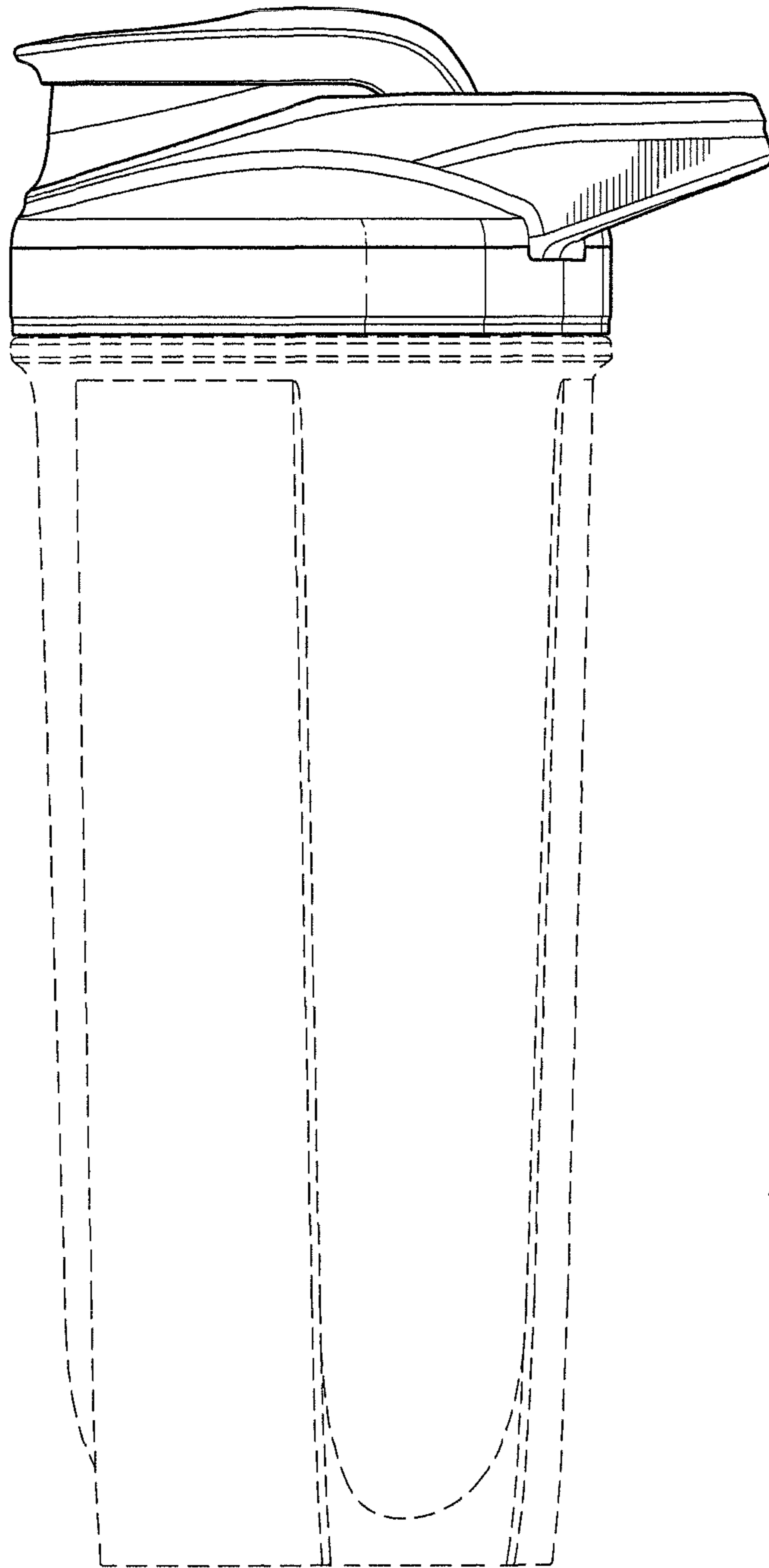
*FIG. 1*



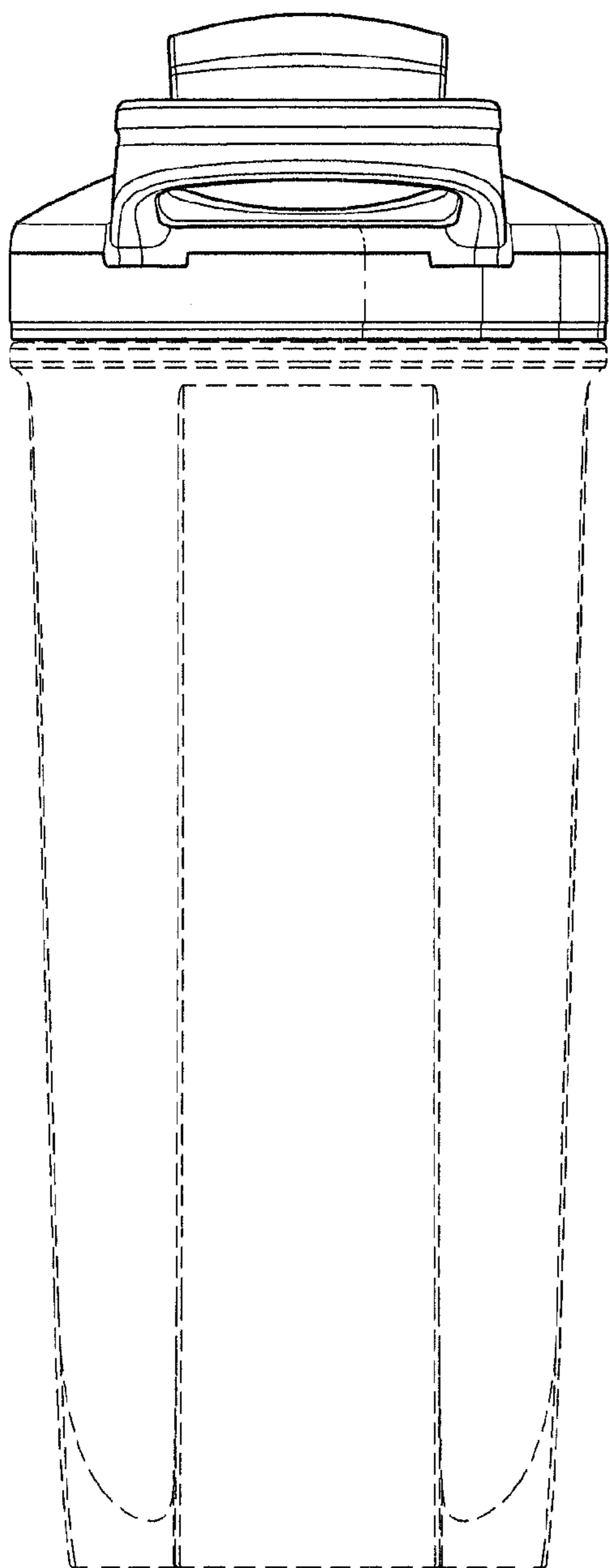
*FIG. 2*



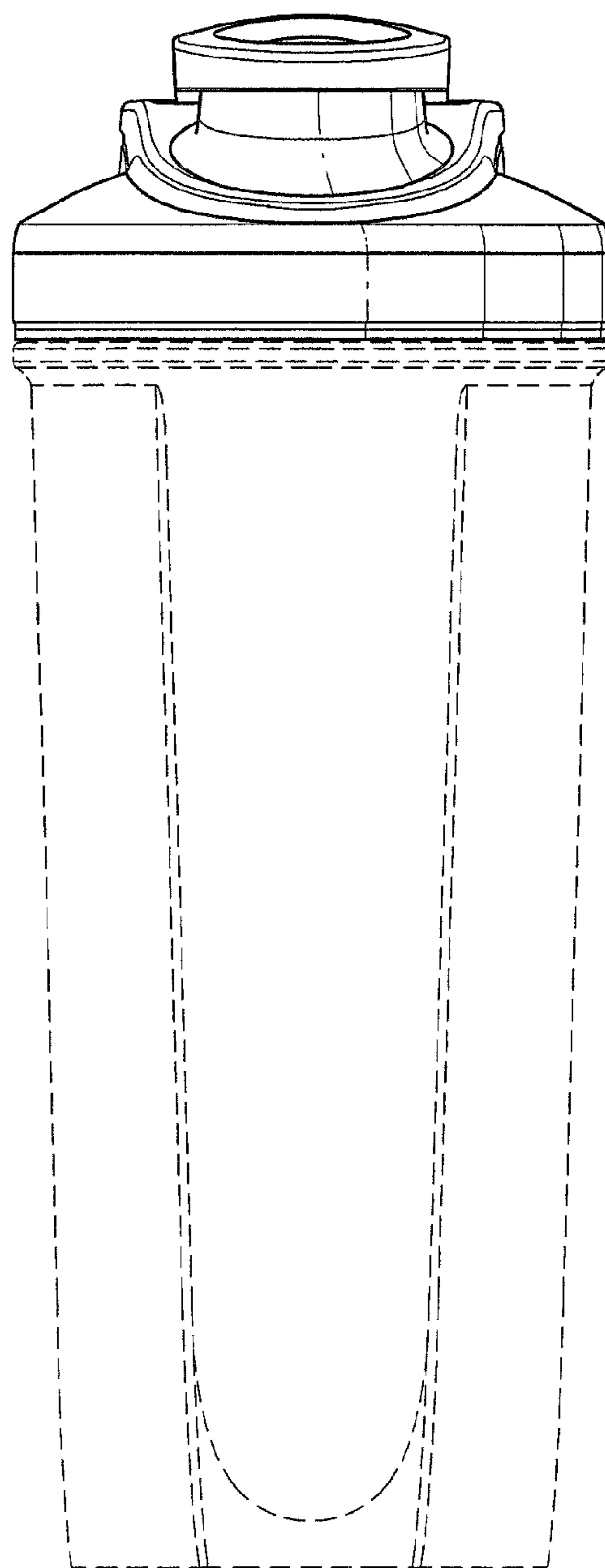
*FIG. 3*



*FIG. 4*



*FIG. 5*



*FIG. 6*

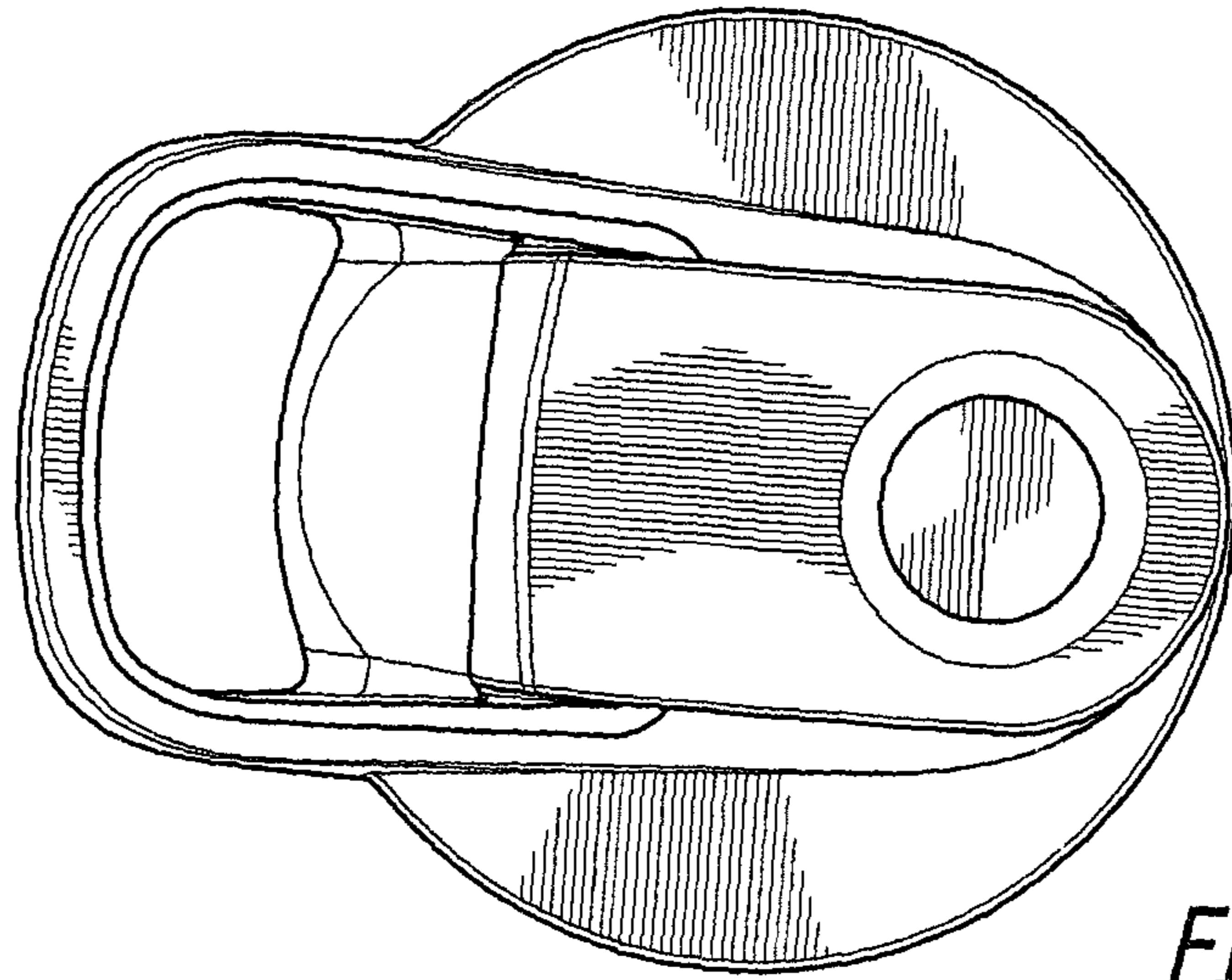


FIG. 7

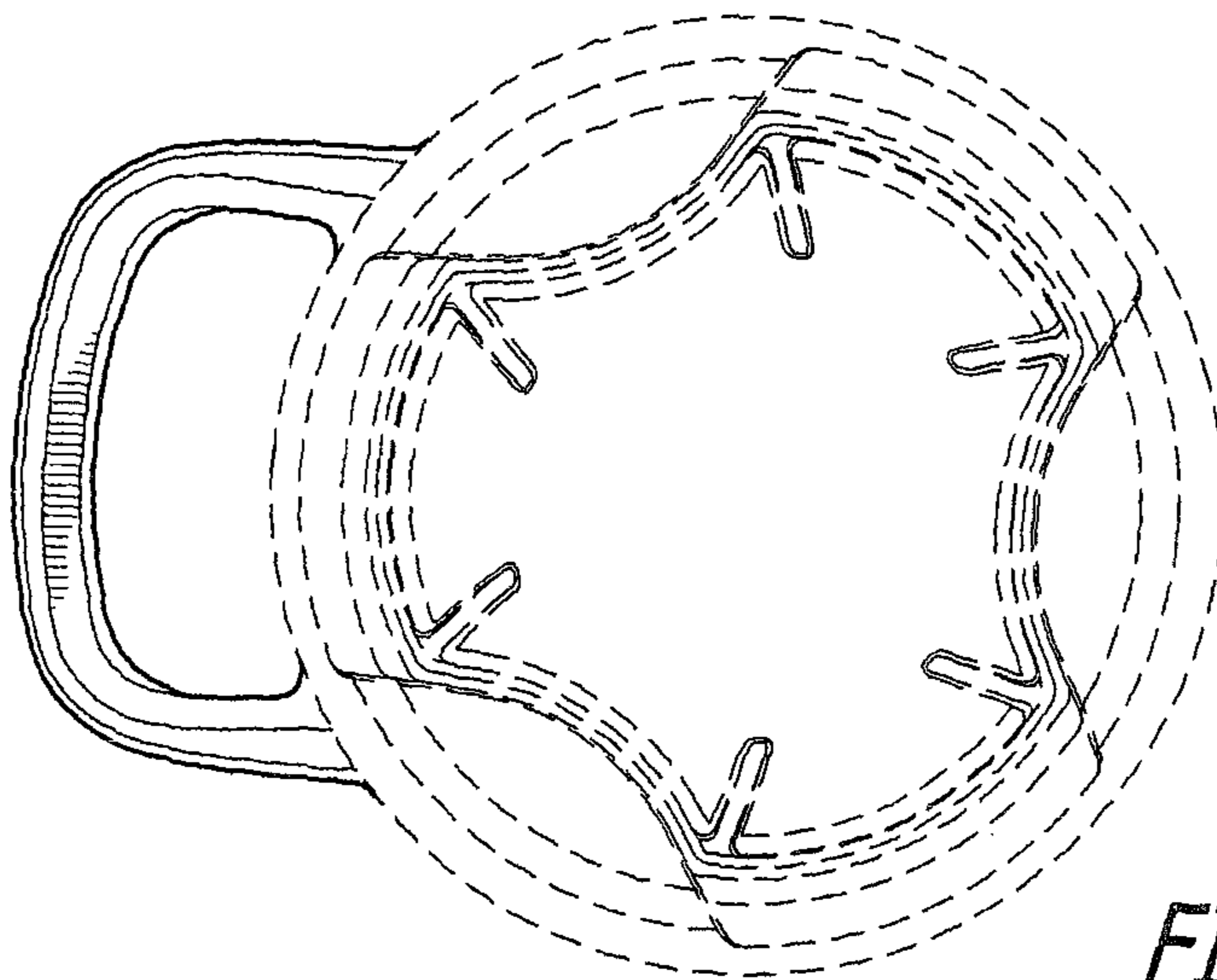


FIG. 8