

US00D739170S

(12) **United States Design Patent**
Chung

(10) **Patent No.:** **US D739,170 S**

(45) **Date of Patent:** **** Sep. 22, 2015**

(54) **BARBECUE GRILL**

(71) Applicant: **Kiosky Chung**, Taichung (TW)

(72) Inventor: **Kiosky Chung**, Taichung (TW)

(**) Term: **14 Years**

(21) Appl. No.: **29/475,872**

(22) Filed: **Dec. 7, 2013**

(51) **LOC (10) Cl.** **07-02**

(52) **U.S. Cl.**
USPC **D7/337**

(58) **Field of Classification Search**
USPC D7/332, 334–337, 402–405, 416–417
CPC A47J 37/0704; A47J 37/0763; A47J
37/0745; A47J 37/0713; A23B 4/052; F24C
3/14; F24C 3/027; F24B 1/205
See application file for complete search history.

(56) **References Cited**

U.S. PATENT DOCUMENTS

D243,310 S * 2/1977 Heberling D7/337
D258,108 S * 2/1981 Cone D7/332
D282,811 S * 3/1986 Best D7/332

D370,380 S * 6/1996 McGourthy et al. D7/332
D381,551 S * 7/1997 Sternberg D7/332
5,947,013 A * 9/1999 Stewart, Jr. 99/446
D488,665 S * 4/2004 Zhi D7/332
2008/0163865 A1 * 7/2008 Ho 126/9 B
2010/0083947 A1 * 4/2010 Guillory et al. 126/25 R

* cited by examiner

Primary Examiner — Ruth McInroy

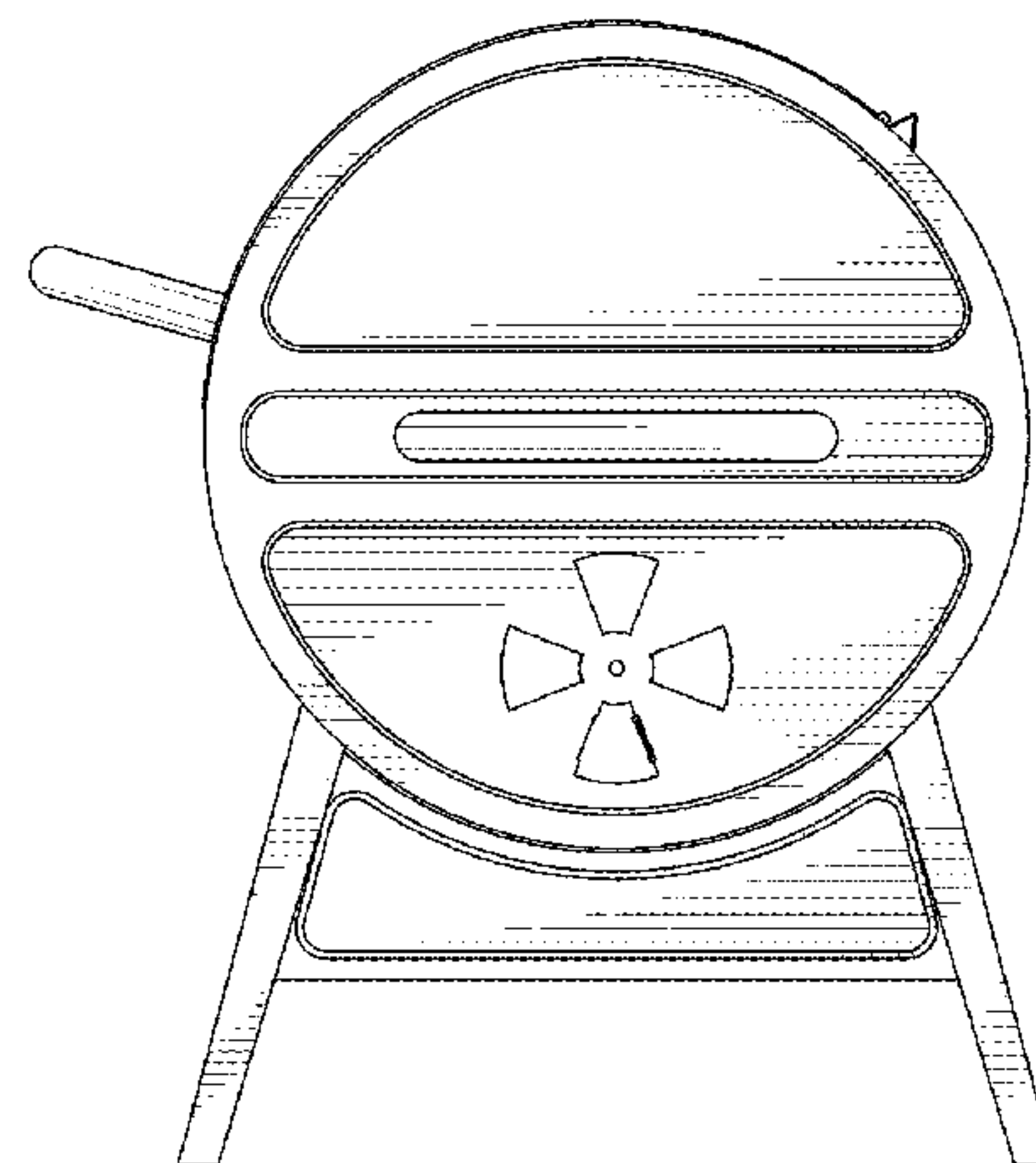
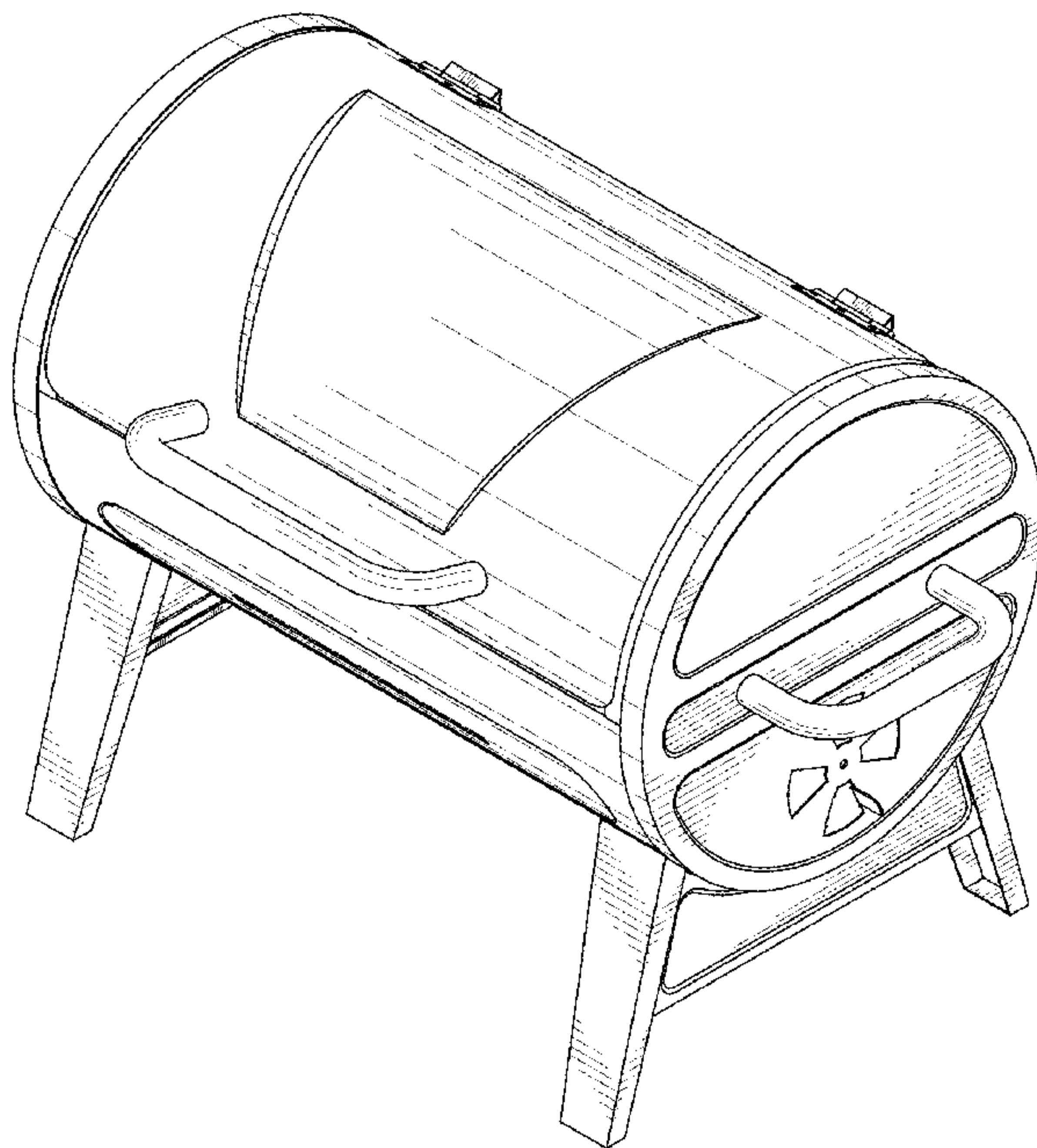
(57) **CLAIM**

I claim the ornamental design for a barbecue grill, as shown and described.

DESCRIPTION

FIG. 1 is a perspective view of a barbecue grill, showing my new design;
FIG. 2 is a front elevational view thereof;
FIG. 3 is a rear elevational view thereof;
FIG. 4 is a left side elevational view thereof;
FIG. 5 is a right side elevational view thereof;
FIG. 6 is a top plan view thereof; and,
FIG. 7 is a bottom plan view thereof.

1 Claim, 7 Drawing Sheets



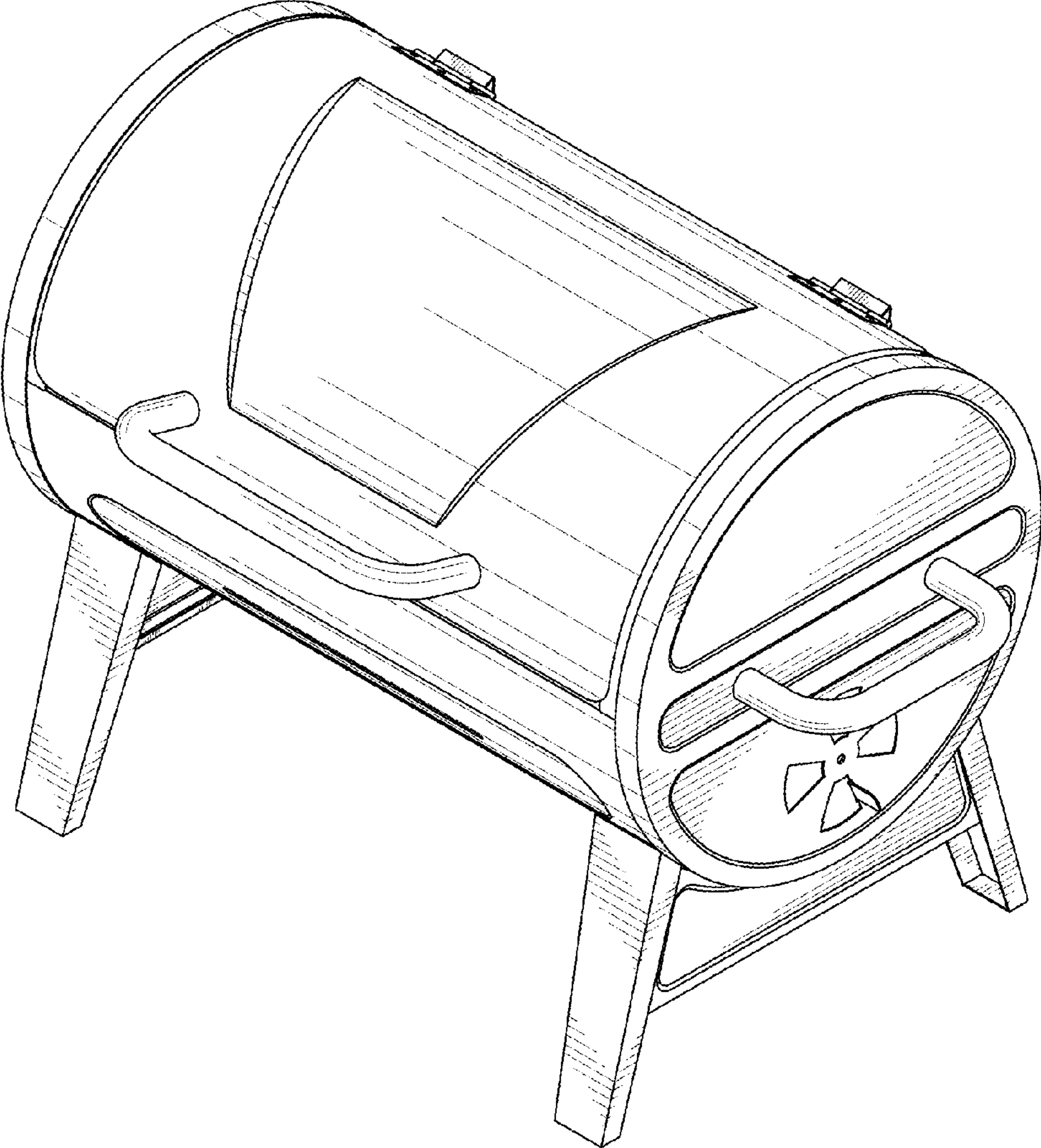


FIG.1

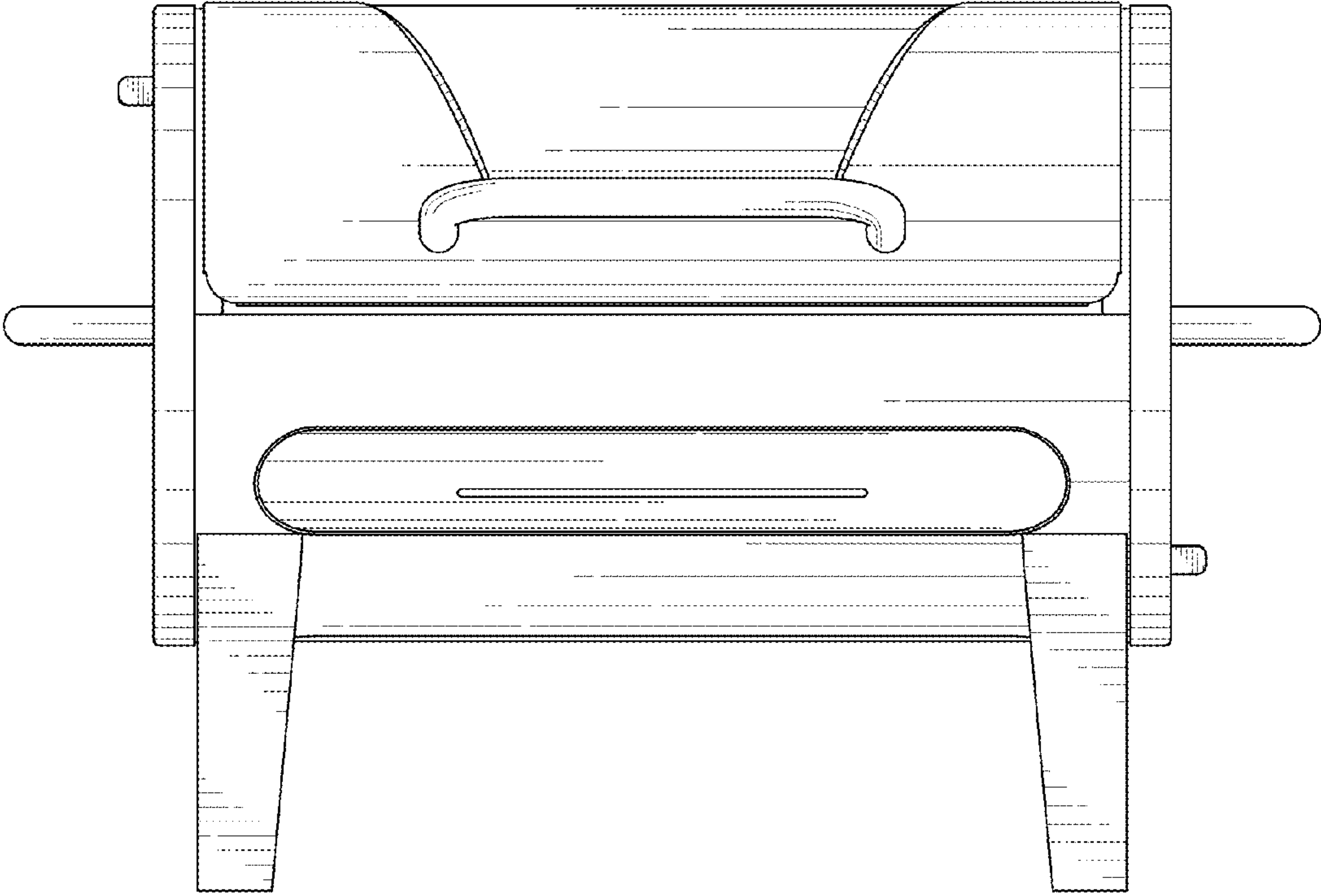


FIG.2

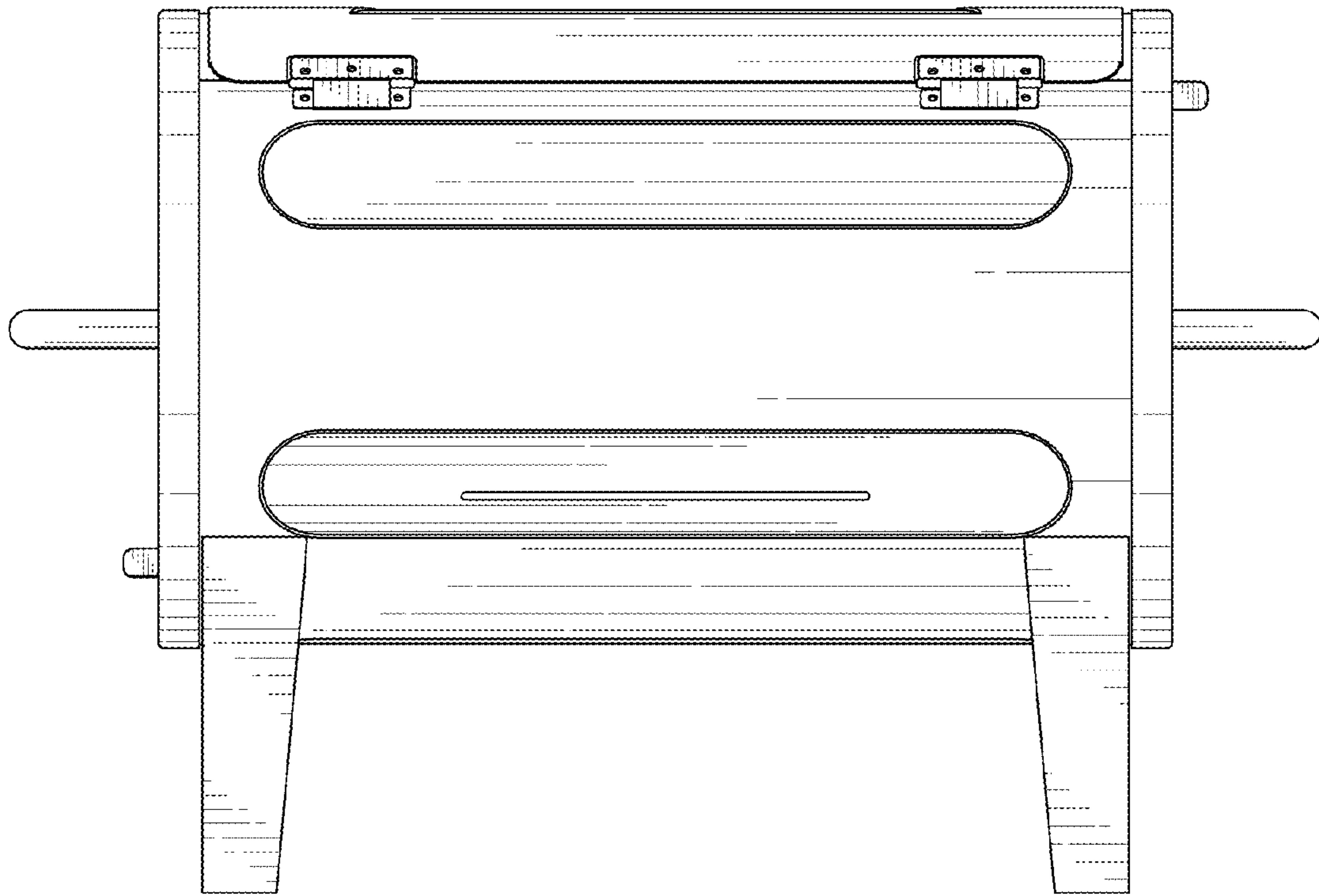


FIG.3

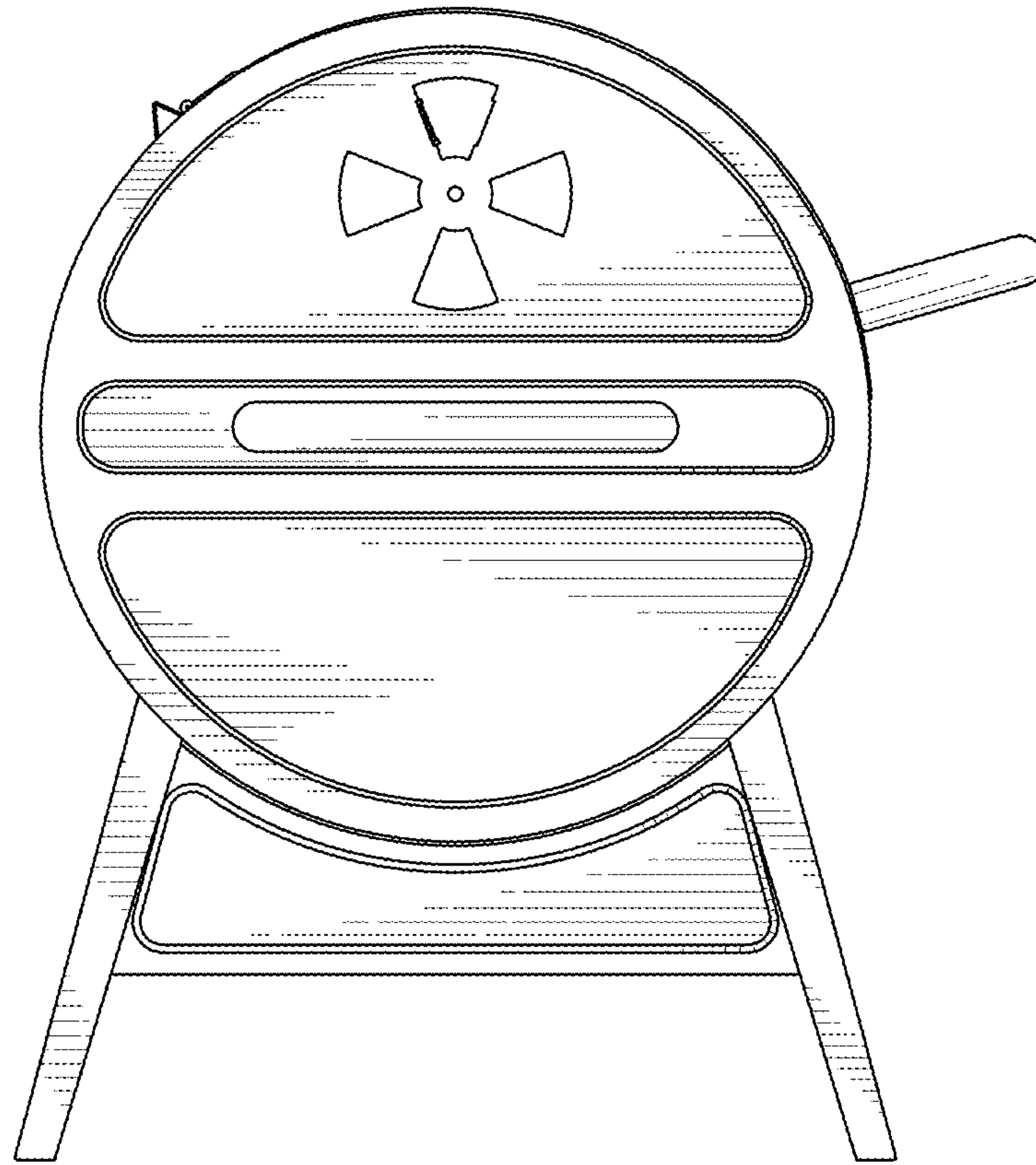


FIG.4

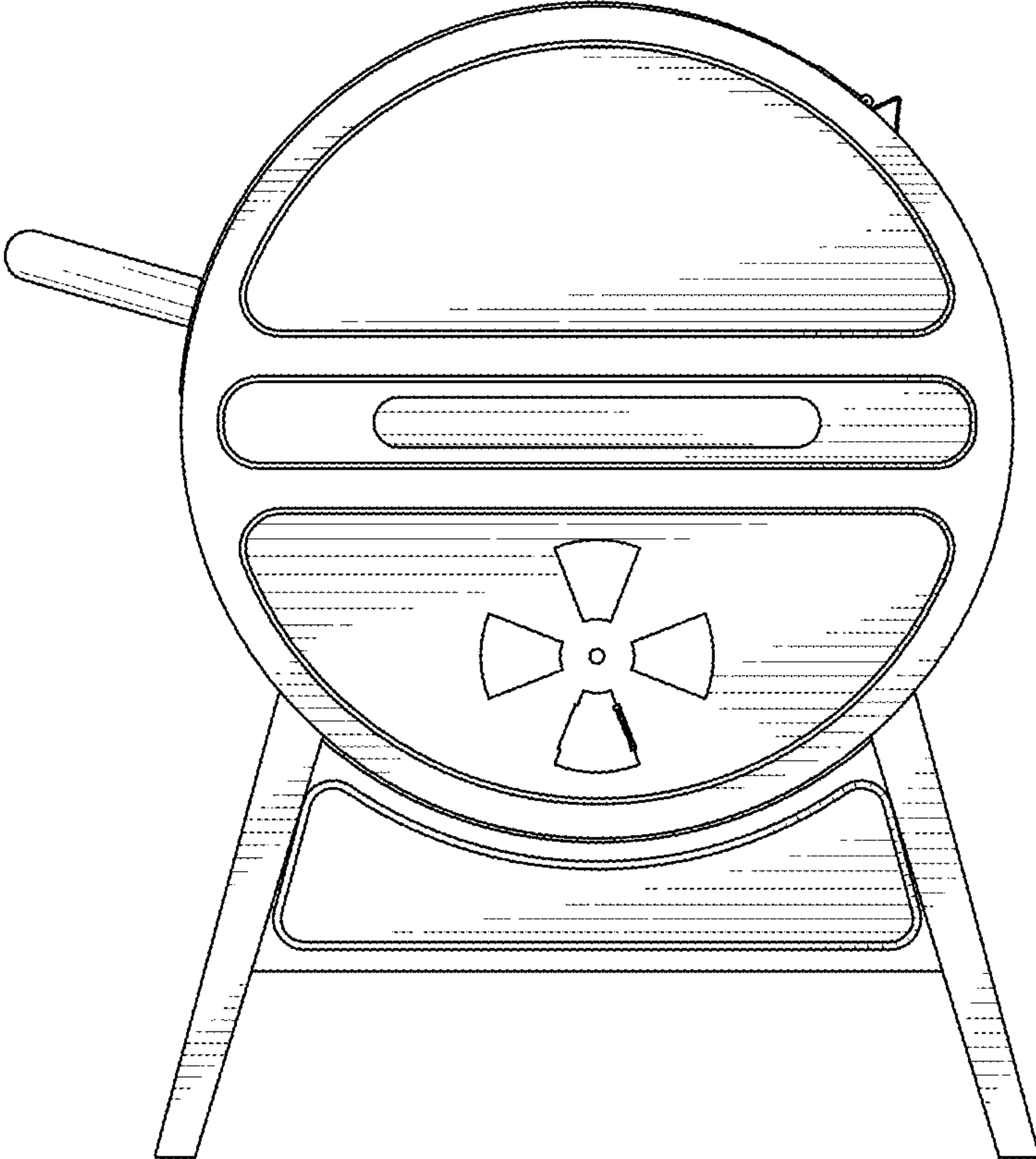


FIG.5

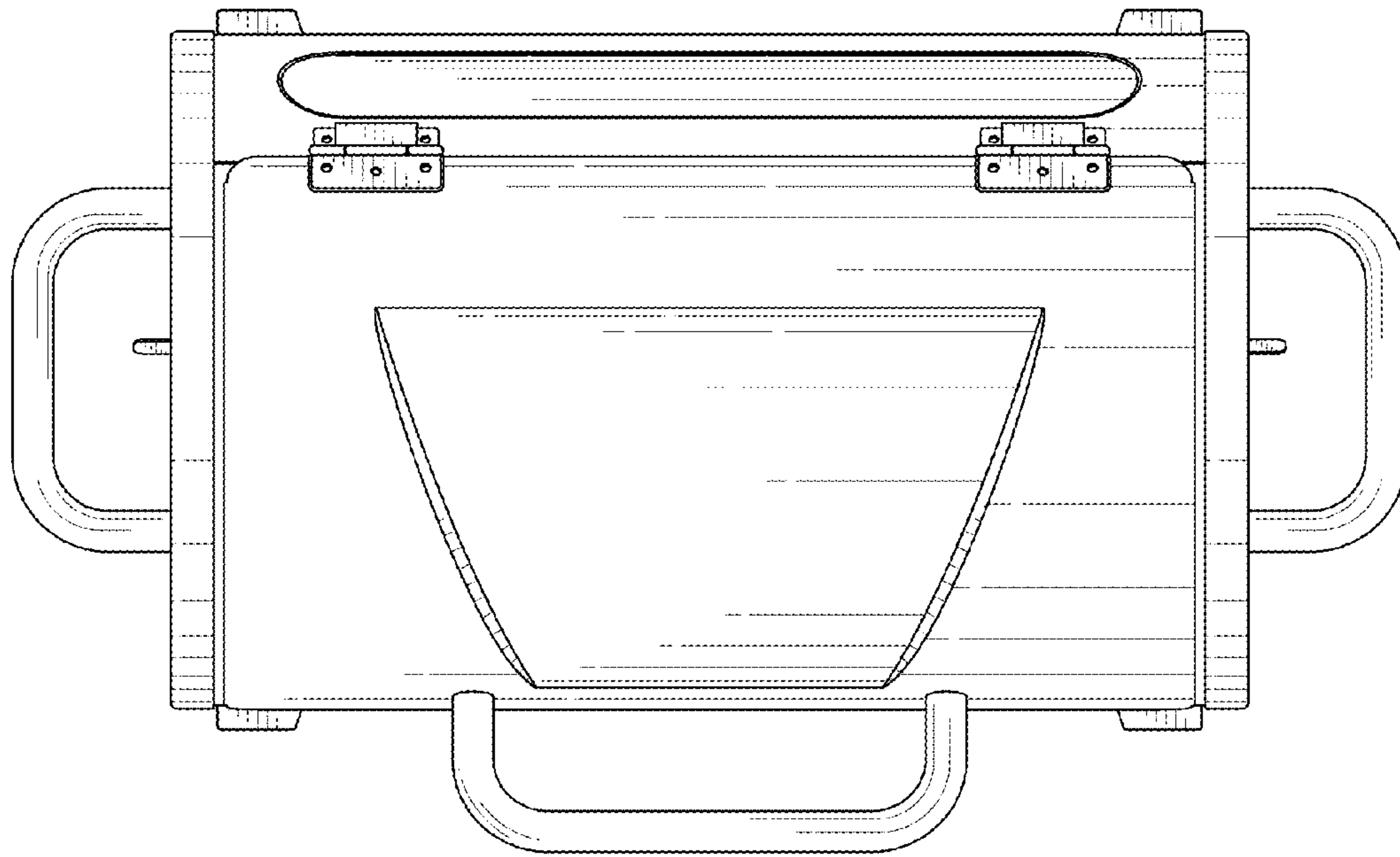


FIG.6

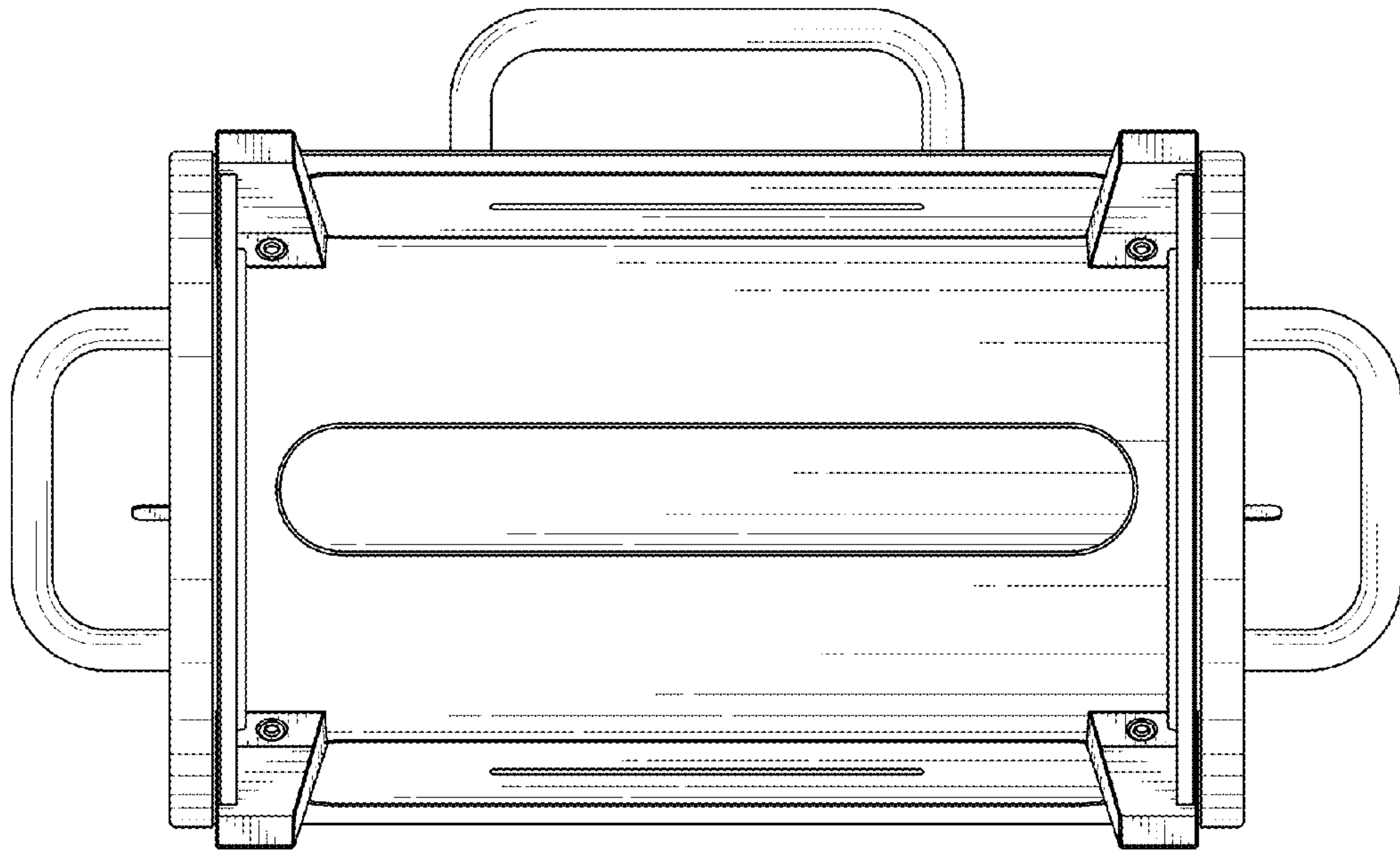


FIG.7