

US00D739169S

(12) **United States Design Patent**
Shao et al.

(10) **Patent No.:** **US D739,169 S**
(45) **Date of Patent:** **** Sep. 22, 2015**

(54) **COFFEE BREWER**

(71) Applicant: **Whirlpool Corporation**, Benton Harbor, MI (US)

(72) Inventors: **Ben C. Shao**, Clarendon Hills, IL (US);
Wenkai Wu, Aurora, IL (US)

(73) Assignee: **Whirlpool Corporation**, Benton Harbor, MI (US)

(**) Term: **14 Years**

(21) Appl. No.: **29/484,838**

(22) Filed: **Mar. 13, 2014**

(51) **LOC (10) Cl.** **07-01**

(52) **U.S. Cl.**
USPC **D7/309; D7/311**

(58) **Field of Classification Search**
USPC D7/306-311, 305, 300; 99/279, 284,
99/290, 280, 299, 307, 323.1; 222/23;
62/395
CPC A47J 31/44
See application file for complete search history.

(56) **References Cited**

U.S. PATENT DOCUMENTS

D298,402 S	*	11/1988	Seiffert	D7/309
D353,296 S	*	12/1994	Assmann	D7/309
D478,765 S	*	8/2003	Seum et al.	D7/308
D496,214 S	*	9/2004	Ledingham et al.	D7/309
D502,042 S	*	2/2005	Lin	D7/309
D530,560 S	*	10/2006	Lin	D7/309

D582,714 S	*	12/2008	Hensel	D7/309
D687,255 S	*	8/2013	Grasselli et al.	D7/309
D714,088 S	*	9/2014	Cahen	D7/309
D720,567 S	*	1/2015	Cauwood et al.	D7/306
D721,911 S	*	2/2015	Cauwood et al.	D7/306
D722,807 S	*	2/2015	Anglada	D7/309

* cited by examiner

Primary Examiner — Marianne Pandozzi

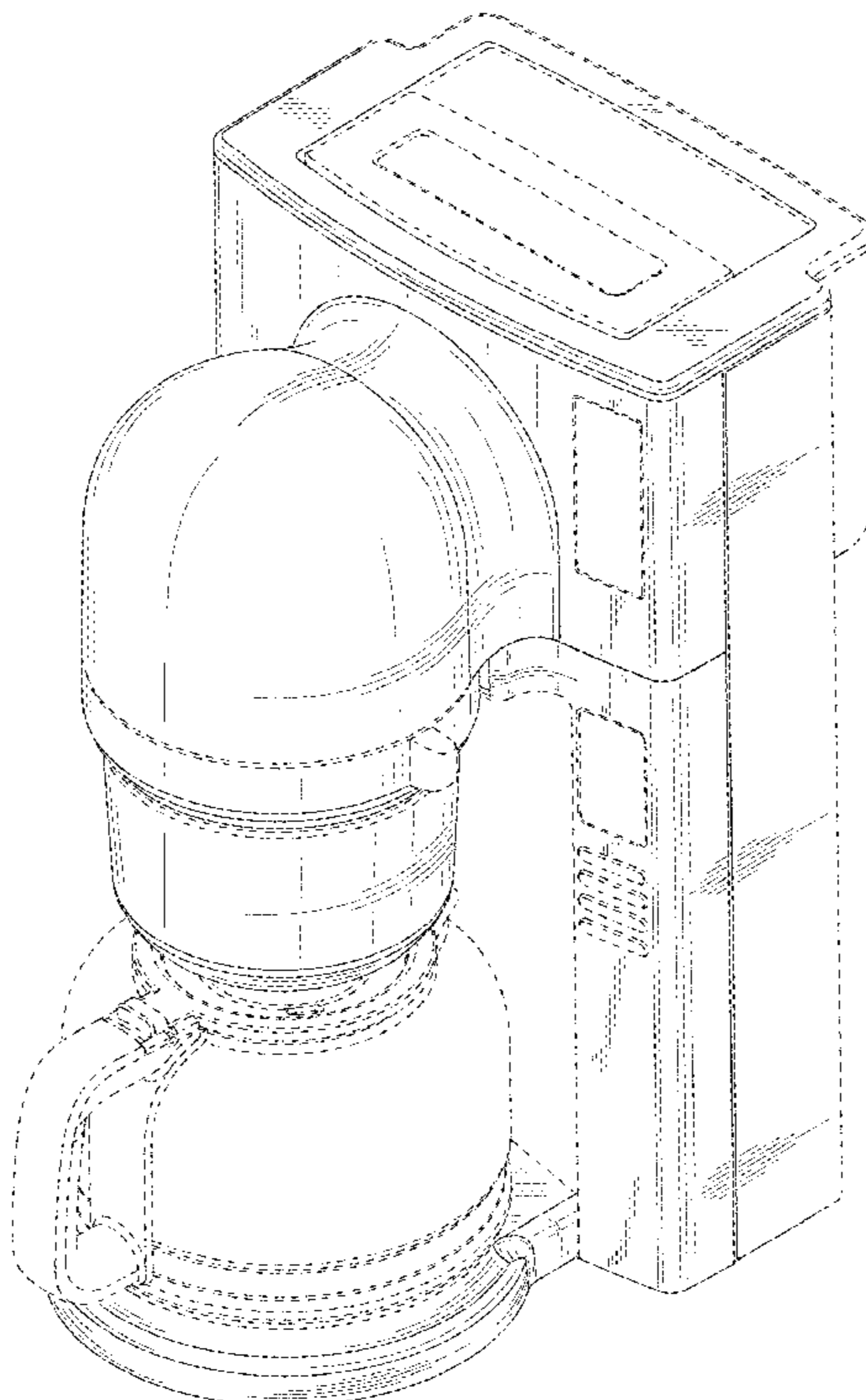
(57) **CLAIM**

We claim the ornamental design for a coffee brewer, as shown and described.

DESCRIPTION

FIG. 1 is a front perspective view of one embodiment of a coffee brewer of the present disclosure; FIG. 2 is a rear perspective view of the coffee brewer of FIG. 1; FIG. 3 is a front elevational view of the coffee brewer of FIG. 1; FIG. 4 is a rear elevational view of the coffee brewer of FIG. 1; FIG. 5 is a first side elevational view of the coffee brewer of FIG. 1; FIG. 6 is a second side elevational view of the coffee brewer of FIG. 1; FIG. 7 is a top plan view of the coffee brewer of FIG. 1; and, FIG. 8 is a bottom plan view of the coffee brewer of FIG. 1.

1 Claim, 8 Drawing Sheets



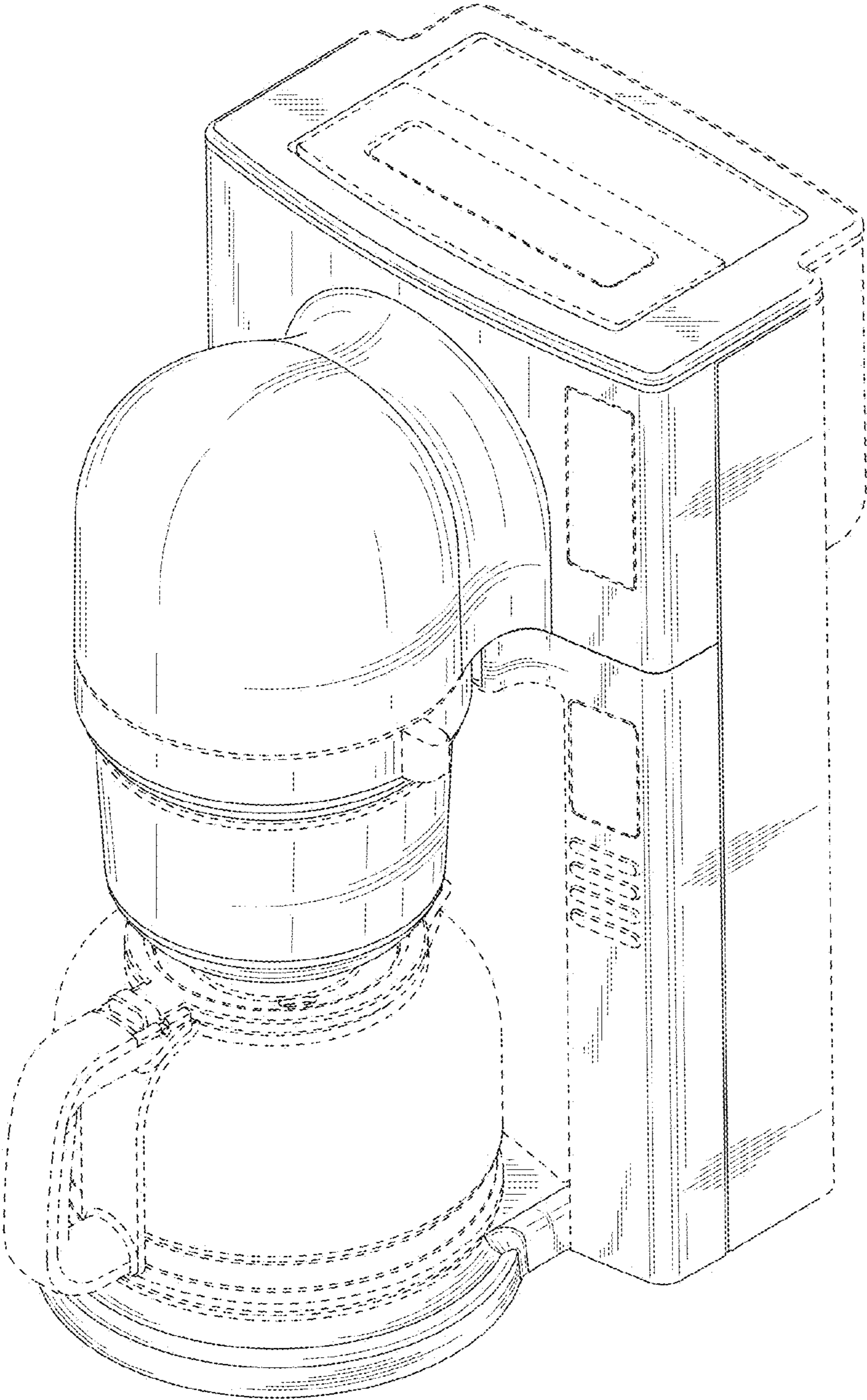


FIG. 1

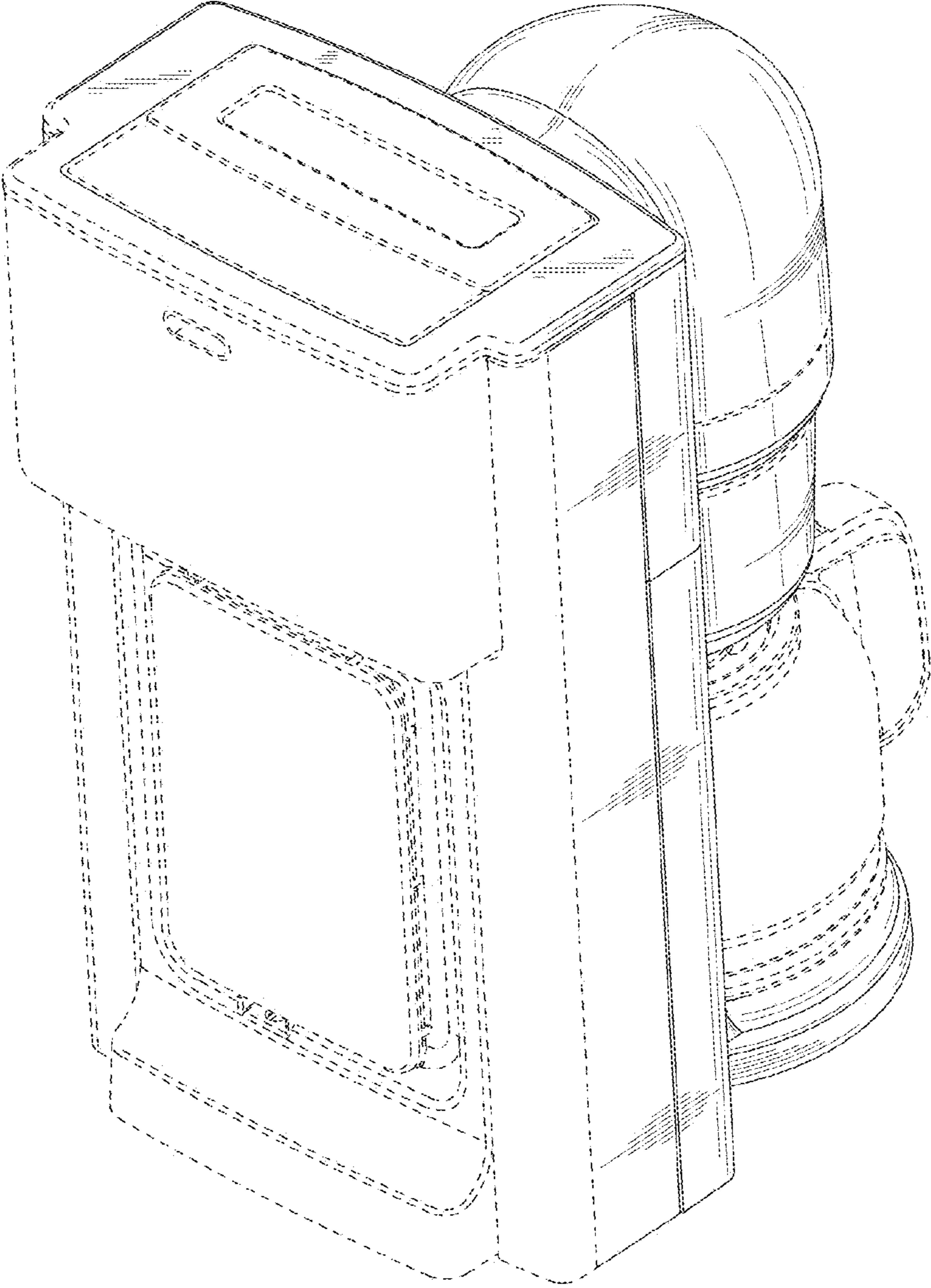


FIG. 2

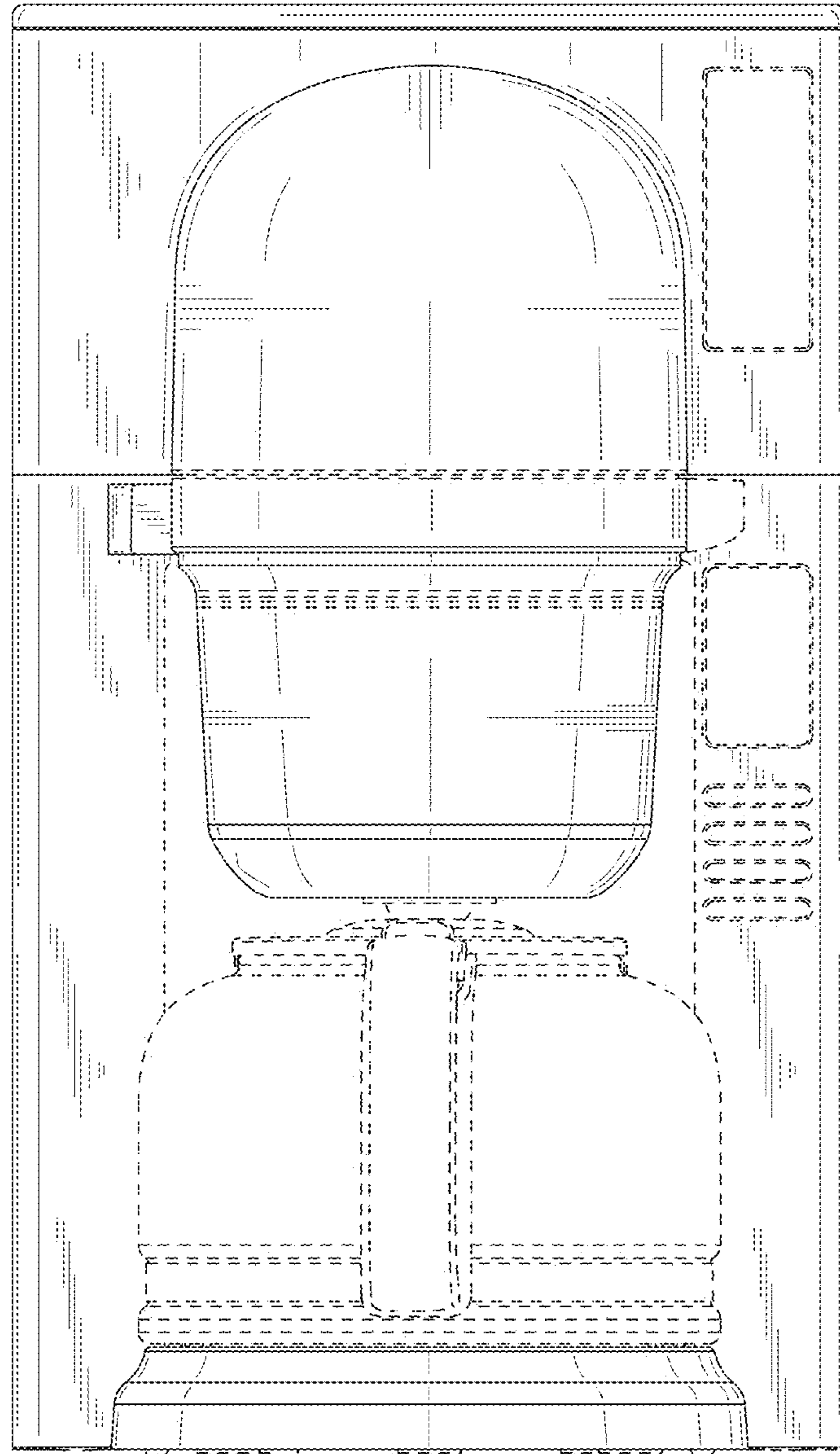


FIG. 3

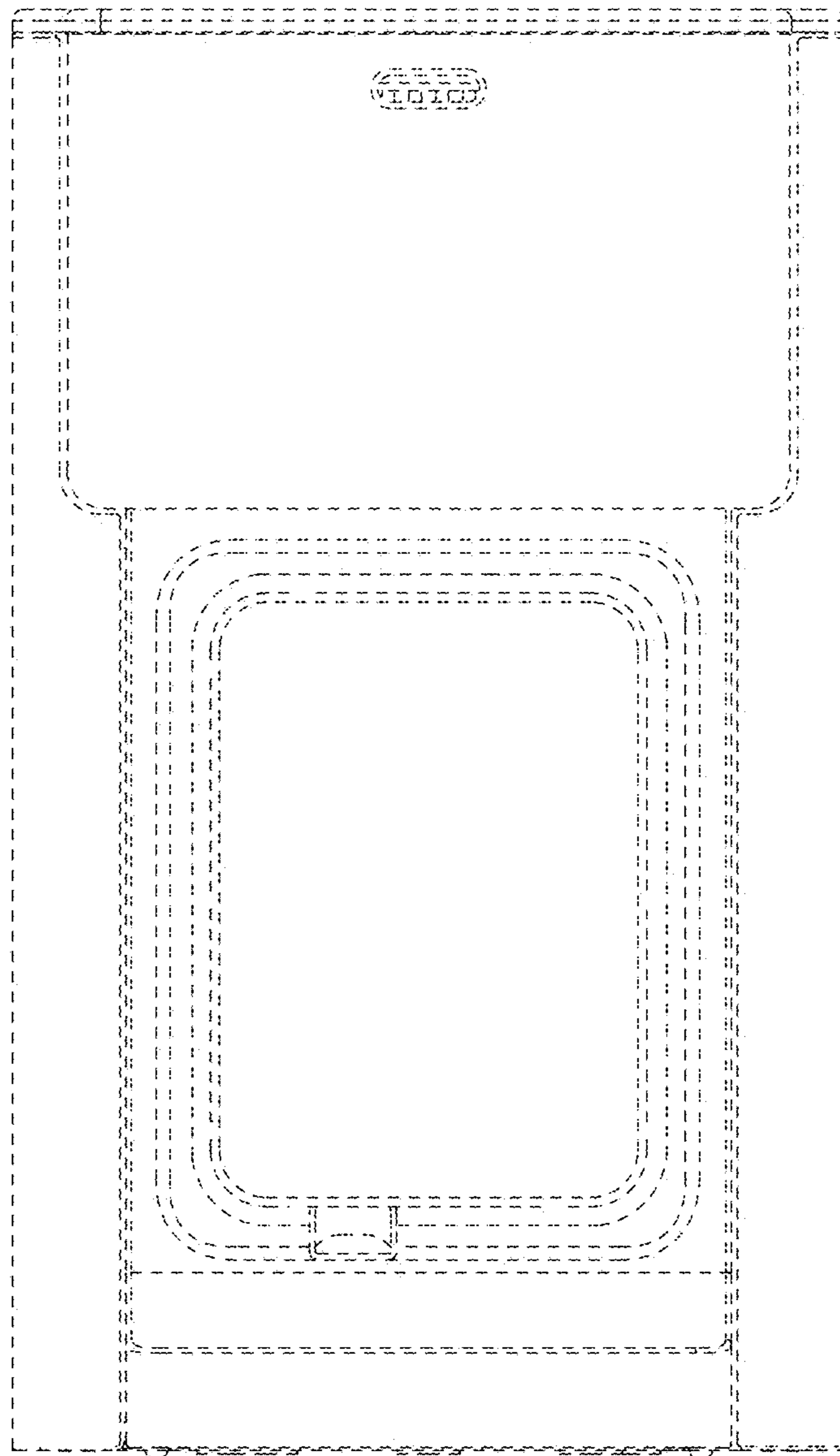


FIG. 4

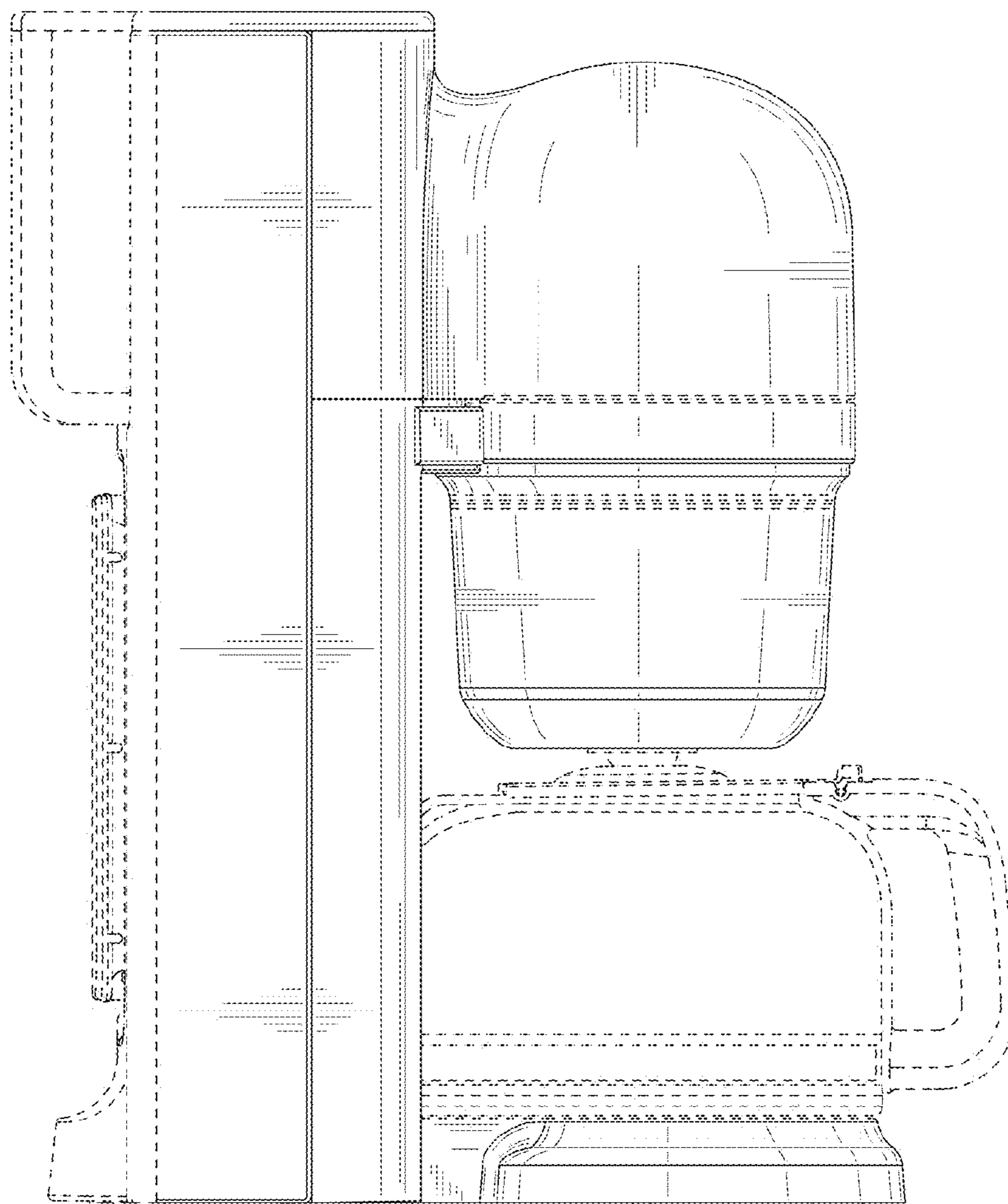


FIG. 5

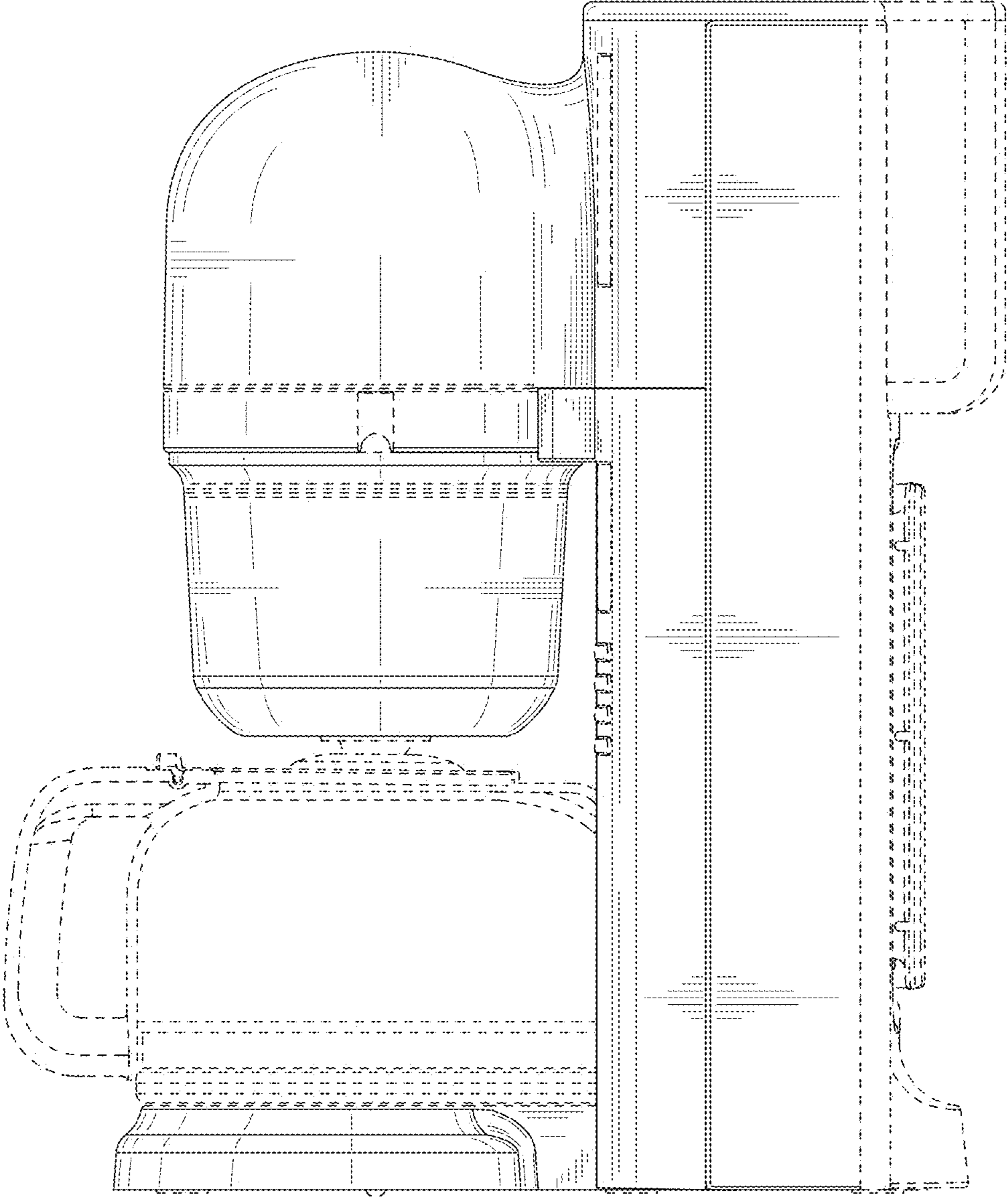


FIG. 6

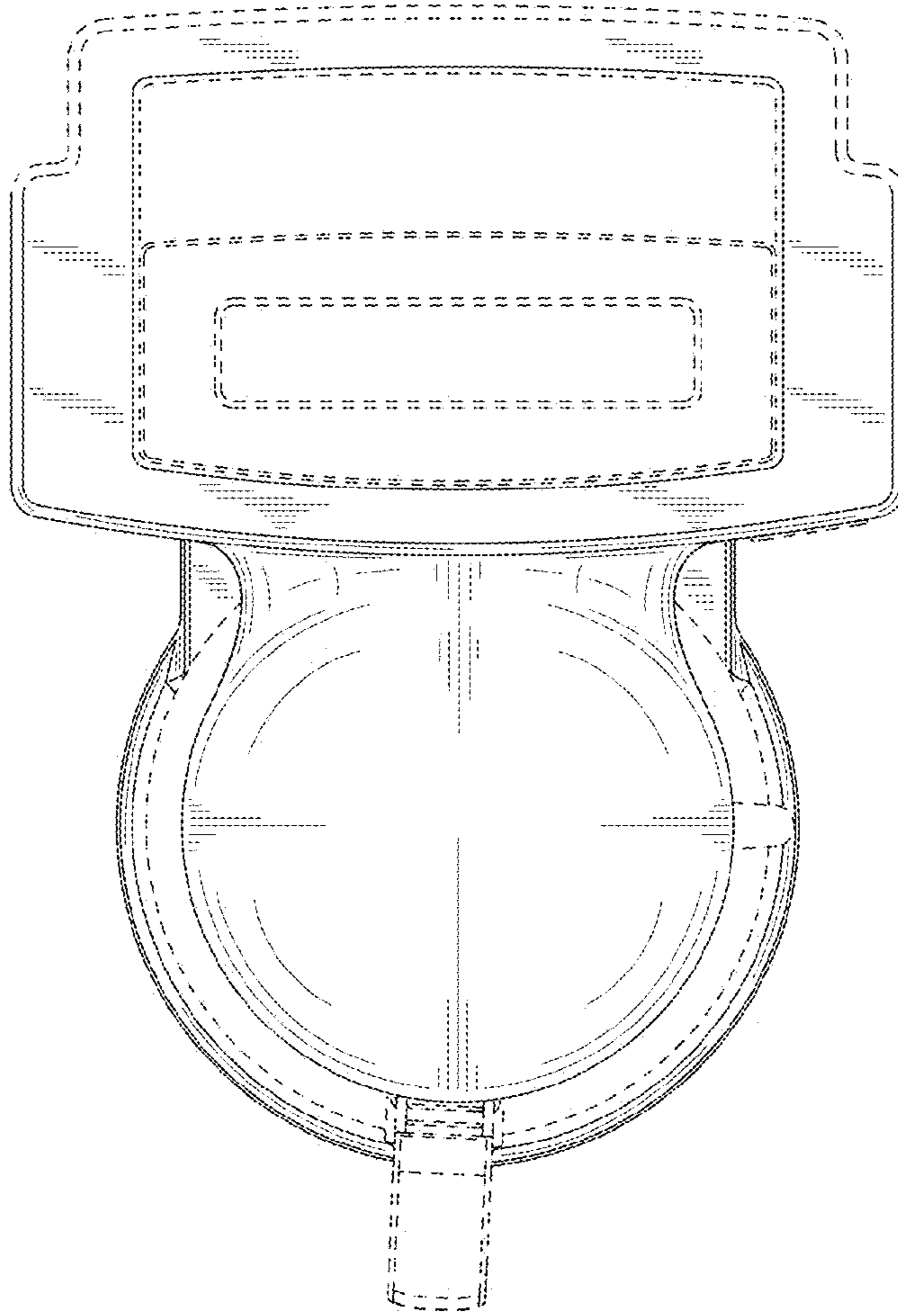


FIG. 7

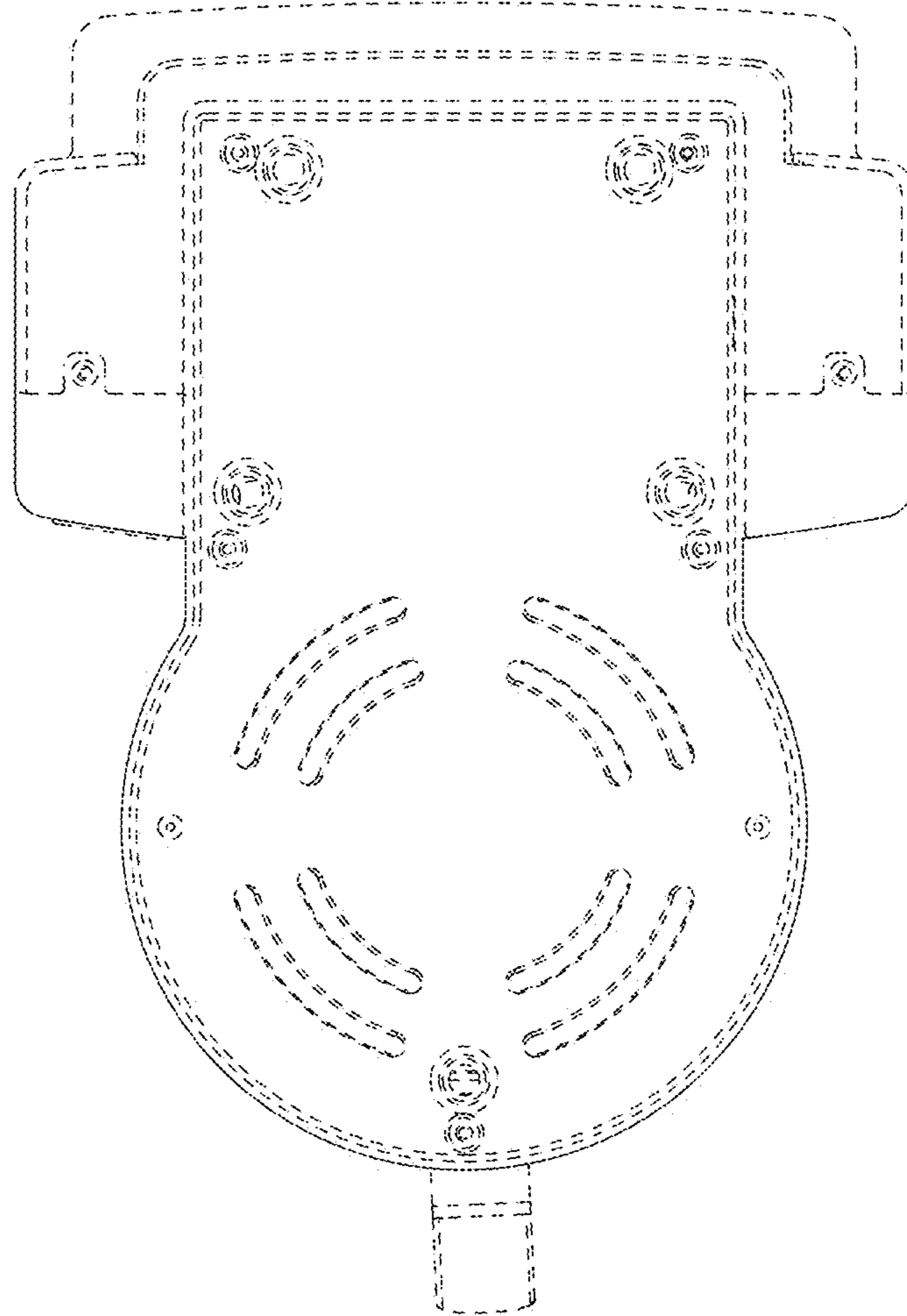


FIG. 8