



US00D739167S

(12) **United States Design Patent**
Barber et al.

(10) **Patent No.:** **US D739,167 S**

(45) **Date of Patent:** **** Sep. 22, 2015**

(54) **TABLE**

(71) Applicant: **Knoll, Inc.**, East Greenville, PA (US)

(72) Inventors: **Edward Barber**, London (GB); **Jay Osgerby**, London (GB)

(73) Assignee: **Knoll, Inc.**, East Greenville, PA (US)

(**) Term: **14 Years**

(21) Appl. No.: **29/485,970**

(22) Filed: **Mar. 25, 2014**

(51) **LOC (10) Cl.** **06-03**

(52) **U.S. Cl.**
USPC **D6/692**

(58) **Field of Classification Search**
USPC D6/692, 692.1, 692.4, 692.6, 349
CPC A47B 7/00; A47B 13/00; A47B 13/02;
A47B 13/04; A47B 13/06; A47B 2200/11;
A47B 91/00; A47B 91/005; A47B 13/08;
A47B 13/088; A47B 2200/001

See application file for complete search history.

(56) **References Cited**

U.S. PATENT DOCUMENTS

D233,108 S * 10/1974 Rosen D6/692.5
D720,143 S * 12/2014 Barber et al. D6/352
D722,799 S * 2/2015 Urban et al. D6/692.4

* cited by examiner

Primary Examiner — Janice Seeger

(74) *Attorney, Agent, or Firm* — Buchanan Ingersoll & Rooney PC

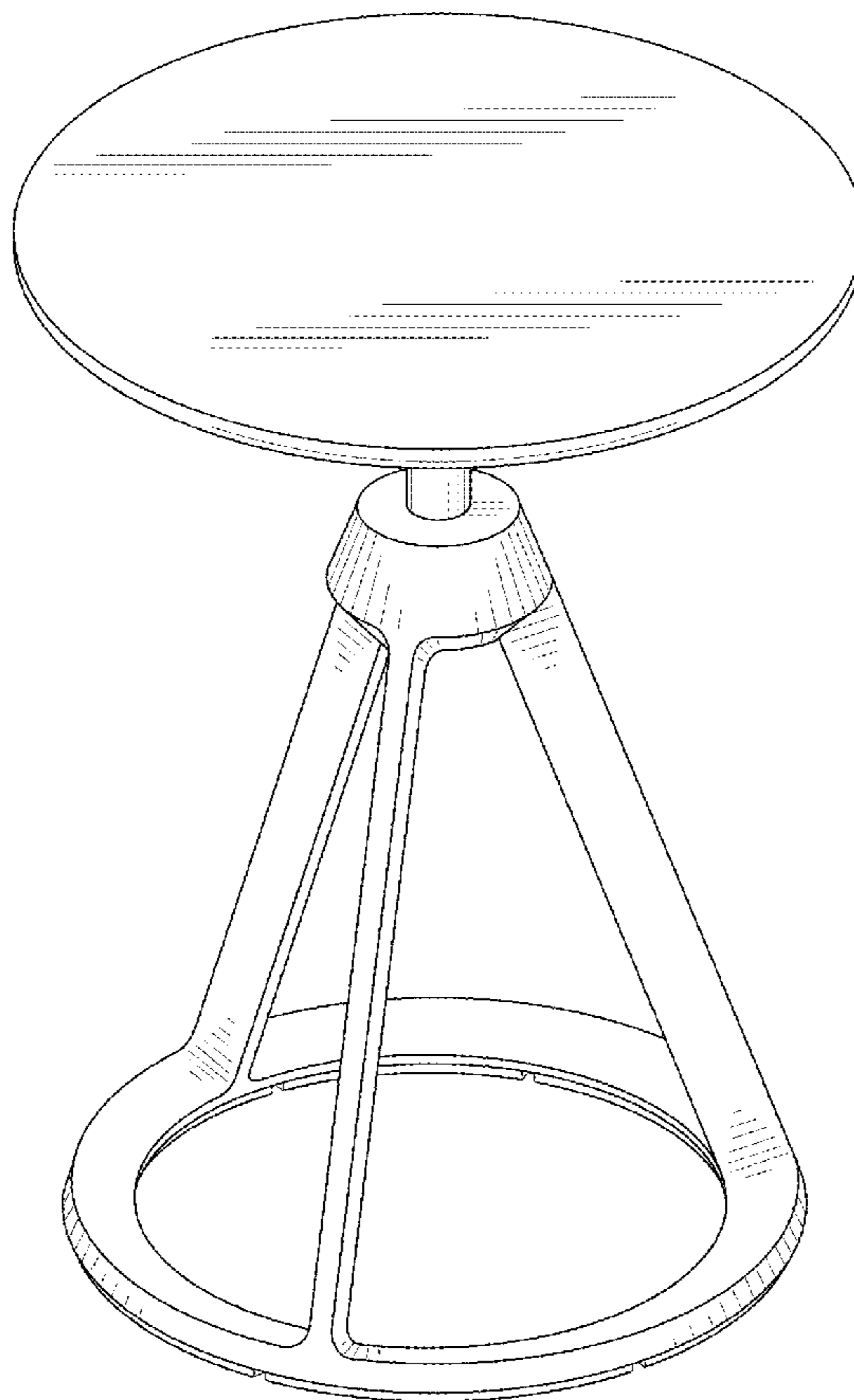
(57) **CLAIM**

The ornamental design for a table, as shown and described.

DESCRIPTION

FIG. 1 is a perspective view of a table showing our new design;
FIG. 2 is a front elevational view thereof;
FIG. 3 is a rear elevational view thereof;
FIG. 4 is a right side elevational view thereof;
FIG. 5 is a left side elevational view thereof;
FIG. 6 is a top plan view thereof; and,
FIG. 7 is a bottom plan view thereof.
The broken lines are for environmental purposes only and form no part of the claimed design.

1 Claim, 4 Drawing Sheets



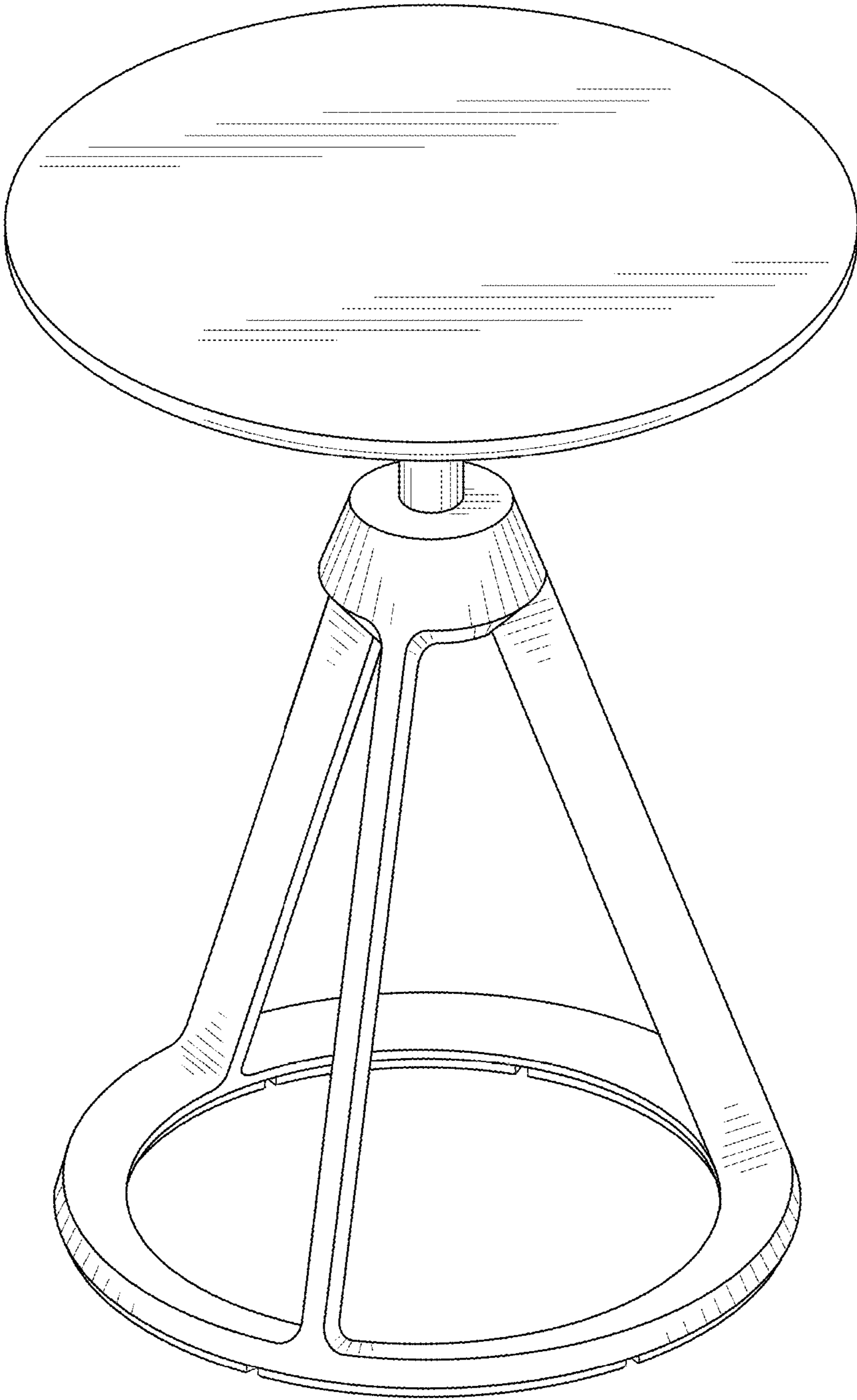


FIG. 1

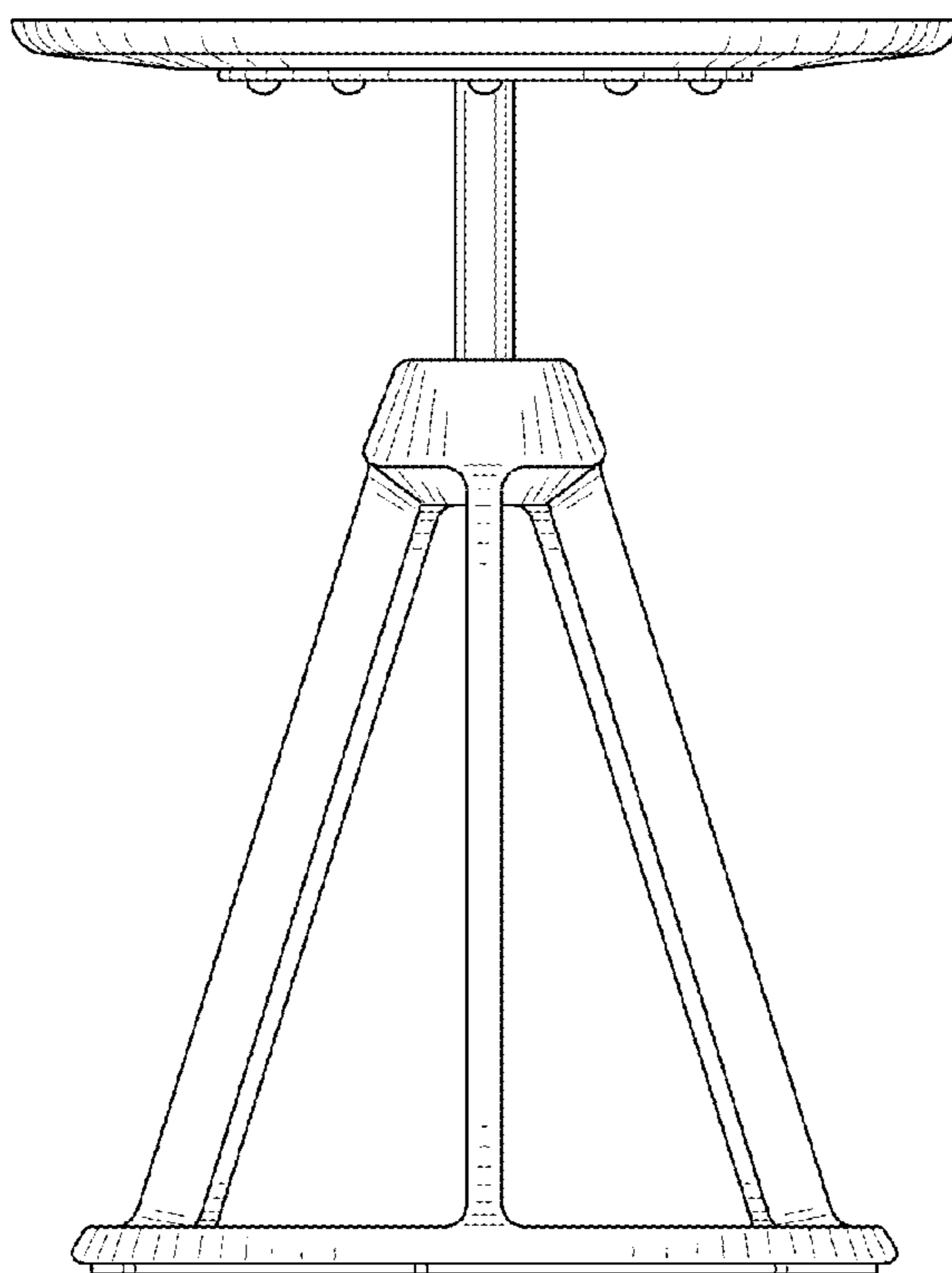


FIG. 2

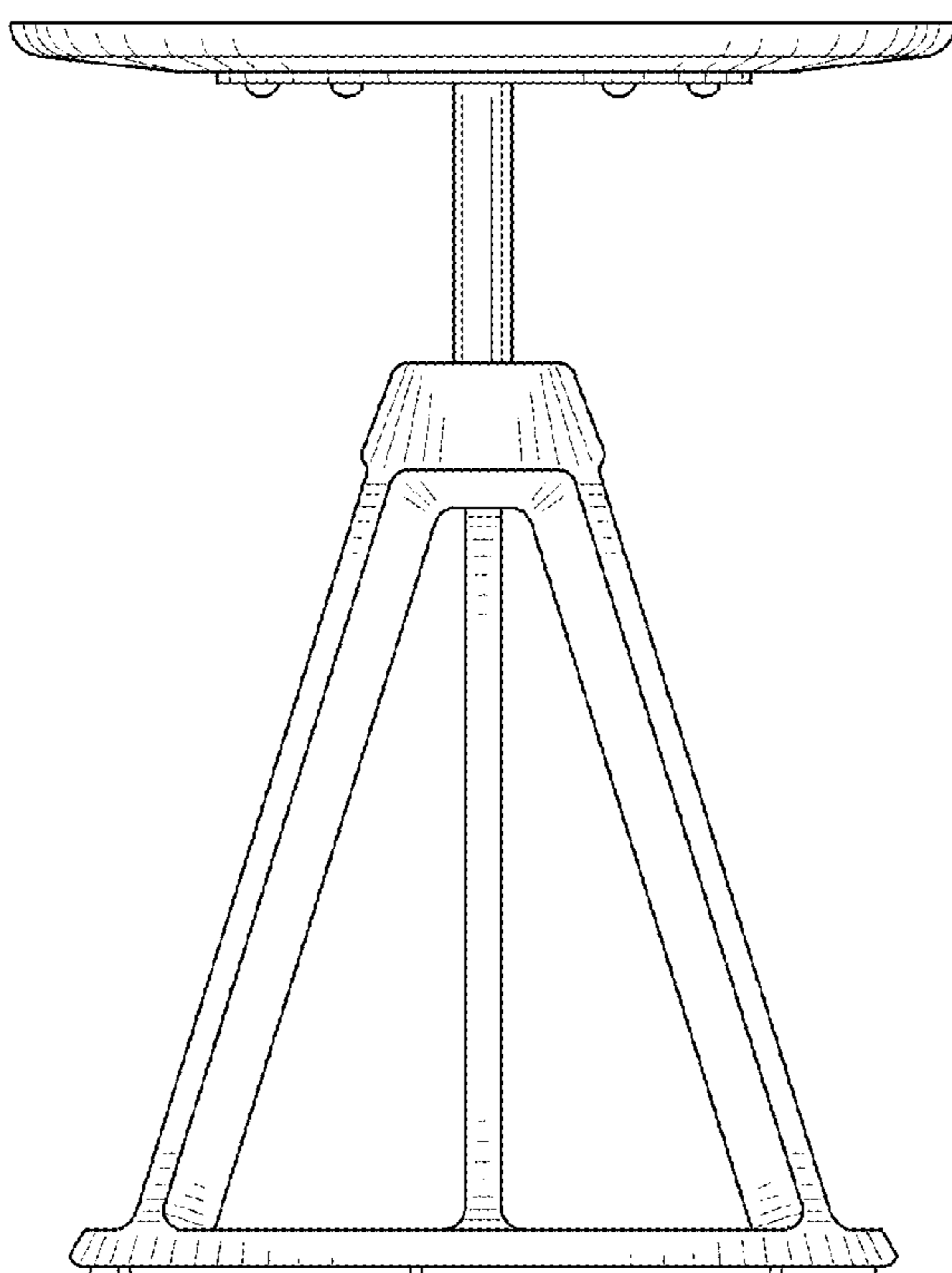


FIG. 3

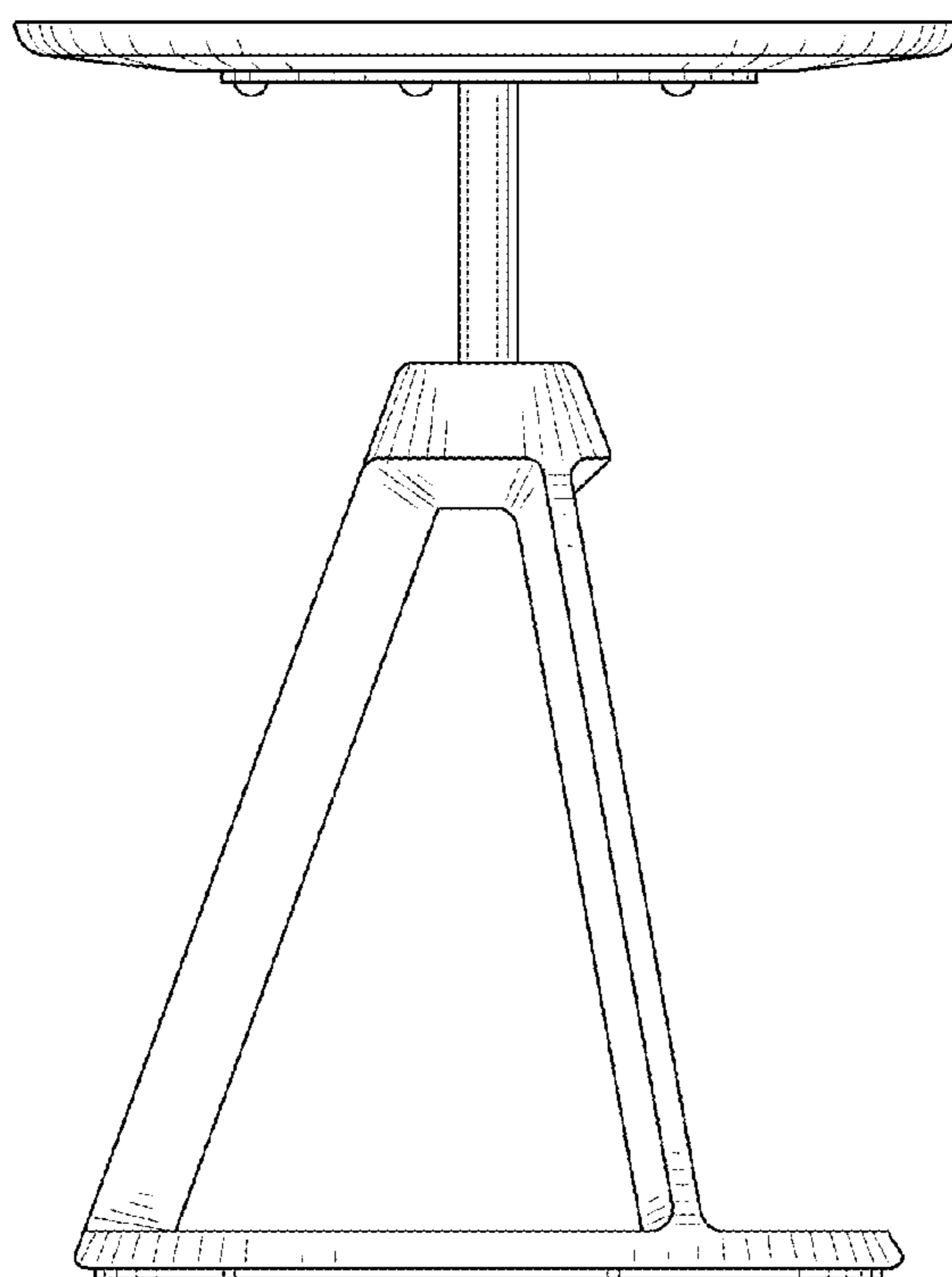


FIG. 4

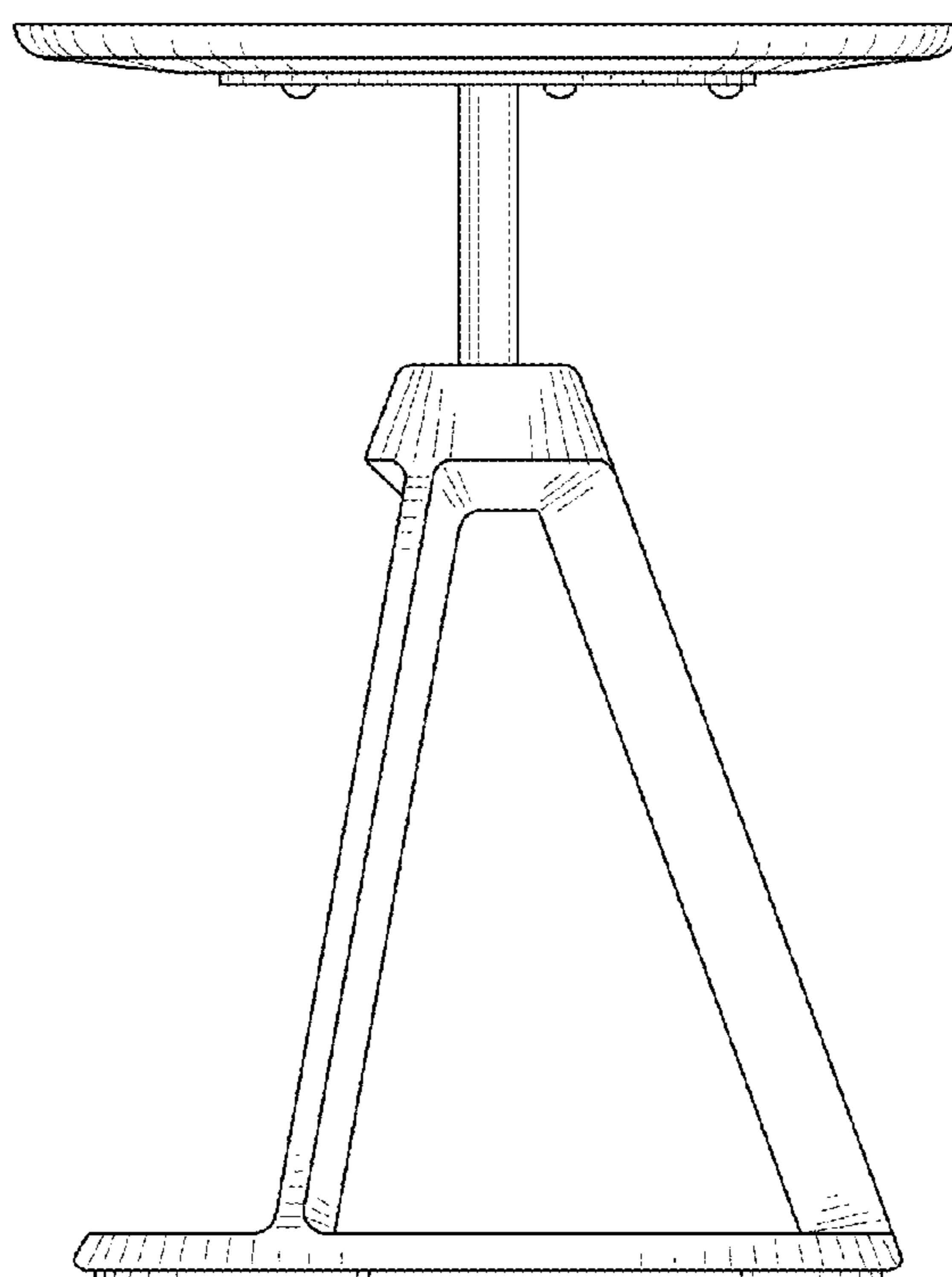


FIG. 5

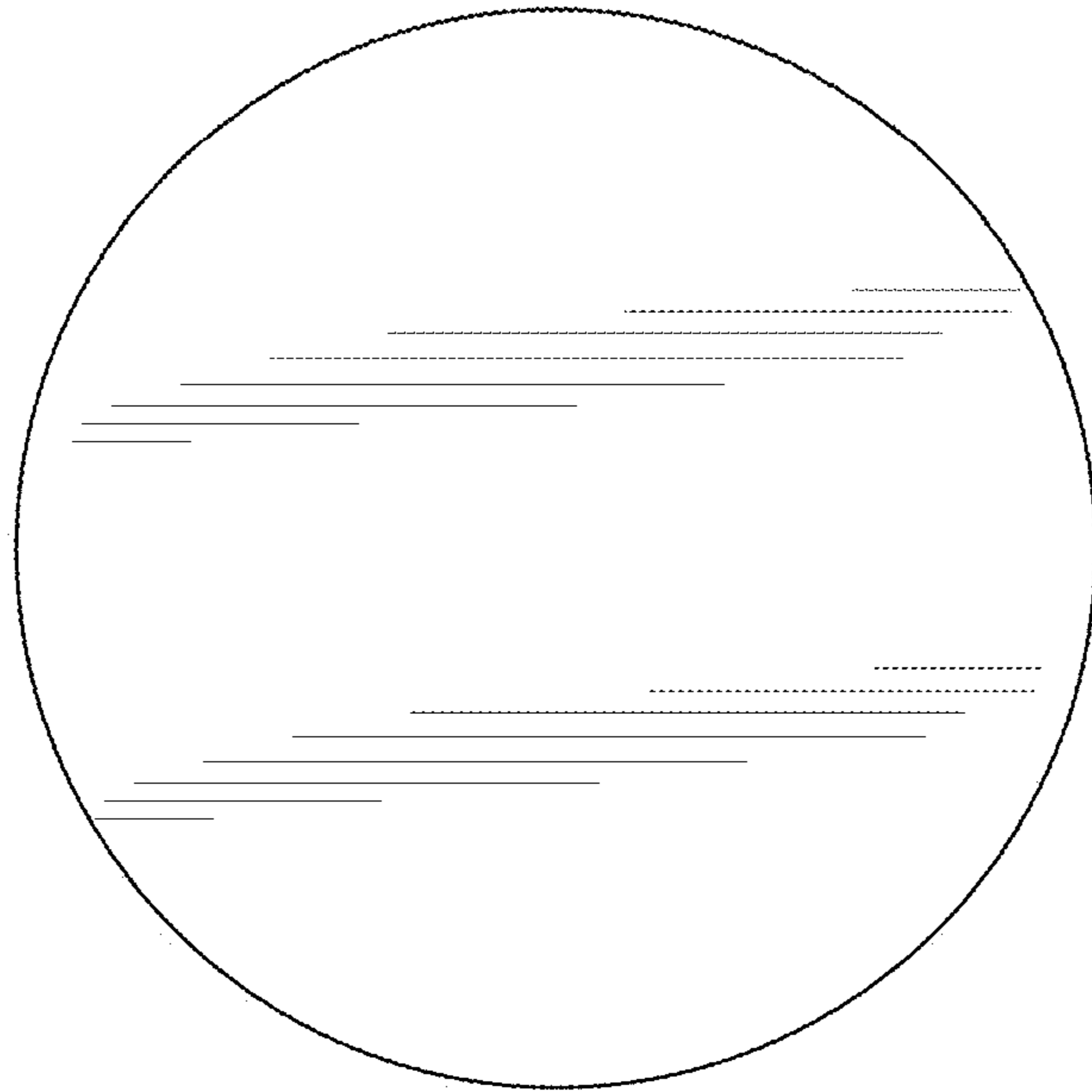


FIG. 6

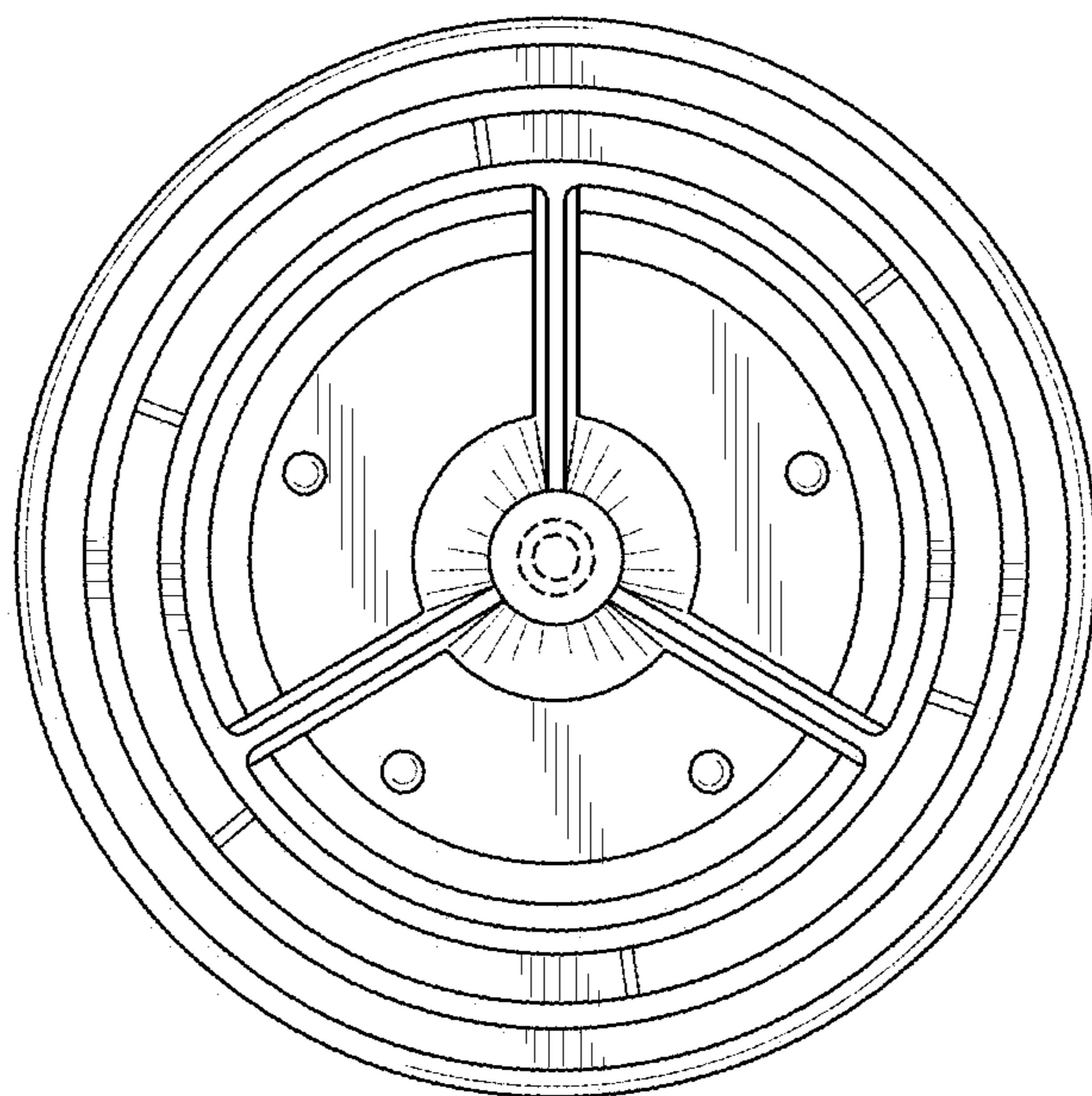


FIG. 7