



US00D739166S

(12) **United States Design Patent**
Dockery

(10) **Patent No.:** **US D739,166 S**

(45) **Date of Patent:** **** Sep. 22, 2015**

(54) **JEWELRY DISPLAY CASE**

(71) Applicant: **Rebecca Dockery**, Justin, TX (US)

(72) Inventor: **Rebecca Dockery**, Justin, TX (US)

(**) Term: **14 Years**

(21) Appl. No.: **29/492,823**

(22) Filed: **Jun. 3, 2014**

(51) **LOC (10) Cl.** **06-04**

(52) **U.S. Cl.**
USPC **D6/672**

(58) **Field of Classification Search**

USPC D3/25, 294; D6/513, 524, 540, 545,
D6/574, 657, 662, 663, 680.2, 682.6, 691,
D6/694.2; D7/701, 708; 206/6.1; 211/85.2

CPC A47F 3/00; A47F 3/004
See application file for complete search history.

(56) **References Cited**

U.S. PATENT DOCUMENTS

D240,986 S *	8/1976	Young	D3/25
D360,547 S *	7/1995	Chaparro et al.	D6/682.6
D367,592 S *	3/1996	Newport	D7/701
D393,542 S *	4/1998	Thompson	D3/294
D409,847 S *	5/1999	Augspurger	D6/324
5,931,319 A *	8/1999	Murphy	211/85.2
D436,727 S *	1/2001	Hsu	D3/294
D444,947 S *	7/2001	Nelson	D3/294
D460,902 S *	7/2002	Battle	D7/708
D592,436 S *	5/2009	Thompson et al.	D6/574

D707,990 S *	7/2014	Bezborodko et al.	D6/663
D712,686 S *	9/2014	Day et al.	D6/663
2007/0175772 A1 *	8/2007	Cunningham	206/6.1

* cited by examiner

Primary Examiner — Thomas Johannes

Assistant Examiner — Catherine Posthauer

(74) *Attorney, Agent, or Firm* — Scott L. Harper; Griffith Bates Champion & Harper LLP

(57) **CLAIM**

The ornamental design for jewelry display case, as shown and described.

DESCRIPTION

FIG. 1 is a perspective view of the jewelry display case of the present invention;

FIG. 2 is a front view of the jewelry display case of the present invention;

FIG. 3 is a rear view of the jewelry display case of the present invention;

FIG. 4 is a right side view of the jewelry display case of the present invention;

FIG. 5 is a left side view of the jewelry display case of the present invention;

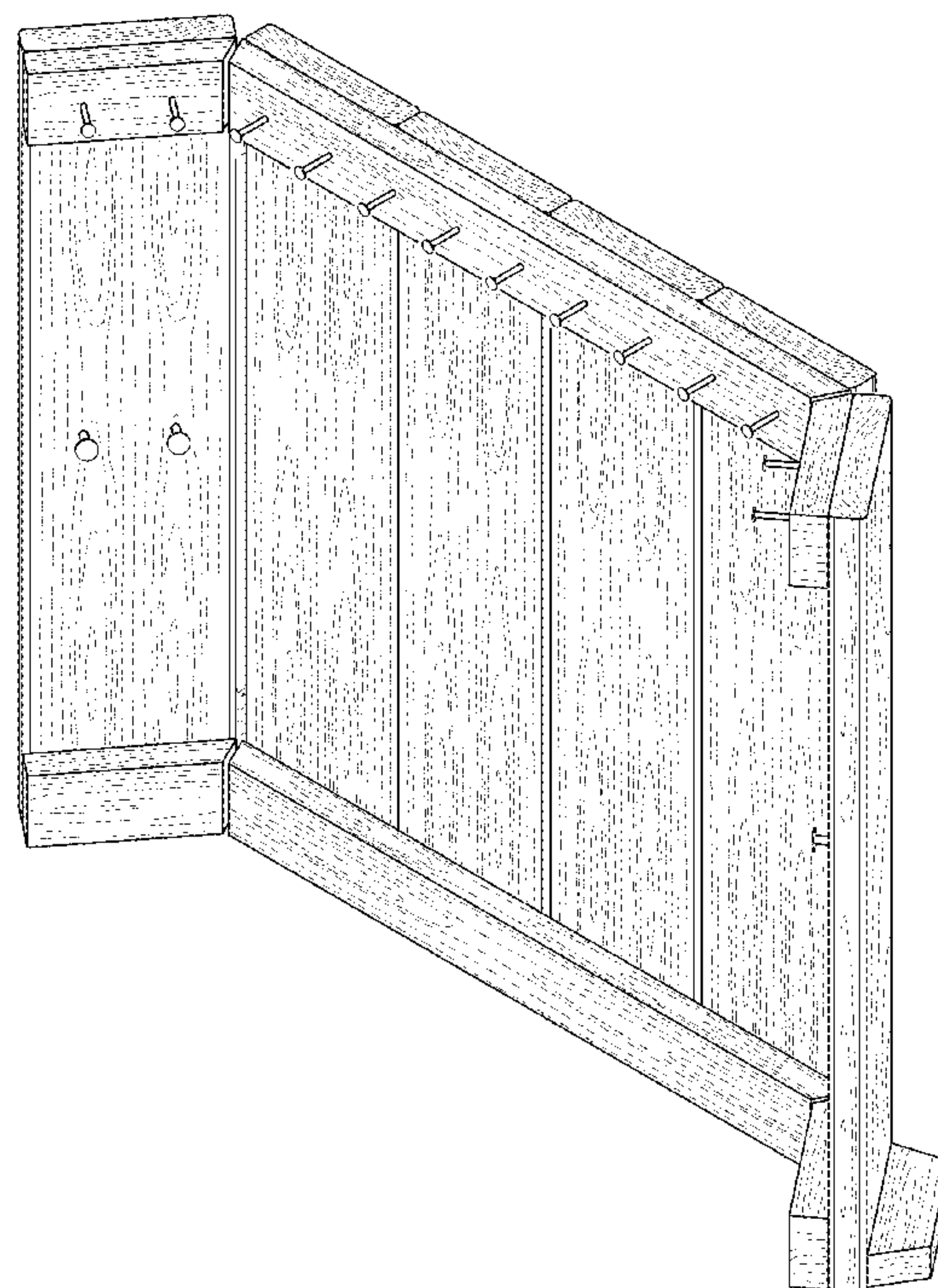
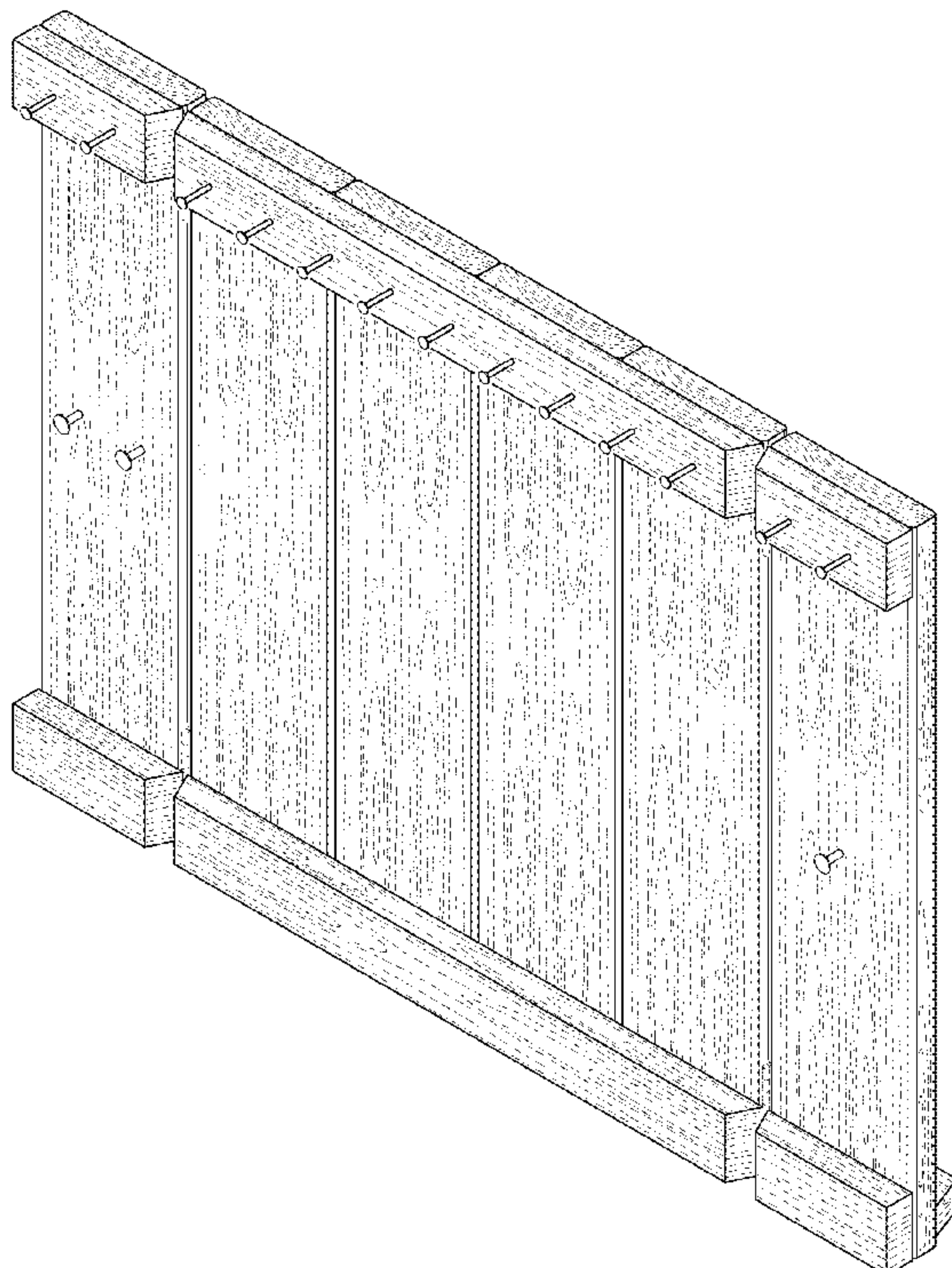
FIG. 6 is a top view of the jewelry display case of the present invention;

FIG. 7 is a bottom view of the jewelry display case of the present invention; and,

FIG. 8 is a perspective view of the jewelry display case of the present invention with the side walls partially folded.

The broken lines are shown to indicate unclaimed portions of the jewelry display case and form no part of the claimed design.

1 Claim, 6 Drawing Sheets



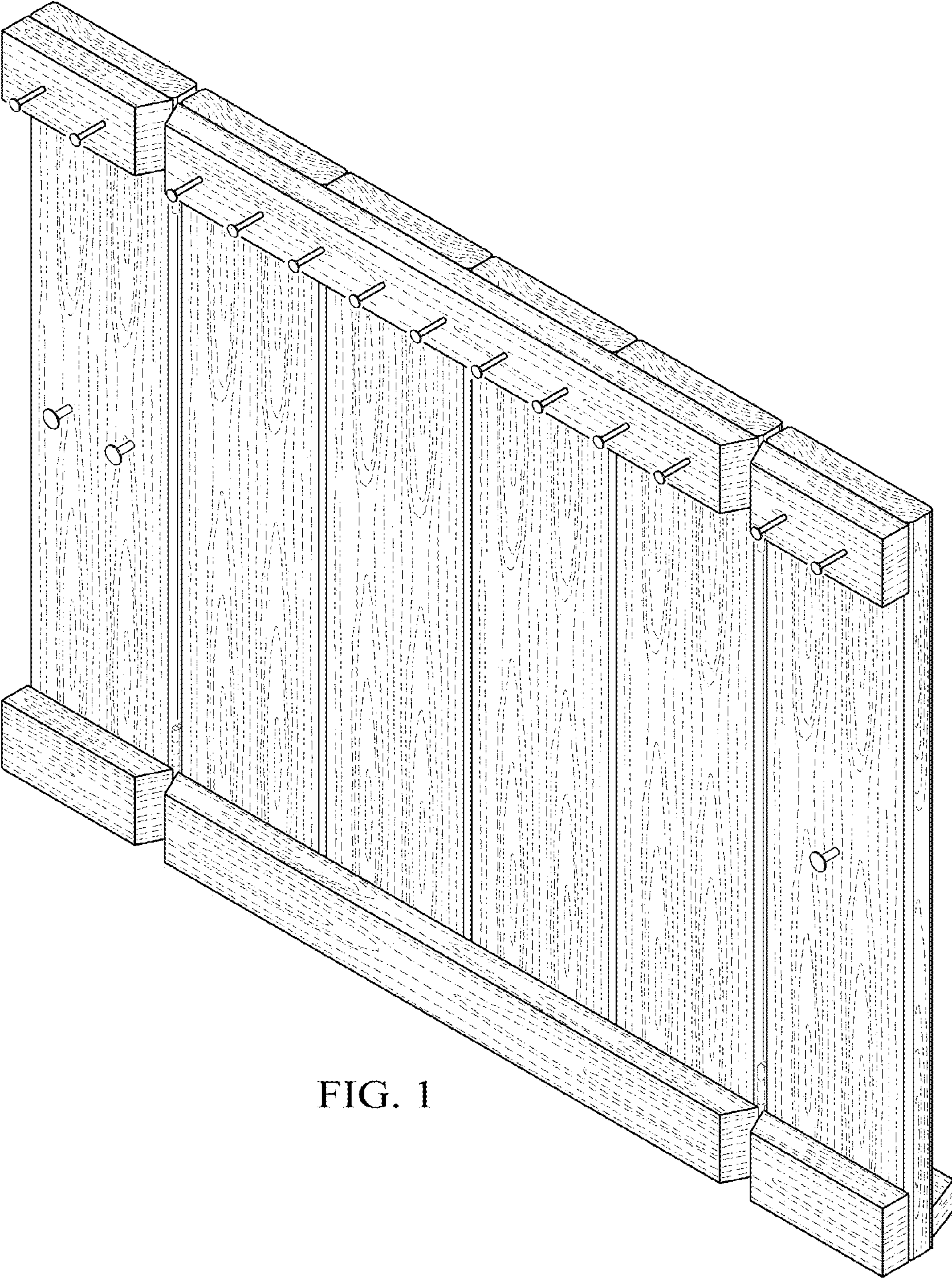


FIG. 1

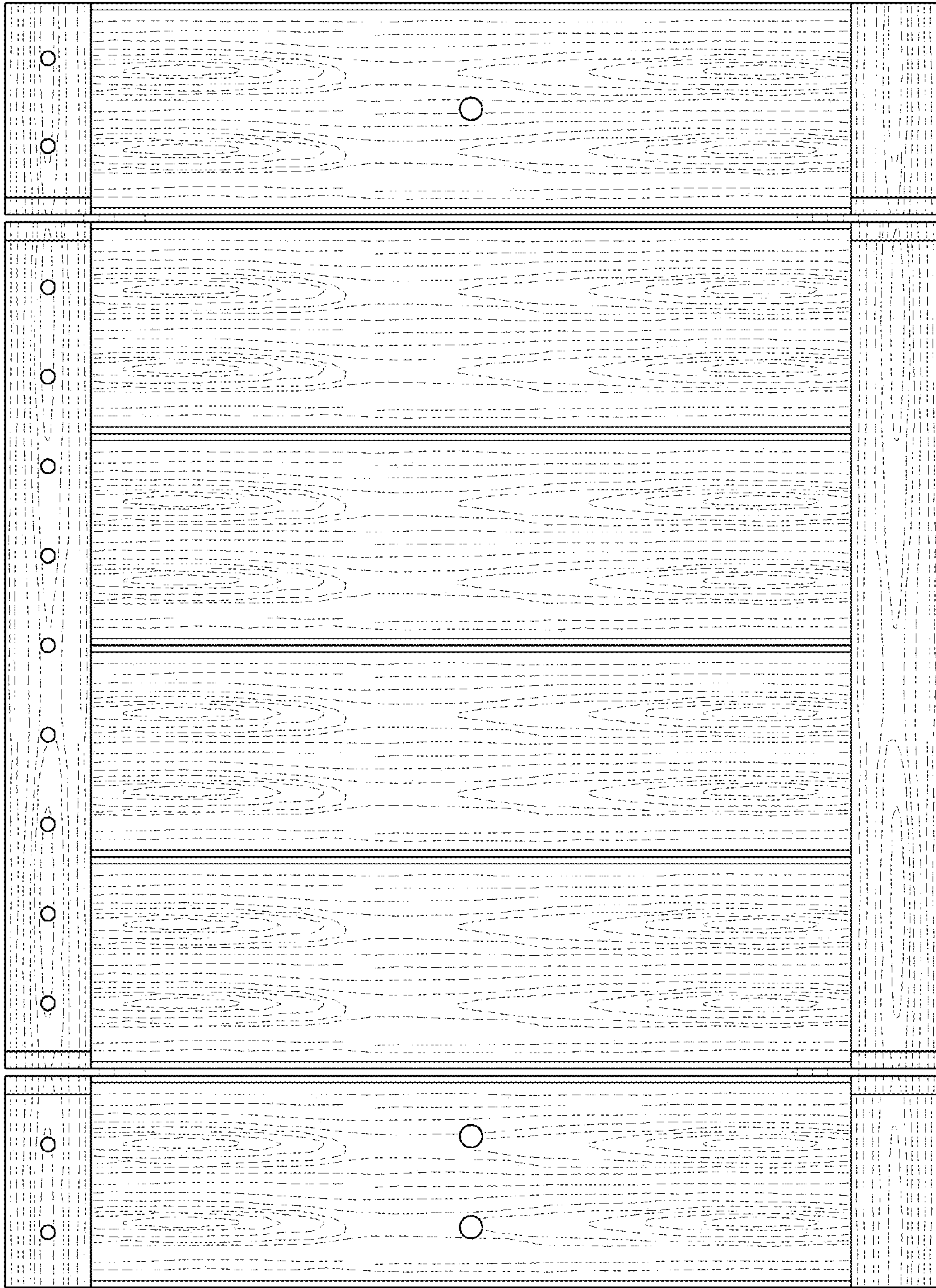


FIG. 2



FIG. 3

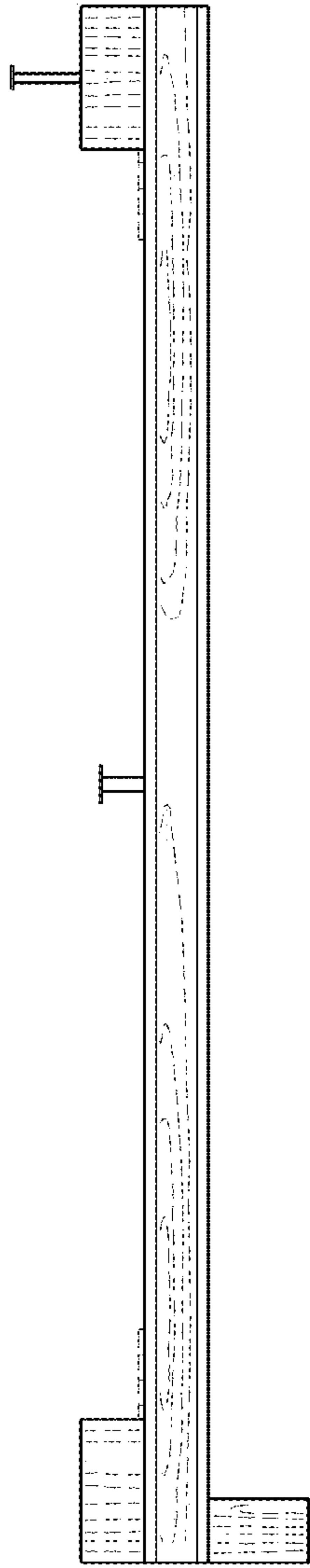


FIG. 4

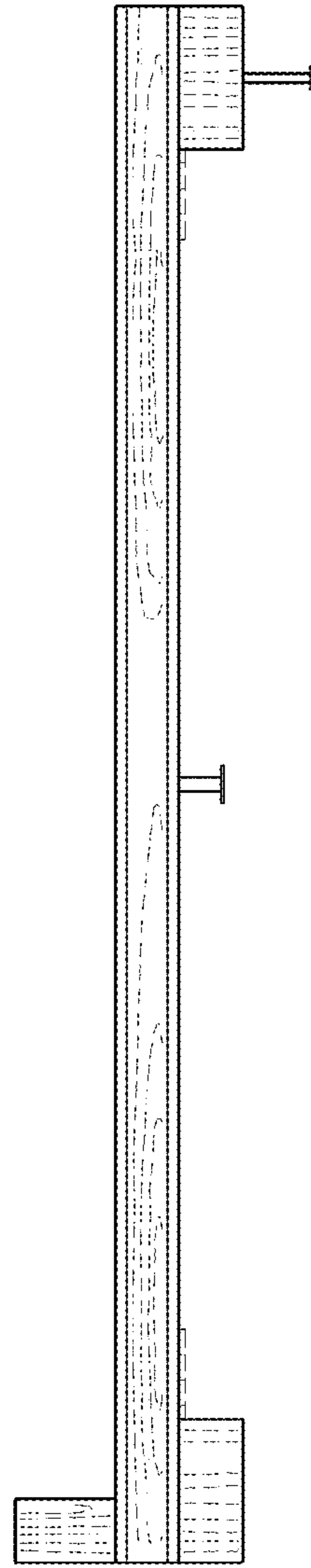


FIG. 5

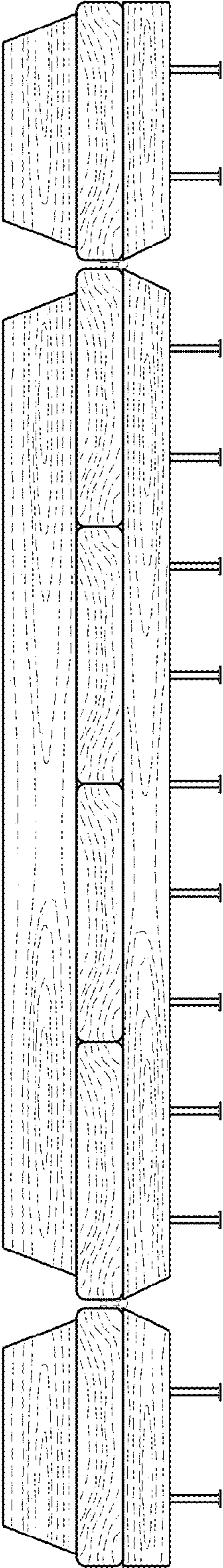


FIG. 6

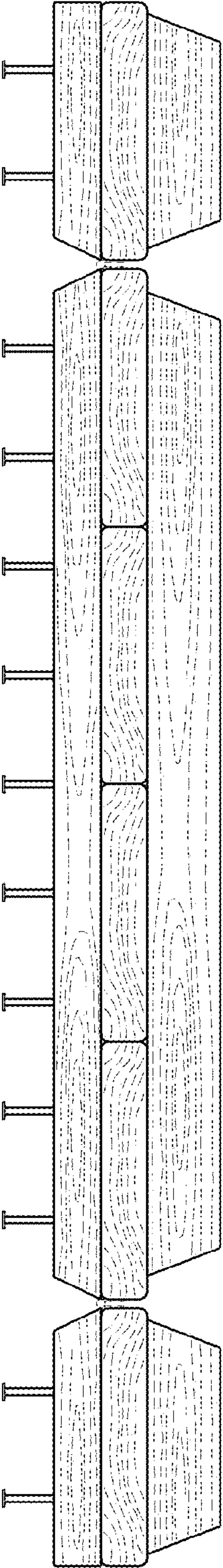


FIG. 7

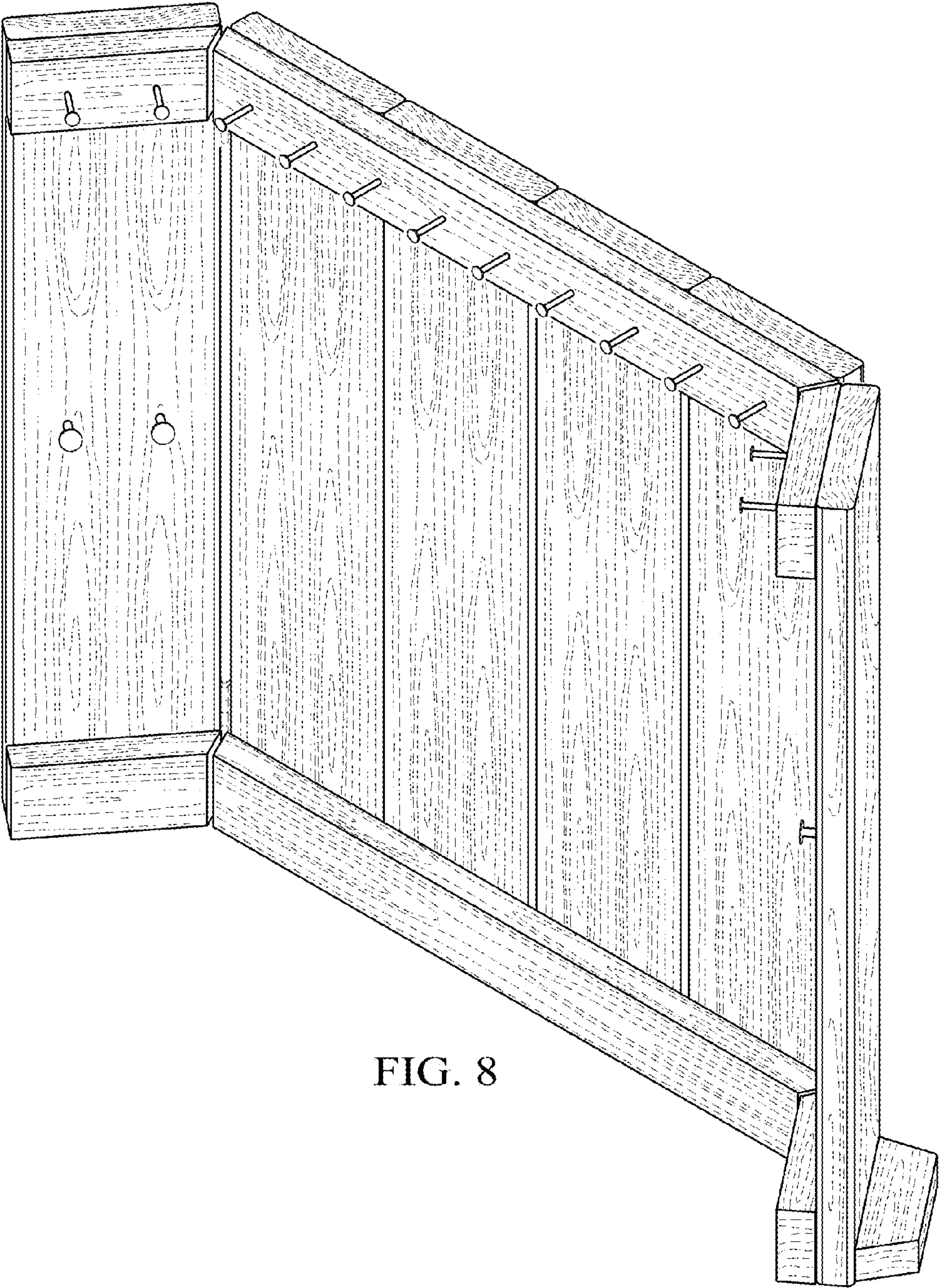


FIG. 8