

US00D739159S

(12) **United States Design Patent**
Lin

(10) **Patent No.:** **US D739,159 S**

(45) **Date of Patent:** **** Sep. 22, 2015**

(54) **PLEATED SHADE HAVING SPACER CORDS**

2012/0160426 A1* 6/2012 Lin 160/84.04
2012/0168094 A1* 7/2012 Lin 160/84.04

(71) Applicant: **Tzu-Yen Lin**, Taipei (TW)

* cited by examiner

(72) Inventor: **Tzu-Yen Lin**, Taipei (TW)

Primary Examiner — Karen S Acker

(73) Assignee: **Whole Space Industries Ltd.**, Taipei (TW)

Assistant Examiner — Wendy Arminio

(74) *Attorney, Agent, or Firm* — Buchanan Ingersoll & Rooney PC

(**) Term: **14 Years**

(57) **CLAIM**

(21) Appl. No.: **29/444,641**

The ornamental design for a pleated shade having spacer cords, as shown and described.

(22) Filed: **Feb. 1, 2013**

DESCRIPTION

(51) **LOC (10) Cl.** **06-10**

(52) **U.S. Cl.**

USPC **D6/577**

(58) **Field of Classification Search**

USPC D6/575, 576, 577, 578, 579, 580, 581;
160/84.01, 84.02, 84.03, 84.04, 84.05,
160/84.06, 84.07, 84.08, 107, 108, 111,
160/113, 130, 133

CPC E06B 3/30; E06B 9/00; E06B 9/02;
E06B 9/24; E06B 9/262; A47H 1/00; A47H
21/00; A47H 23/00; A47H 23/02; A47H
23/04; A47H 2023/025

See application file for complete search history.

FIG. 1 is a front view of the pleated shade having spacer cords;

FIG. 2 is a top view thereof;

FIG. 3 is a bottom view thereof;

FIG. 4 is a rear perspective view of a first embodiment of the pleated shade having spacer cords;

FIG. 5 is an enlarged detail view of area 5 circumscribed within FIG. 4;

FIG. 6 is a rear perspective view of a second embodiment of the pleated shade having spacer cords;

FIG. 7 is an enlarged detail view of area 7 circumscribed within FIG. 6;

FIG. 8 is a rear perspective view of a third embodiment of the pleated shade having spacer cords;

FIG. 9 is an enlarged detail view of area 9 circumscribed within FIG. 8;

FIG. 10 is a rear perspective view of a fourth embodiment of the pleated shade having spacer cords; and,

FIG. 11 is an enlarged detail view of area 11 circumscribed within FIG. 10.

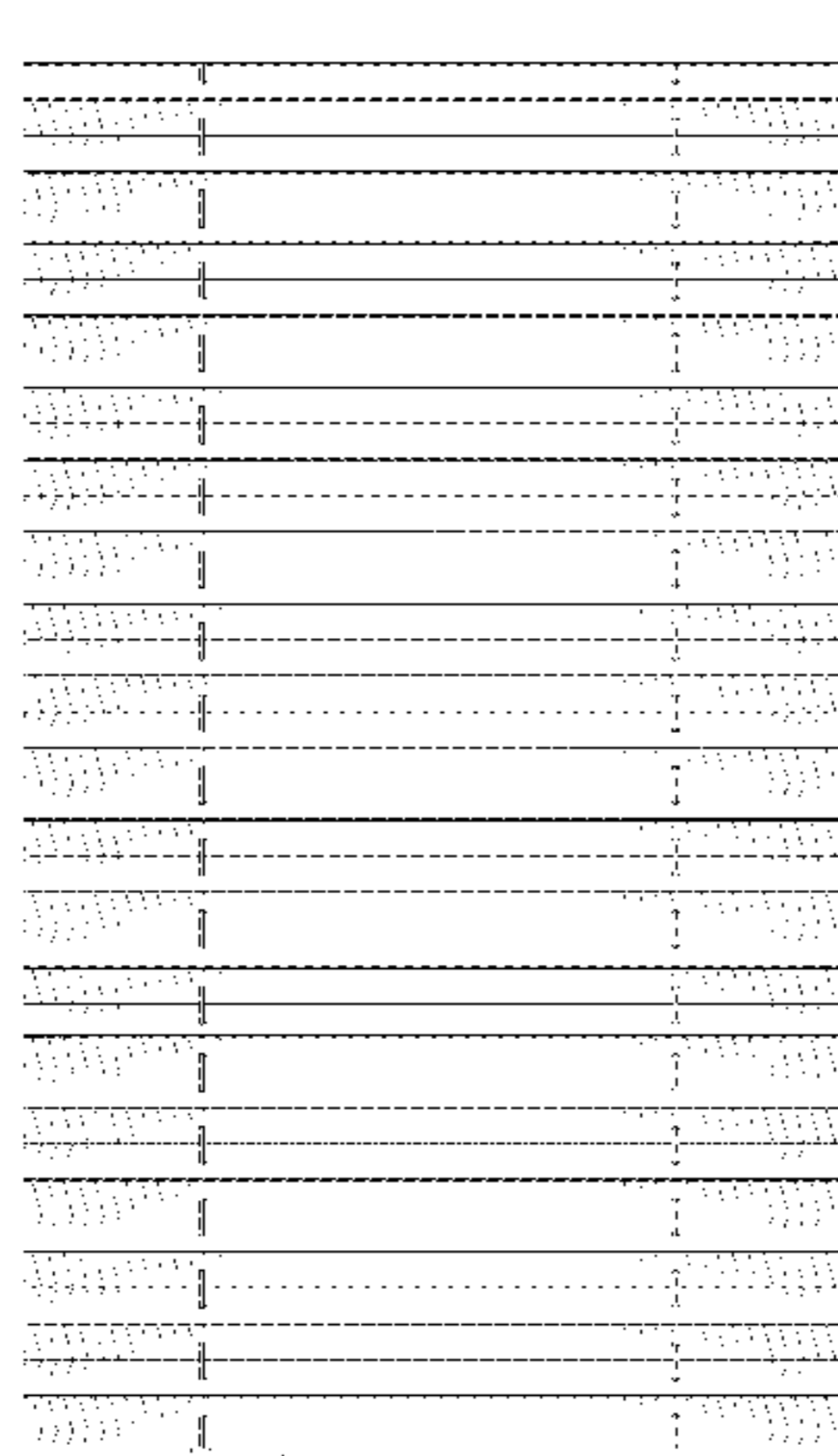
The broken lines in the drawings showing the headrail, spring motor, pulleys and lift cord path depict portions of the pleated shade having spacer cords that form no part of the claimed design. The broken lines in FIGS. 4-11 surrounding the detail areas and views form no part of the claimed design. It should be understood that the top, bottom, and front views of the pleated shade having spacer cords shown in FIGS. 1, 2, and 3 are the same for all embodiments.

(56) **References Cited**

U.S. PATENT DOCUMENTS

852,187	A *	4/1907	Luft	160/388
1,789,724	A *	1/1931	Carver	160/84.01
D256,536	S *	8/1980	Atkins	D6/580
4,753,281	A *	6/1988	Wagner	160/84.06
4,880,044	A	11/1989	Judkins	
6,401,789	B1	6/2002	Allsopp	
6,832,642	B2 *	12/2004	Titus et al.	160/330
D530,965	S *	10/2006	Roberts	D6/575
7,243,698	B2	7/2007	Siegel	
D666,043	S *	8/2012	Lin	D6/575
2004/0089428	A1 *	5/2004	Judkins	160/178.1 R
2004/0154754	A1 *	8/2004	Judkins	160/84.01
2011/0186242	A1 *	8/2011	Foley et al.	160/193
2011/0203079	A1 *	8/2011	Anthony et al.	24/115 F

1 Claim, 10 Drawing Sheets



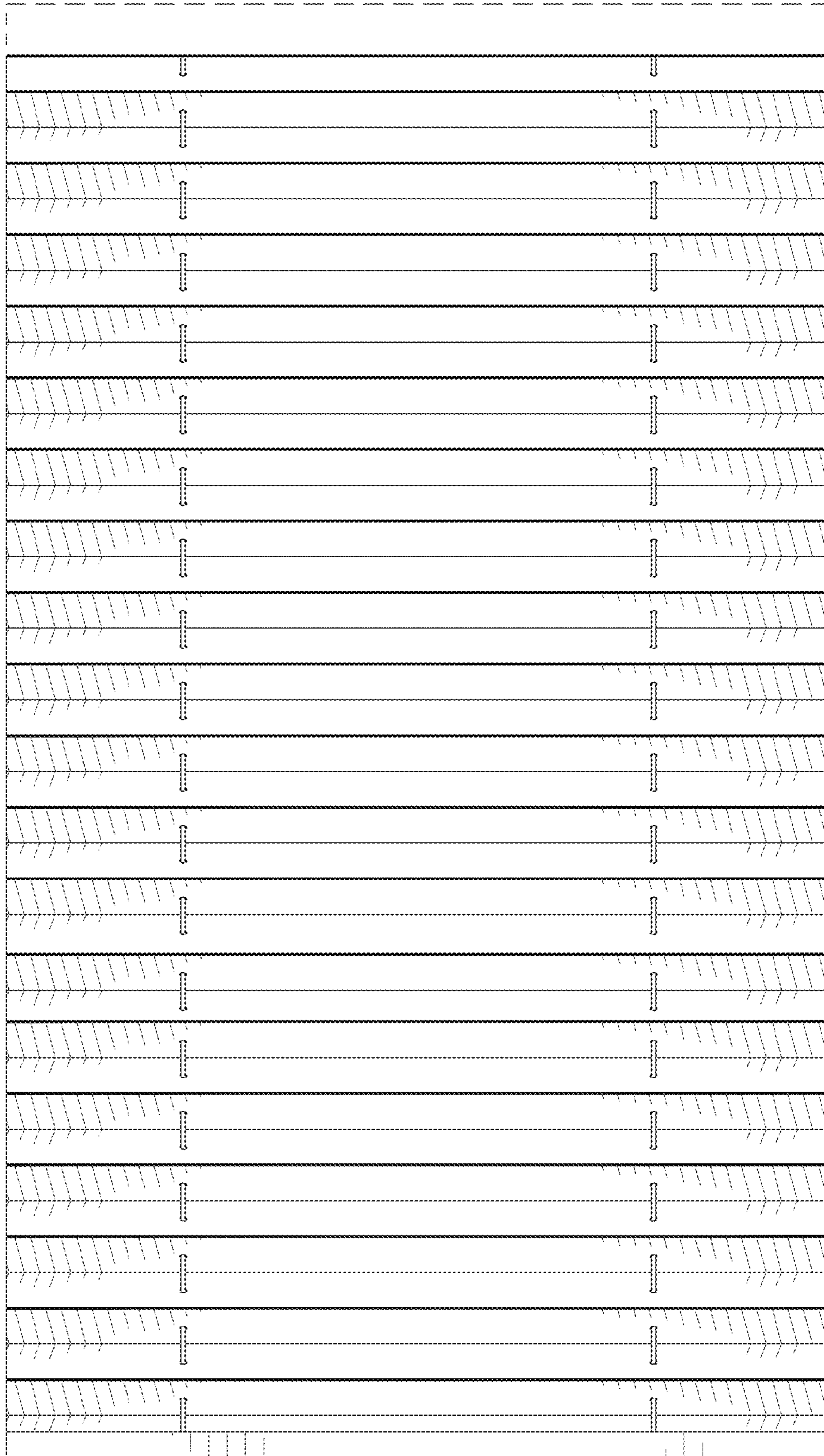


FIG. 1

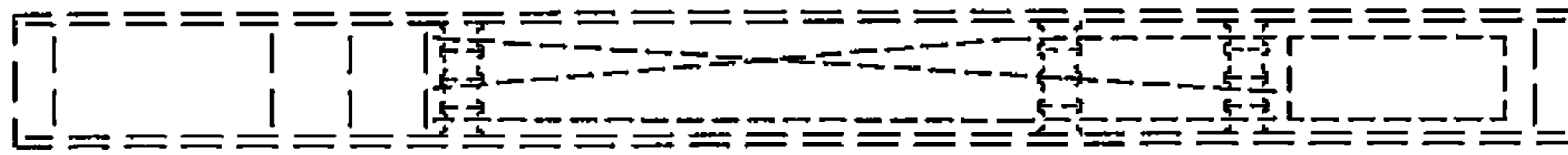


FIG. 2



FIG. 3

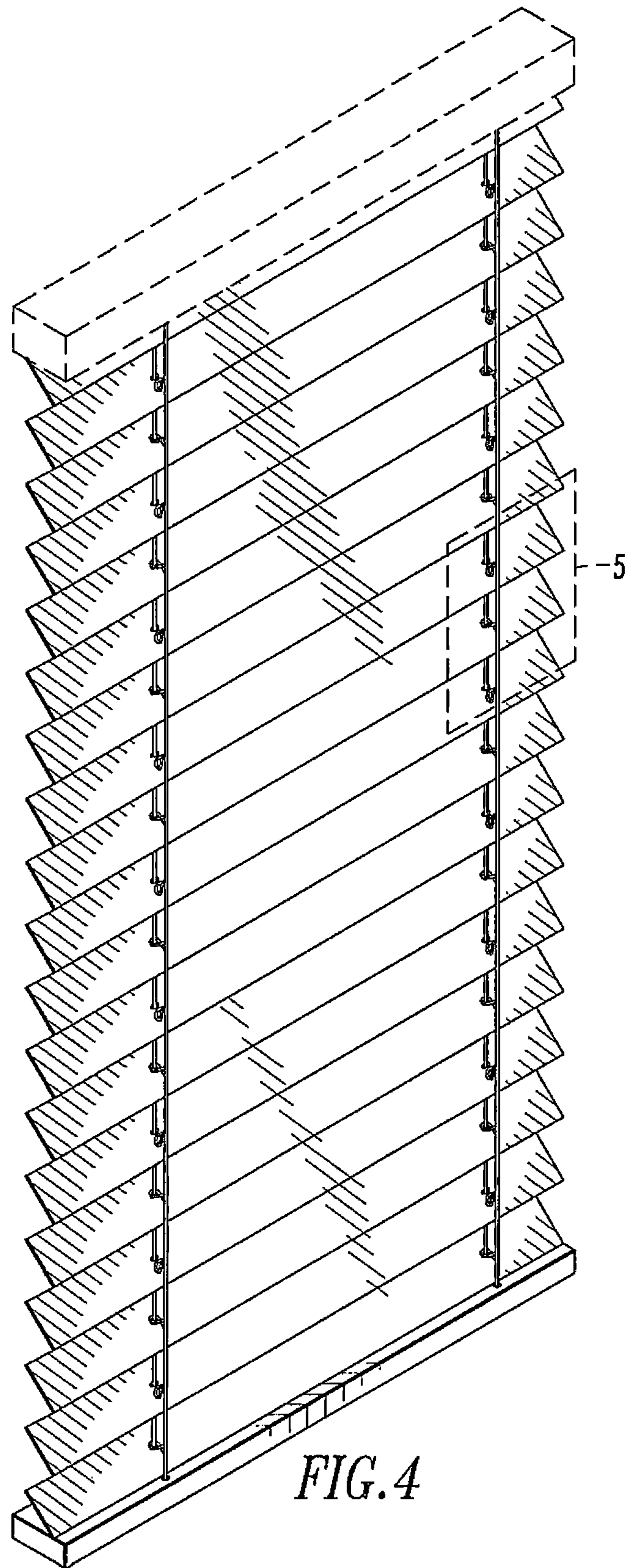


FIG. 4

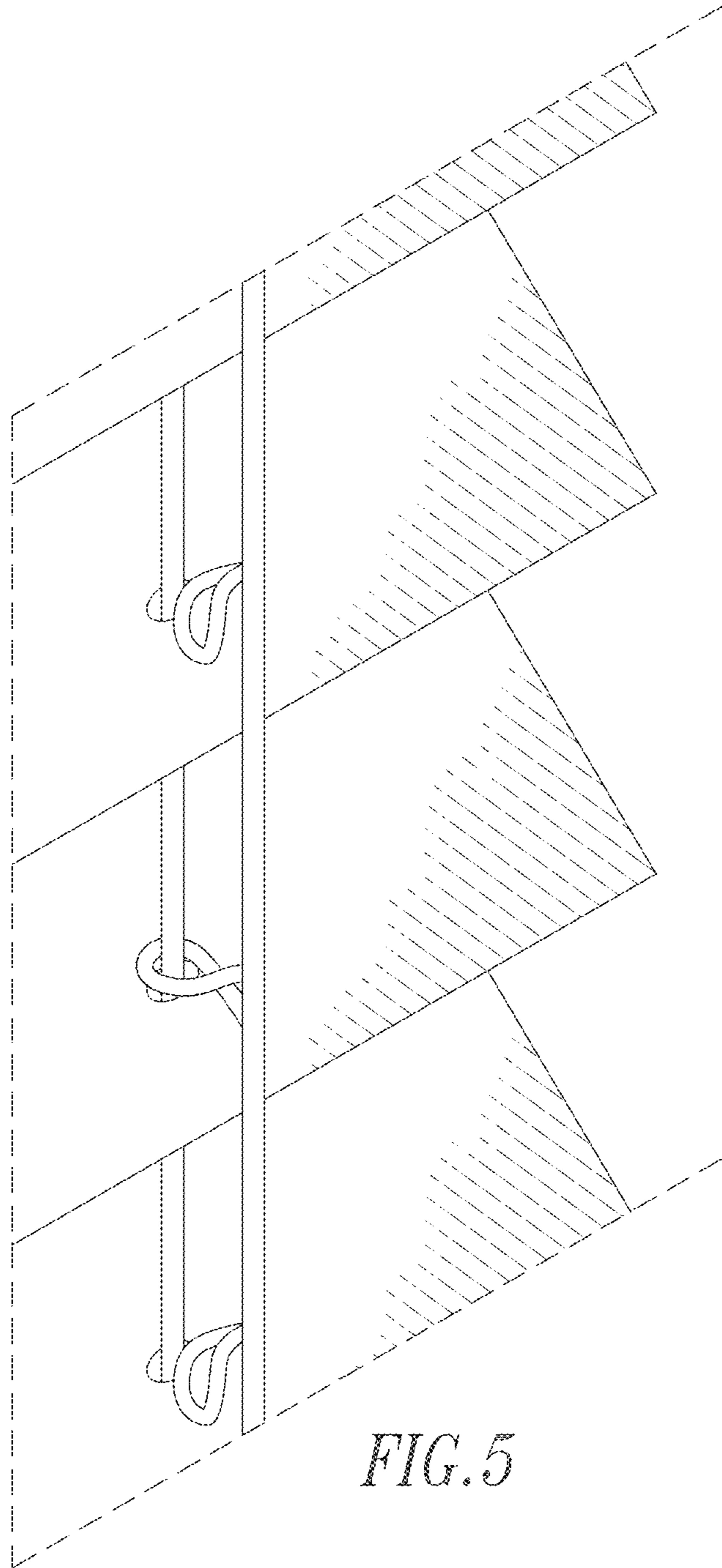


FIG. 5

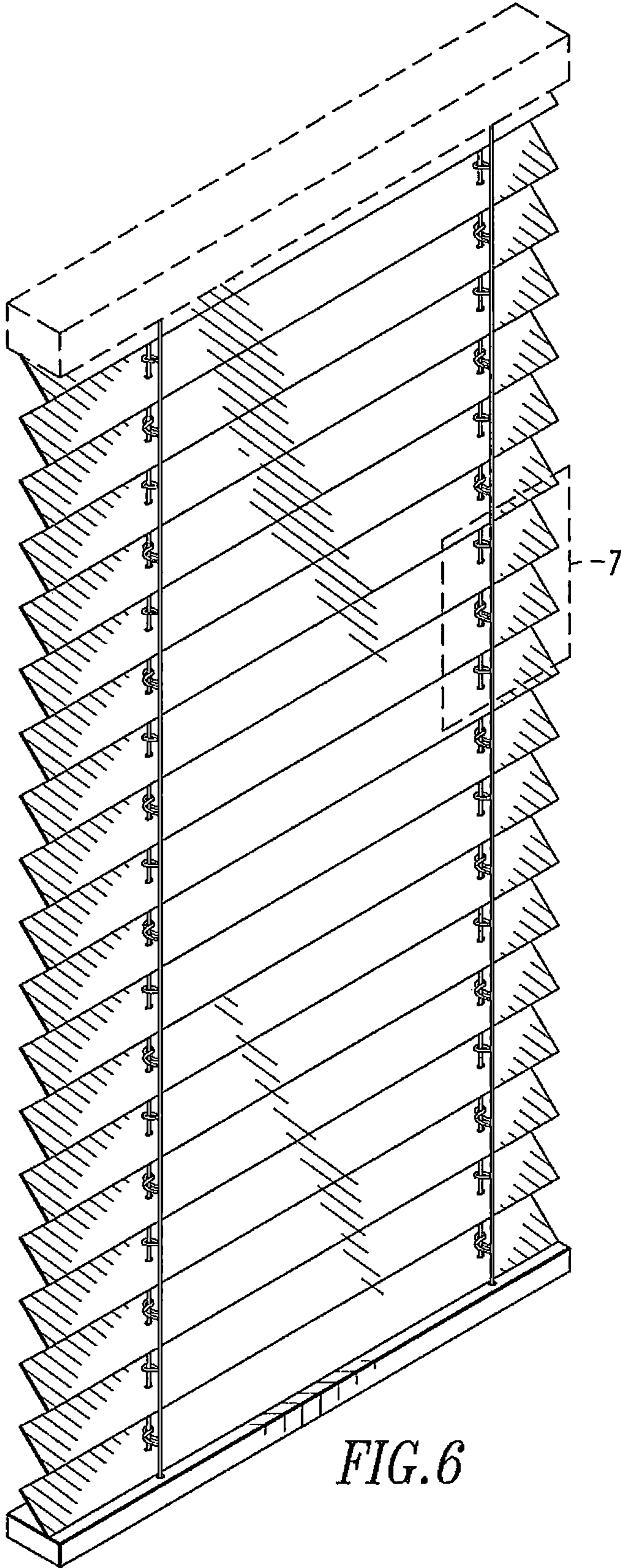


FIG. 6

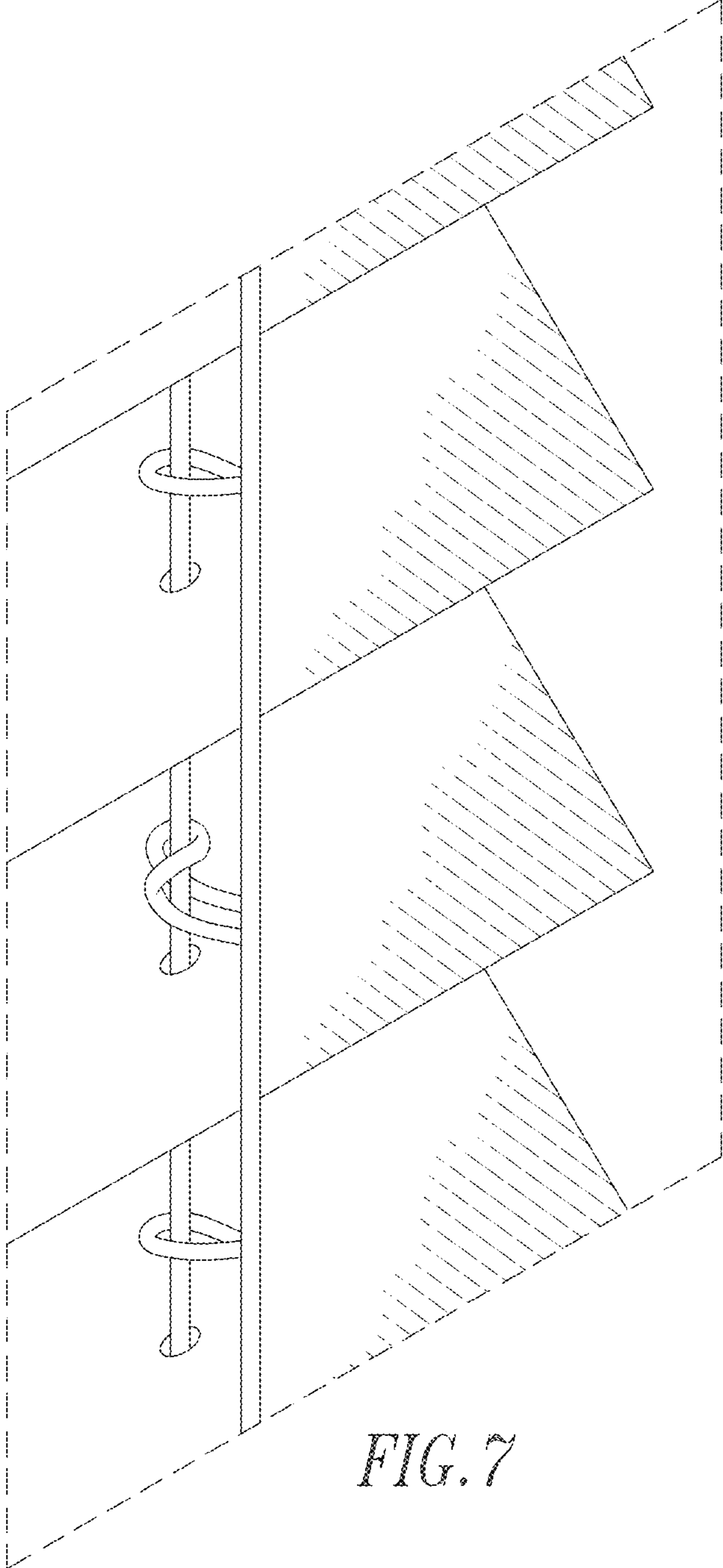


FIG. 7

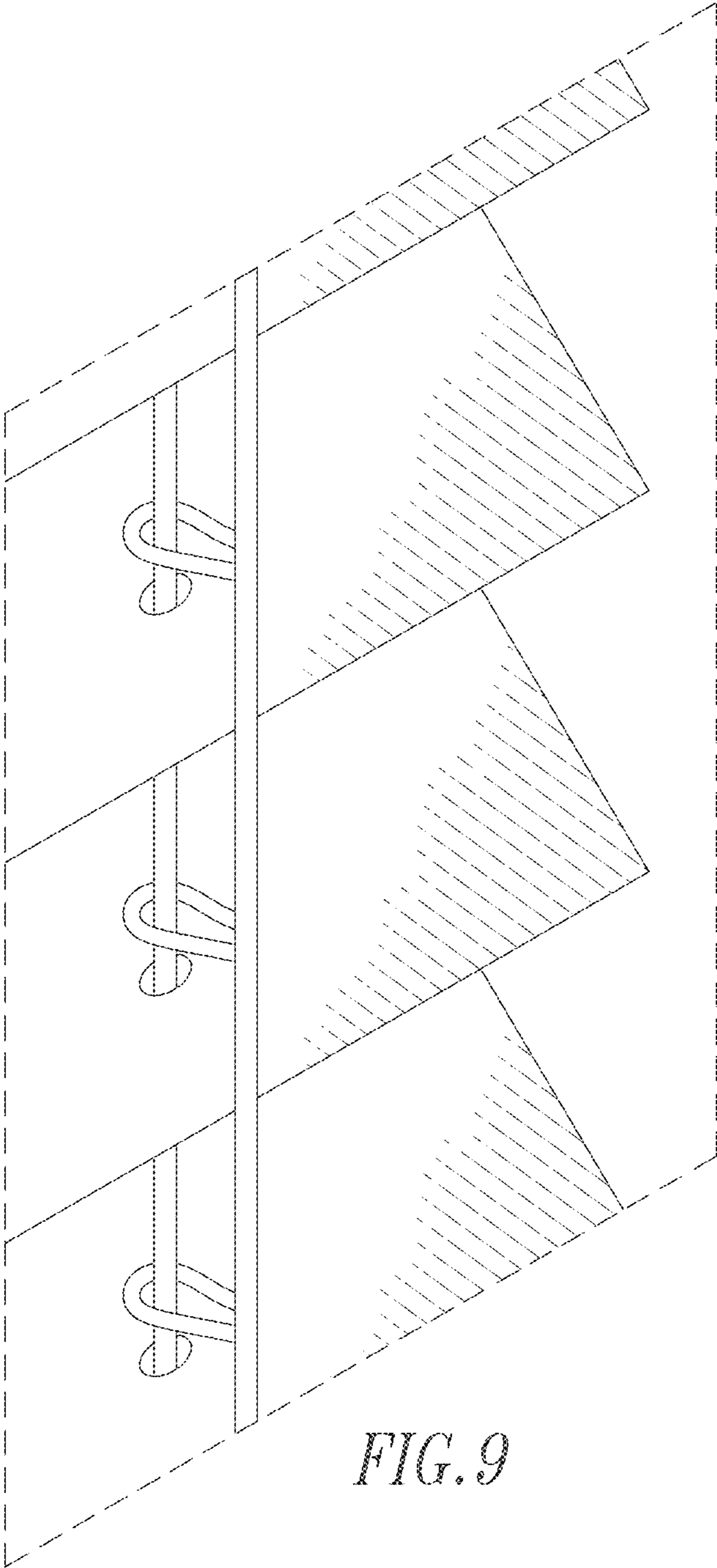


FIG. 9

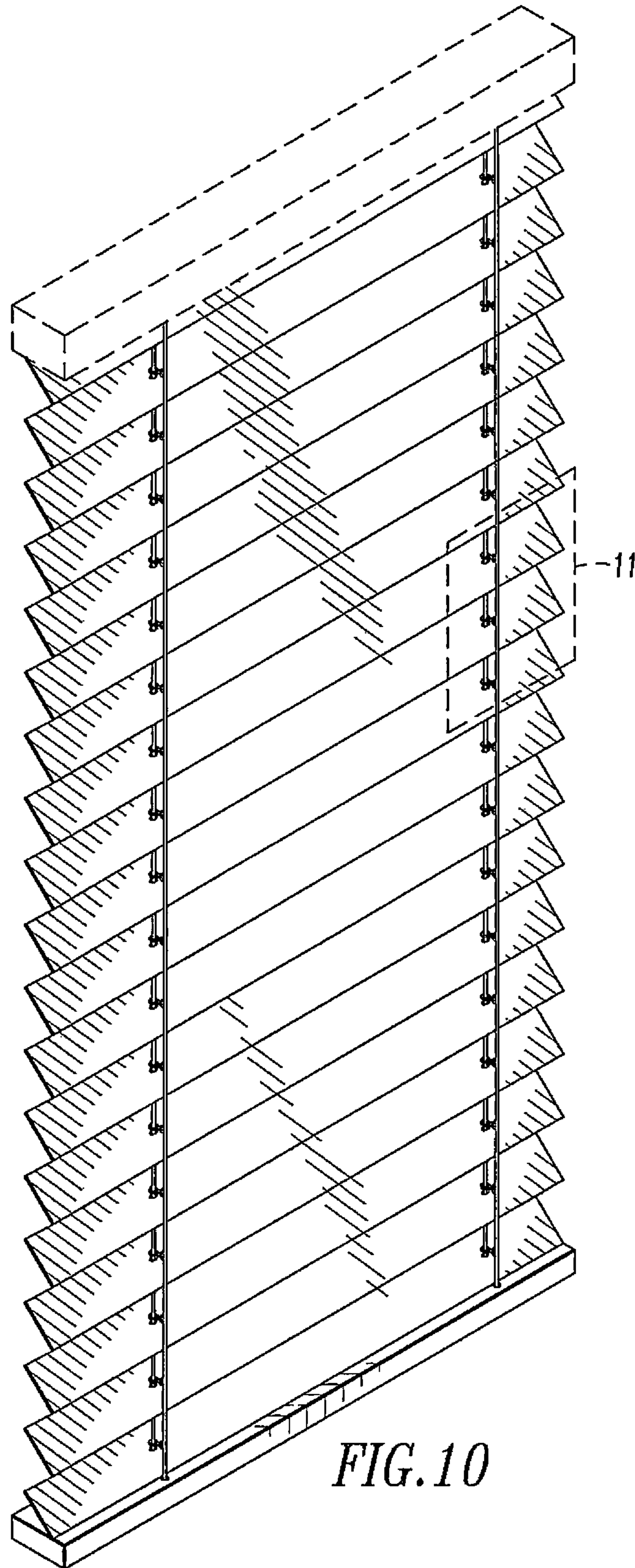


FIG. 10

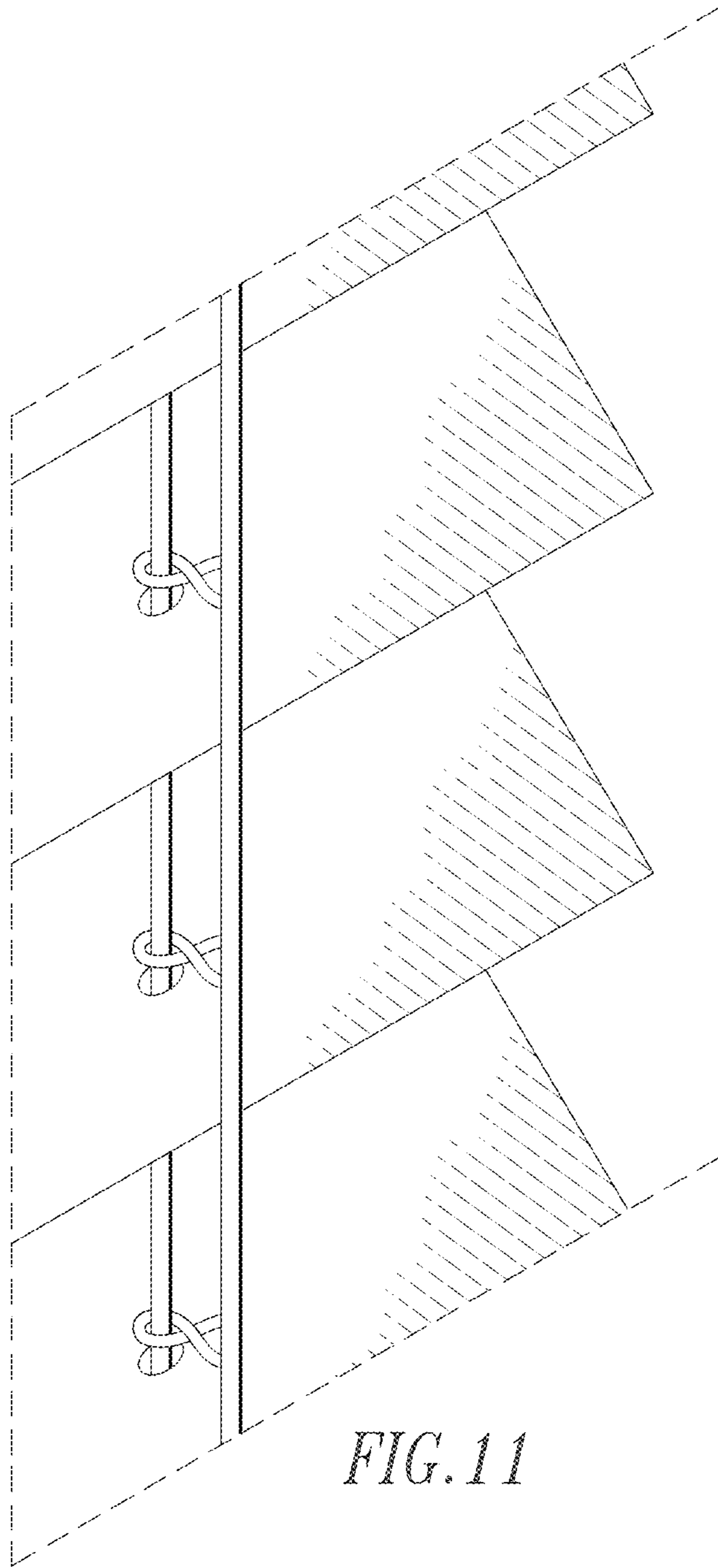


FIG. 11