



US00D739158S

(12) **United States Design Patent**
Pan et al.

(10) **Patent No.:** **US D739,158 S**

(45) **Date of Patent:** **** Sep. 22, 2015**

(54) **PAPER TOWEL HOLDER**

D649,818 S 12/2011 Dye
D686,021 S 7/2013 Gilboe
D697,334 S 1/2014 Starck
D699,967 S 2/2014 Goodman

(71) Applicant: **3M INNOVATIVE PROPERTIES COMPANY**, St. Paul, MN (US)

FOREIGN PATENT DOCUMENTS

(72) Inventors: **Angela L. Pan**, Woodbury, MN (US);
Giuseppe De Bellis, San Donato Milanese (IT); **Craig D. Thompson**, Inver Grove Heights, MN (US); **Jacob P. Vanderheyden**, St. Paul, MN (US)

AU 307893 7/2006
AU 347417 3/2013
CA 112390 1/2007
CA 118890 4/2008
CA 075690 2/2011
CA 144738 9/2012
CA 147528 2/2014
JP D1411711 4/2011

(73) Assignee: **3M INNOVATIVE PROPERTIES COMPANY**, St. Paul, MN (US)

* cited by examiner

(**) Term: **14 Years**

Primary Examiner — Brian N Vinson

(21) Appl. No.: **29/460,850**

(74) *Attorney, Agent, or Firm* — Irina Haas

(22) Filed: **Jul. 16, 2013**

(51) **LOC (10) Cl.** **20-02**

(52) **U.S. Cl.**

USPC **D6/518**

(58) **Field of Classification Search**

USPC D6/515, 518-523; D3/201; 206/389, 206/391, 407, 409; 312/34.1, 34.8; 211/16, 211/85.5, 59.2; 221/92, 97, 185, 282, 284; 242/159, 160.2, 550, 560, 590, 595, 242/588, 598, 598.3, 598.6

See application file for complete search history.

(57) **CLAIM**

The ornamental design for a paper towel holder, as shown and described.

DESCRIPTION

FIG. 1 is a perspective view showing the new design for a paper towel holder;

FIG. 2 is a front view thereof, a rear view being a mirror image thereof;

FIG. 3 is a top view thereof;

FIG. 4 is a bottom view thereof;

FIG. 5 is a left side view thereof, a right side view being a mirror image thereof;

FIG. 6 is a perspective view illustrating an alternative embodiment;

FIG. 7 is a perspective view illustrating an alternative embodiment; and,

FIG. 8 is a perspective view thereof showing the paper towel holder with a roll of paper towel.

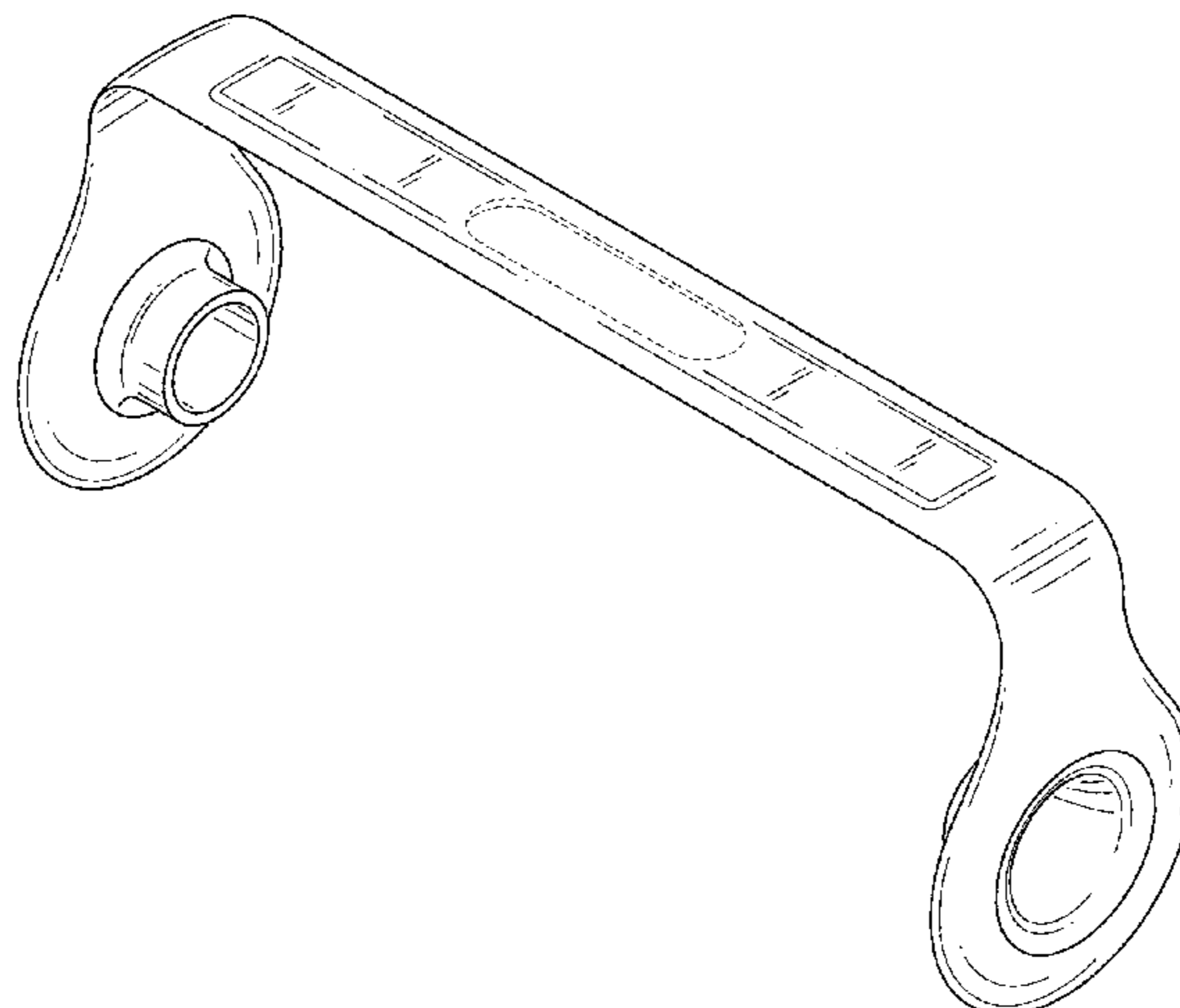
The portions in Figures shown in broken lines form no part of the claimed design. Oblique line shading in FIGS. 6 and 7 is used to show transparent or translucent materials.

1 Claim, 5 Drawing Sheets

(56) **References Cited**

U.S. PATENT DOCUMENTS

D326,580 S * 6/1992 Brazis D6/522
D426,992 S 6/2000 Walker
D551,478 S * 9/2007 Dretzka D6/522
D578,813 S * 10/2008 Goodman et al. D6/522
D599,590 S 9/2009 Hanes
D600,054 S 9/2009 Hanes
D600,055 S 9/2009 Hanes
D604,076 S 11/2009 Chen
D608,576 S 1/2010 Goodman
D609,948 S * 2/2010 Seehoff et al. D6/518
D633,317 S 3/2011 Walters



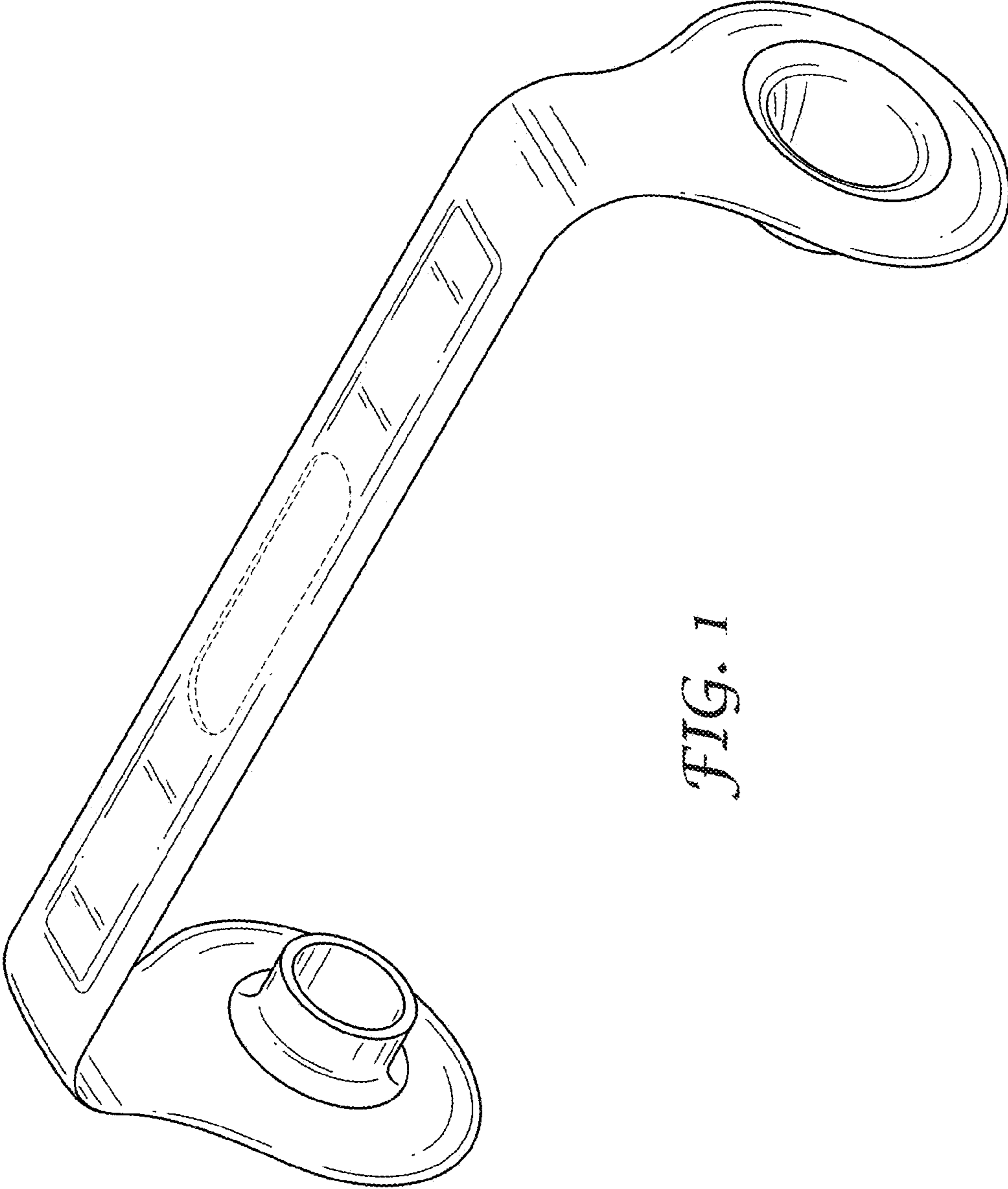


FIG. 1

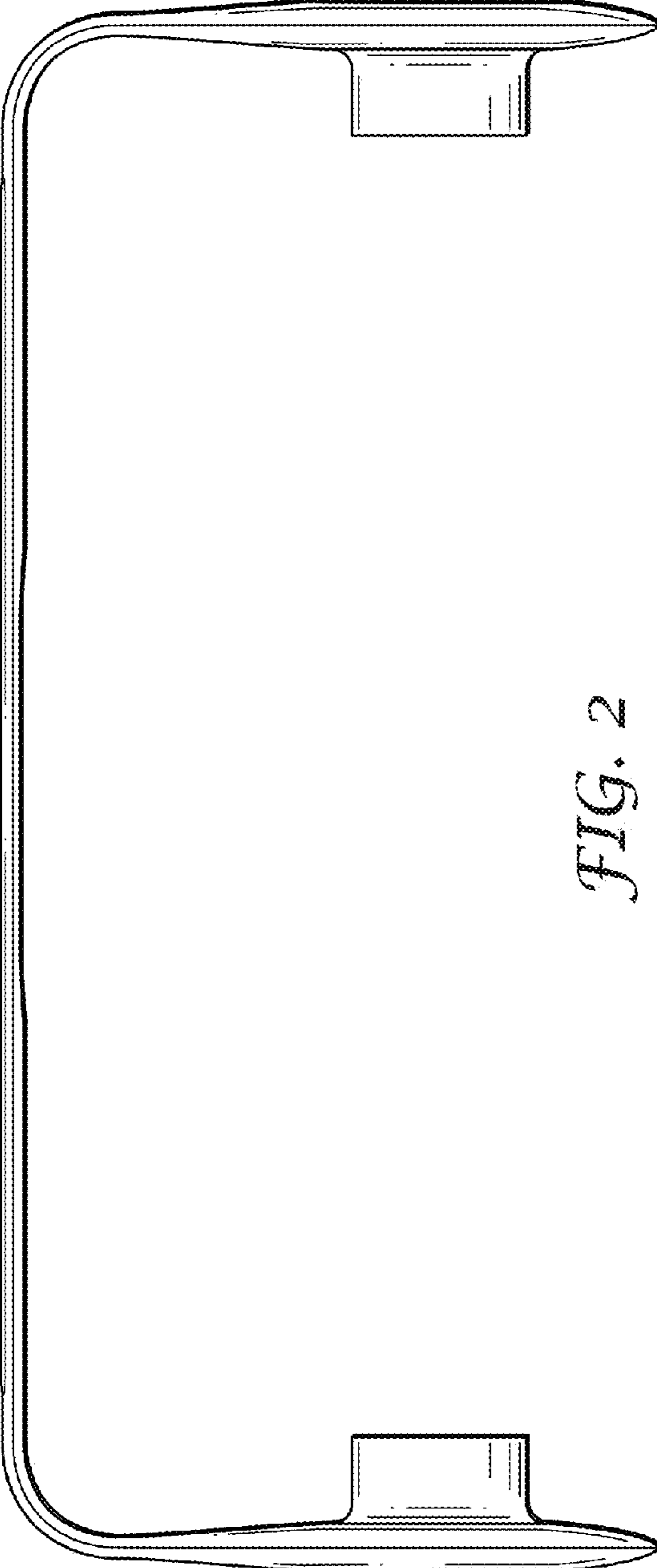


FIG. 2

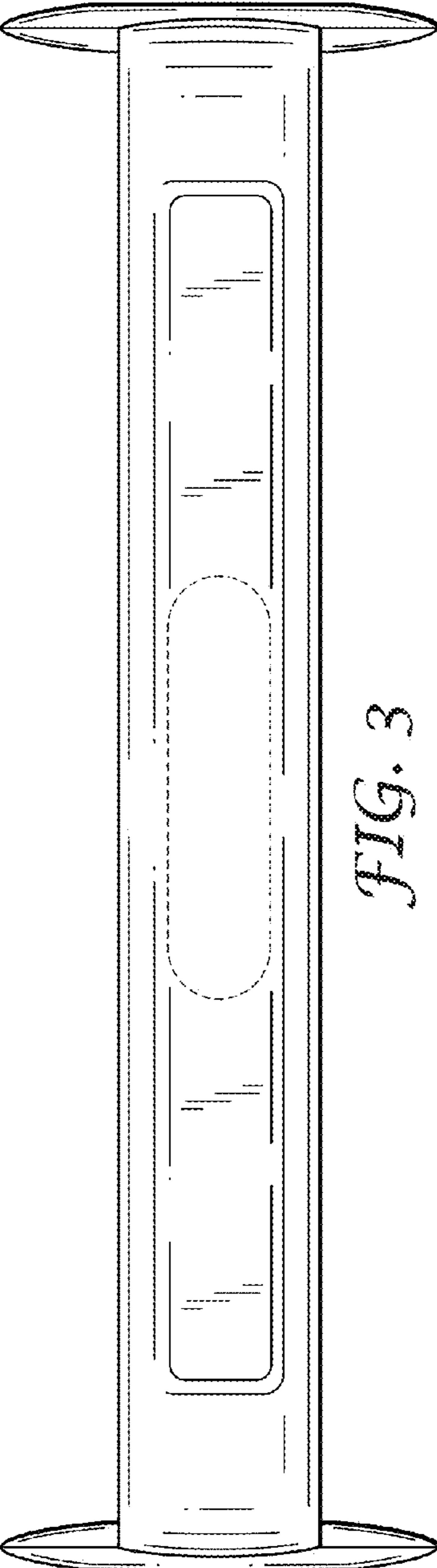


FIG. 3

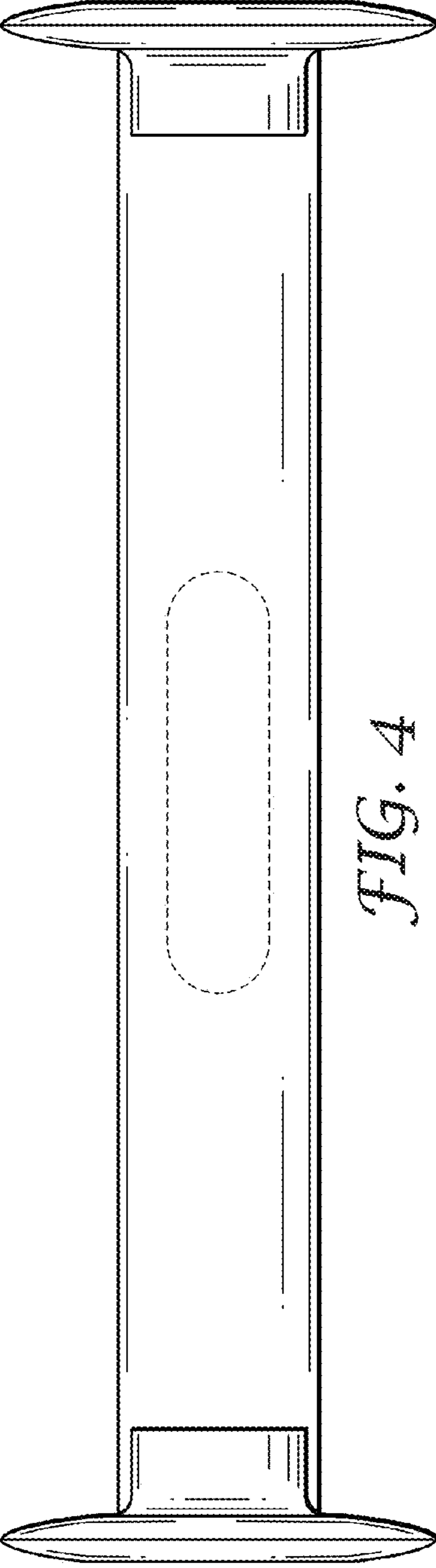


FIG. 4

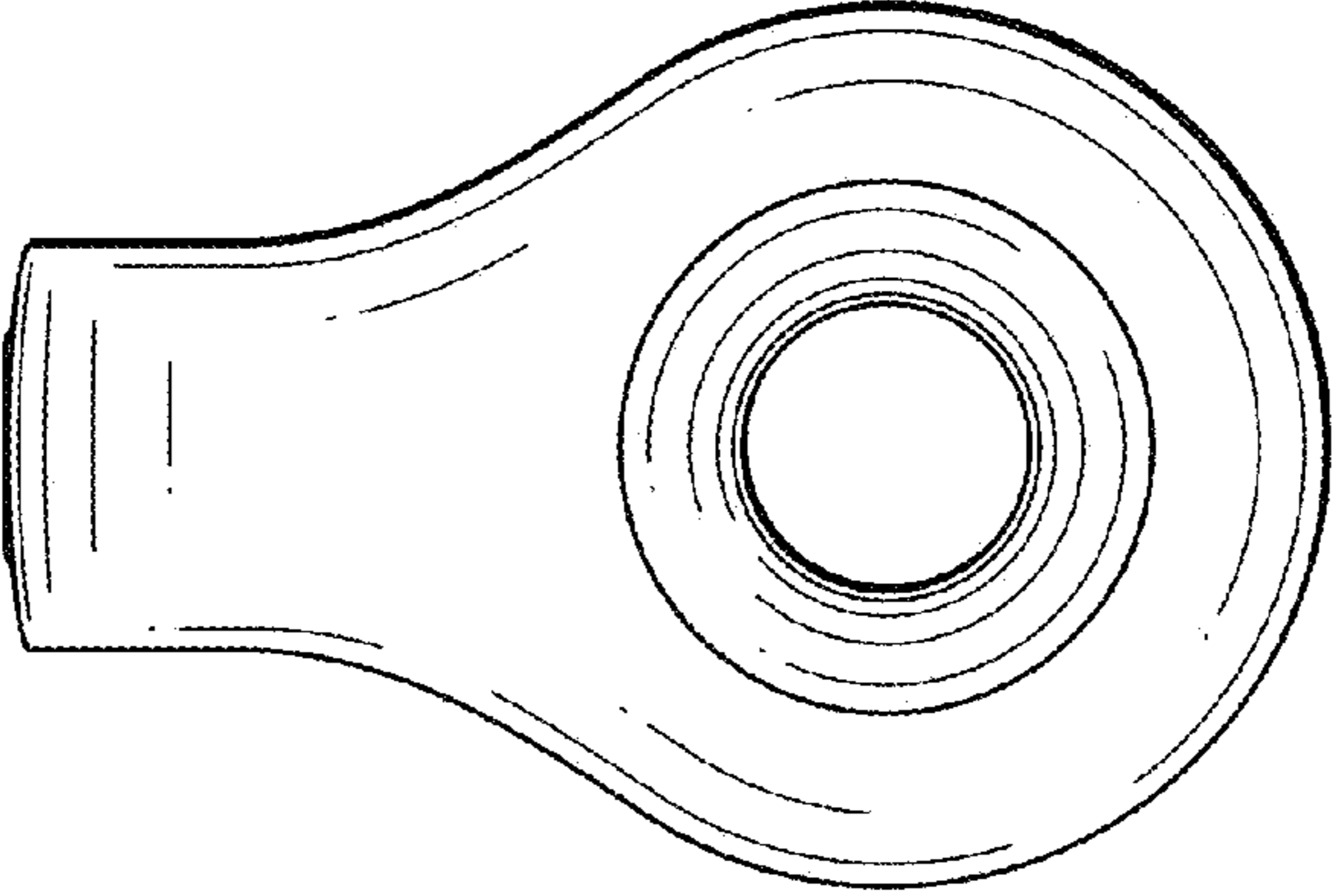


FIG. 5

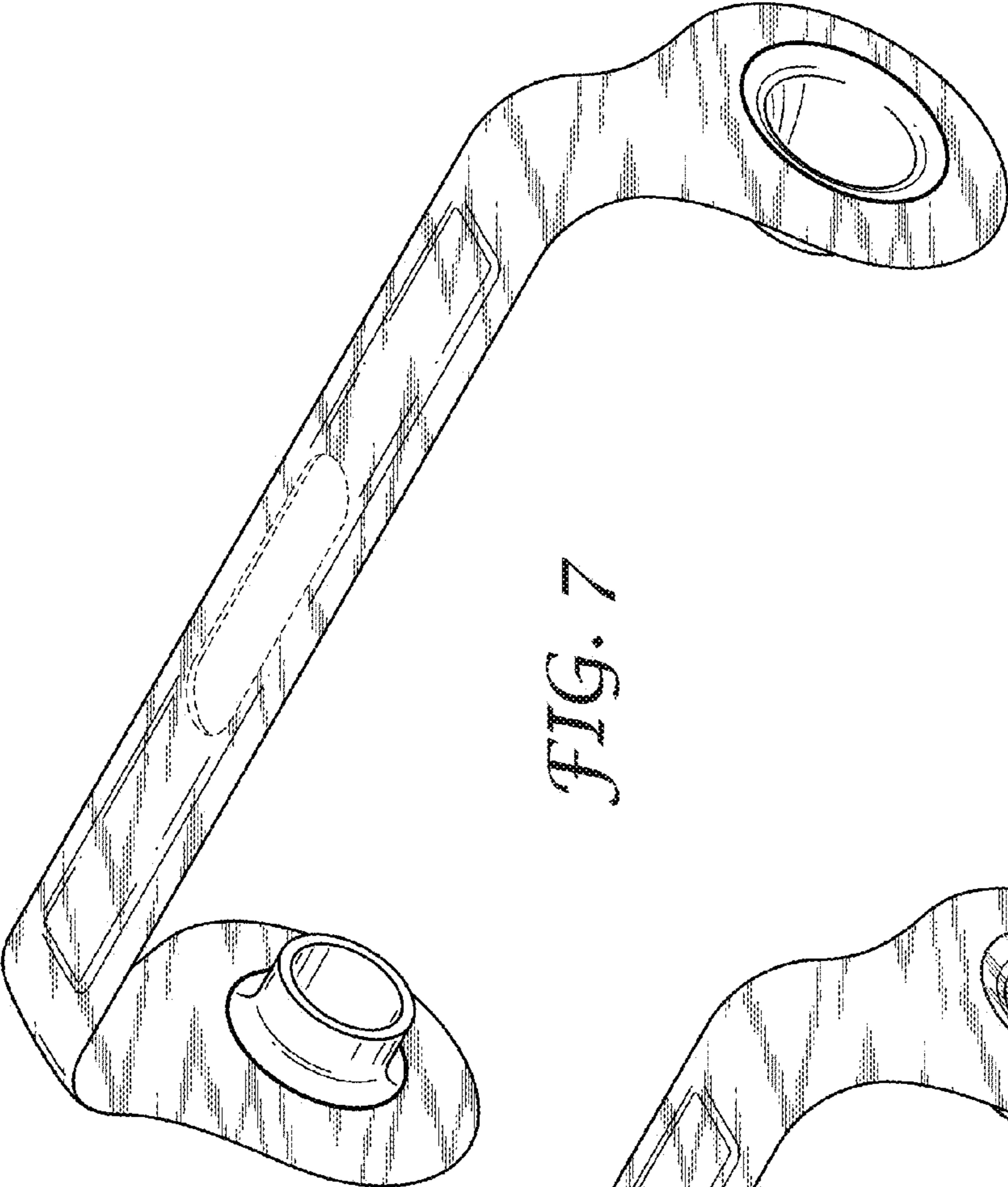


FIG. 7

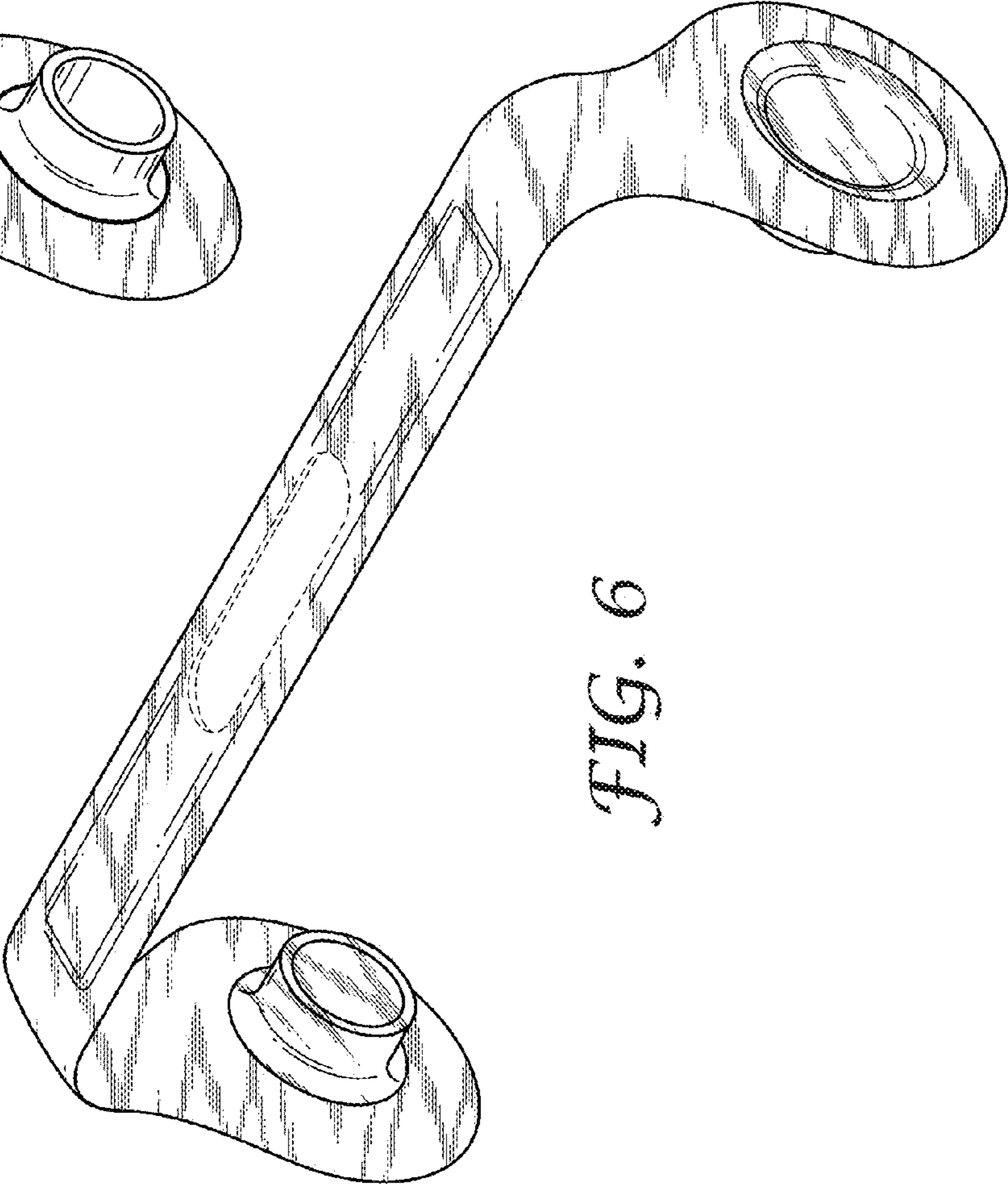


FIG. 6

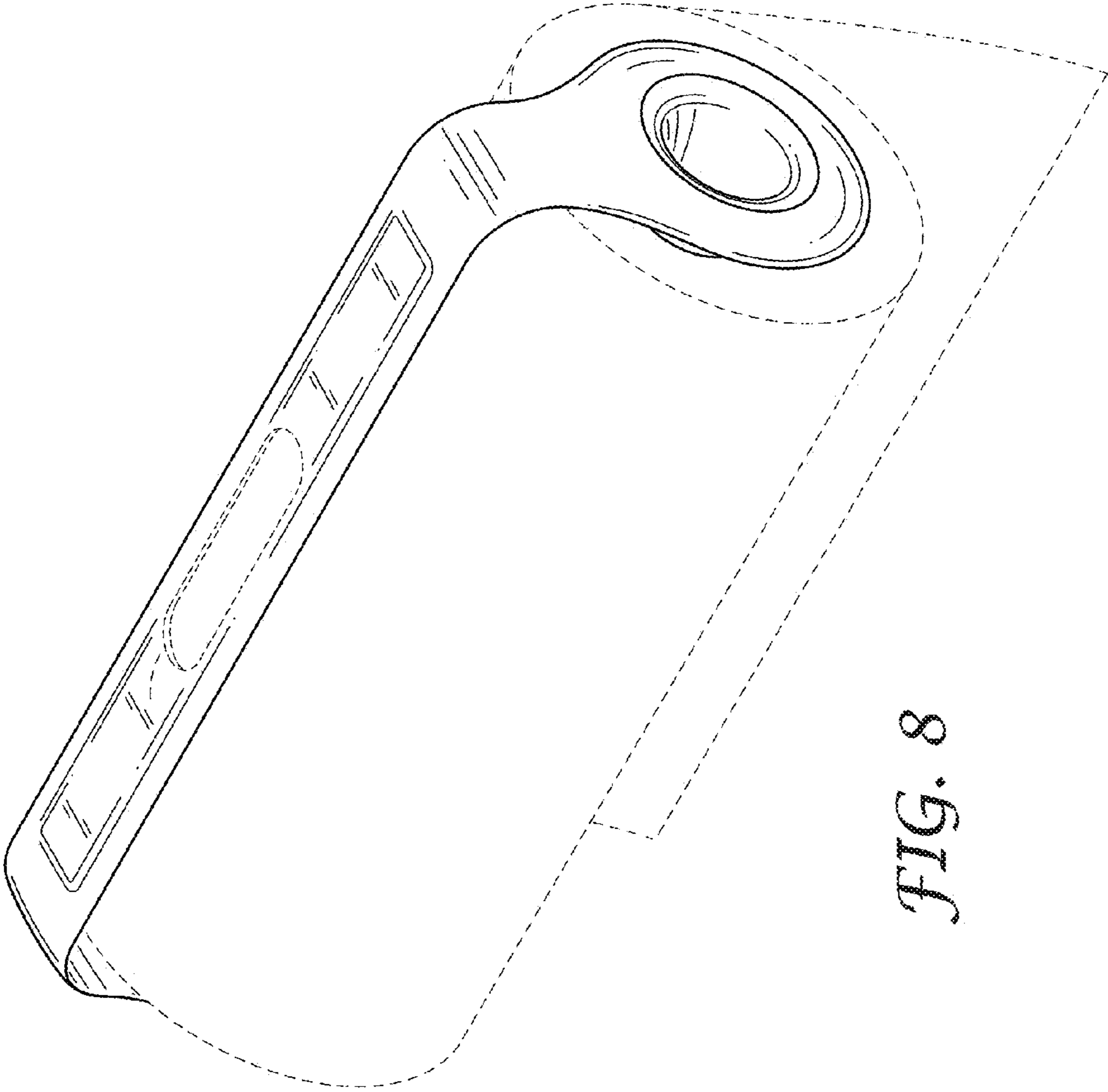


FIG. 8