



US00D739151S

(12) **United States Design Patent**
Lee

(10) **Patent No.:** **US D739,151 S**

(45) **Date of Patent:** **** Sep. 22, 2015**

(54) **BAR TABLE WITH CHAIRS**

(71) Applicant: **Hsiu-Ju Lee**, Changhua (TW)

(72) Inventor: **Hsiu-Ju Lee**, Changhua (TW)

(73) Assignee: **Phoebe & George Enterprise Co. Ltd.**,
Changhua (TW)

(**) Term: **14 Years**

(21) Appl. No.: **29/514,409**

(22) Filed: **Jan. 12, 2015**

(51) **LOC (10) Cl.** **06-01**

(52) **U.S. Cl.**
USPC **D6/338**

(58) **Field of Classification Search**
USPC 22/334-338, 349, 355, 361, 368-370,
22/376, 379-381, 716, 716.1, 716.2, 340,
22/354, 377, 709, 710, 716.4, 367;
297/16.1, 42, 94, 135, 175, 232, 233,
297/350, 351, 445.1, 448.1, 448.2, 451.9,
297/452.1, DIG. 7; 5/12.1, 12.2
CPC A47C 1/02; A47C 1/024; A47C 7/18;
A47C 7/24; A47C 17/00; A47C 17/02;
A47C 17/175

See application file for complete search history.

(56) **References Cited**

U.S. PATENT DOCUMENTS

D96,841 S *	9/1935	Kelley	D6/337
D158,921 S *	6/1950	McEwynn	D6/337
D379,874 S *	6/1997	Stirling et al.	D6/338
D427,802 S *	7/2000	Adler et al.	D6/686
D597,752 S *	8/2009	Hernandez et al.	D6/336
D618,000 S *	6/2010	Hernandez et al.	D6/336
D694,028 S *	11/2013	Hall	D6/338

* cited by examiner

Primary Examiner — Sandra Snapp

(74) *Attorney, Agent, or Firm* — Che-Yang Chen; Law Office of Michael Chen

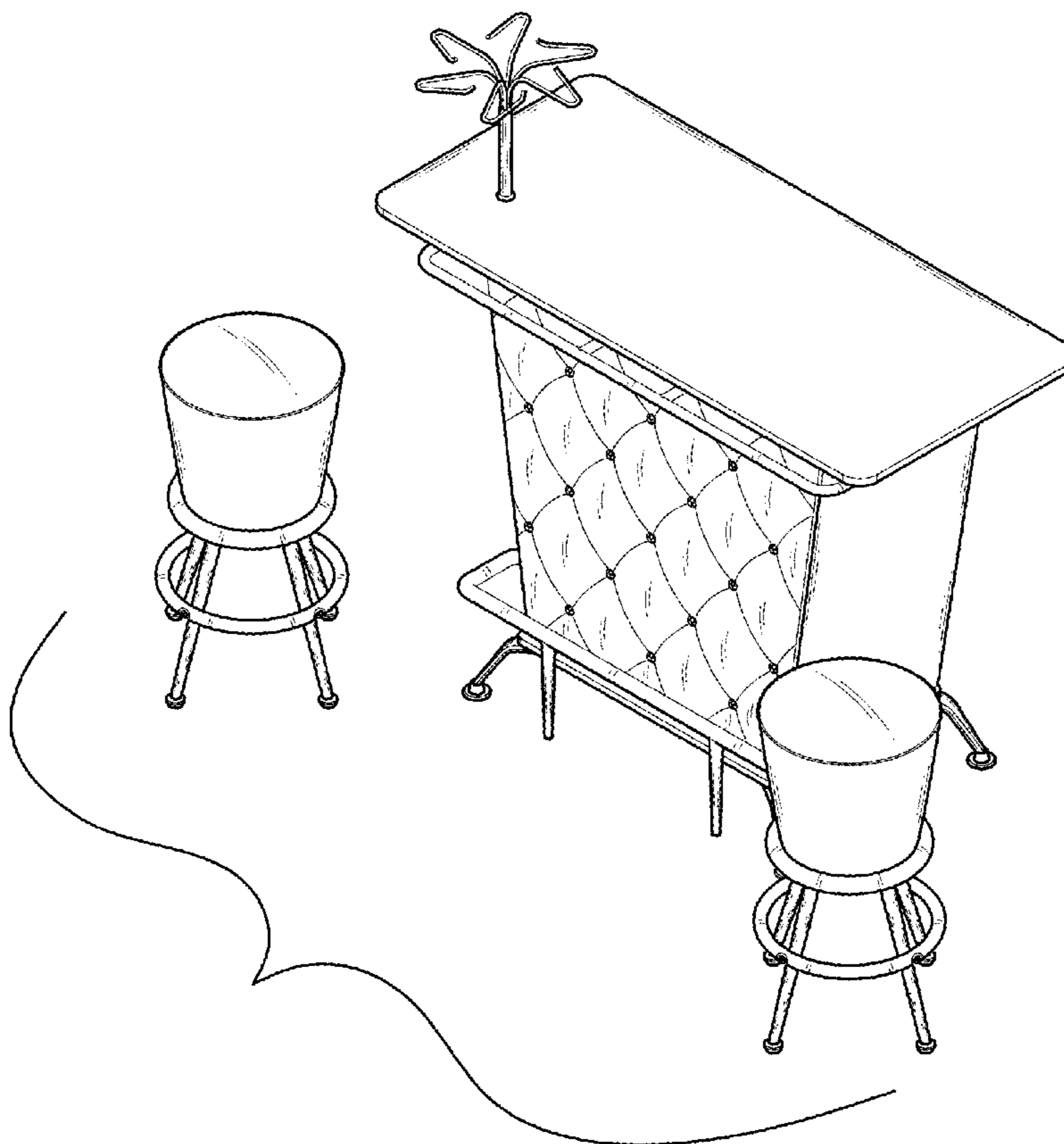
(57) **CLAIM**

The ornamental design for a bar table with chairs, as shown and described.

DESCRIPTION

FIG. 1 is a perspective view of a bar table with chairs showing my new design;
FIG. 2 is a front elevational view thereof;
FIG. 3 is a rear elevational view thereof;
FIG. 4 is a left side elevational view thereof;
FIG. 5 is a right side elevational view thereof;
FIG. 6 is a top plan view thereof; and,
FIG. 7 is a bottom plan view thereof.

1 Claim, 4 Drawing Sheets



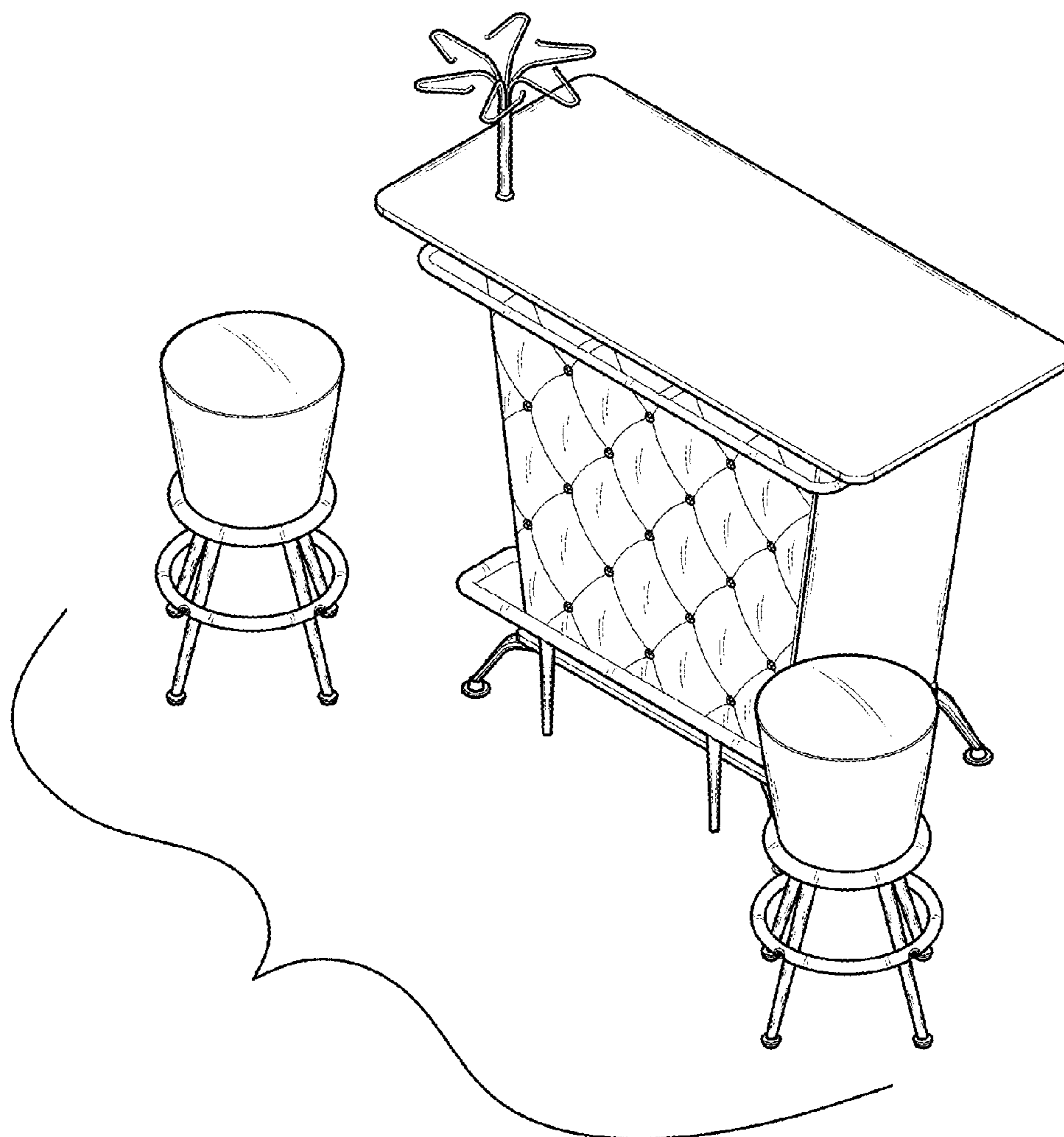


FIG. 1

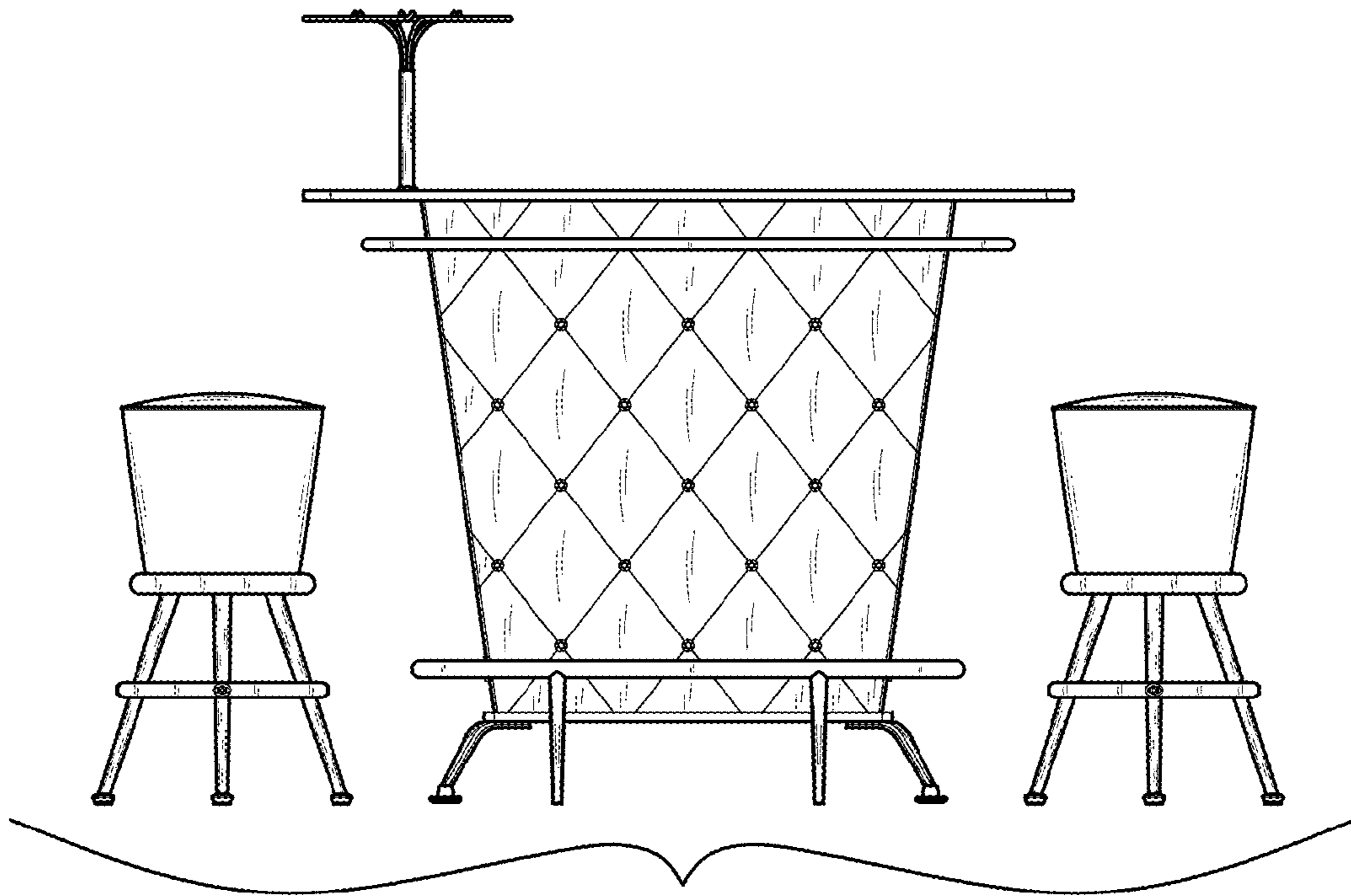


FIG. 2

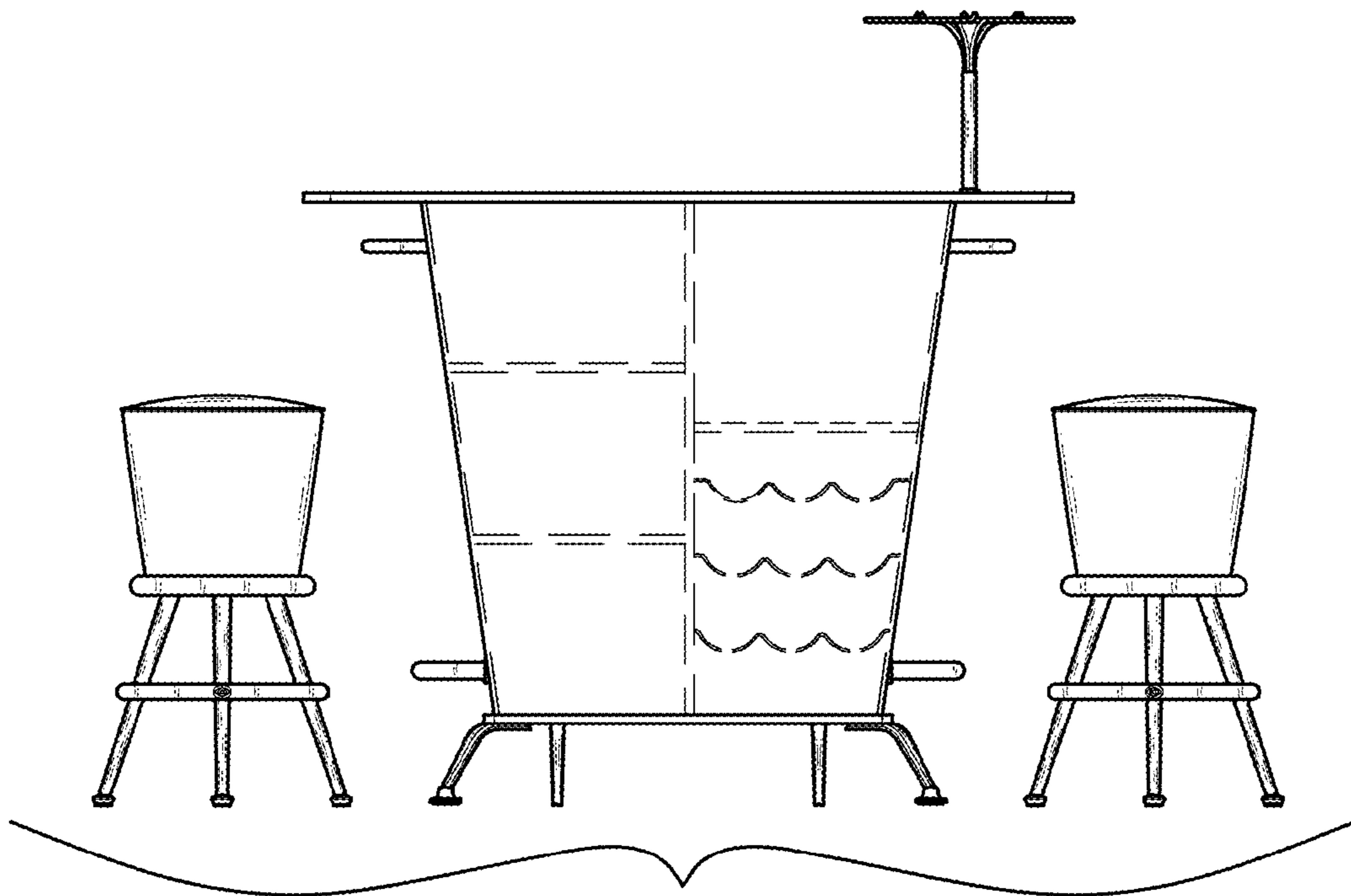


FIG. 3

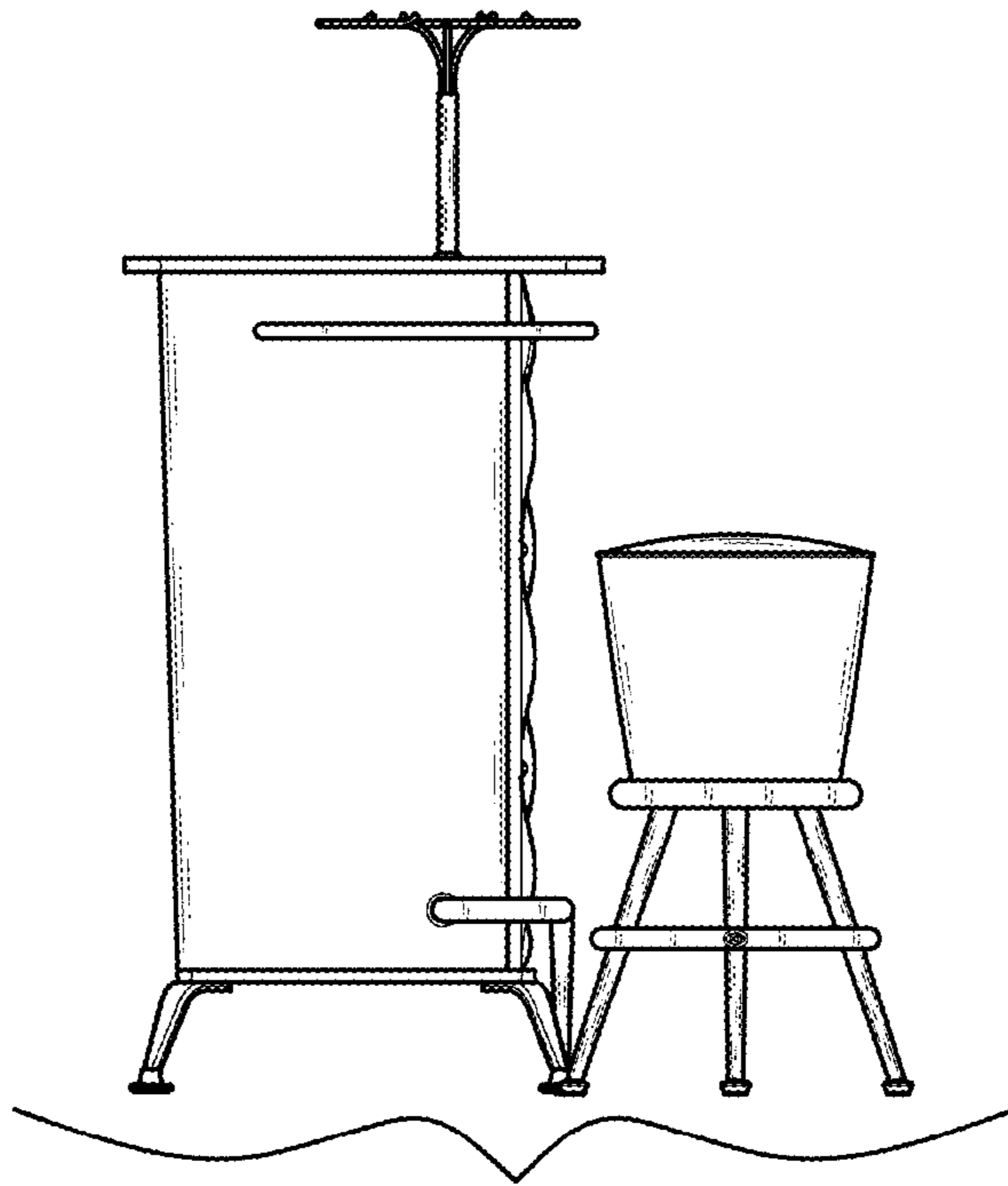


FIG. 4

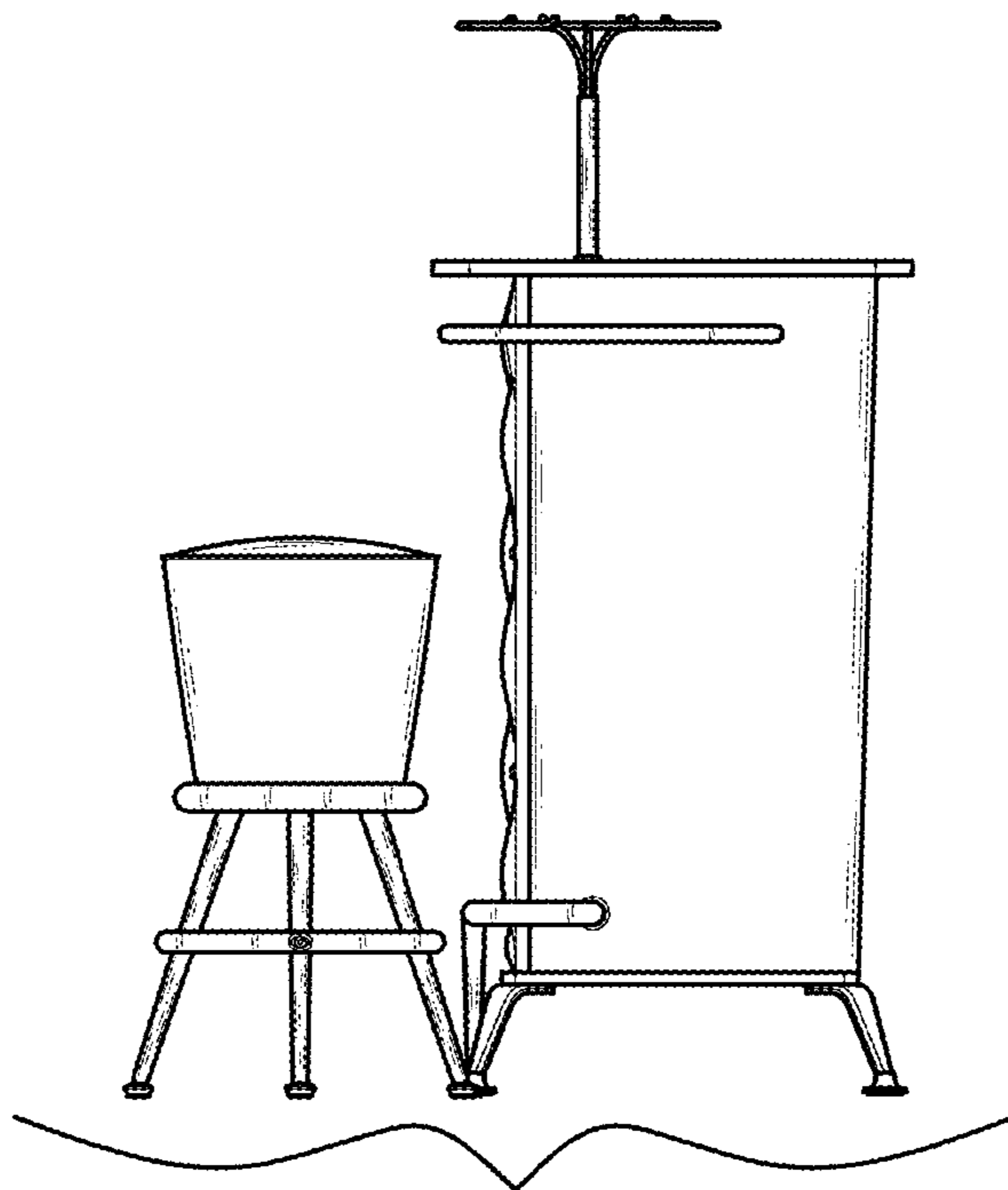


FIG. 5

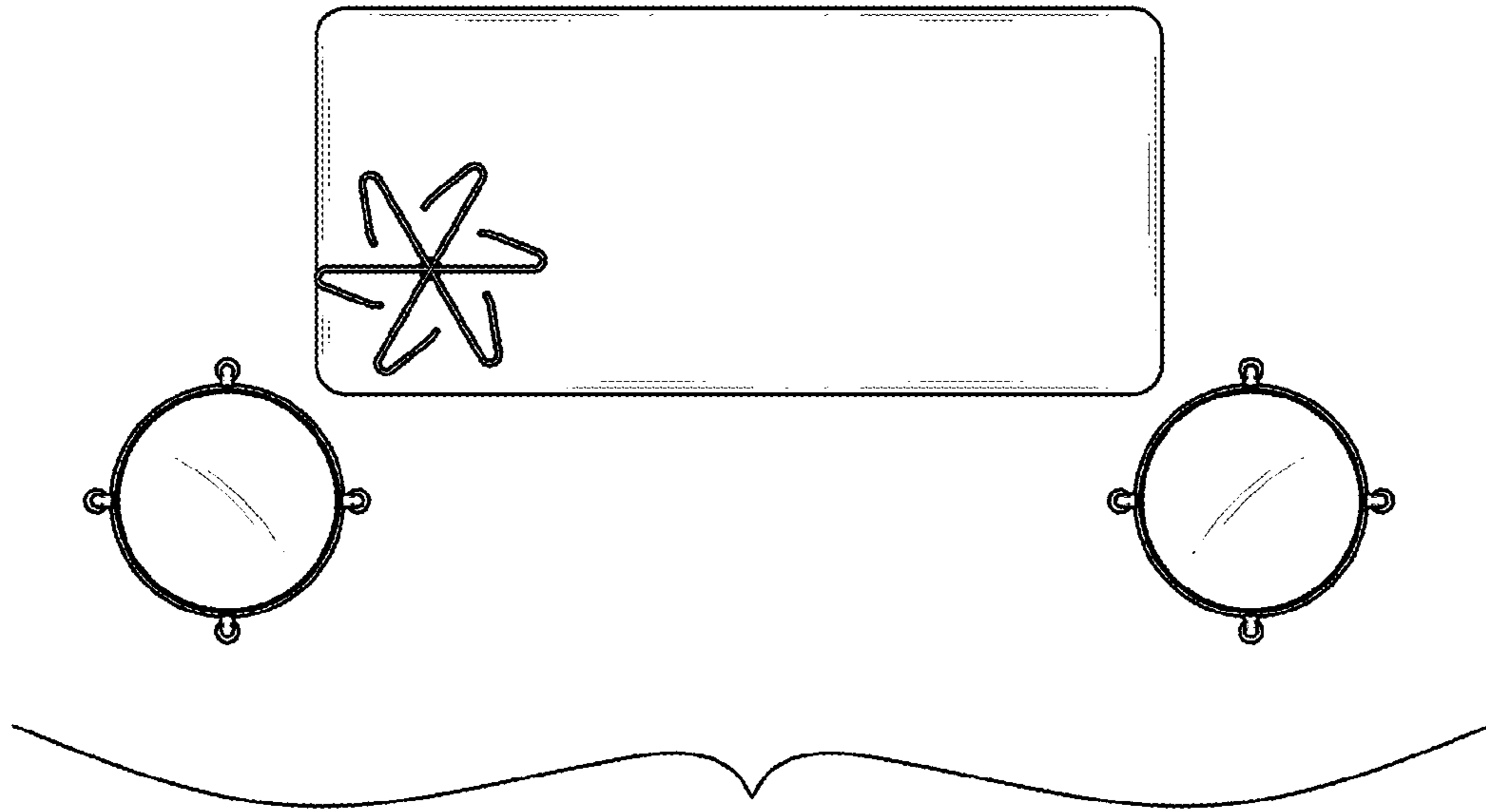


FIG. 6

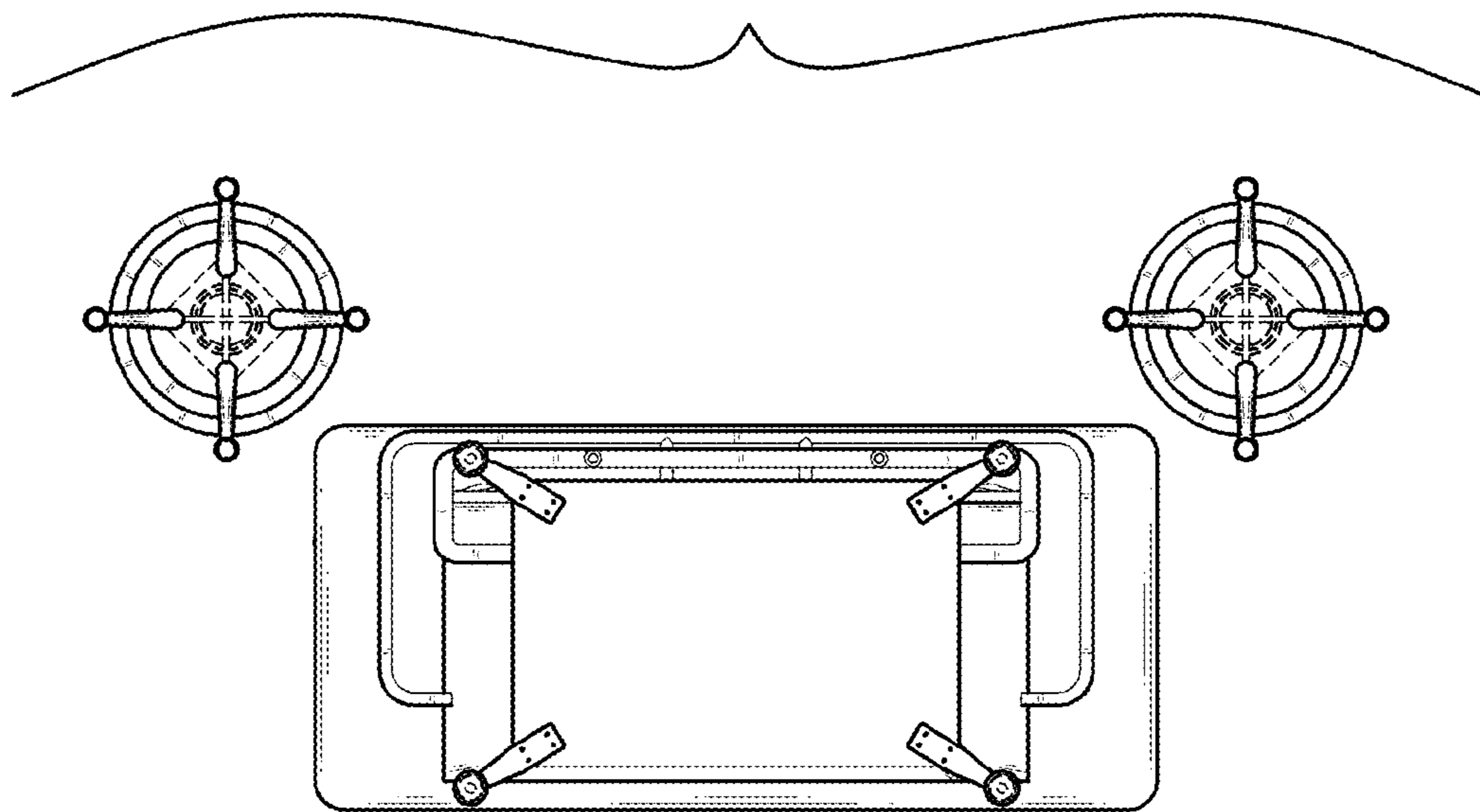


FIG. 7