



US00D739147S

(12) **United States Design Patent**  
**Hamilton**

(10) **Patent No.:** **US D739,147 S**

(45) **Date of Patent:** **\*\* Sep. 22, 2015**

(54) **FABRIC CARE BRUSH**

(71) Applicant: **Lilly Brush Co., LLC**, Englewood, CO  
(US)

(72) Inventor: **Elsie C. Hamilton**, Englewood, CO  
(US)

(73) Assignee: **Lilly Brush Co., LLC**, Denver, CO (US)

(\*\*) Term: **14 Years**

(21) Appl. No.: **29/432,807**

(22) Filed: **Sep. 20, 2012**

(51) **LOC (10) Cl.** ..... **04-02**

(52) **U.S. Cl.**  
USPC ..... **D4/134**

(58) **Field of Classification Search**  
USPC ..... D4/104–113, 116, 121, 134, 199;  
15/159.1, 160, 167.1, 167.2, 186–188;  
132/308–311; D3/205; D6/534;  
206/361, 362.2  
CPC ..... A46B 1/00; A46B 3/00; A46B 3/005;  
A46B 3/02; A46B 5/00; A46B 9/00; A46B  
9/005; A46B 9/02; A46B 15/0095; A46B  
15/0097; A46B 2200/00; A46B 2200/10;  
A46B 2200/1006; A46B 2200/1013; A46B  
2200/30; A46B 2200/3053; A46B 2200/3073;  
A46B 2200/104; A46B 2200/1066; A46B  
2200/1073; A46B 2200/1086; A46B 9/023;  
A46B 9/04; A46B 17/04  
See application file for complete search history.

(56) **References Cited**

**U.S. PATENT DOCUMENTS**

2,021,278 A \* 11/1935 Zielinski ..... 15/185  
2,223,484 A \* 12/1940 Engelbreit ..... 132/311  
2,637,869 A \* 5/1953 Tomlinson ..... 15/184

3,560,103 A \* 2/1971 Miranda ..... 401/278  
4,023,230 A \* 5/1977 Friedman et al. .... 15/185  
D272,687 S \* 2/1984 Stocchi ..... D4/110  
4,442,565 A \* 4/1984 Zierhut ..... 15/27  
D559,445 S 1/2008 Chudzik

**FOREIGN PATENT DOCUMENTS**

EP 0063668 A1 \* 11/1982 ..... A46B 11/02  
JP 1306685 S \* 7/2007  
JP 1420017 S \* 8/2011

**OTHER PUBLICATIONS**

Rotary tooth brush head, unknown manufacturer, published prior to 2012, 1 page.  
Tooth brush, unknown manufacturer, published prior to 2012, 1 page.  
Comb, unknown manufacturer, published prior to 2012, 1 page.  
Spectacle case, unknown manufacturer, published prior to 2012, 1 page.

\* cited by examiner

*Primary Examiner* — Melanie H Tung  
*Assistant Examiner* — Lavone D Tabor  
(74) *Attorney, Agent, or Firm* — Holland & Hart LLP

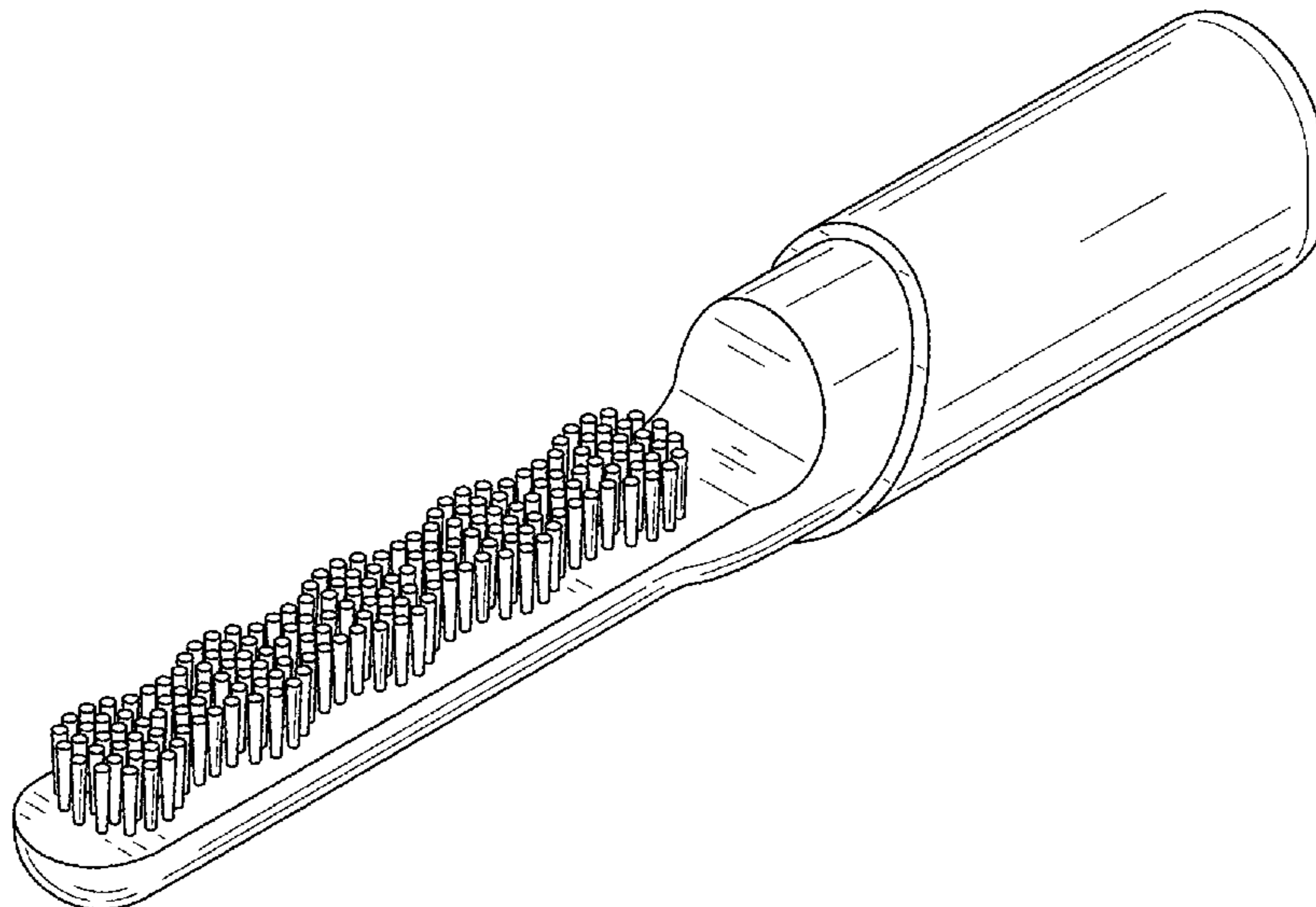
(57) **CLAIM**

The ornamental design for a fabric care brush, as shown and described.

**DESCRIPTION**

FIG. 1 is top perspective view of a fabric care brush showing my new design;  
FIG. 2 is a right side elevation view thereof;  
FIG. 3 is top plan view thereof;  
FIG. 4 is a bottom plan view thereof;  
FIG. 5 is a left end view thereof; and,  
FIG. 6 is a right end view thereof.

**1 Claim, 5 Drawing Sheets**



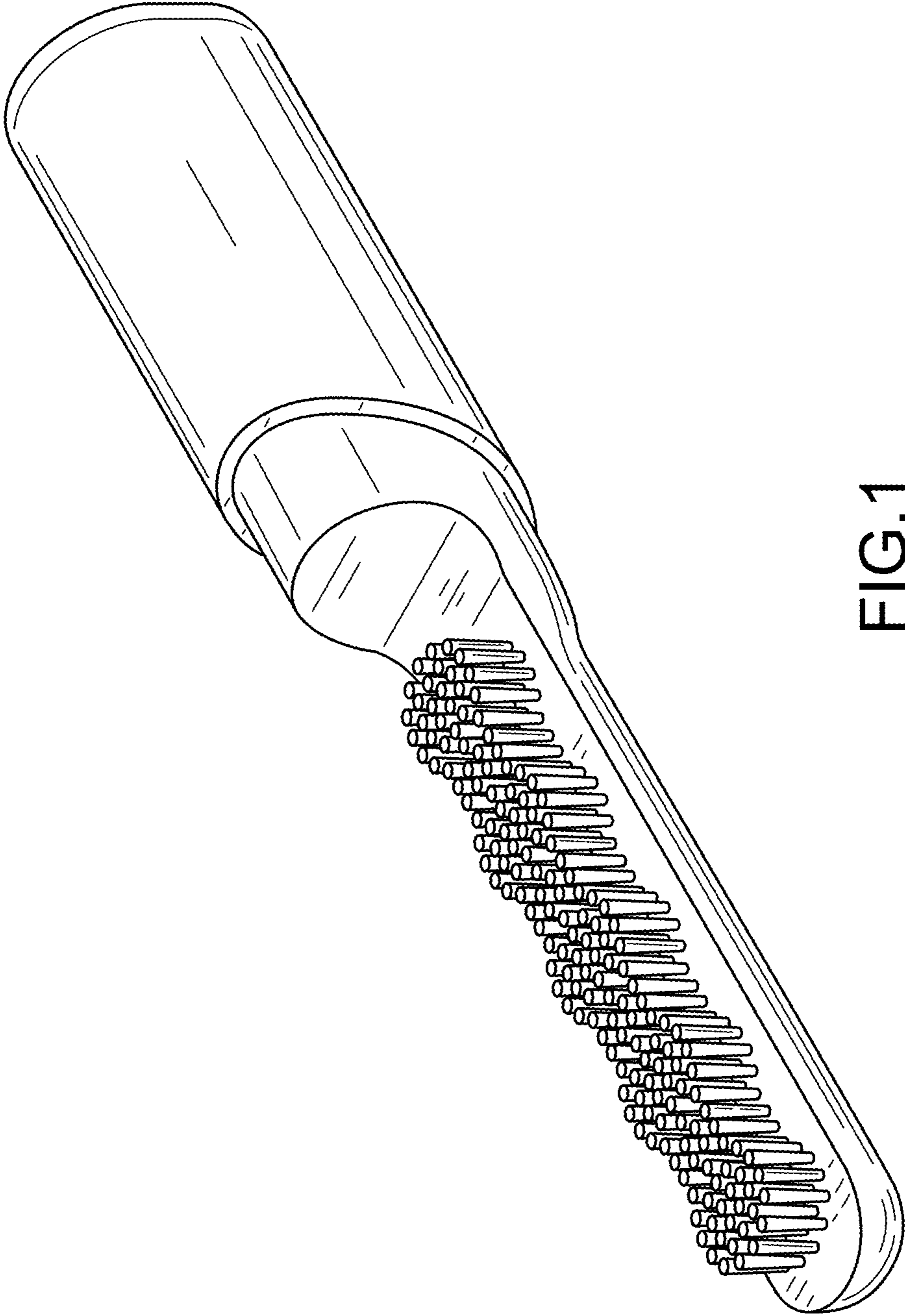


FIG.1

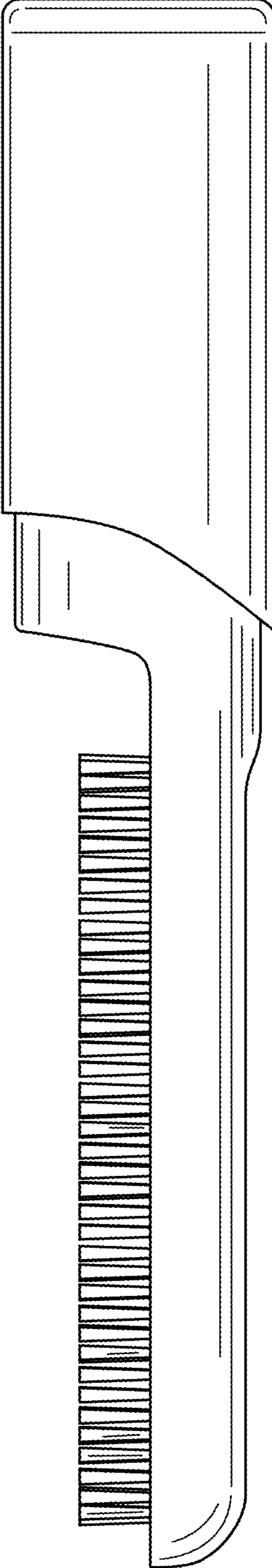


FIG.2

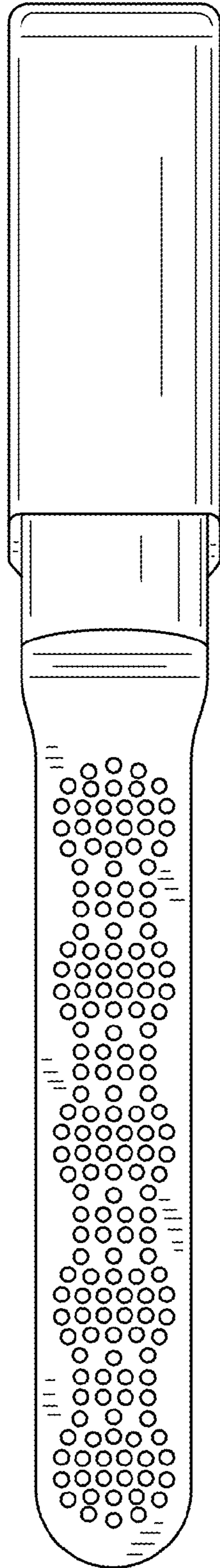


FIG.3

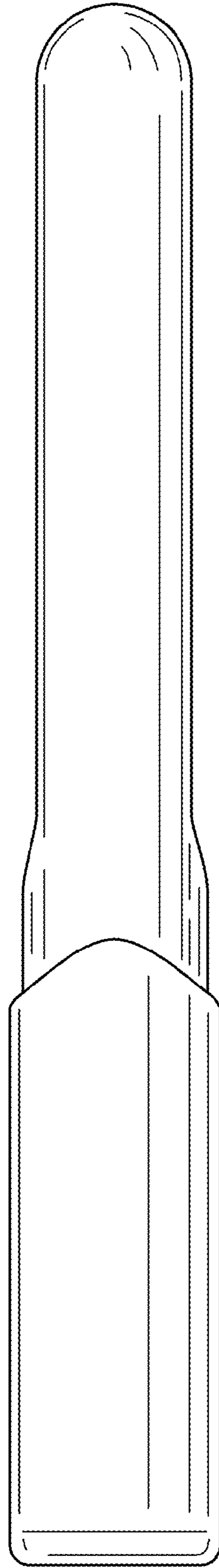


FIG.4

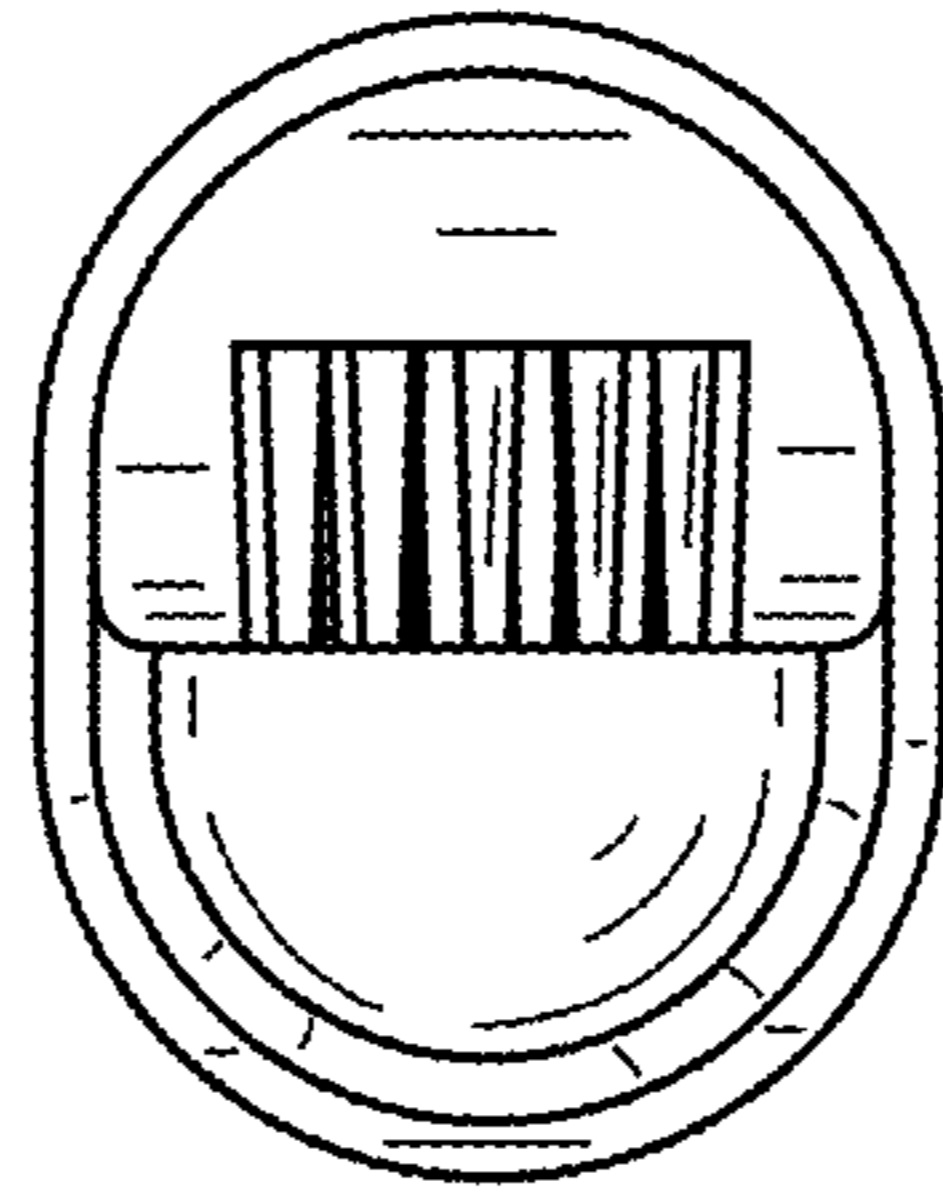


FIG. 5

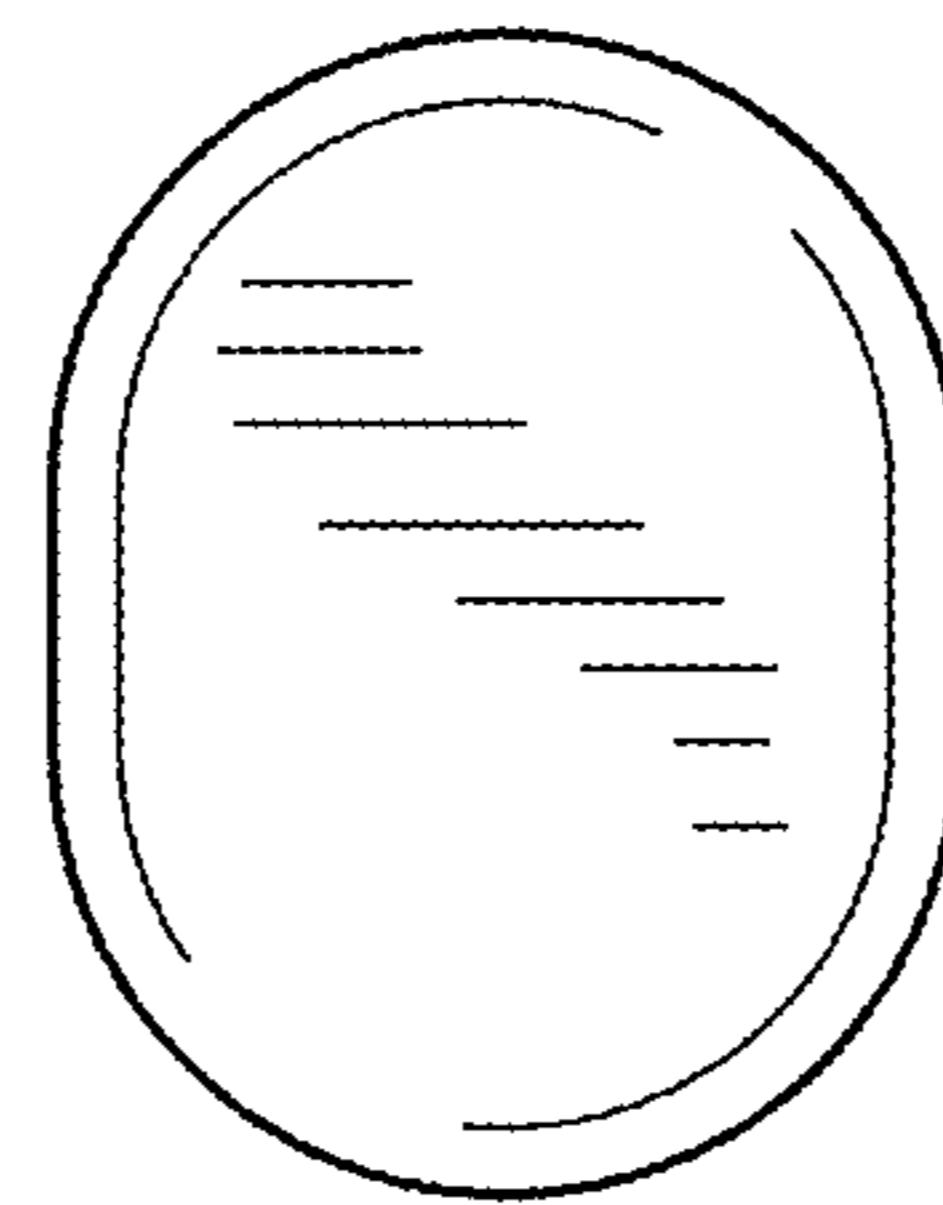


FIG. 6