



US00D739144S

(12) **United States Design Patent**
Kinskey

(10) **Patent No.:** **US D739,144 S**

(45) **Date of Patent:** **** Sep. 22, 2015**

(54) **BELT CLIP SUPPORT**

D696,018 S * 12/2013 Sassi D3/318

* cited by examiner

(71) Applicant: **LF Centennial Ltd.**, Road Town, Tortola (VG)

Primary Examiner — Holly Baynham

(72) Inventor: **Terrence P. Kinskey**, Alpharetta, GA (US)

(74) *Attorney, Agent, or Firm* — Duane Morris LLP; J. Rodman Steele, Jr.; Gregory M. Lefkowitz

(73) Assignee: **LF CENTENNIAL LTD.**, Road Town, Tortola (VG)

(57) **CLAIM**

The ornamental design for a belt clip support, as shown and described.

(**) Term: **14 Years**

DESCRIPTION

(21) Appl. No.: **29/482,779**

FIG. 1 is a front, perspective view of my ornamental design; FIG. 2 is a left side view of the ornamental design of FIG. 1; FIG. 3 is a right side view of the ornamental design of FIG. 1; FIG. 4 is a front view of the ornamental design of FIG. 1; FIG. 5 is a back view of the ornamental design of FIG. 1; FIG. 6 is a top view of the ornamental design of FIG. 1; FIG. 7 is a bottom view of the ornamental design of FIG. 1; FIG. 8 is a perspective, environmental view of the ornamental design of FIG. 1; FIG. 9 is a close up of the environmental view of the ornamental design of FIG. 8; and, FIG. 10 is a cross-sectional view of the environmental view of the ornamental design of FIG. 8 taken along cut line 10-10. The broken lines are included for purposes of illustrating environment and form no part of the claimed design.

(22) Filed: **Feb. 21, 2014**

(51) **LOC (10) Cl.** **03-01**

(52) **U.S. Cl.**
USPC **D3/318**

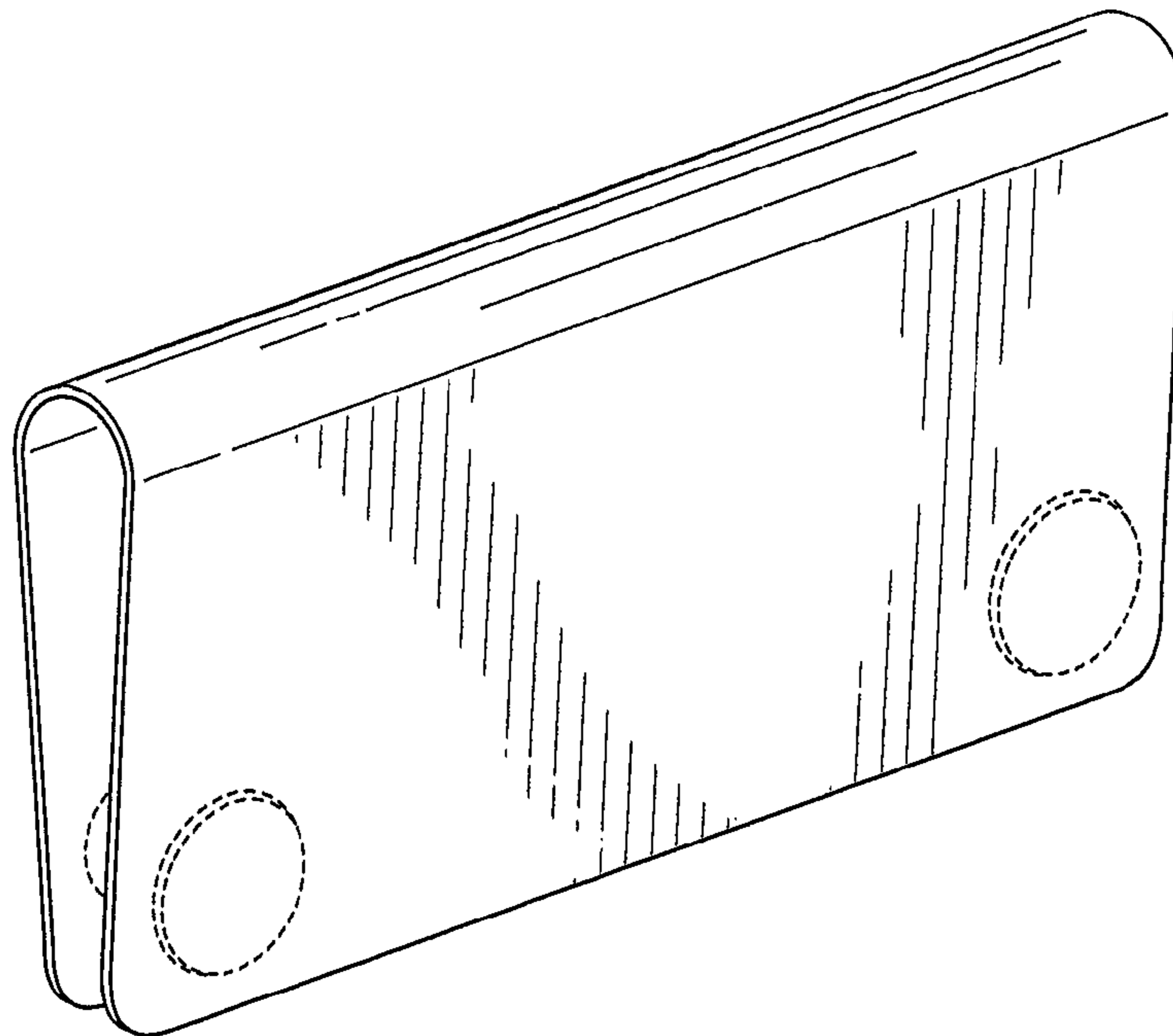
(58) **Field of Classification Search**
USPC D3/318, 232–233, 240–243, 245–246
CPC A45C 1/024; A45C 3/08; A45C 3/06
See application file for complete search history.

(56) **References Cited**

U.S. PATENT DOCUMENTS

512,565 A * 1/1894 Read 150/114
D133,968 S * 9/1942 Tashman D3/243

1 Claim, 4 Drawing Sheets



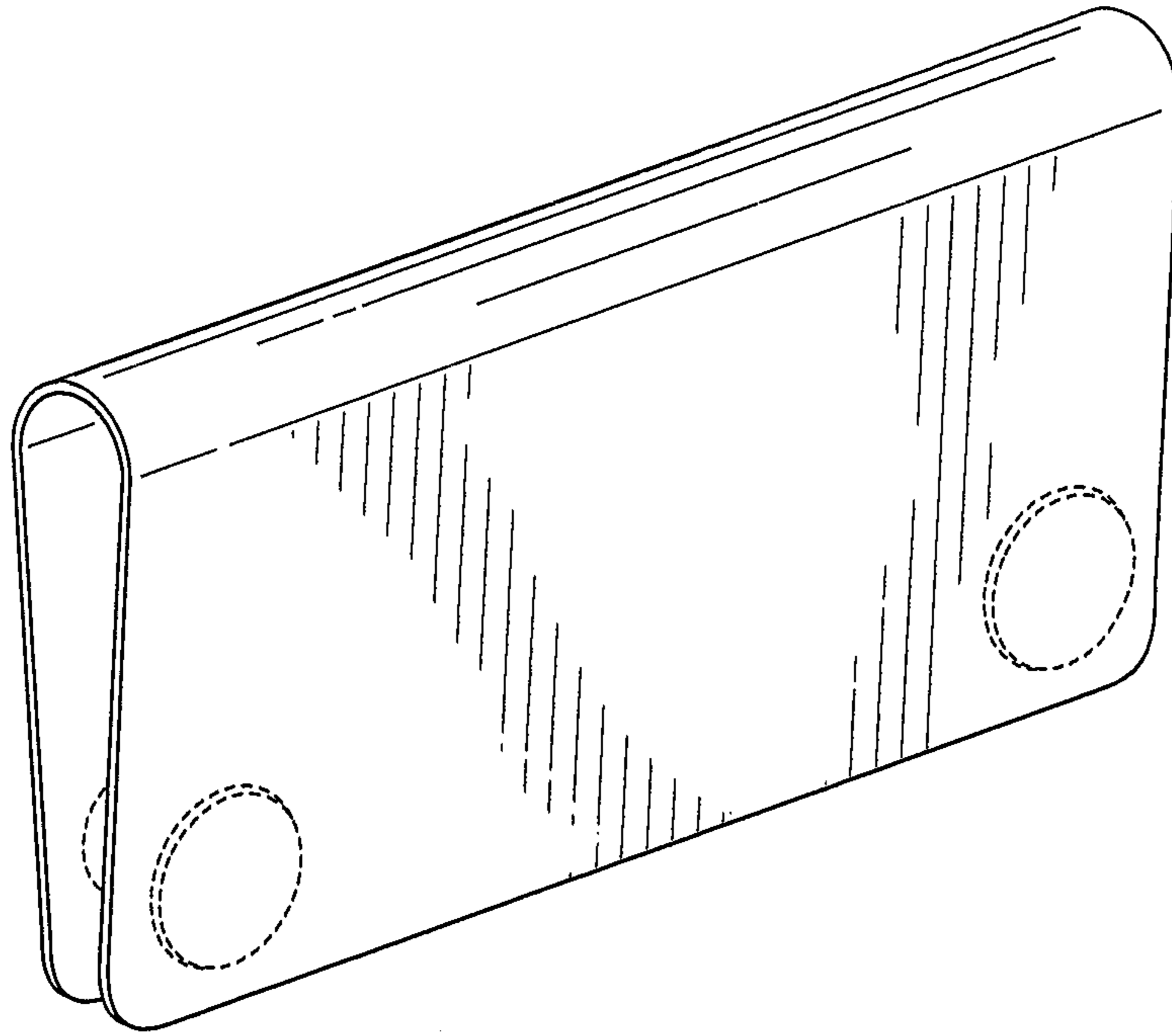


FIG. 1

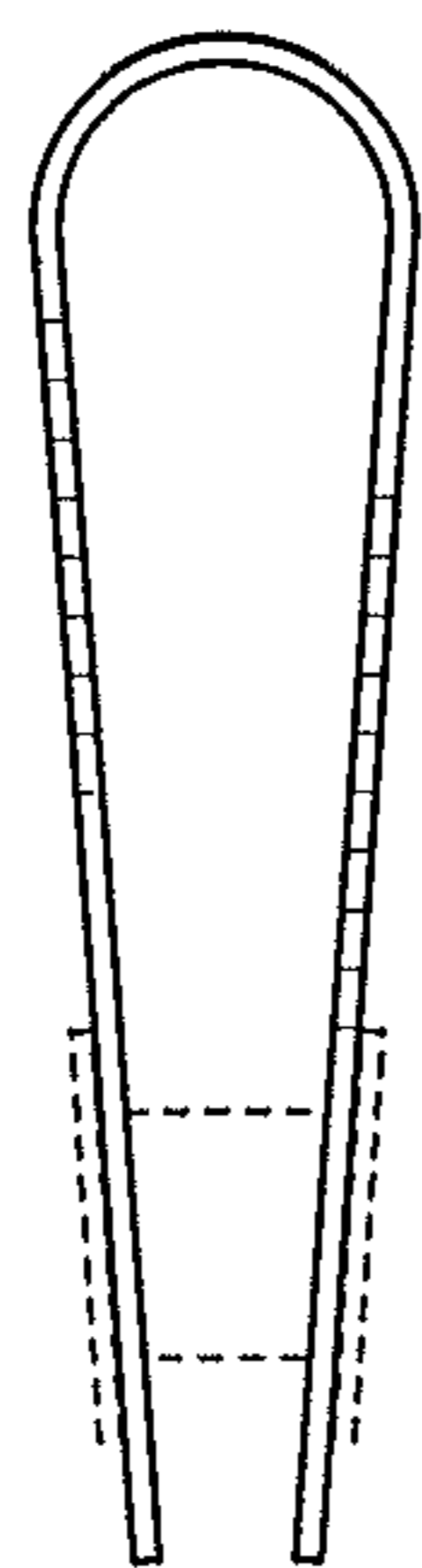


FIG. 2

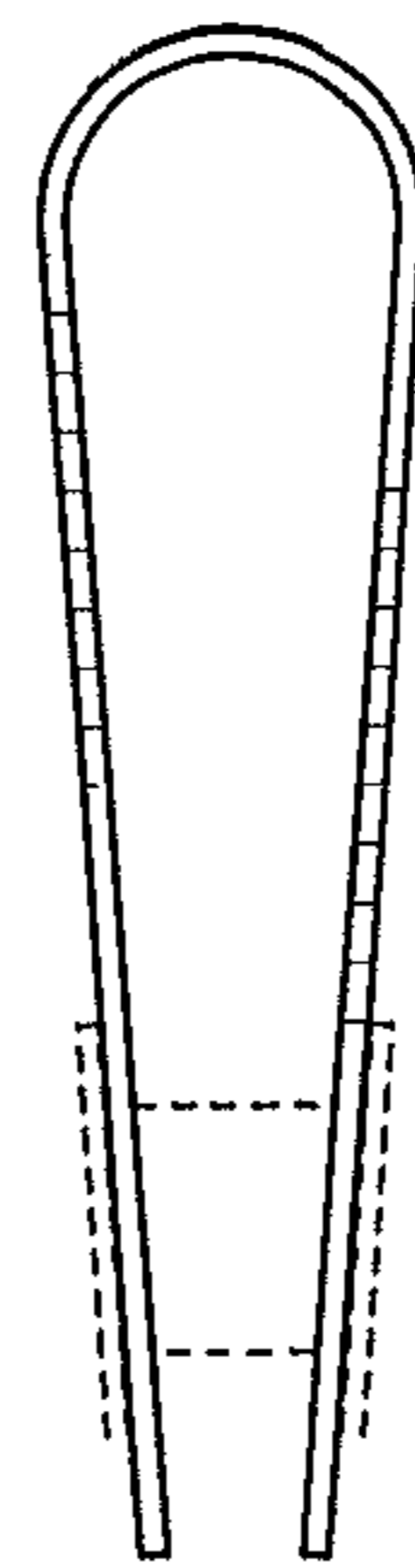


FIG. 3

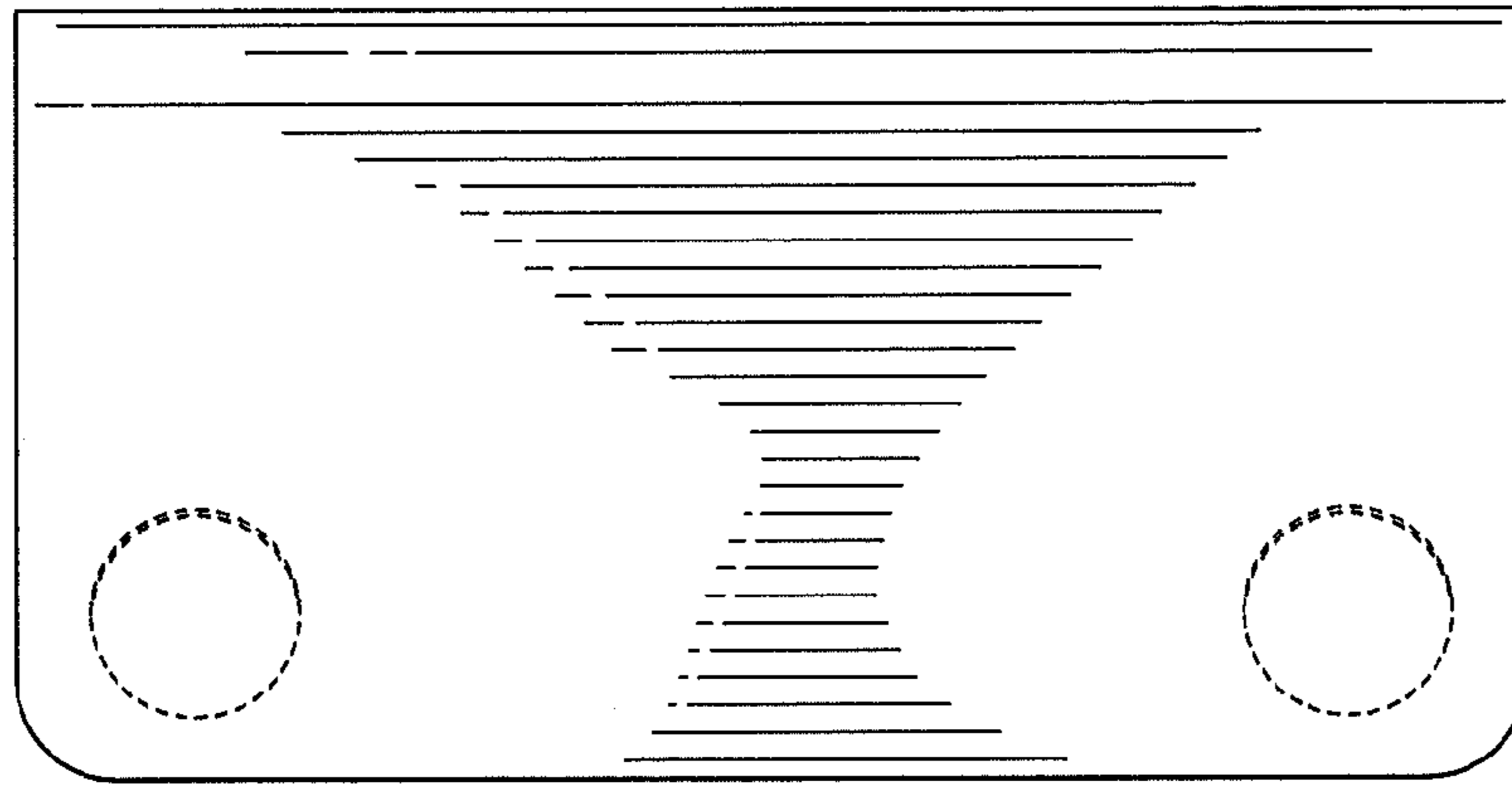


FIG. 4

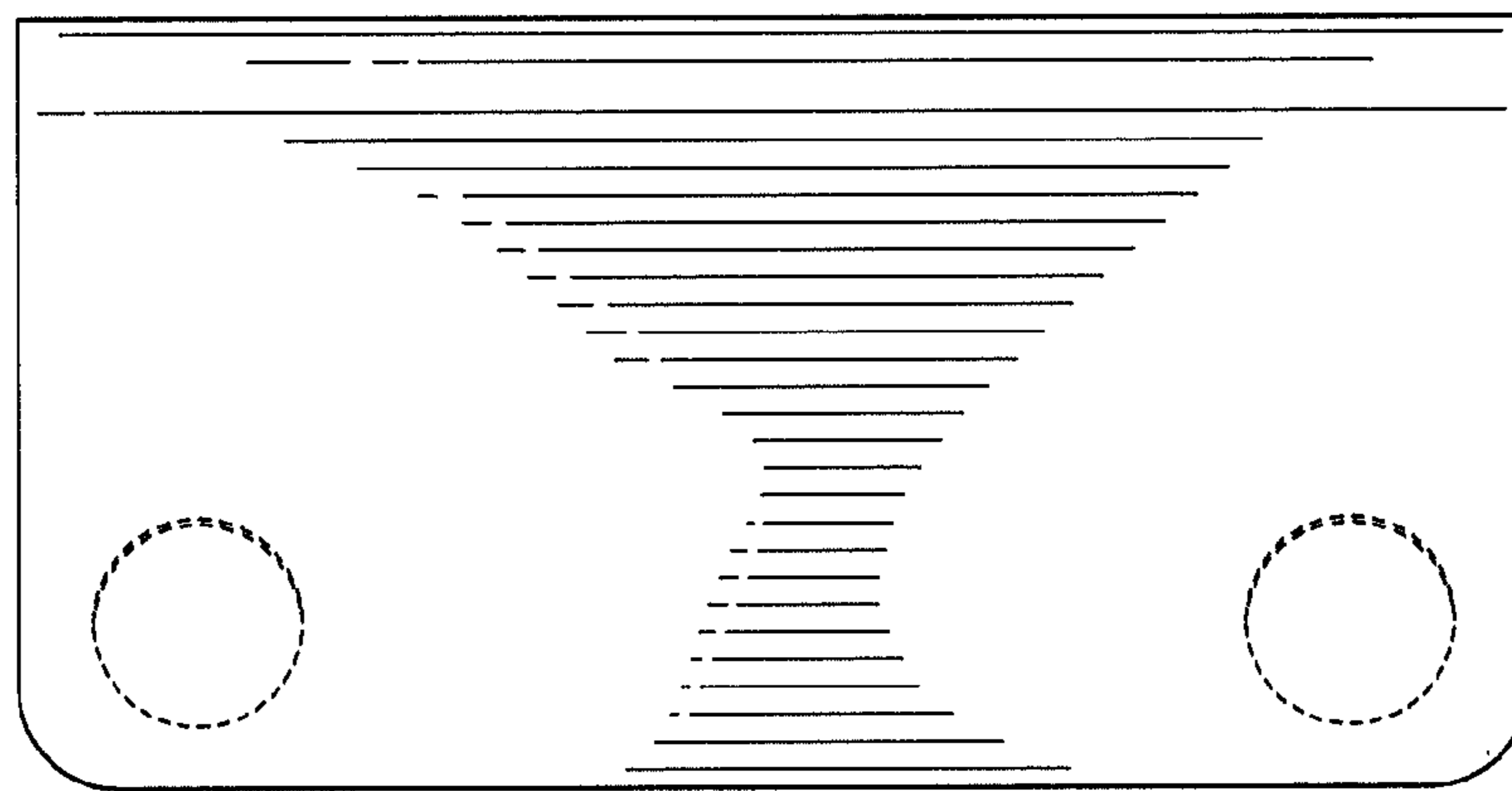


FIG. 5

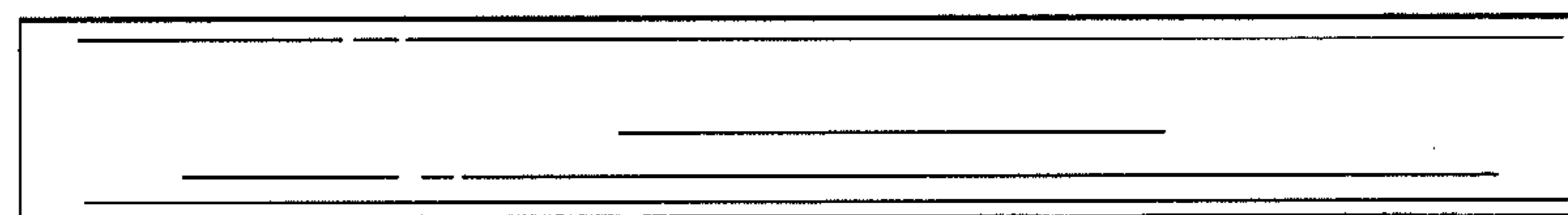


FIG. 6

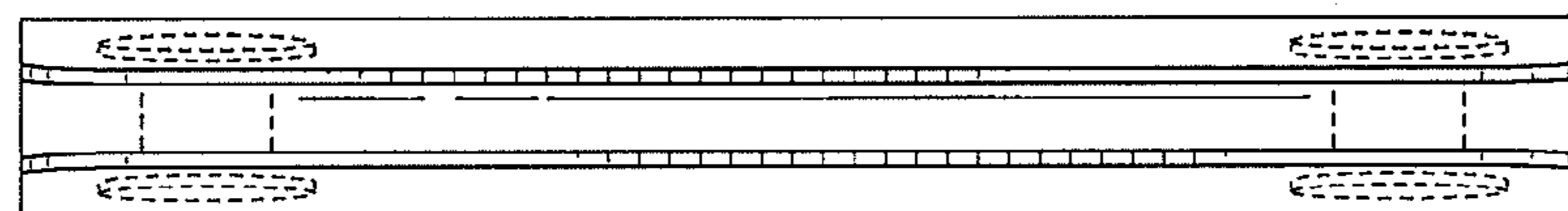


FIG. 7

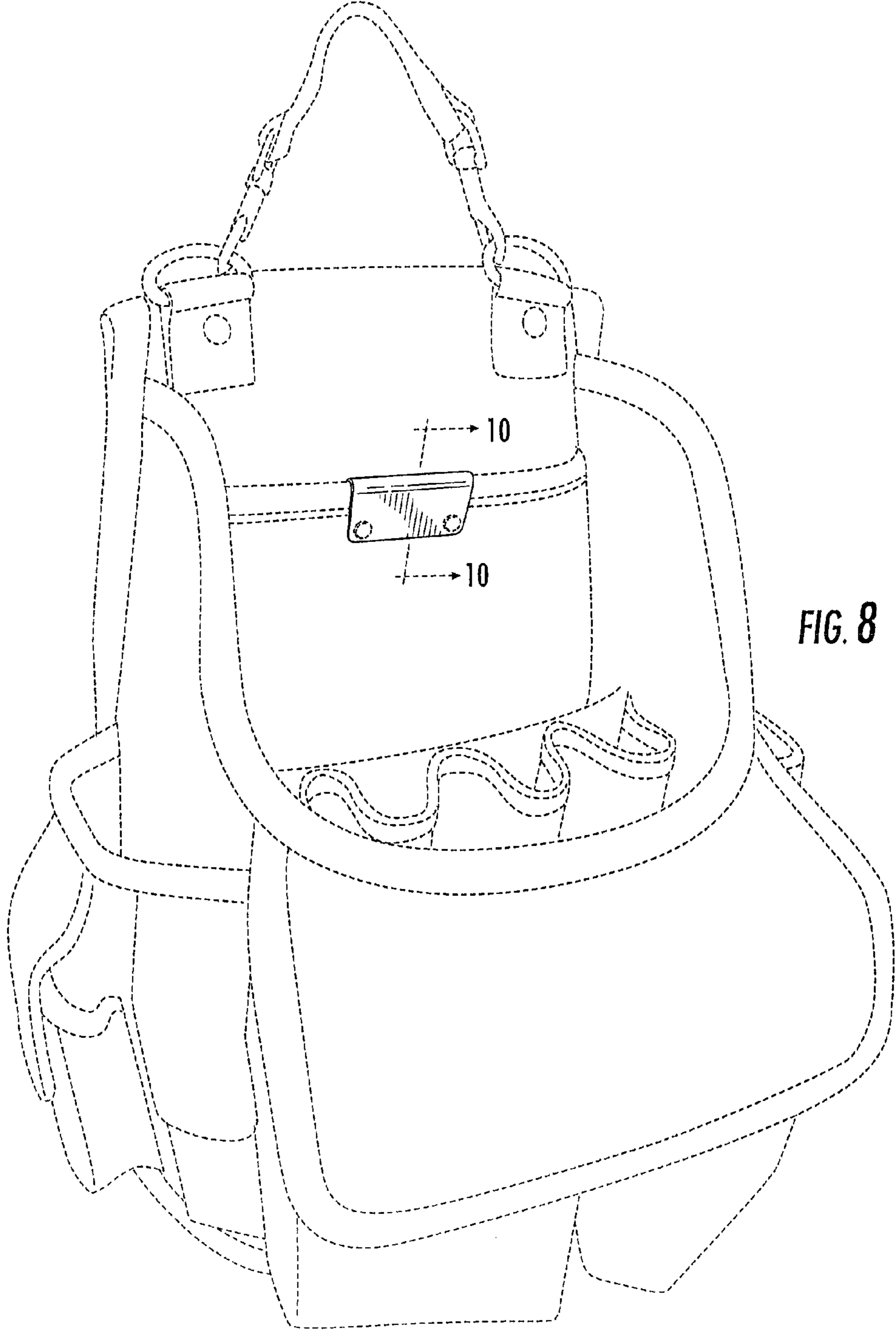


FIG. 8

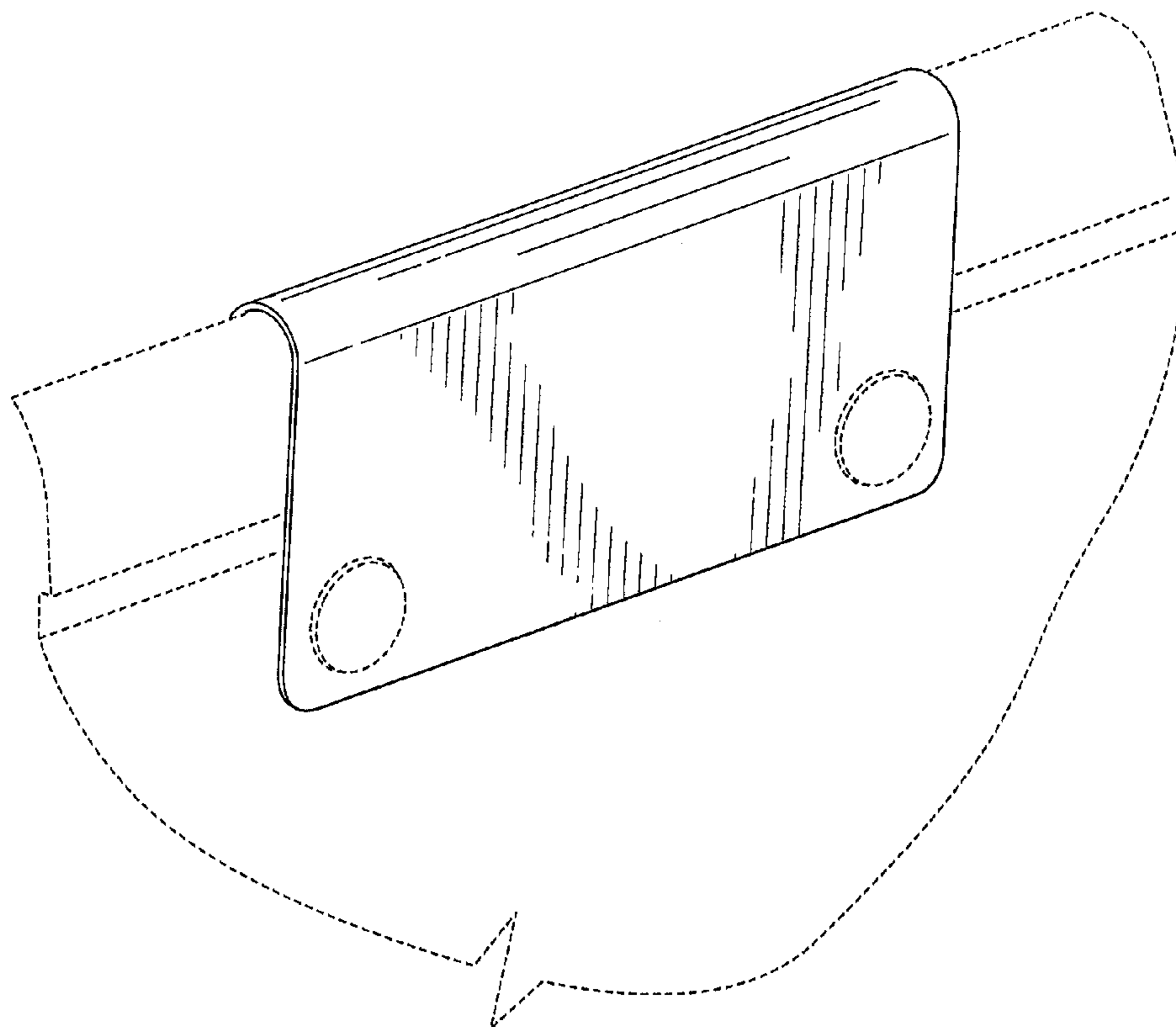


FIG. 9

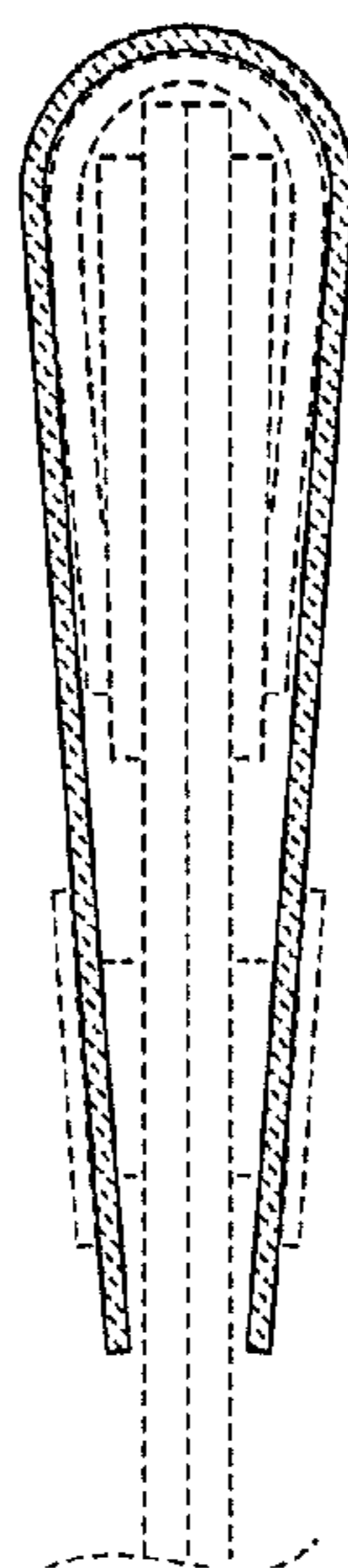


FIG. 10