



US00D739141S

(12) **United States Design Patent**
Gabrielyan

(10) **Patent No.:** **US D739,141 S**

(45) **Date of Patent:** **** Sep. 22, 2015**

(54) **CASE**

(71) Applicant: **Sos Gabrielyan**, Seatac, WA (US)

(72) Inventor: **Sos Gabrielyan**, Seatac, WA (US)

(**) Term: **14 Years**

(21) Appl. No.: **29/514,267**

(22) Filed: **Jan. 9, 2015**

Related U.S. Application Data

(63) Continuation-in-part of application No. 29/475,009, filed on Nov. 27, 2013, now Pat. No. Des. 726,416.

(51) **LOC (10) Cl.** **03-01**

(52) **U.S. Cl.**
USPC **D3/282**; D3/294

(58) **Field of Classification Search**
USPC D3/280–288, 291–297, 900–905, 272,
D3/273, 276, 302; 190/110, 111, 112;
206/372–379, 349, 508; 220/523–528,
220/23.4, 324, 326; D9/415, 276, 282, 424,
D9/426; D14/440

See application file for complete search history.

(56) **References Cited**

U.S. PATENT DOCUMENTS

D314,669 S * 2/1991 Kunimune D3/282
D332,466 S * 1/1993 Logan D19/36
D403,508 S * 1/1999 Kheradpir et al. D3/294
D408,144 S * 4/1999 Lux D3/292

D424,296 S * 5/2000 David D3/273
6,167,680 B1 * 1/2001 Horn 53/473
D578,129 S * 10/2008 Weber D14/440
D674,380 S * 1/2013 Soekoro D14/250
D691,146 S 10/2013 Perez
2007/0074984 A1 * 4/2007 Liu 206/349
2013/0206622 A1 * 8/2013 Thomas 206/349

* cited by examiner

Primary Examiner — Jennifer Rivard

Assistant Examiner — April Rivas

(74) *Attorney, Agent, or Firm* — Bold IP, PLLC; John Hoavener

(57) **CLAIM**

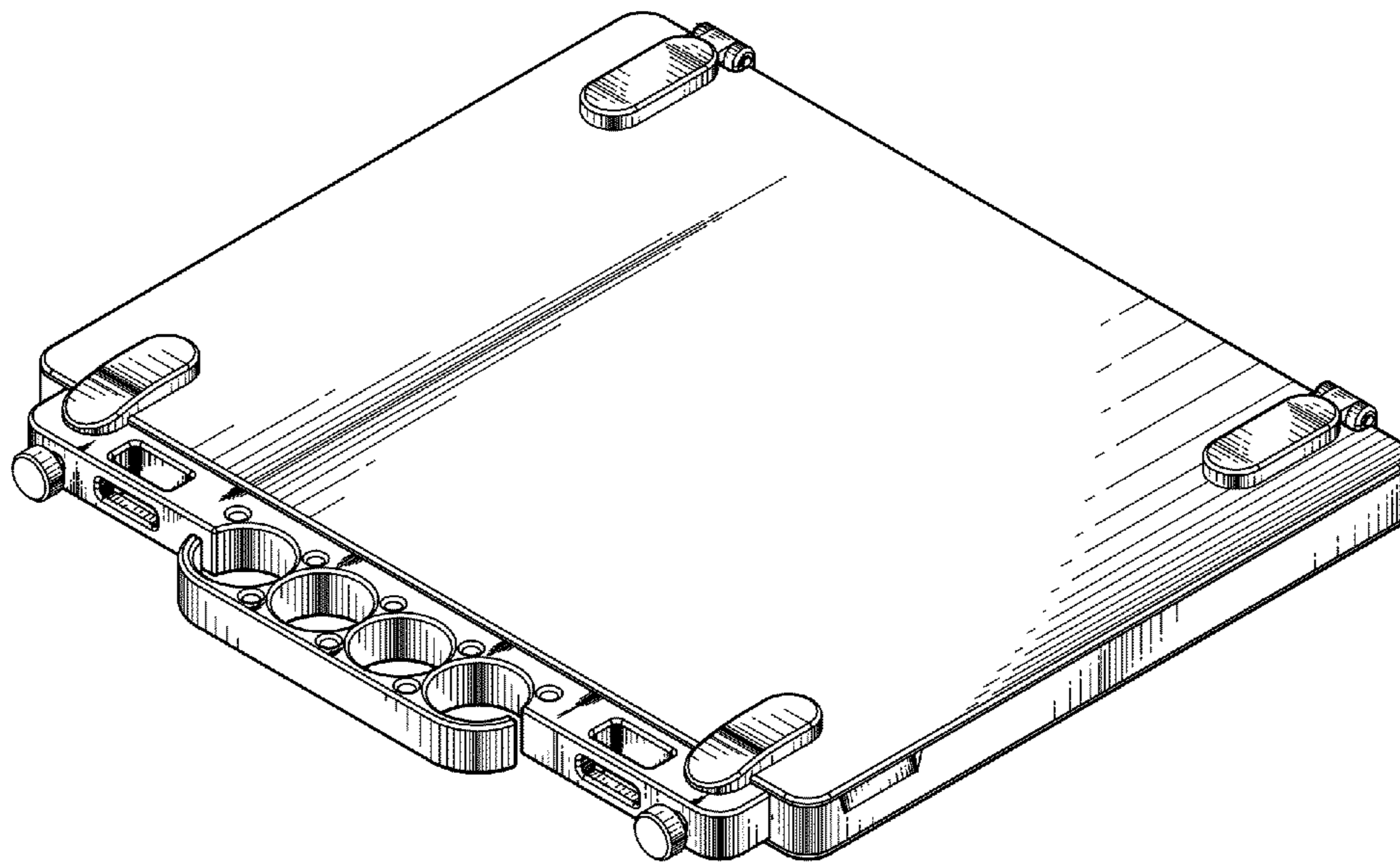
The ornamental design for a case, as shown and described.

DESCRIPTION

FIG. 1 is a front perspective view of the case in accordance with an embodiment of the design;
FIG. 2 is a top plan view thereof;
FIG. 3 is a front elevation view thereof;
FIG. 4 is a rear elevation view thereof;
FIG. 5 is a right side elevation view thereof, the left side elevation view thereof being a mirror image of the view shown in FIG. 5;
FIG. 6 is a bottom plan view thereof; and,
FIG. 7 is a front perspective view of the case showing the lid in an open position.

The broken lines shown in the drawings illustrate portions of the case and form no part of the claimed design.

1 Claim, 5 Drawing Sheets



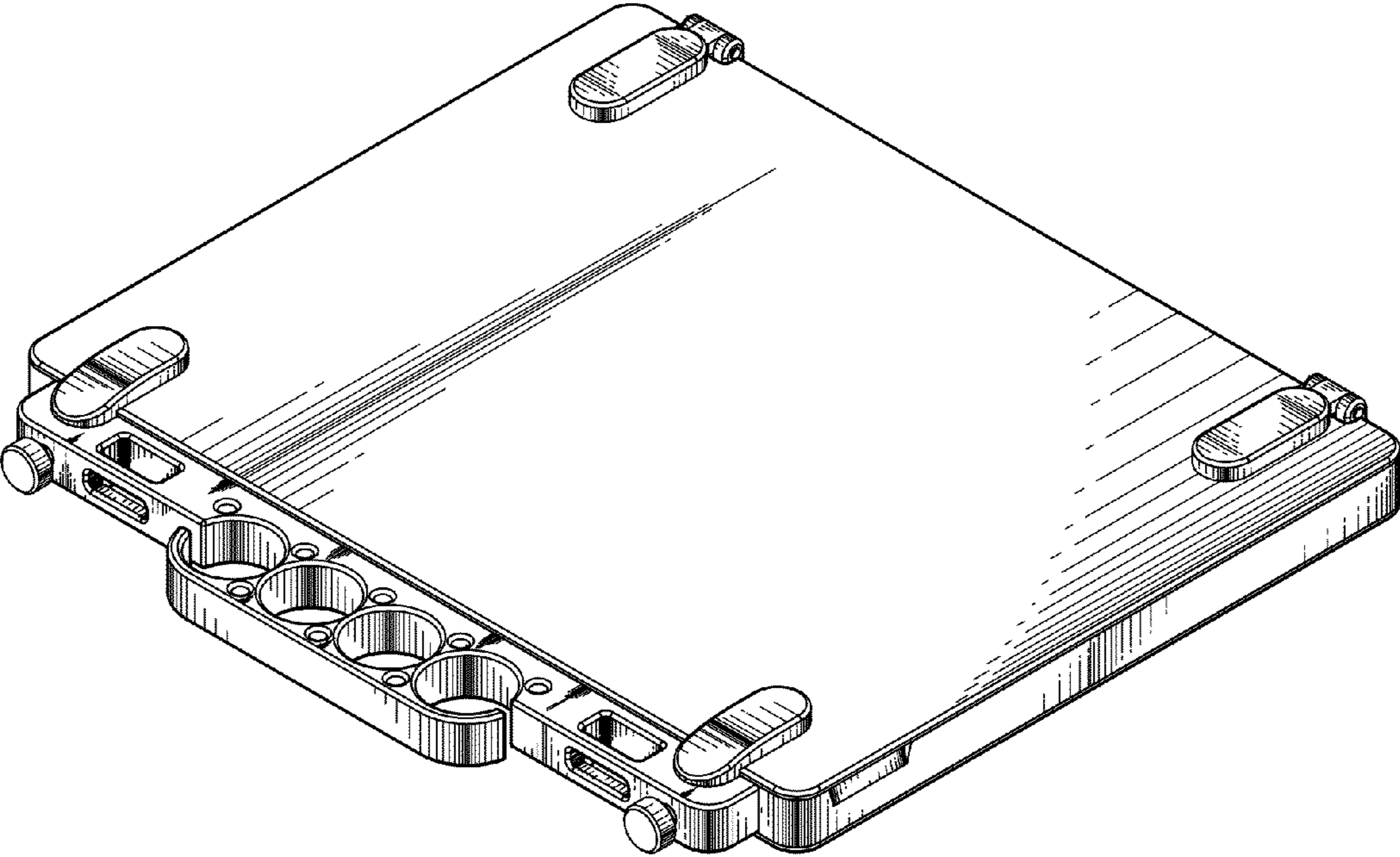


Fig. 1

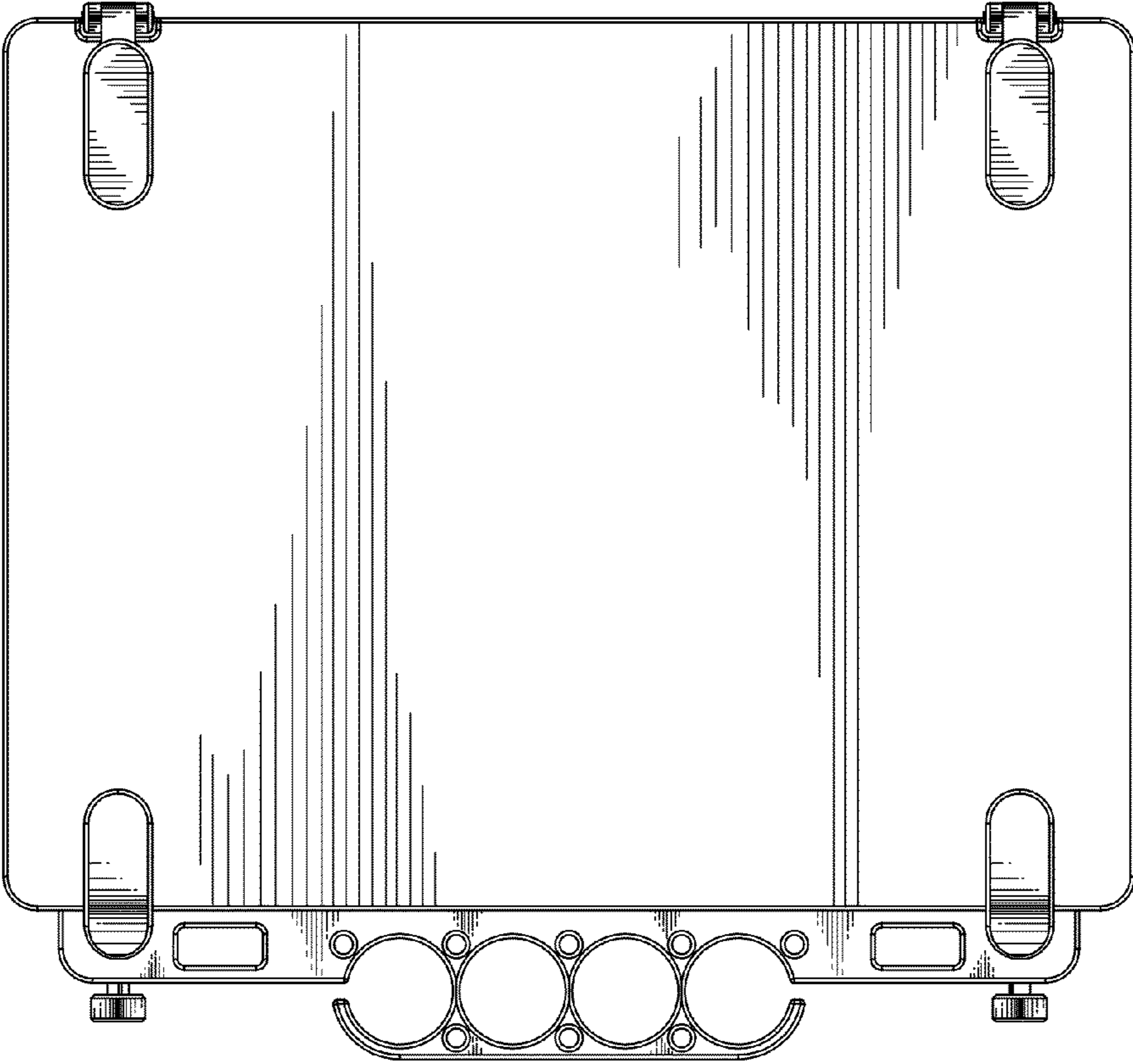


Fig. 2

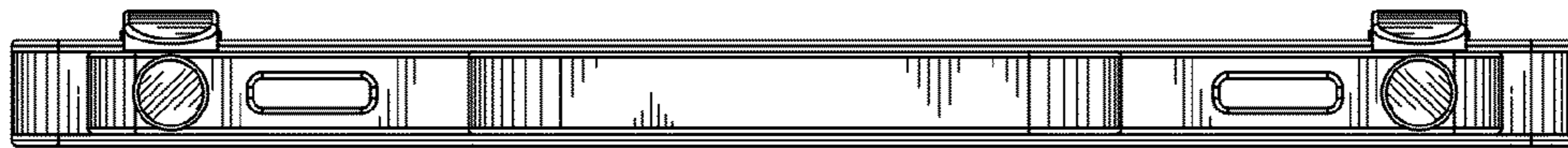


Fig. 3

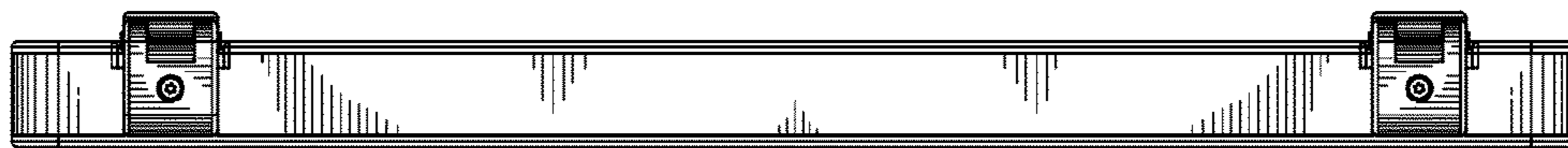


Fig. 4



Fig. 5

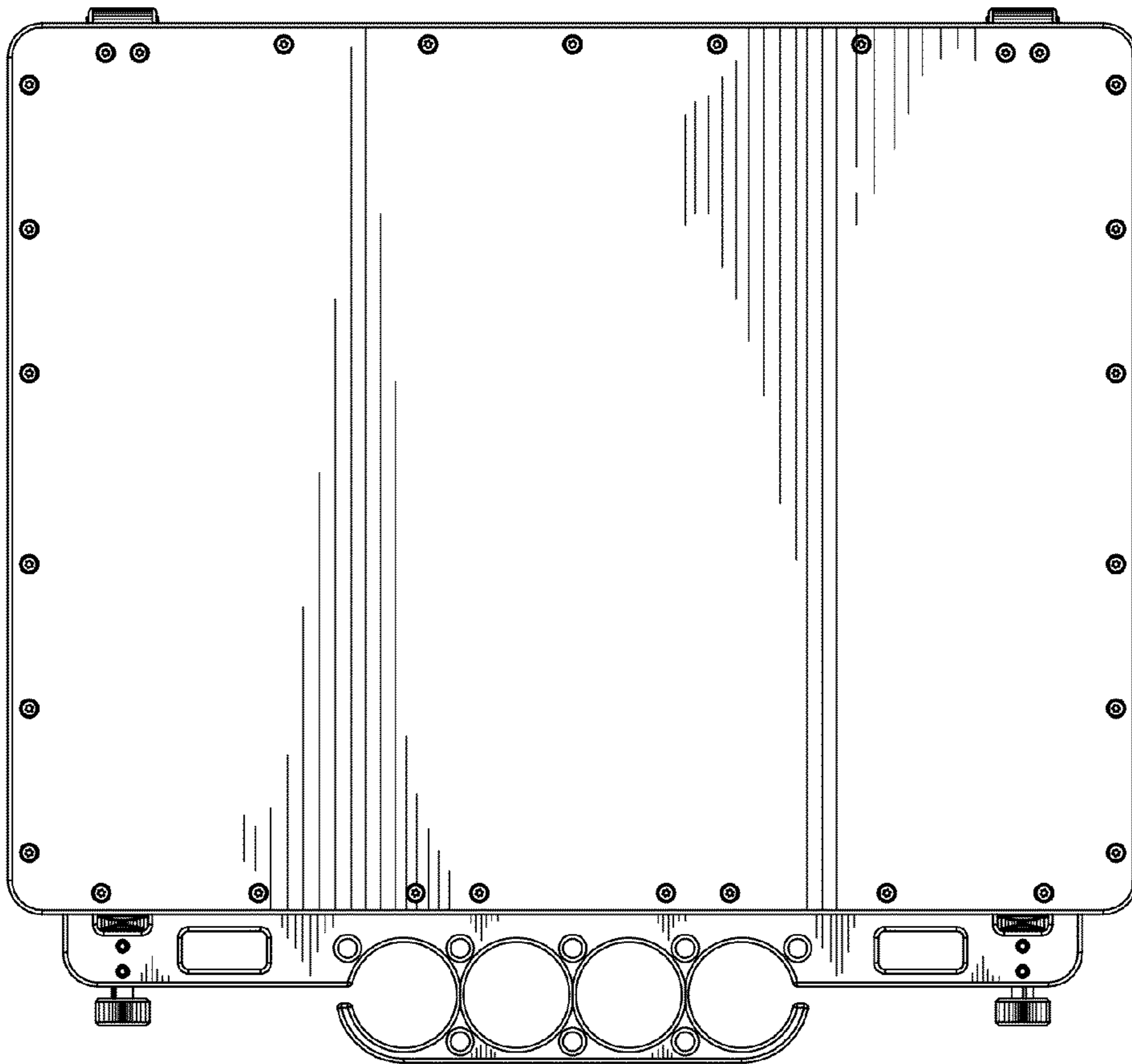


Fig. 6

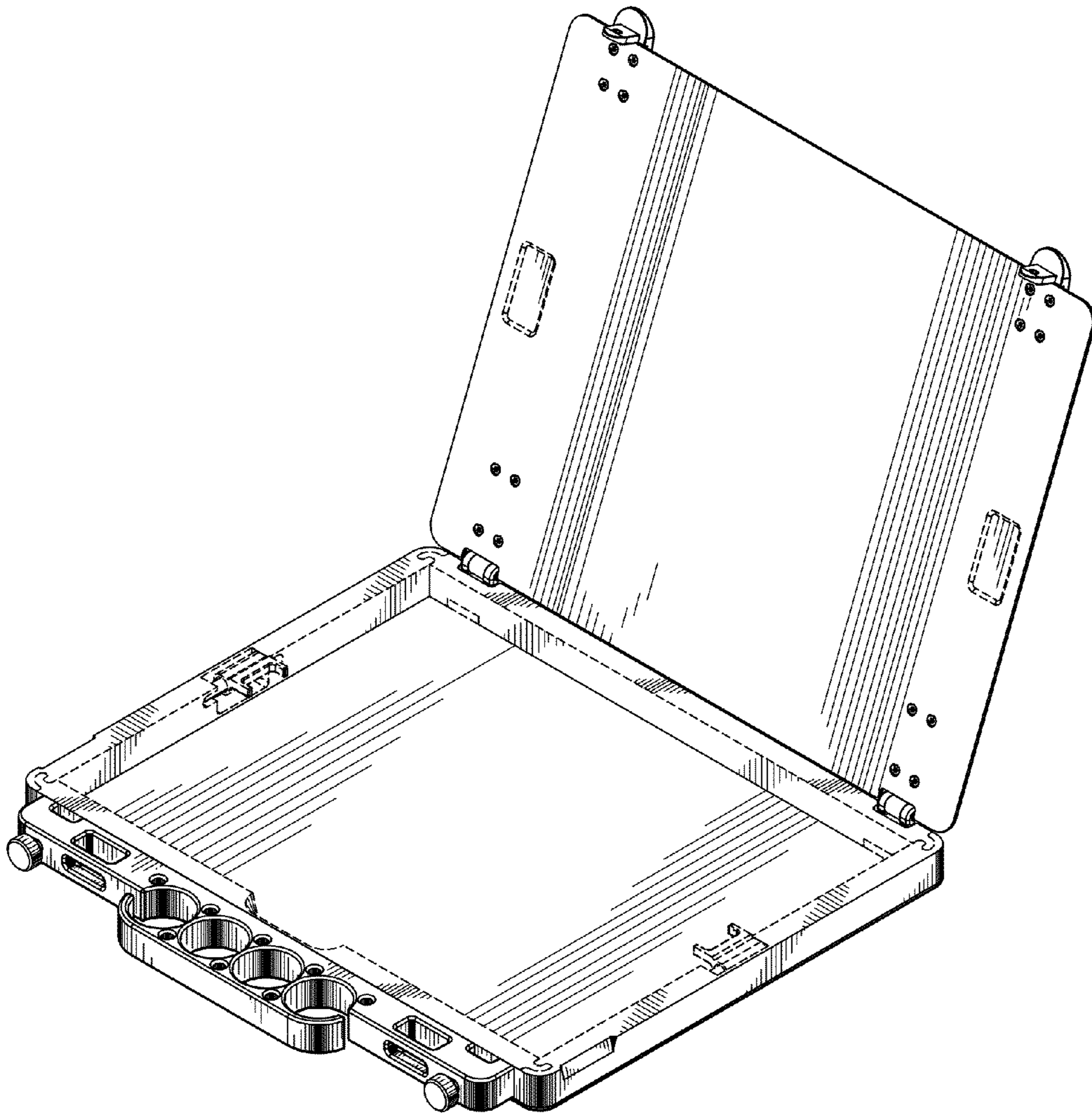


Fig. 7