



US00D739140S

(12) **United States Design Patent**
Knight et al.

(10) **Patent No.:** **US D739,140 S**

(45) **Date of Patent:** **** Sep. 22, 2015**

(54) **WIG BAG**

D595,051 S * 6/2009 Namey D3/232
D655,911 S * 3/2012 Gerbi D3/232
D656,312 S * 3/2012 Gerbi D3/232

(71) Applicants: **Gina Knight**, Gilbert, AZ (US); **Mario Esquer**, Scottsdale, AZ (US)

* cited by examiner

(72) Inventors: **Gina Knight**, Gilbert, AZ (US); **Mario Esquer**, Scottsdale, AZ (US)

Primary Examiner — Holly Baynham

(74) *Attorney, Agent, or Firm* — Morgan Law Offices, PLC

(**) Term: **14 Years**

(57) **CLAIM**

The ornamental design for the wig bag, as shown and described.

(21) Appl. No.: **29/471,776**

(22) Filed: **Nov. 5, 2013**

DESCRIPTION

(51) **LOC (10) Cl.** **03-01**

(52) **U.S. Cl.**
USPC **D3/232**

(58) **Field of Classification Search**
USPC D3/232, 233, 240–246
CPC A45C 1/024; A45C 3/06
See application file for complete search history.

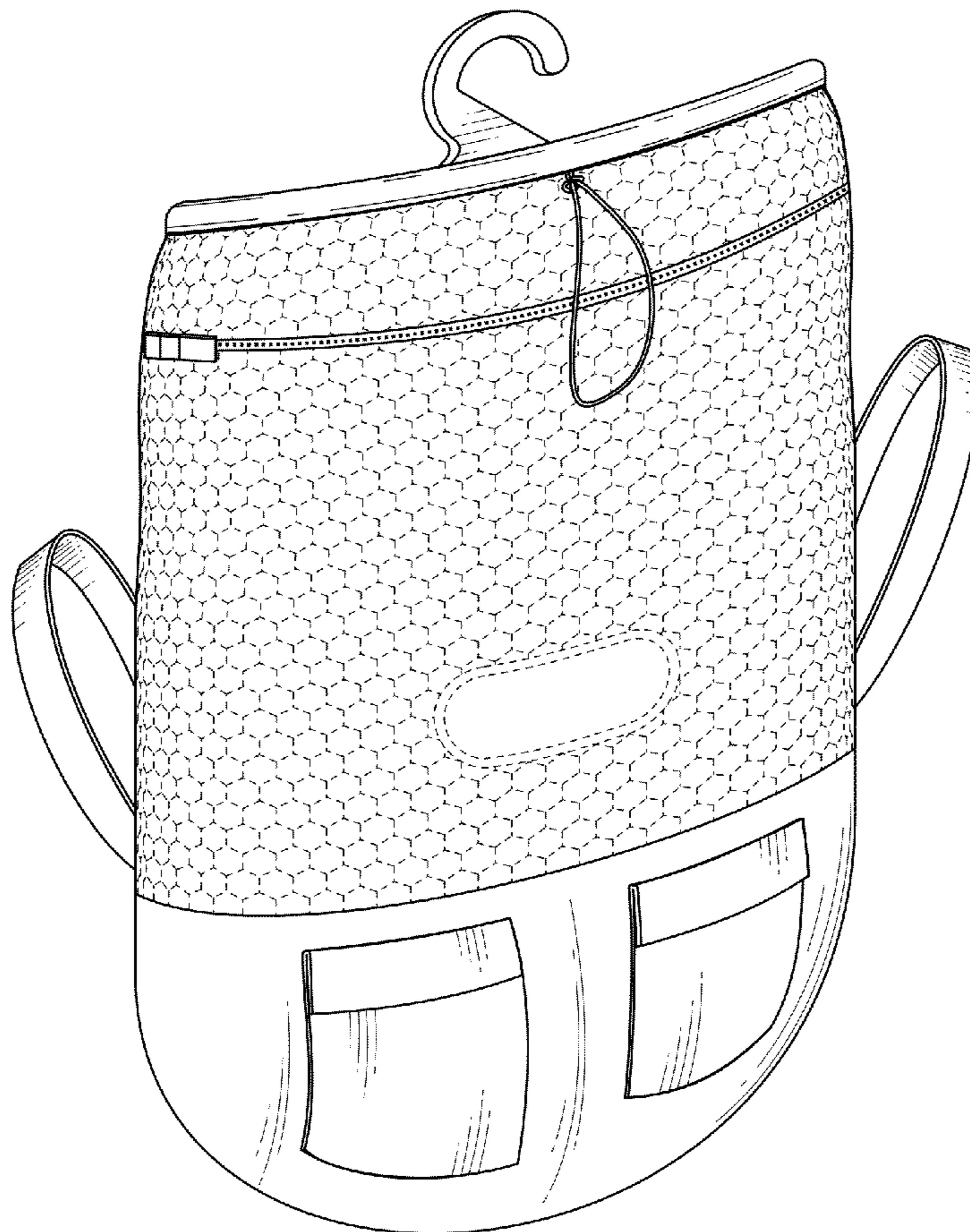
FIG. 1 is a perspective view of a wig bag, showing my new design;
FIG. 2 is a side view thereof;
FIG. 3 is side view opposite that shown in FIG. 2;
FIG. 4 is a side view thereof of the wig bag in use;
FIG. 5 is side view opposite that shown in FIG. 4;
FIG. 6 is a top plan view of the wig bag; and,
FIG. 7 is a bottom plan view opposite that shown in FIG. 6.
The broken lines showing a portion of the bag are for the purposes of illustrating environment and form no part of the claimed design.

(56) **References Cited**

U.S. PATENT DOCUMENTS

D583,148 S * 12/2008 Stulman D3/232
D583,552 S * 12/2008 Stulman D3/232
D583,554 S * 12/2008 Stulman D3/232

1 Claim, 6 Drawing Sheets



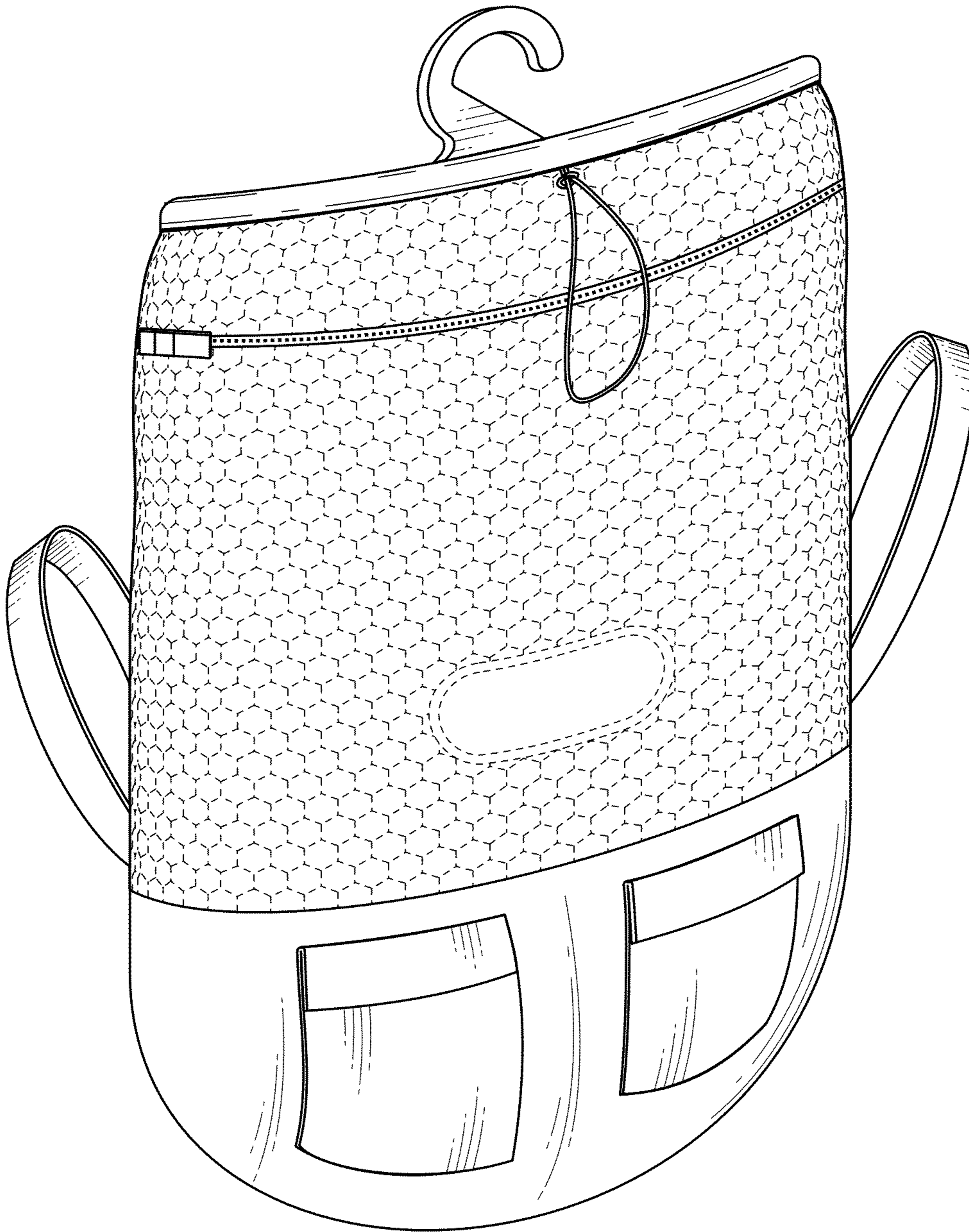


FIG. 1

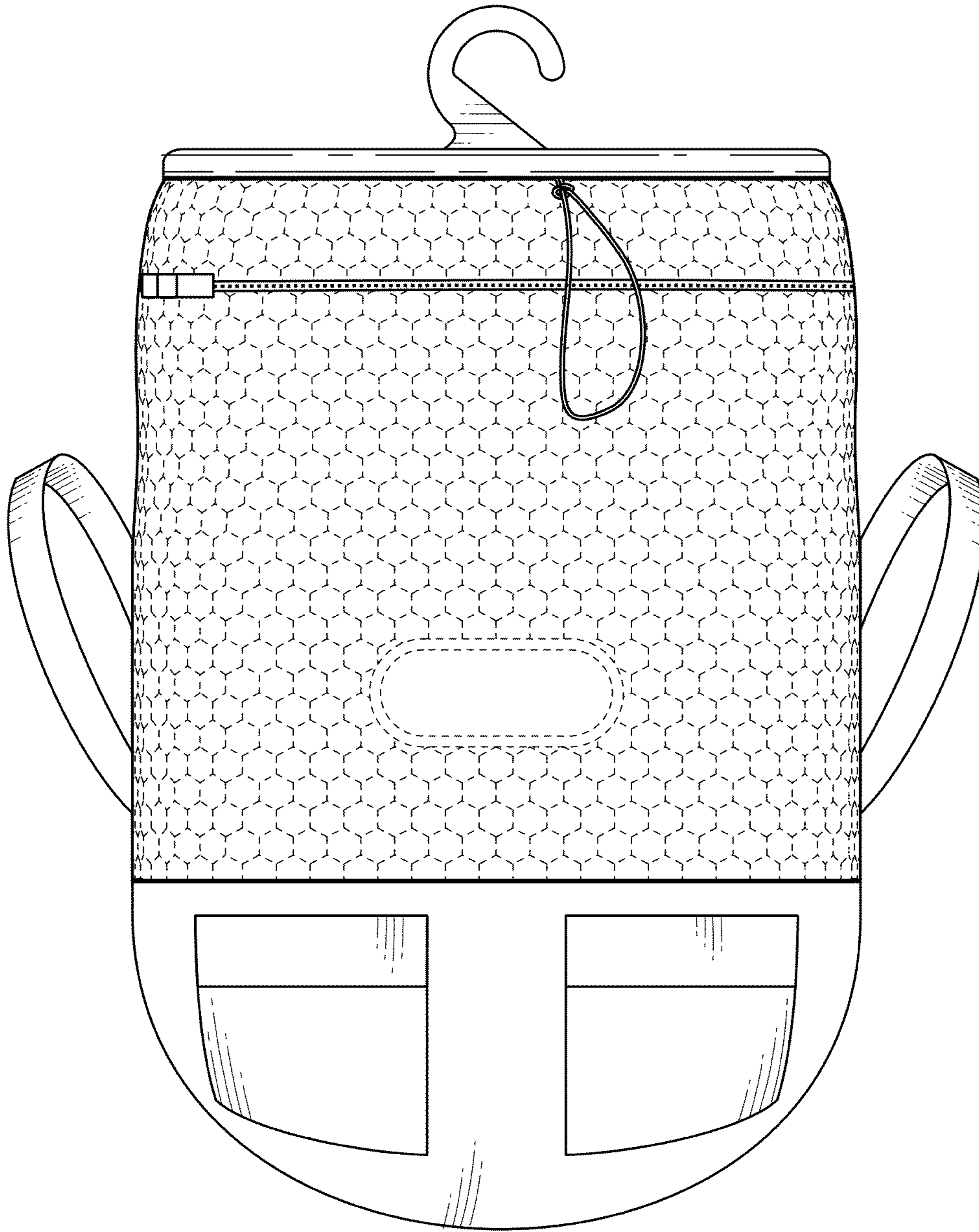


FIG. 2

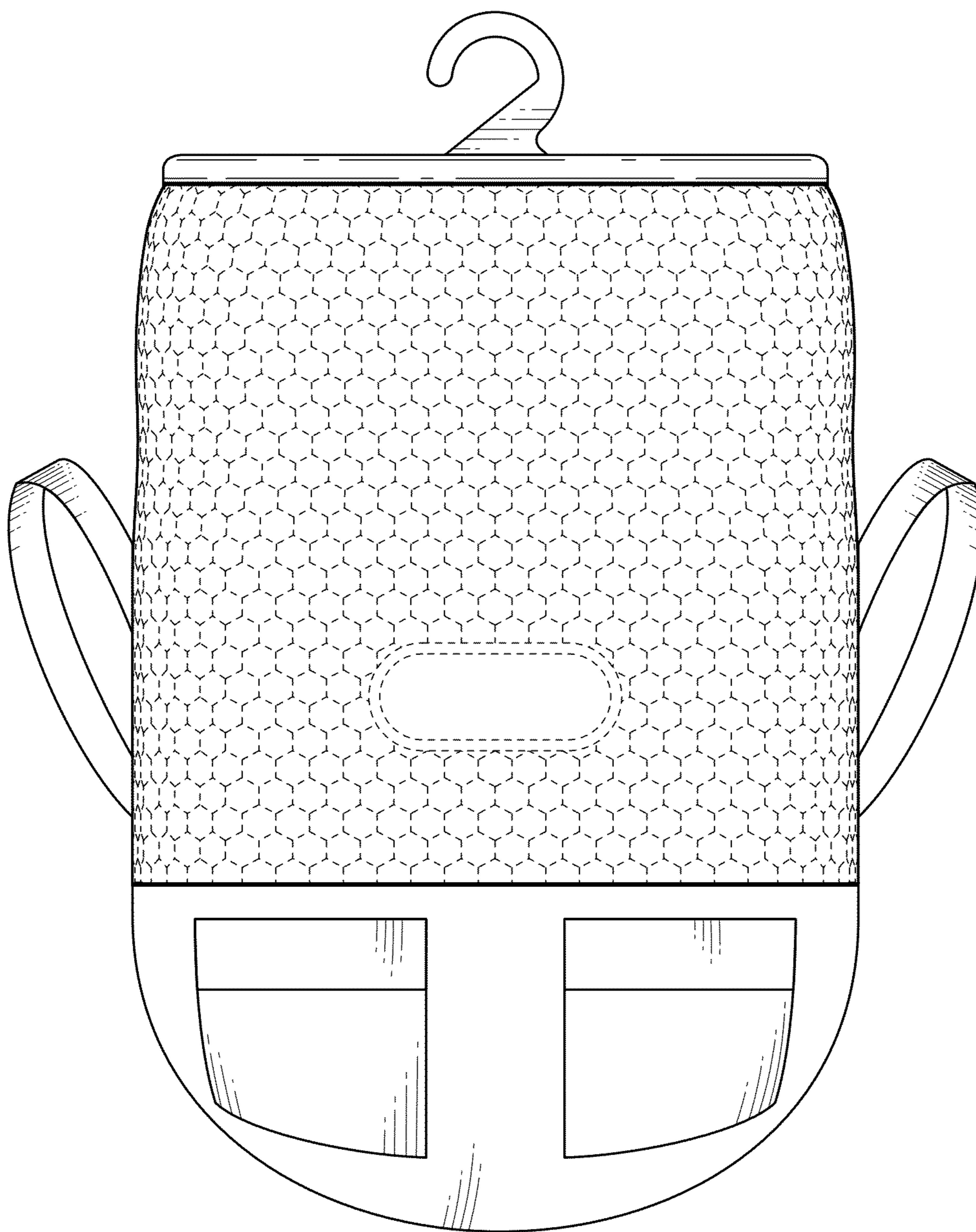


FIG. 3

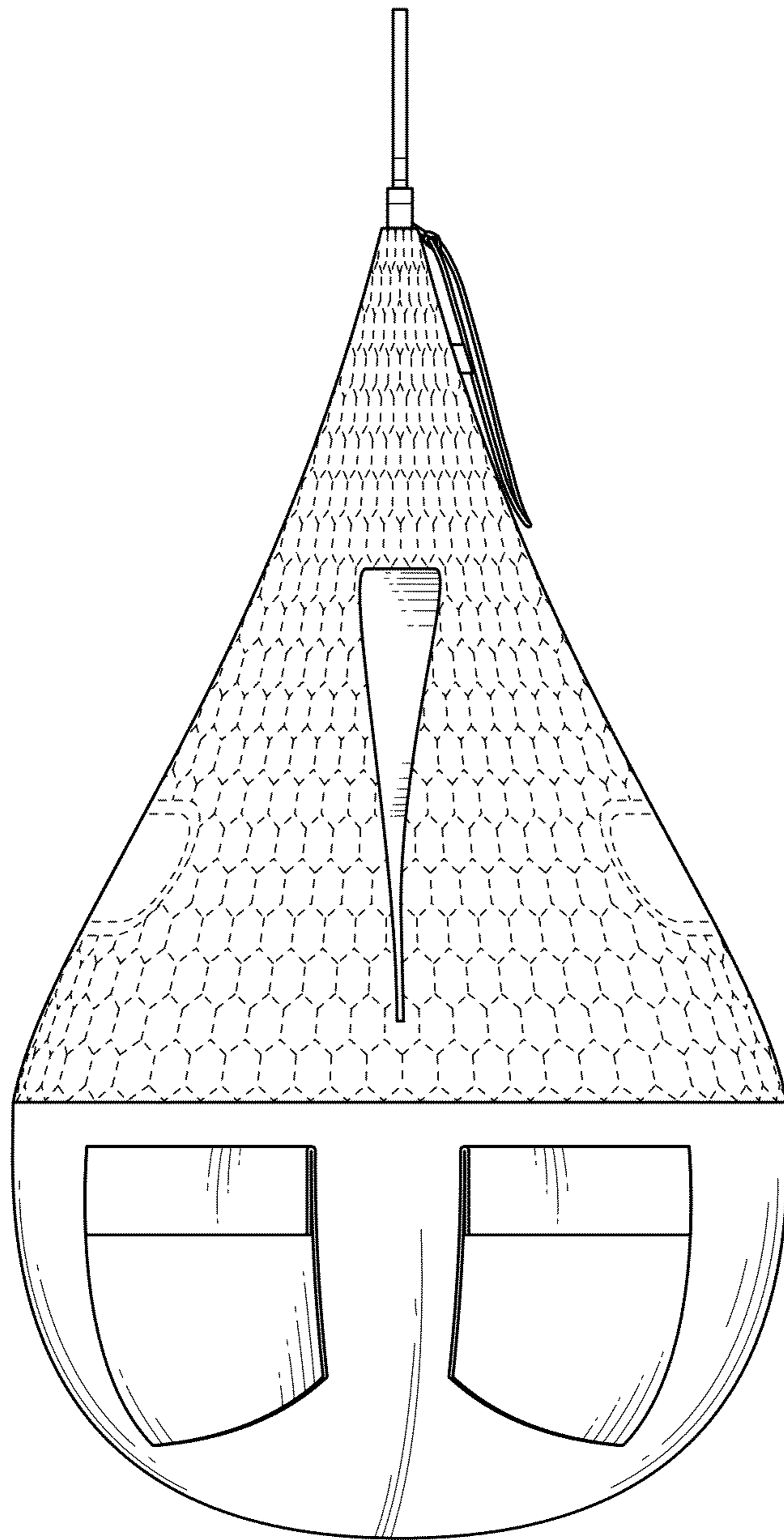


FIG. 4

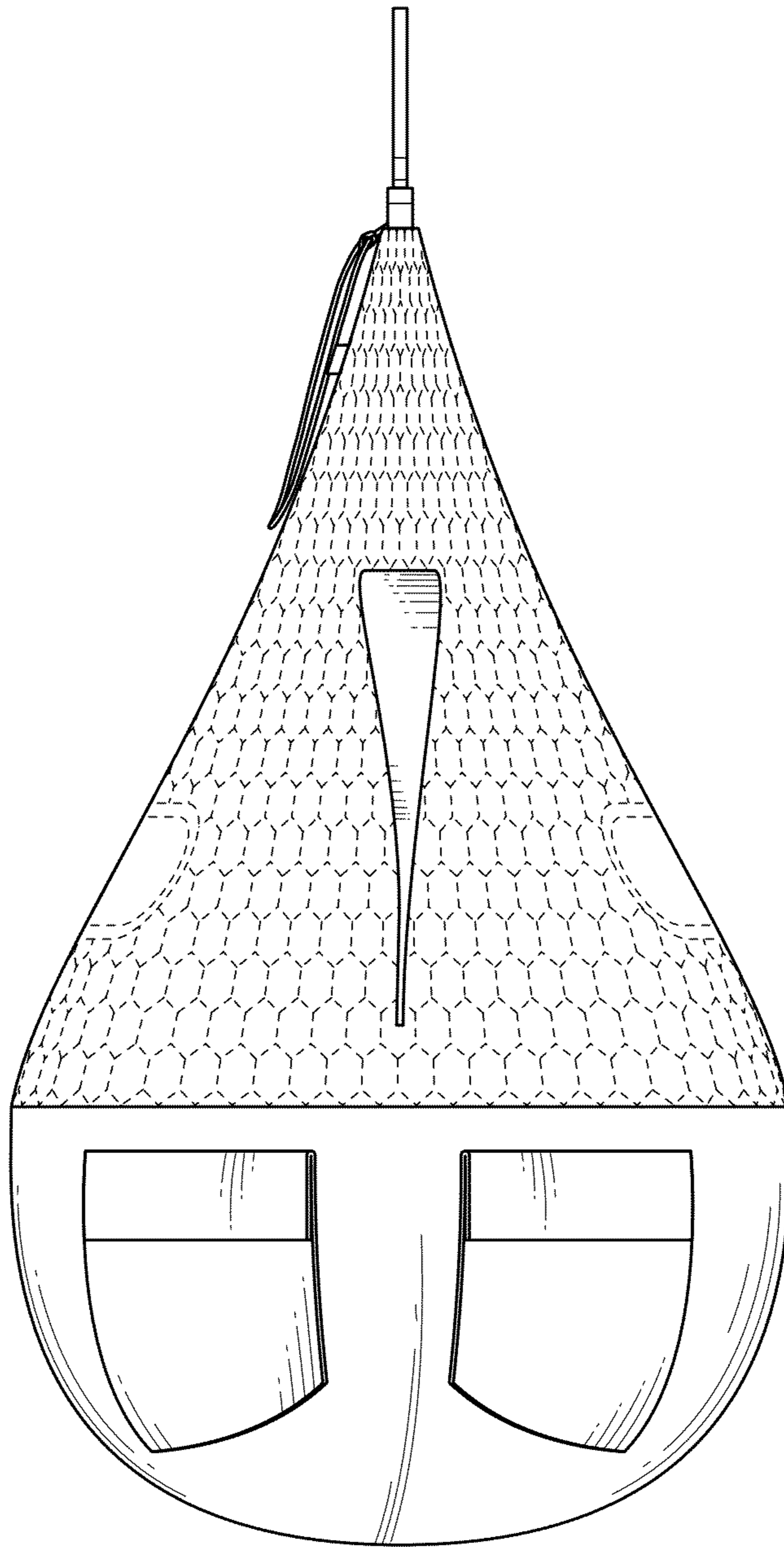


FIG. 5

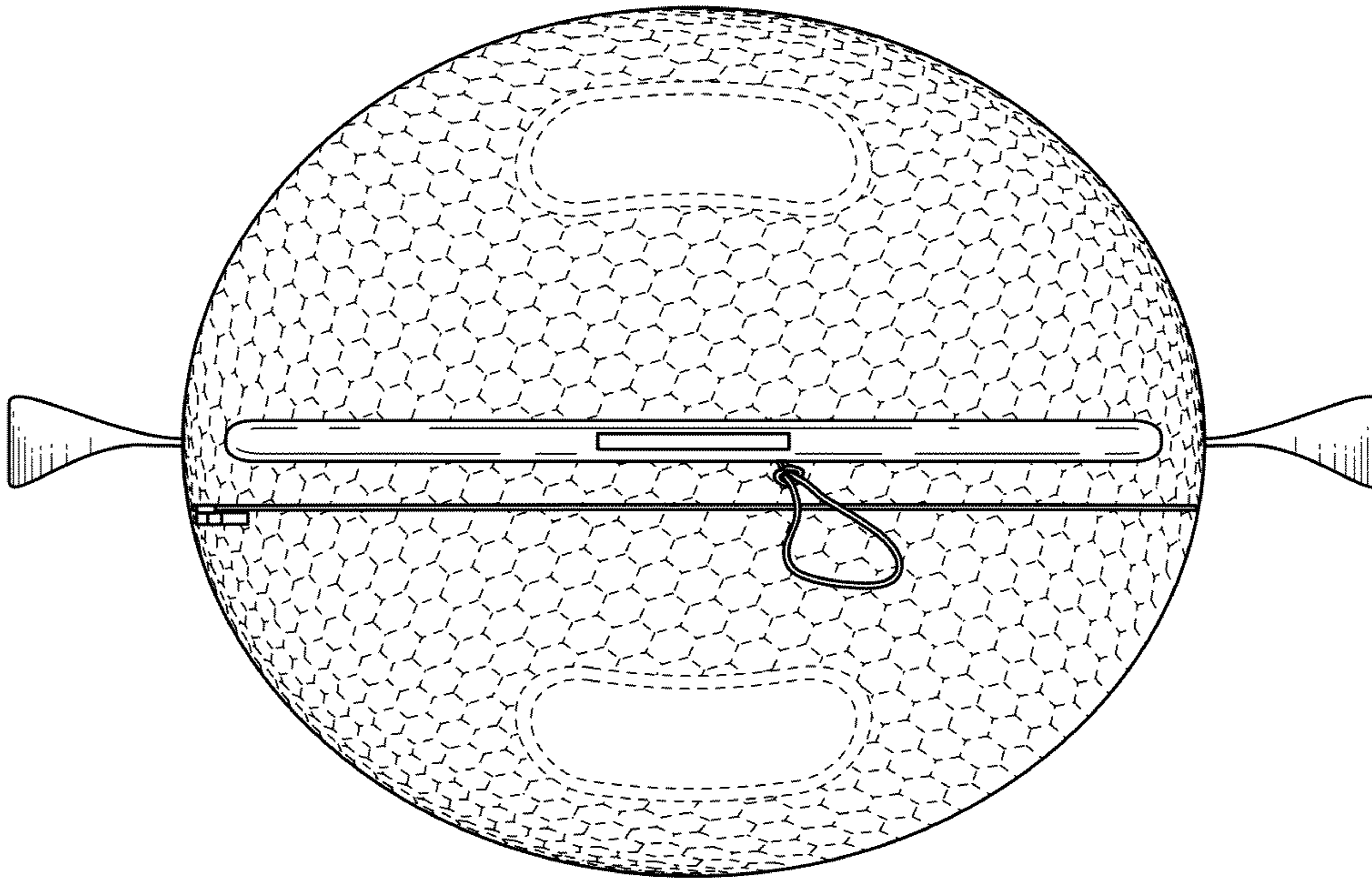


FIG. 6

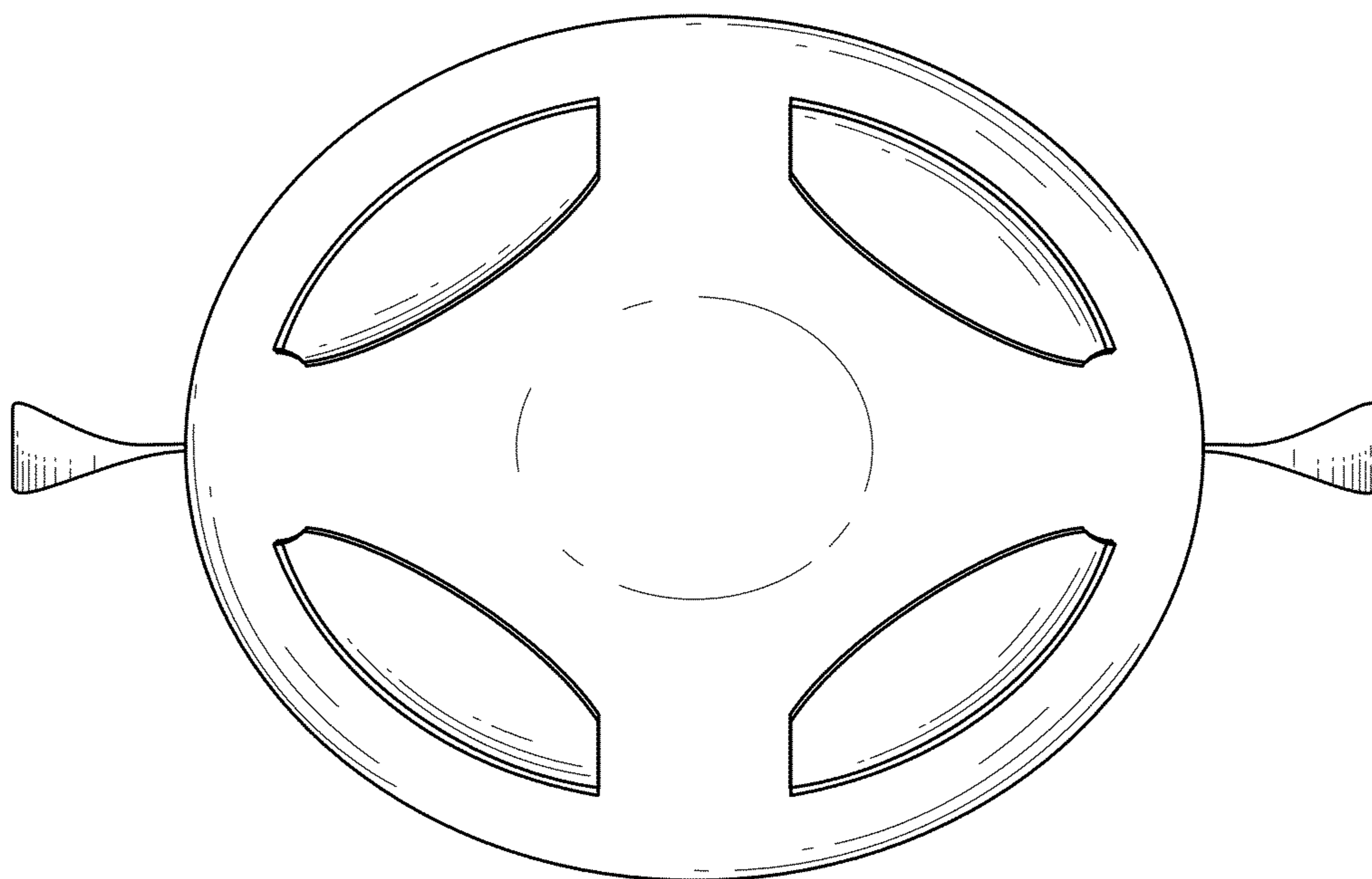


FIG. 7