



US00D739124S

(12) **United States Design Patent**
Svendsen et al.

(10) **Patent No.:** US D739,124 S

(45) **Date of Patent:** ** Sep. 22, 2015

(54) **HEEL PORTION OF A SKI BINDING**

(56) **References Cited**

(71) Applicant: **Rottefella AS**, Klokkarstua (NO)

U.S. PATENT DOCUMENTS

(72) Inventors: **Øyvar Svendsen**, Oslo (NO); **Even Wøllo**, Nærnes (NO)

D170,194	S	*	8/1953	Green	D12/345
5,257,953	A	*	11/1993	Gillis	441/74
5,941,540	A	*	8/1999	O'Haire	280/18
D590,470	S	*	4/2009	Mun et al.	D21/769
D647,156	S	*	10/2011	Svendsen et al.	D21/773
D650,030	S	*	12/2011	Svendsen et al.	D21/773
D650,461	S	*	12/2011	Svendsen et al.	D21/773
2004/0152377	A1	*	8/2004	Katz et al.	441/74

(73) Assignee: **ROTTEFELLA AS** (NO)

(**) Term: **14 Years**

* cited by examiner

(21) Appl. No.: **29/462,152**

Primary Examiner — Derrick Holland

(22) Filed: **Jul. 31, 2013**

Assistant Examiner — Janice Lim

(30) **Foreign Application Priority Data**

(74) *Attorney, Agent, or Firm* — Kolisch Hartwell, P.C.

Feb. 1, 2013 (NO) 20130123

(51) **LOC (10) CL.** **02-04**

(52) **U.S. CL.**
USPC **D2/904**

(58) **Field of Classification Search**
USPC D2/902, 904, 911; D12/6; D21/760,
D21/761, 766, 773, 801, 803; 36/84,
36/117.1–117.4, 118.2, 118.7, 118.9,
36/119.1, 122; 280/11.3, 11.31, 601–606,
280/609, 610; 441/65, 66, 68, 69, 72–75,
441/79
CPC A43B 5/04; A43B 5/048; A43B 5/0433;
A43B 5/0472; A43B 5/0474; A43B 5/0492;
A43B 58/0458

See application file for complete search history.

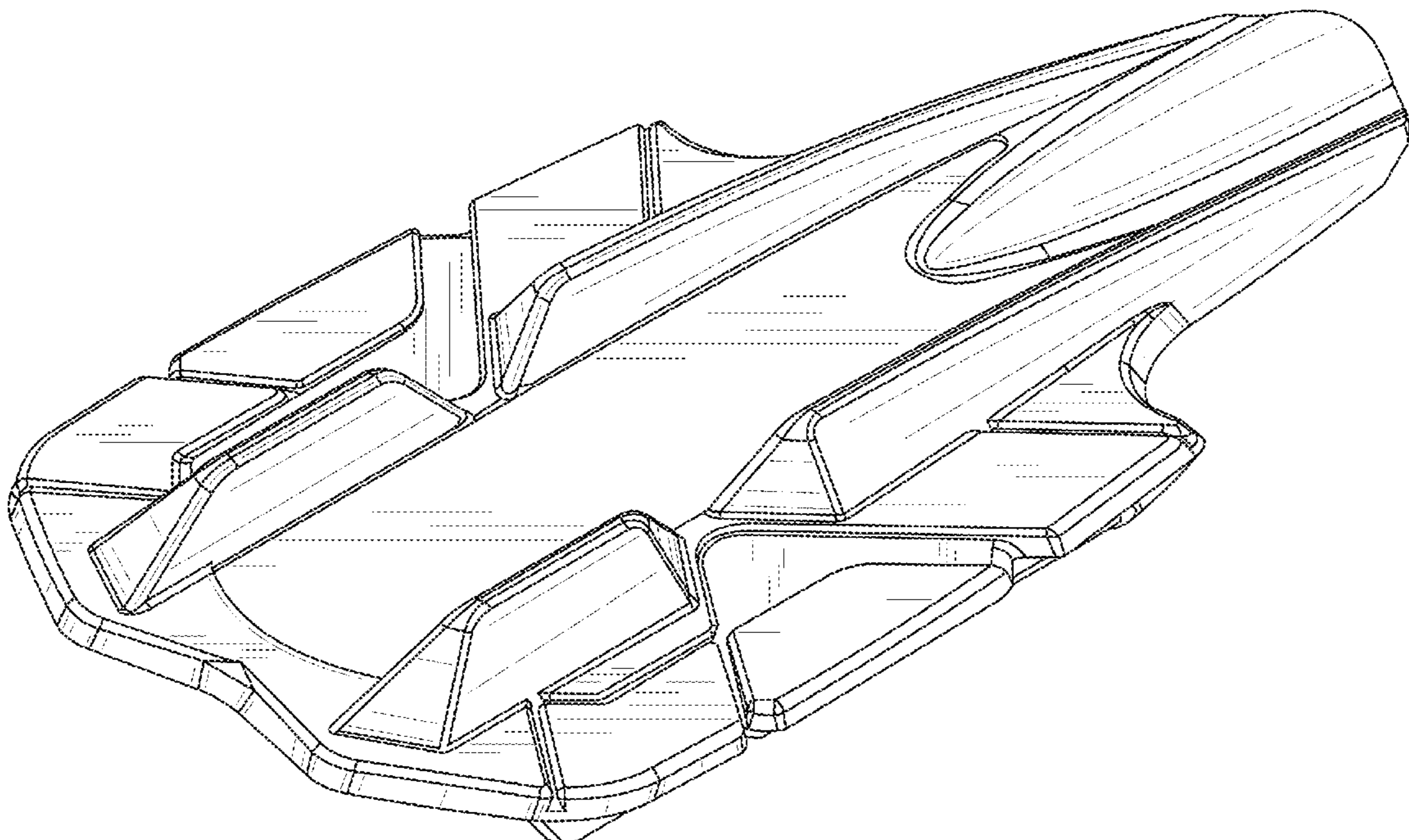
(57) **CLAIM**

The ornamental design for a heel portion of a ski binding, as shown and described.

DESCRIPTION

FIG. 1 is a top, front, and left-side perspective view of a heel portion of a ski binding, showing our new design.
FIG. 2 is a top plan view thereof.
FIG. 3 is a bottom plan view thereof.
FIG. 4 is a front elevation view thereof.
FIG. 5 is a left-side elevation view thereof, and the right side elevation view being a mirror image thereof; and,
FIG. 6 is a rear elevation view thereof.
The broken line portions of FIG. 3 are included to show unclaimed subject matter only and form no part of the claimed design

1 Claim, 6 Drawing Sheets



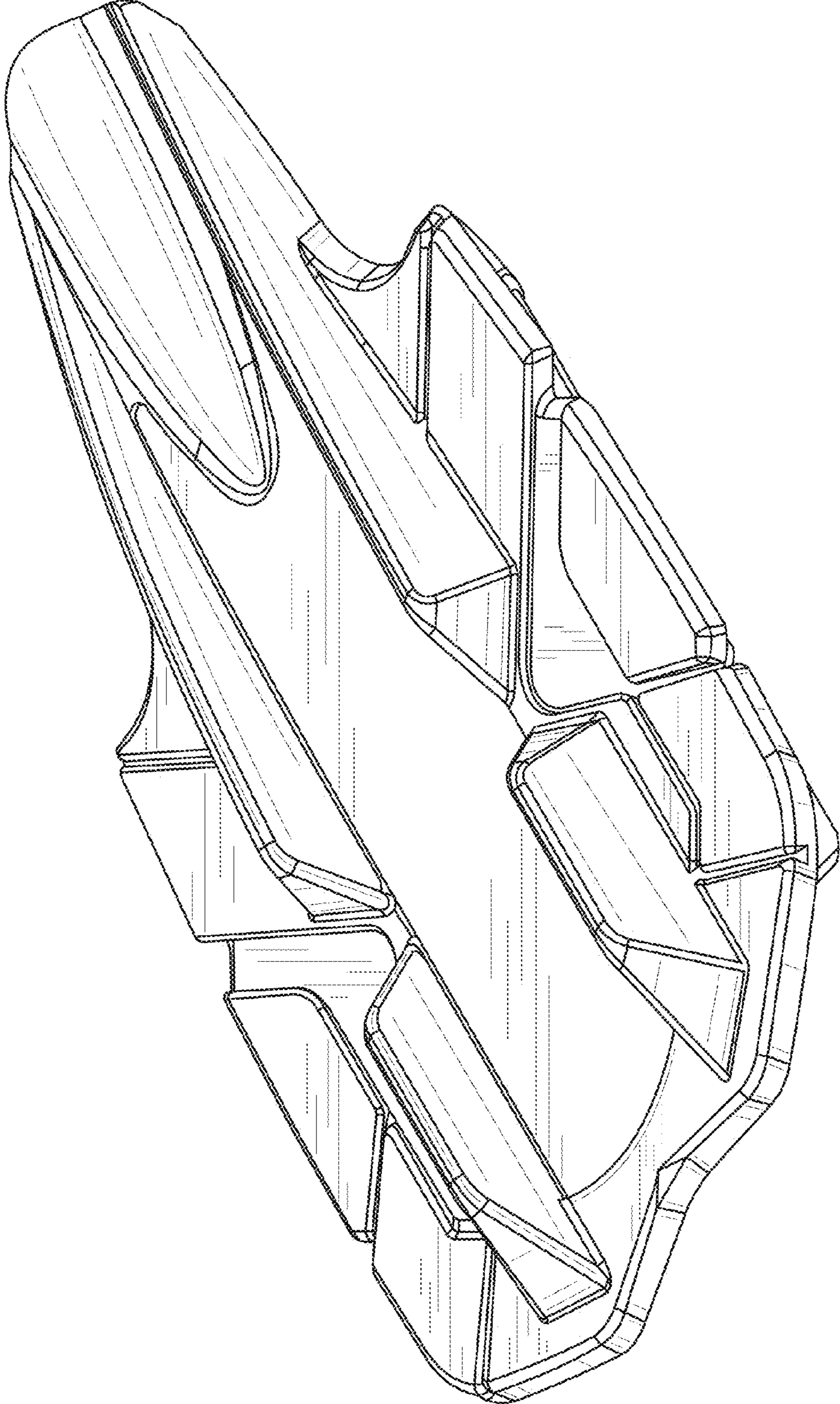


FIG. 1

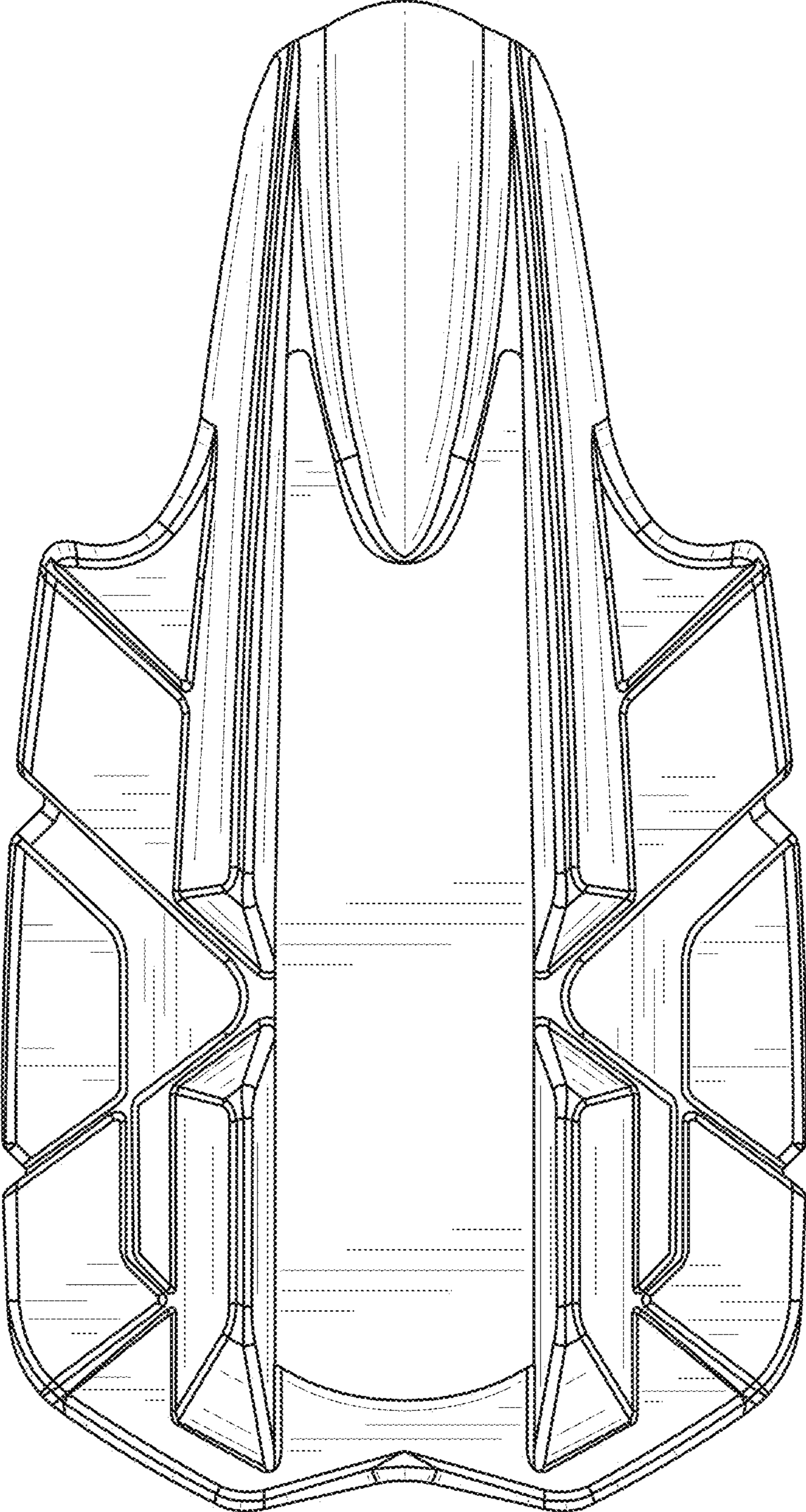


FIG. 2

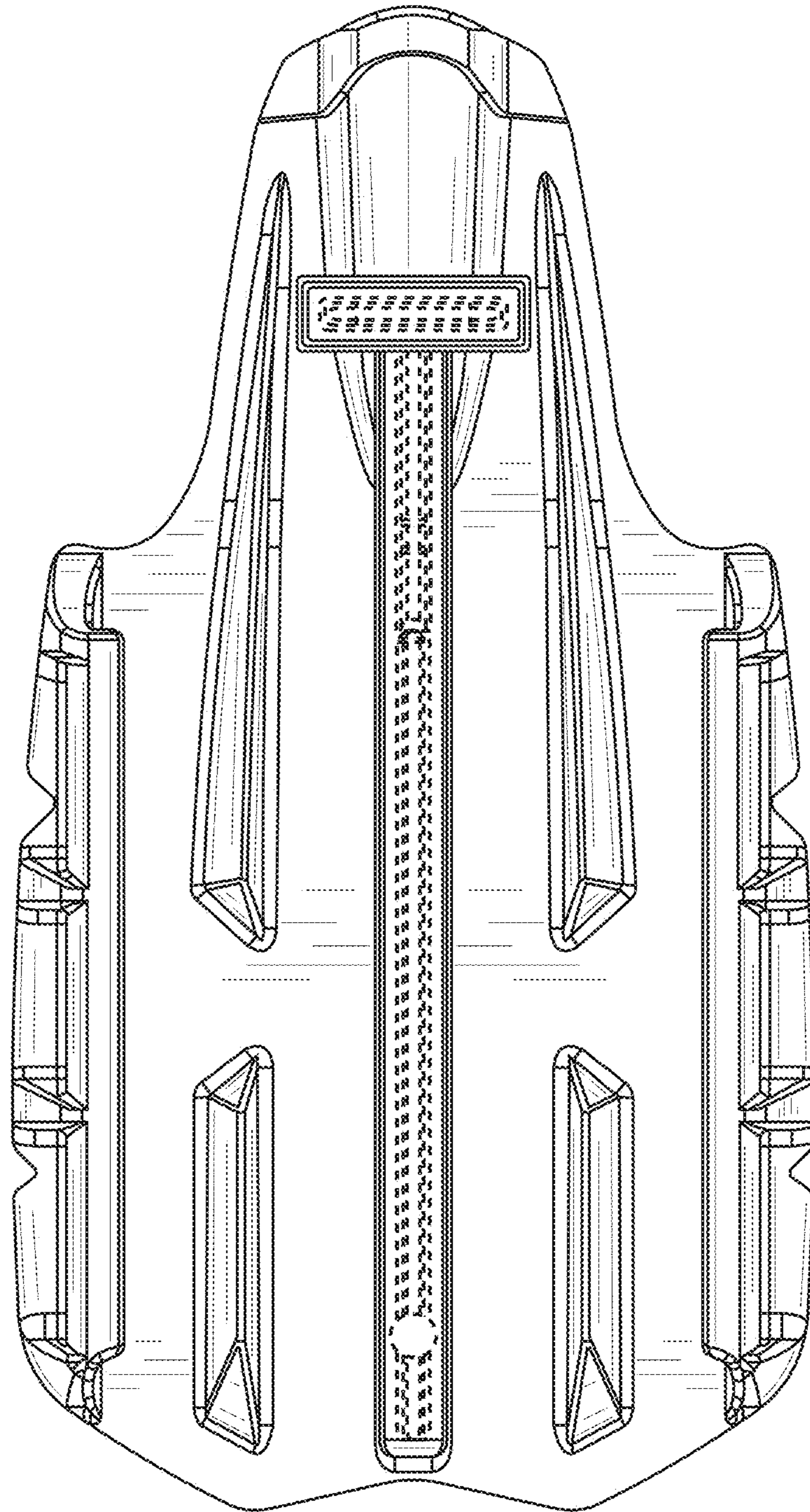


FIG. 3

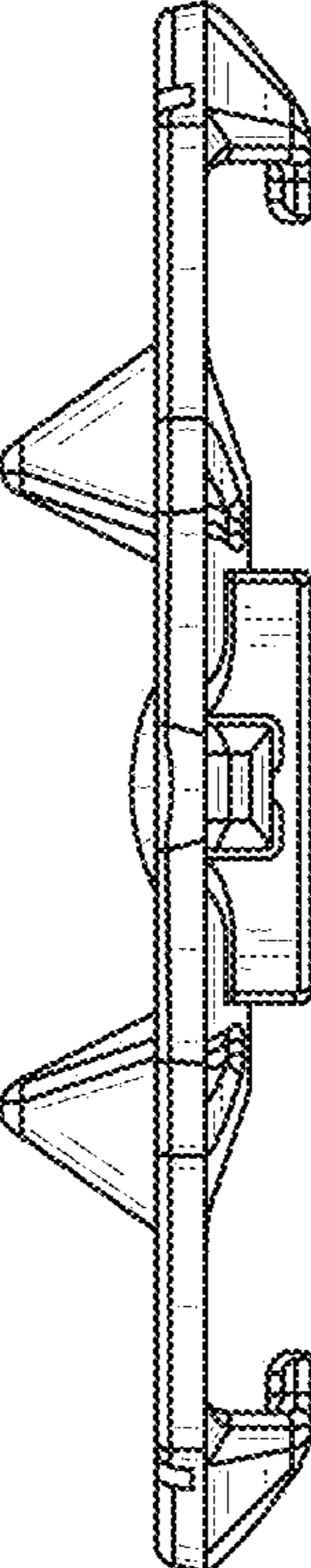


FIG. 4

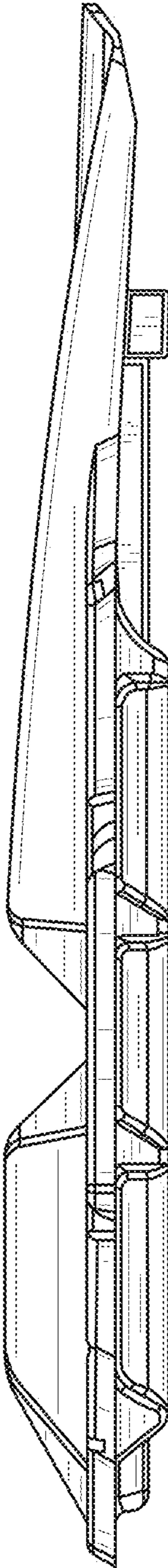


FIG. 5

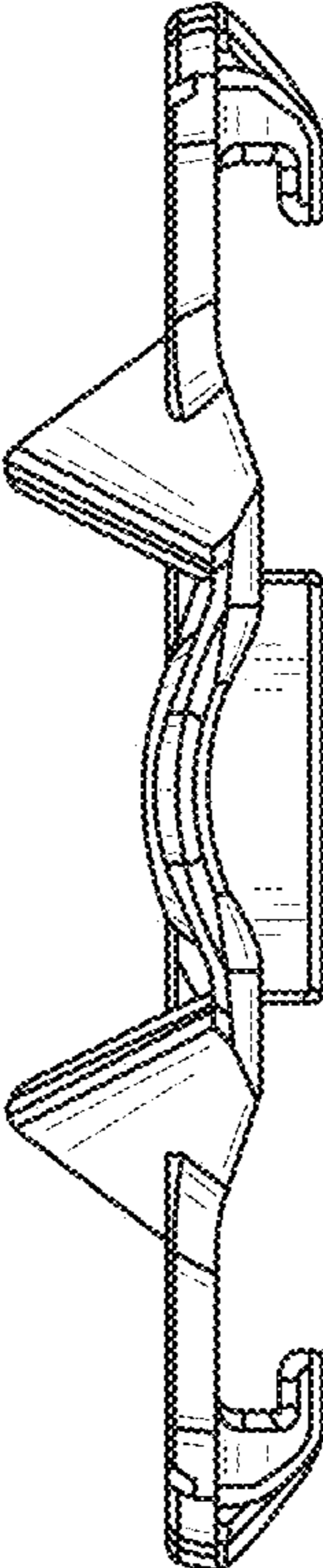


FIG. 6