

US00D739123S

(12) **United States Design Patent**
House

(10) **Patent No.:** **US D739,123 S**

(45) **Date of Patent:** **** Sep. 22, 2015**

(54) **FOOTWEAR**

(71) Applicant: **Hallie House**, Phoenix, AZ (US)

(72) Inventor: **Hallie House**, Phoenix, AZ (US)

(73) Assignee: **Toebloms, LLC**, Phoenix, AZ (US)

(**) Term: **14 Years**

(21) Appl. No.: **29/509,039**

(22) Filed: **Nov. 13, 2014**

(51) **LOC (10) Cl.** **02-04**

(52) **U.S. Cl.**
USPC **D2/901; D2/900**

(58) **Field of Classification Search**
USPC D2/896, 900–907, 909, 912, 946,
D2/972–974, 980; 36/83, 88, 91, 113–116,
36/3 A, 7.1 R, 45, 94, 8.3; D24/190, 192
CPC . A43B 5/12; A43B 3/00; A43B 3/102–3/108;
A61F 5/0113
See application file for complete search history.

(56) **References Cited**

U.S. PATENT DOCUMENTS

D58,798 S *	8/1921	Metts	D2/901
D58,800 S *	8/1921	Metts	D2/901
D59,046 S *	9/1921	Arthur	D2/901
1,717,609 A *	6/1929	Schultz	602/66
1,930,188 A *	10/1933	Arthur	602/66
2,237,652 A *	4/1941	Capezio	36/8.3
2,670,474 A *	3/1954	Schultz	2/312
2,708,930 A *	5/1955	Lowman	602/27

D445,191 S *	7/2001	Rodgers	D24/192
D525,417 S *	7/2006	Kelsey	D2/969
D598,559 S *	8/2009	Powaser	D24/192
8,539,647 B2 *	9/2013	Cook et al.	24/304
D703,336 S *	4/2014	Eldridge	D24/192
2006/0156586 A1 *	7/2006	Brunelle-Wright	36/89
2007/0130800 A1 *	6/2007	Twomey	36/50.1
2008/0022555 A1 *	1/2008	Mor et al.	36/62
2013/0310723 A1 *	11/2013	Chiang	602/27

* cited by examiner

Primary Examiner — Ian Simmons

Assistant Examiner — Rashida C McCoy

(74) *Attorney, Agent, or Firm* — Kenneth M. Motolenich-Salas

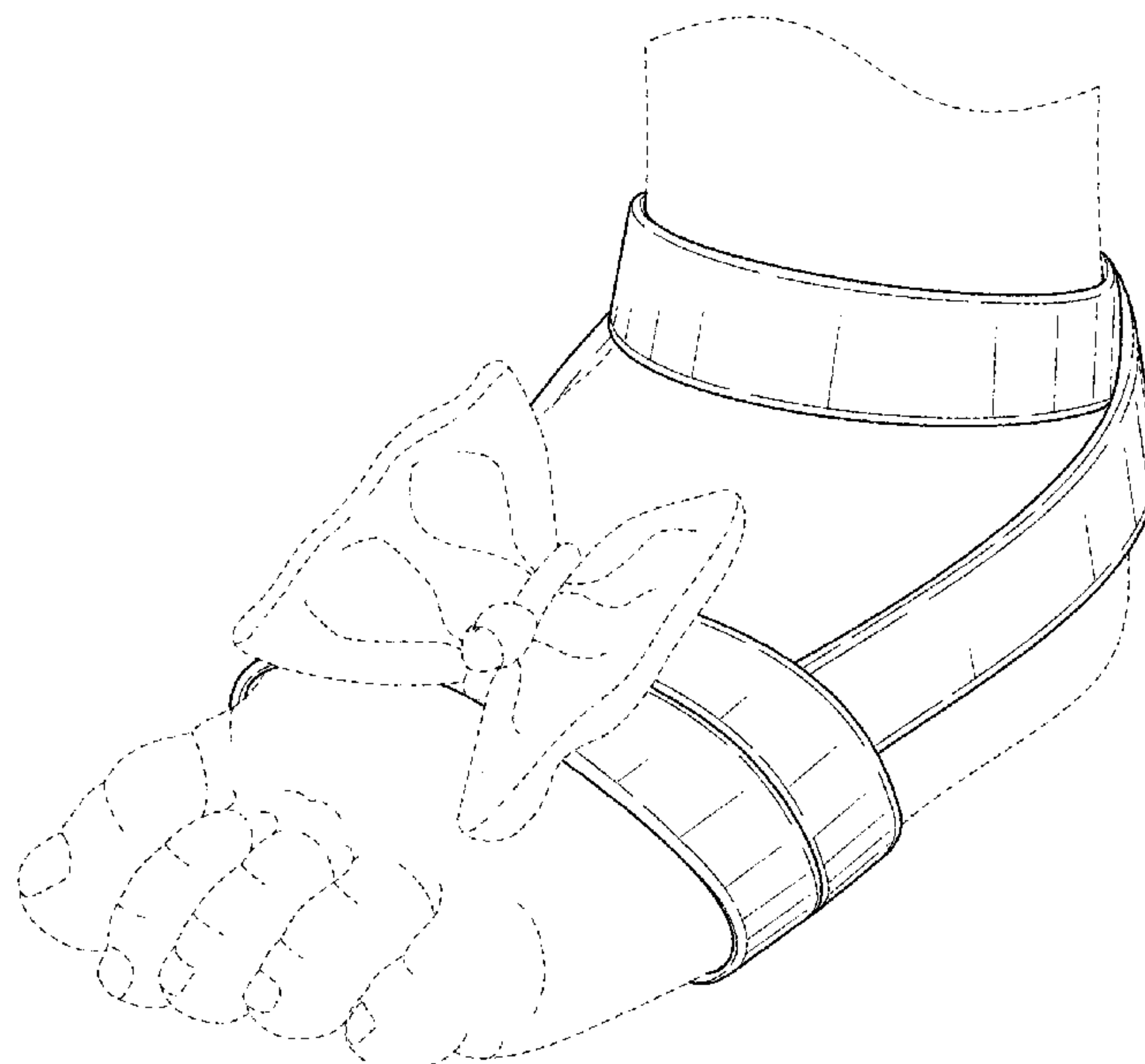
(57) **CLAIM**

The ornamental design for footwear, as shown and described.

DESCRIPTION

FIG. 1 is a perspective view of footwear with a foot inserted therethrough;
FIG. 2 is a perspective view of footwear;
FIG. 3 is a front view thereof;
FIG. 4 is a rear view thereof;
FIG. 5 is a left view thereof;
FIG. 6 is a right view thereof;
FIG. 7 is a top view thereof; and,
FIG. 8 is a bottom view thereof.
The broken lines in the drawings represent unclaimed subject matter.

1 Claim, 6 Drawing Sheets



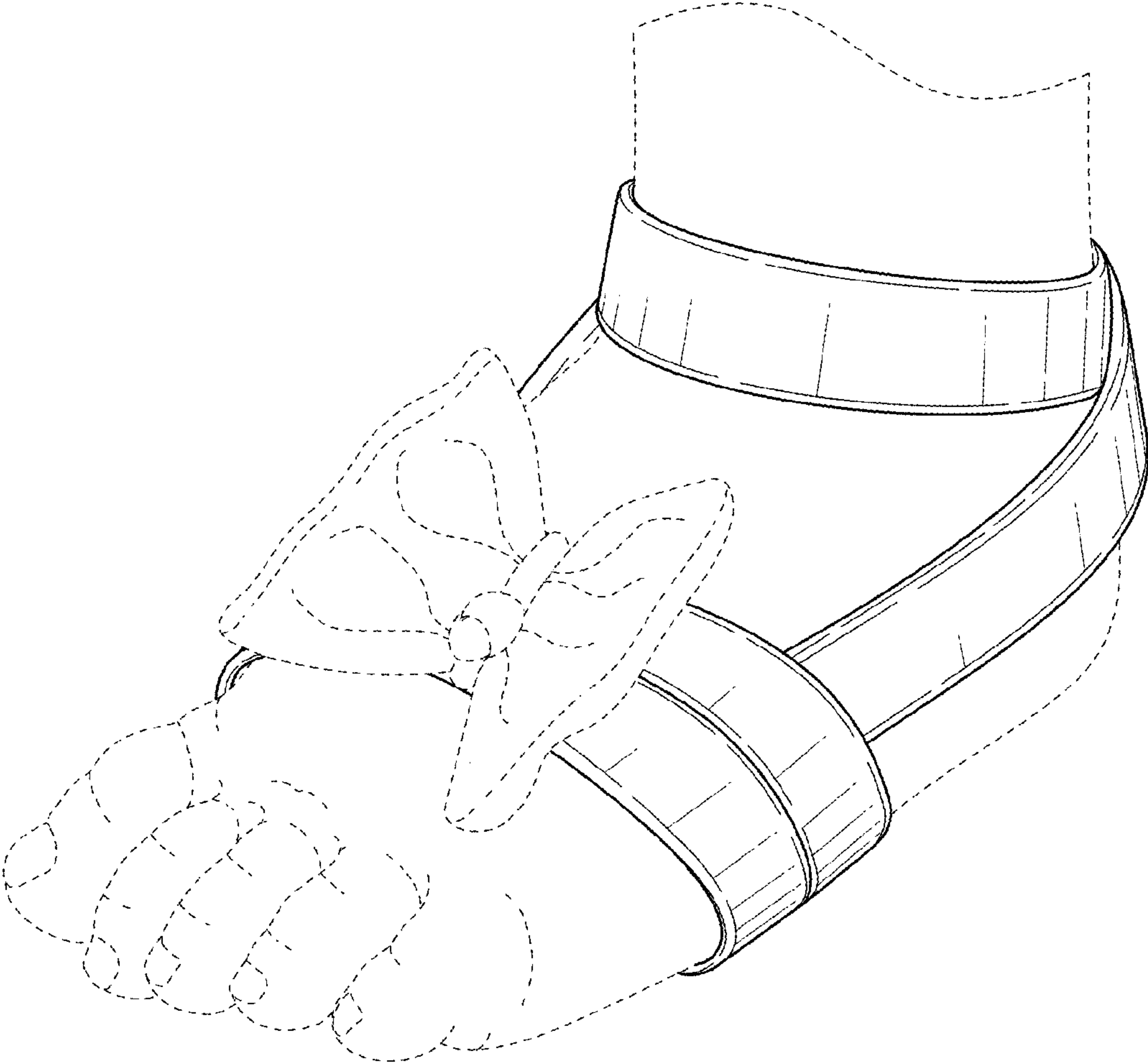


FIG. 1

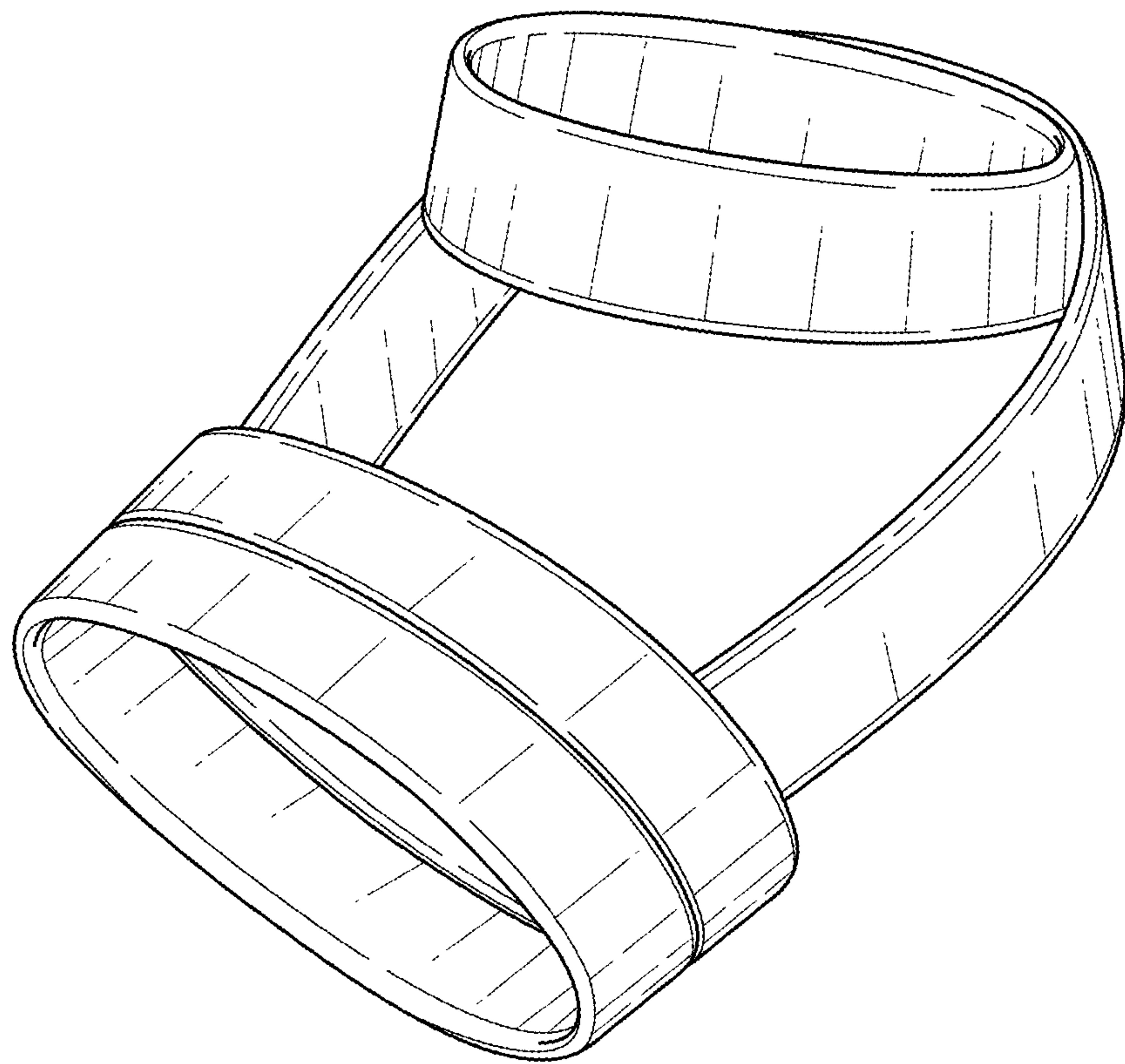


FIG. 2

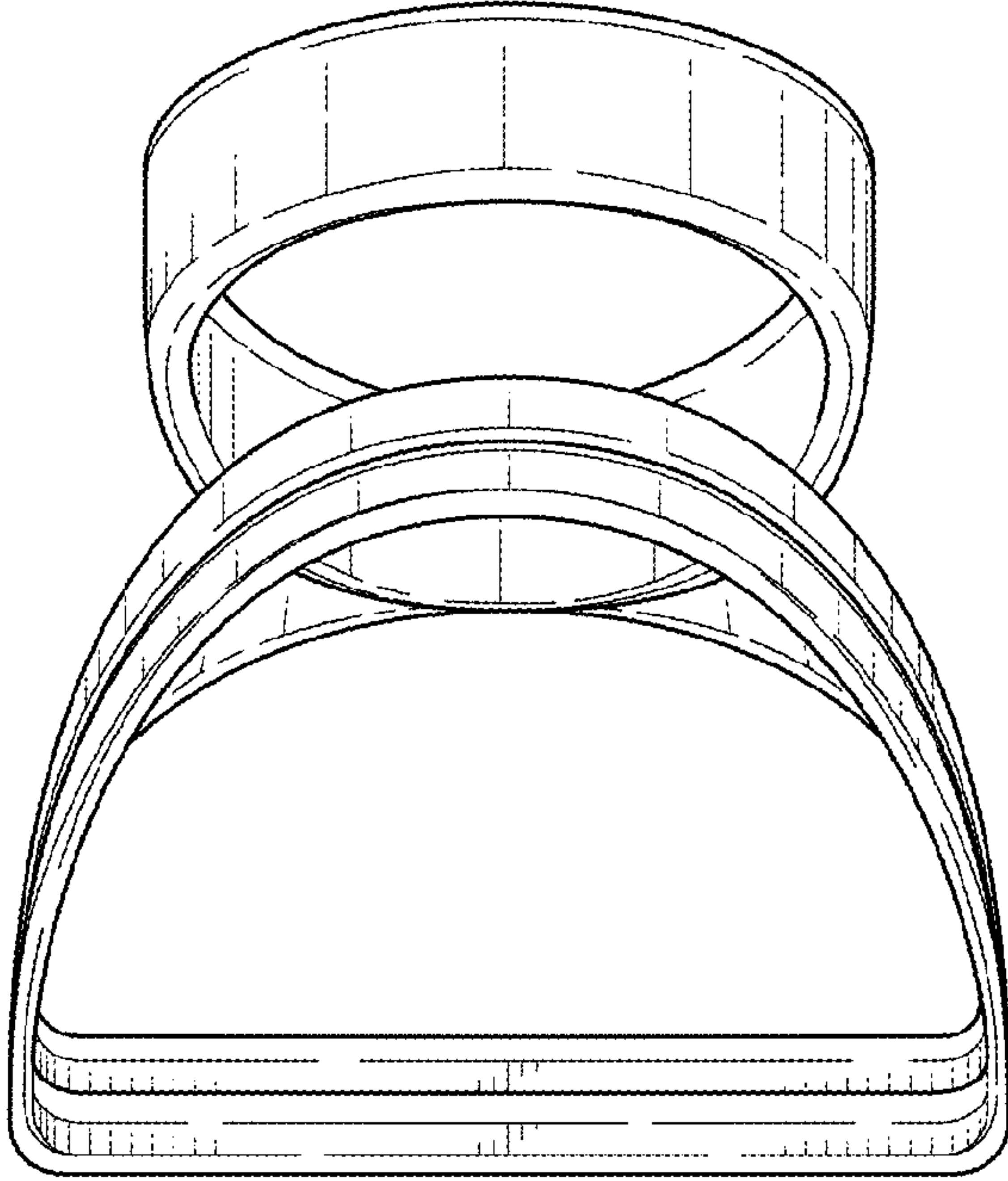


FIG. 3

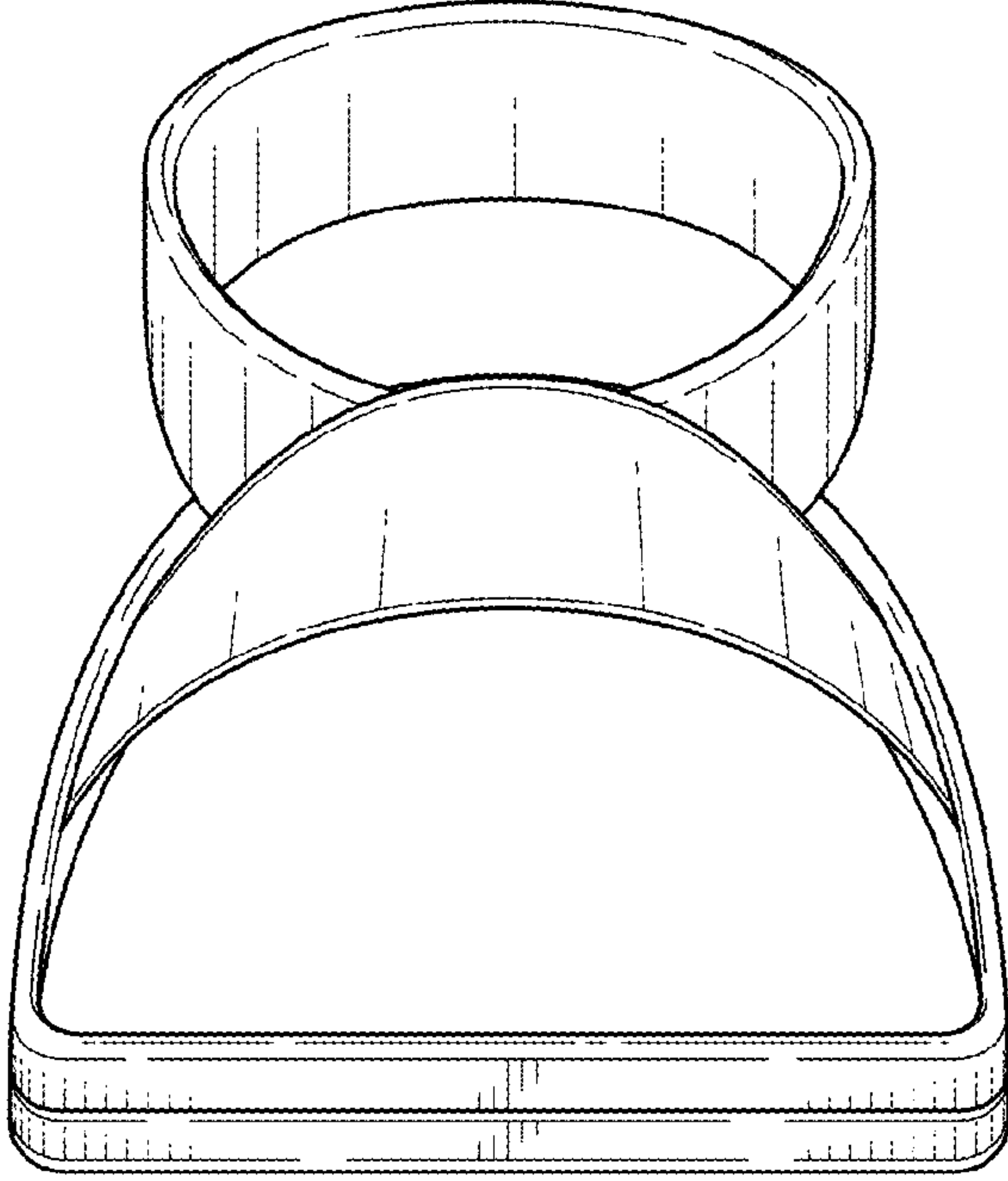


FIG. 4

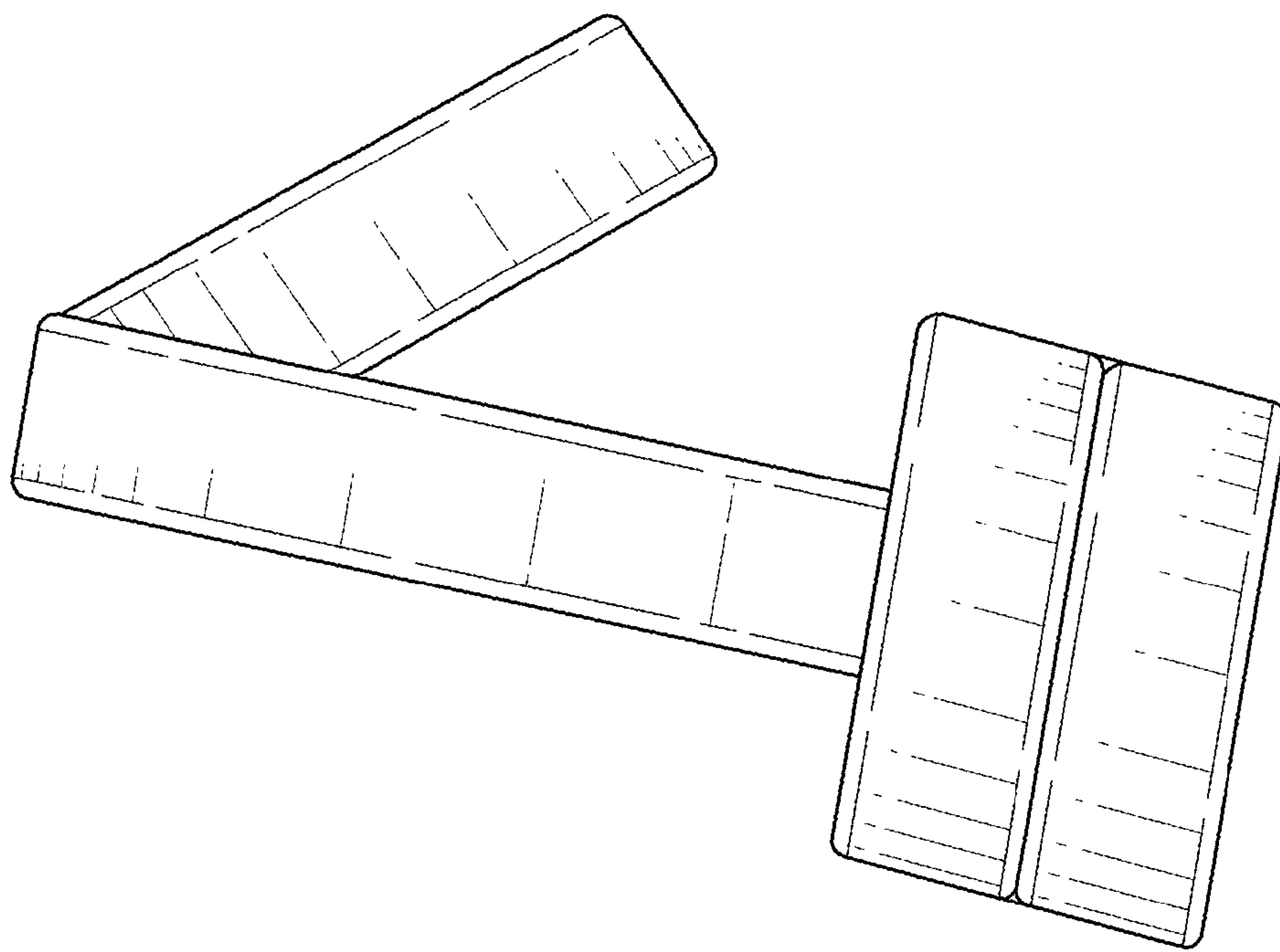


FIG. 5

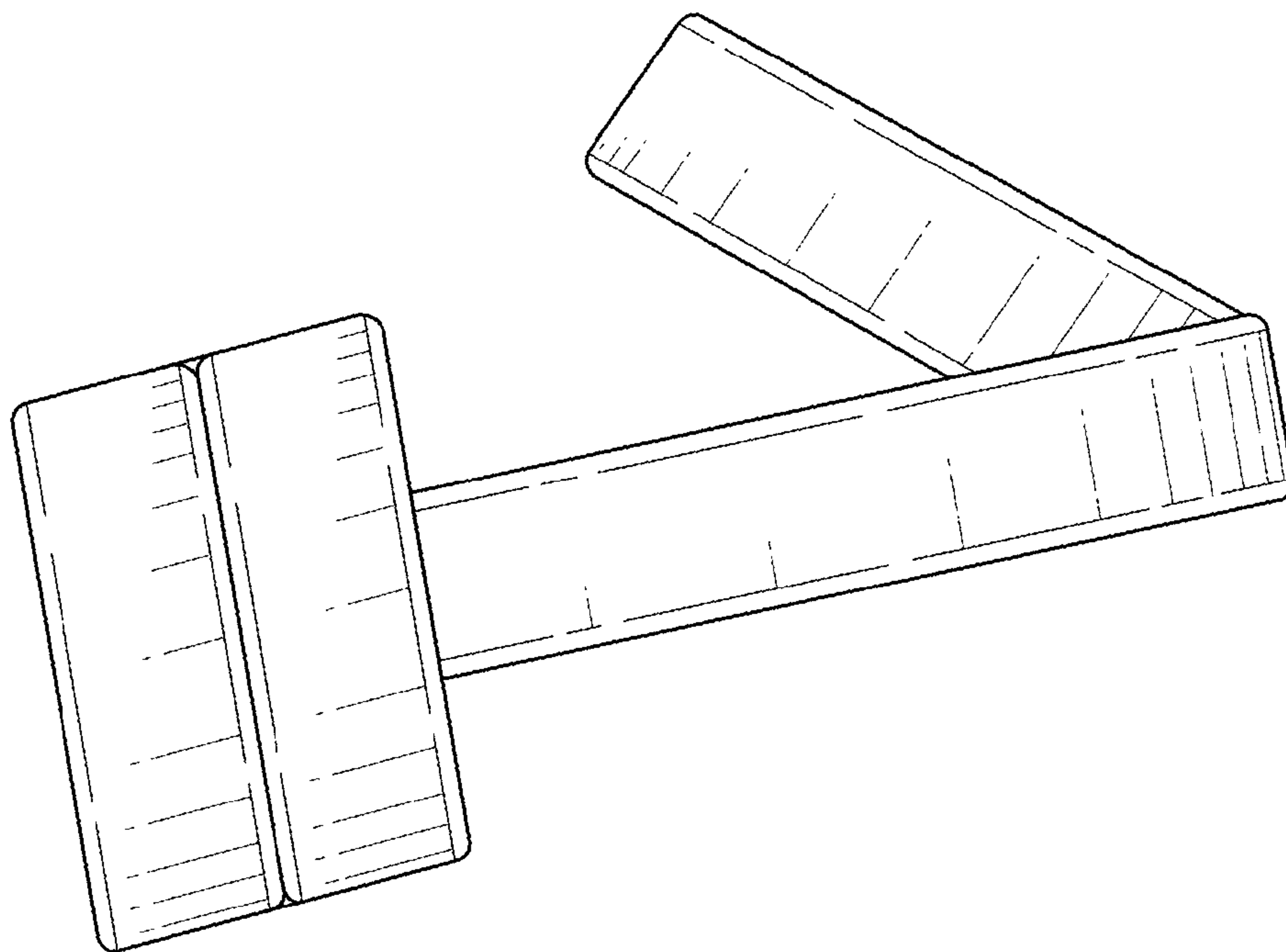


FIG. 6

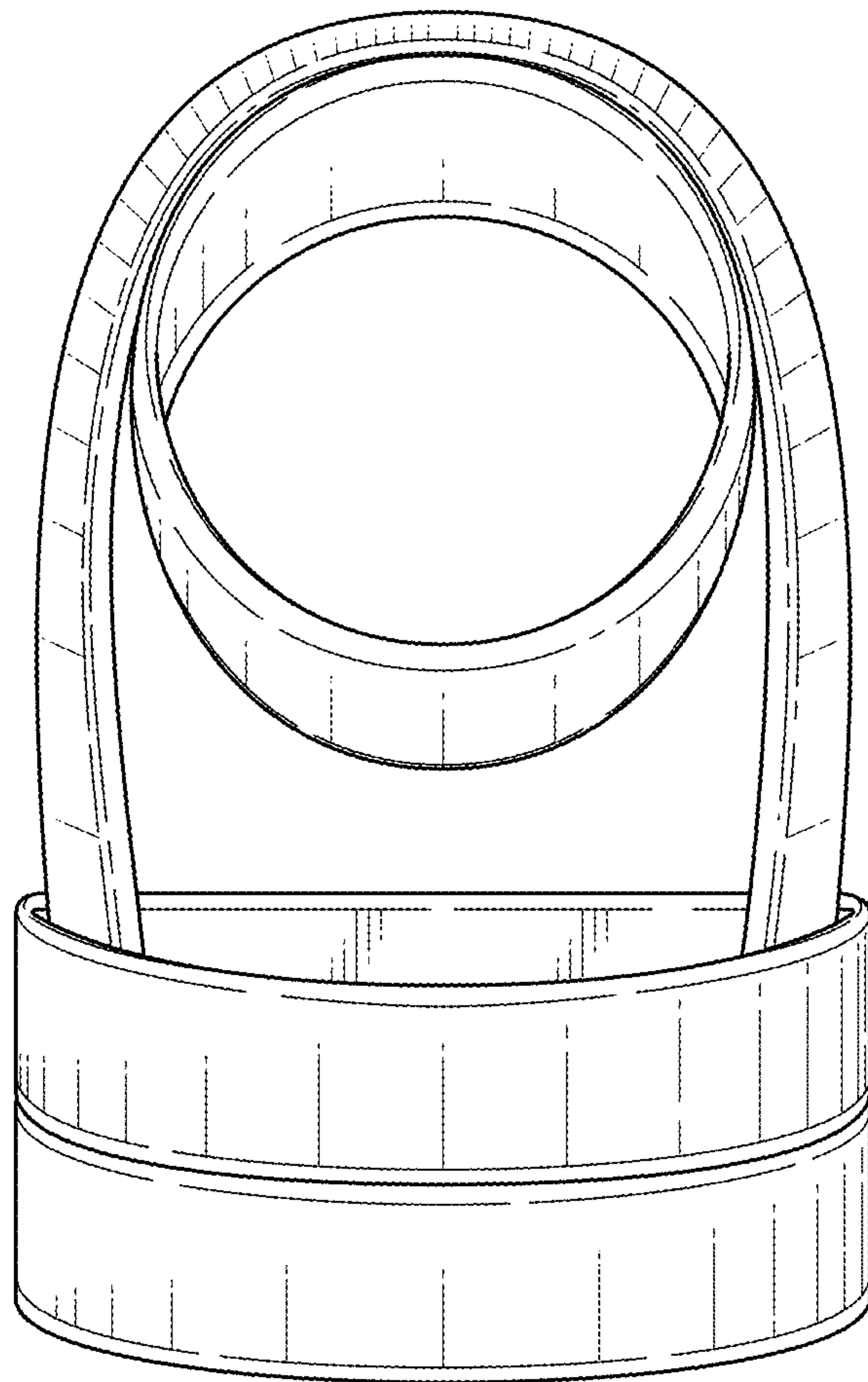


FIG. 7

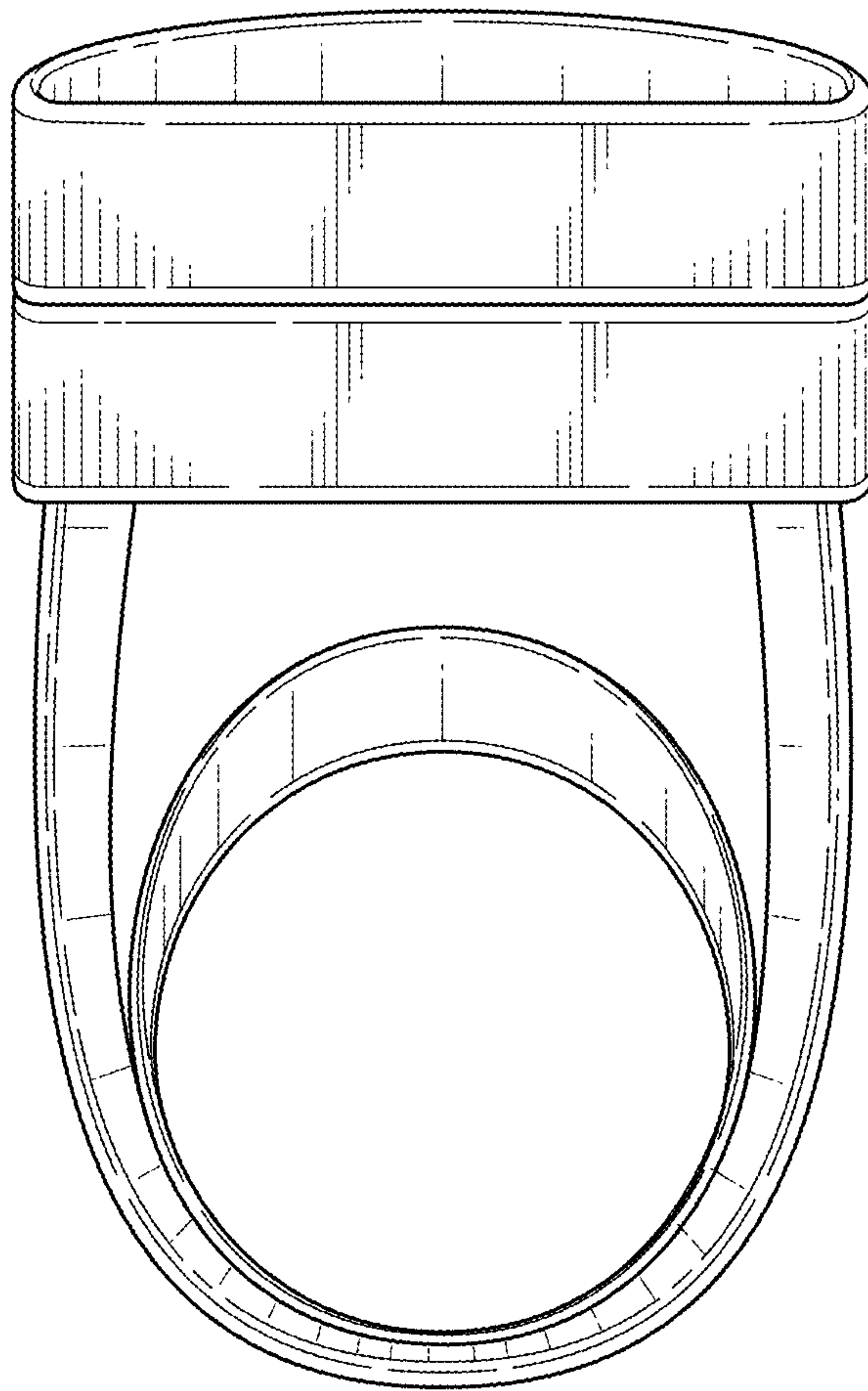


FIG. 8