



US00D739115S

(12) **United States Design Patent**
Kelly

(10) **Patent No.:** **US D739,115 S**

(45) **Date of Patent:** **** Sep. 15, 2015**

(54) **MAILBOX AND POST**

(71) Applicant: **John G. Kelly**, Raleigh, NC (US)

(72) Inventor: **John G. Kelly**, Raleigh, NC (US)

(**) Term: **14 Years**

(21) Appl. No.: **29/507,477**

(22) Filed: **Oct. 28, 2014**

(51) **LOC (10) Cl.** **99-00**

(52) **U.S. Cl.**
USPC **D99/32**

(58) **Field of Classification Search**

USPC D99/28, 29, 30, 31, 32, 33, 43, 99;
D20/6; 109/1 R, 1 V, 45, 58, 59 R, 66;
232/1 R, 1 A, 1 C, 17, 19, 20, 21, 22, 24,
232/27, 30, 37, 38

See application file for complete search history.

(56) **References Cited**

U.S. PATENT DOCUMENTS

1,543,072	A *	6/1925	Fenner	232/34
D196,467	S *	10/1963	Alley	D99/29
D199,290	S *	9/1964	Duncan et al.	D99/29
D200,452	S *	2/1965	Duncan et al.	D99/29
3,243,104	A *	3/1966	Fillion	232/33
3,401,875	A *	9/1968	Bruhns	232/34
3,960,317	A *	6/1976	Clement	232/35
D254,455	S *	3/1980	Cornwell et al.	D99/29
4,524,905	A *	6/1985	Crist	232/35
4,726,512	A *	2/1988	White	232/17
4,755,915	A *	7/1988	Rogers	362/155
4,950,202	A *	8/1990	Florio	446/219
D315,821	S *	3/1991	Lorenzi	D99/29
D335,755	S *	5/1993	Davis et al.	D99/32
D335,903	S *	5/1993	Swindle	D21/483
D354,826	S *	1/1995	Werner	D99/29
5,449,111	A *	9/1995	Sauzedde et al.	232/17
D377,256	S *	1/1997	Parrish, Jr.	D99/32

(Continued)

OTHER PUBLICATIONS

Sears, Roebuck and Company, Mid-Century Modern Mailbox / 1961
Sears Diamond Jubilee Catalog.

(Continued)

Primary Examiner — Elizabeth J Oswecki

(74) *Attorney, Agent, or Firm* — Coats & Bennett, PLLC

(57) **CLAIM**

The ornamental design for a mailbox and post, as shown and described.

DESCRIPTION

FIG. 1 is a perspective view of a mailbox and post with the door of the mailbox in a closed position and the flag lowered showing my new design;

FIG. 2 is a right side elevation view thereof;

FIG. 3 is a left side elevation view thereof;

FIG. 4 is a front elevation view thereof;

FIG. 5 is a rear elevation view thereof;

FIG. 6 is a top view thereof;

FIG. 7 is a bottom view thereof;

FIG. 8 is a perspective view thereof, with the door of the mailbox in an open position and the flag raised;

FIG. 9 is a cross sectional view taken along line 9-9 of FIG. 4 with the door of the mailbox in an open position;

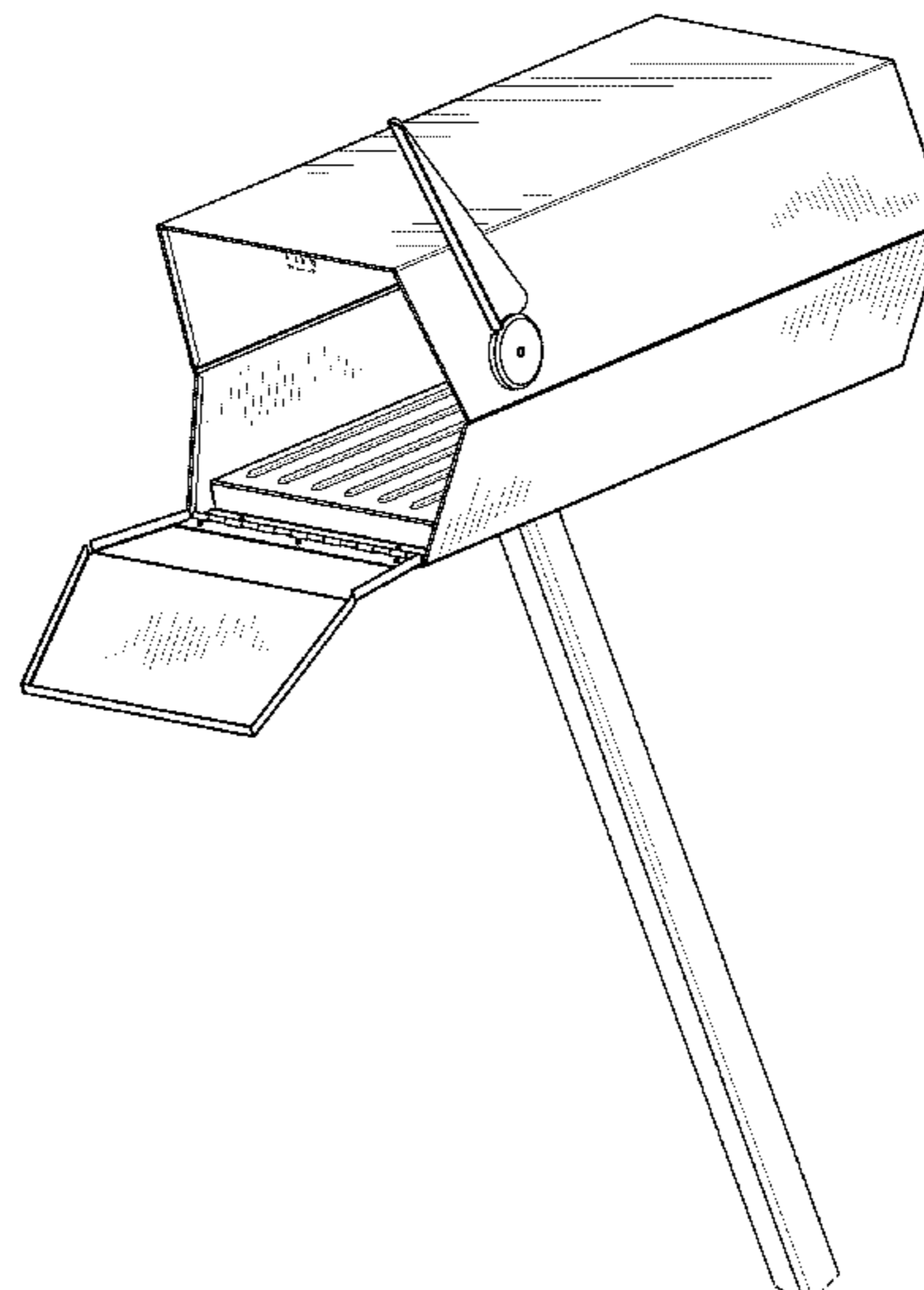
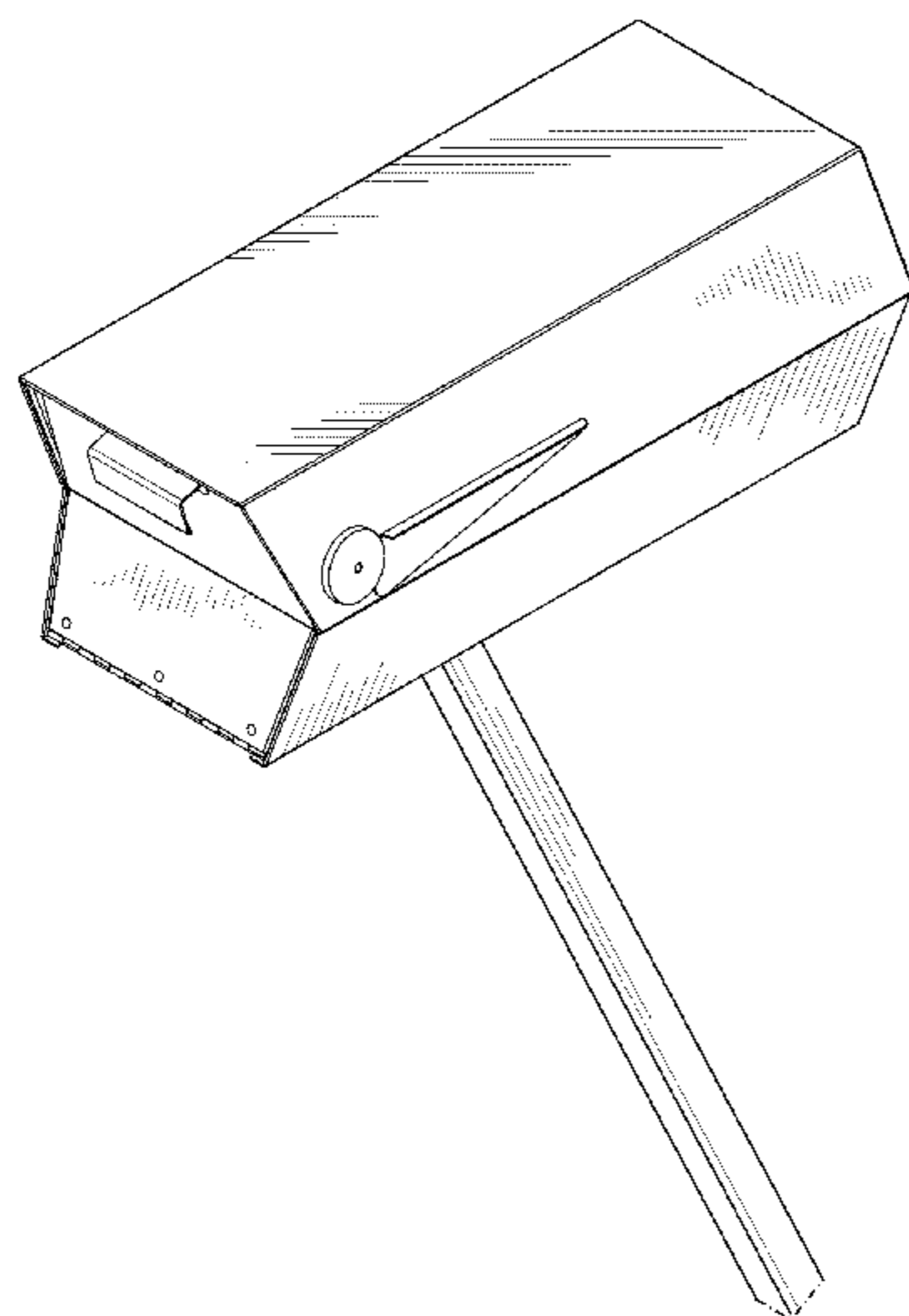
FIG. 10 is another cross sectional view taken along line 10-10 of FIG. 6 with the door of the mailbox in an open position and the flag raised;

FIG. 11 is another cross sectional view taken along line 11-11 of FIG. 6 with the door of the mailbox in an open position; and,

FIG. 12 is another cross sectional view taken along line 12-12 of FIG. 6 with the door of the mailbox in a closed position and the flag raised.

The even dashed broken lines illustrating portions of the mailbox form no part of the claimed design. The dashed-dot-dashed lines form the boundary lines of the claimed design.

1 Claim, 11 Drawing Sheets



(56)

References Cited

U.S. PATENT DOCUMENTS

5,664,729	A *	9/1997	Ladewig	232/39
D390,328	S *	2/1998	Barton, Jr.	D99/32
D413,704	S *	9/1999	Metcheur, III	D99/32
D438,363	S *	2/2001	Lackey et al.	D99/29
D445,988	S *	7/2001	Gaines et al.	D99/29
D452,358	S *	12/2001	Lackey et al.	D99/29
D476,791	S *	7/2003	South	D99/29
D477,450	S *	7/2003	South	D99/29
D480,199	S *	9/2003	Dineen	D99/29
D482,178	S *	11/2003	South	D99/29
D482,179	S *	11/2003	South	D99/29
D499,225	S *	11/2004	Taylor et al.	D99/32
D503,844	S *	4/2005	Taylor et al.	D99/32
D580,623	S *	11/2008	Bowers	D99/29
D617,975	S *	6/2010	Koslak	D99/31
D620,225	S *	7/2010	Dinh	D99/29

OTHER PUBLICATIONS

Fulton Corp., Mid-Century Modern Mailbox / Fulton Corp. Catalog, 1970.
 Postal Bulletin 22310, Organization Information, May 5, 2011.
 Postal Bulletin 22049, "All Offices with City Motorized, Rural, and Highway Contract Box Delivery Routes, Mailbox Improvement Week, May 21-26", May 3, 2001, p. 5.
 Wards Catalog, Suburban and Rural Mailboxes, 1974.
 Leigh, Vintage Leigh Mailbox, ca 1970's.
 Sears, Roebuck and Company, Sear's Handsome 1960 Mailbox.
 Sears, Roebuck and Company, Vintage Sears, ca 1960's, (photo posed Apr. 16, 2012).
 Oglevie, Scott, Vintage Moderntown, www.flickr.com/photos/vintagemoderntown/with/5187030565/, (photo posted Nov. 18, 2010).

* cited by examiner

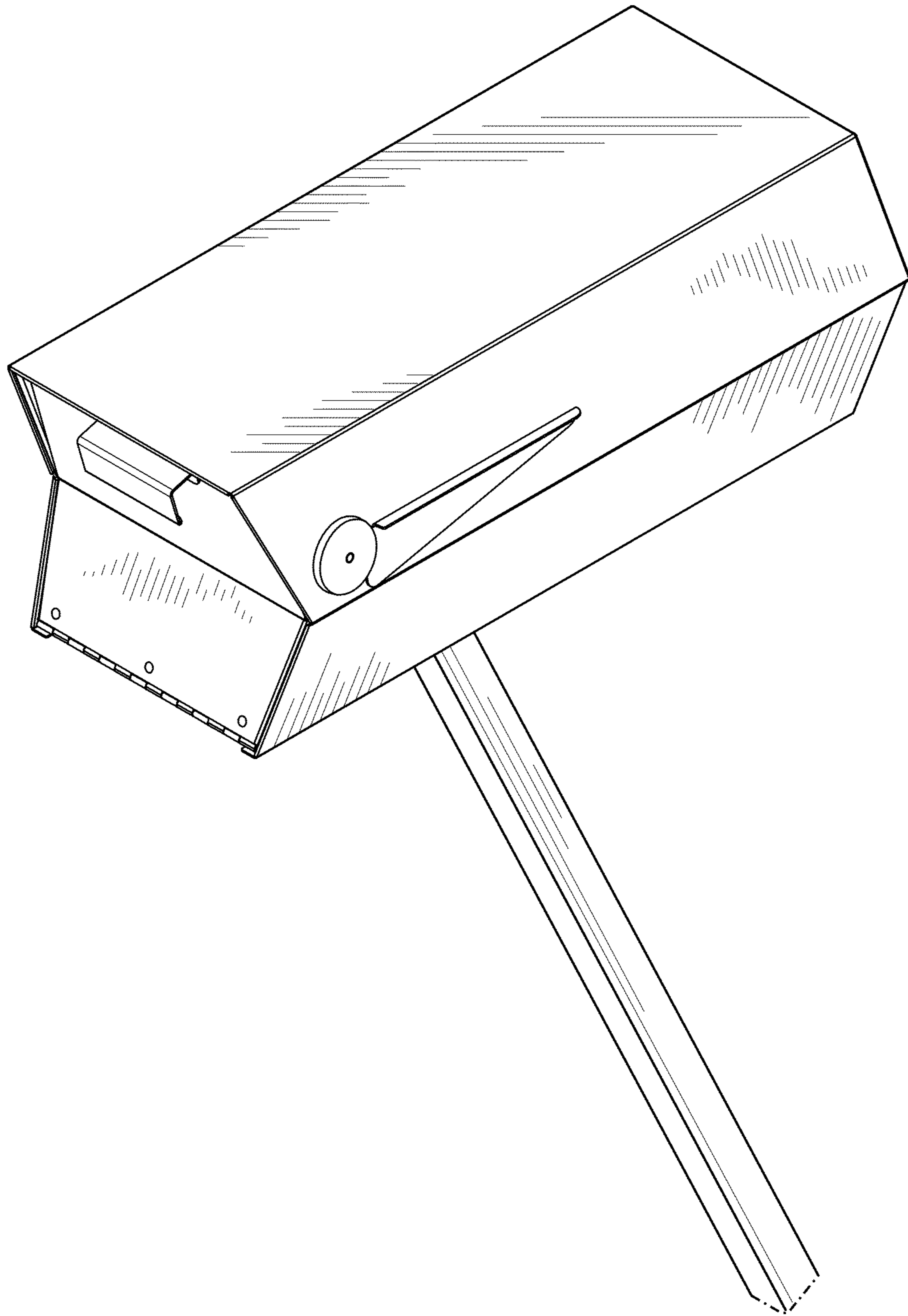


FIG. 1

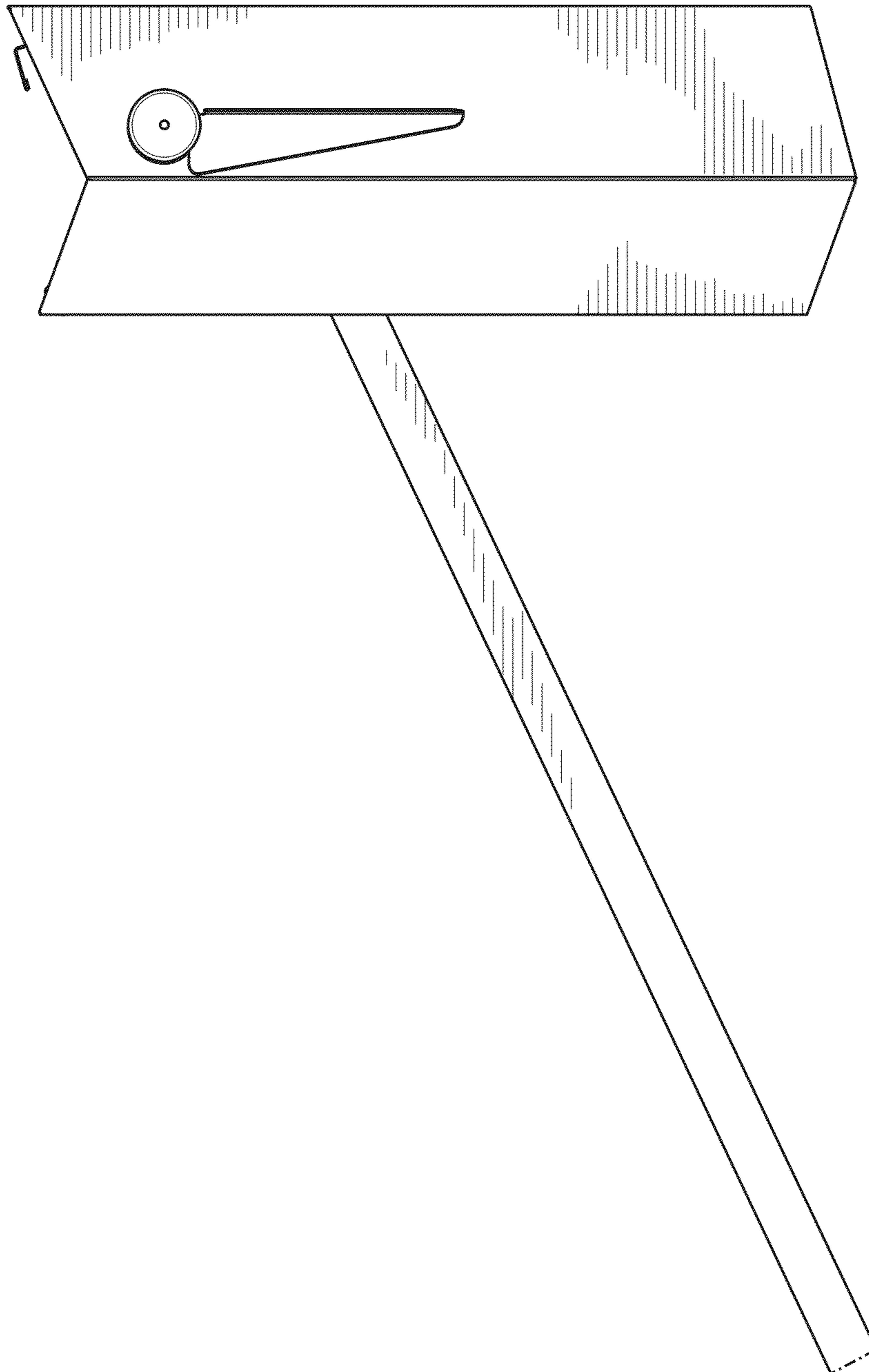


FIG. 2

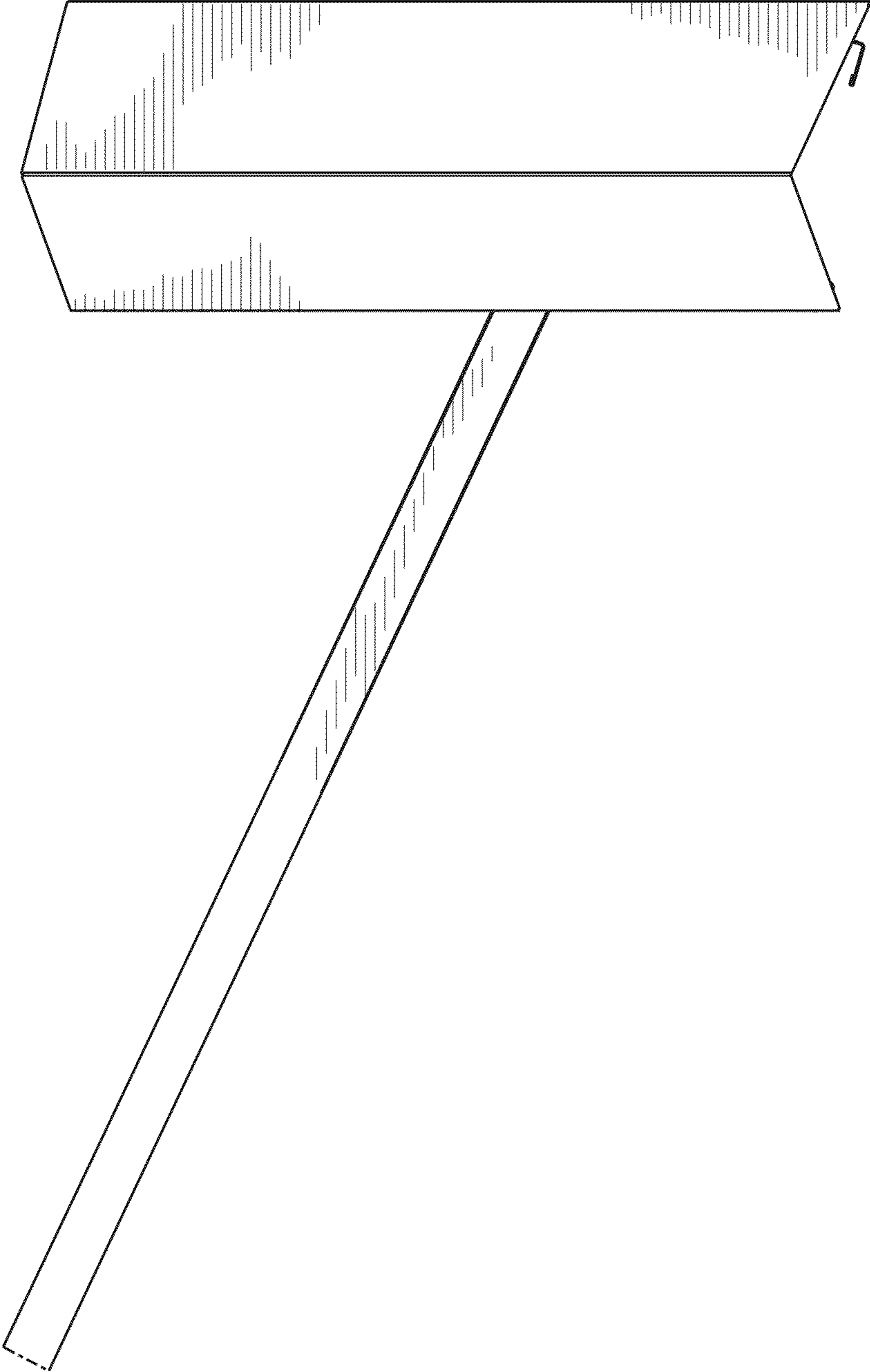


FIG. 3

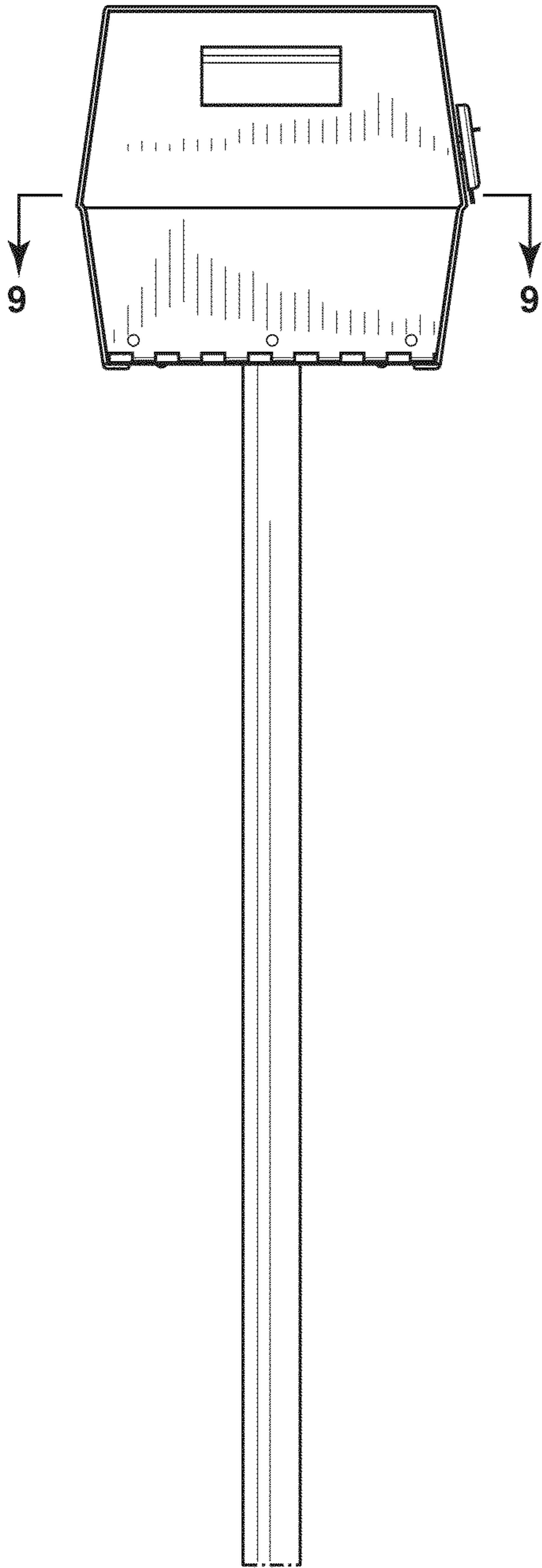


FIG. 4

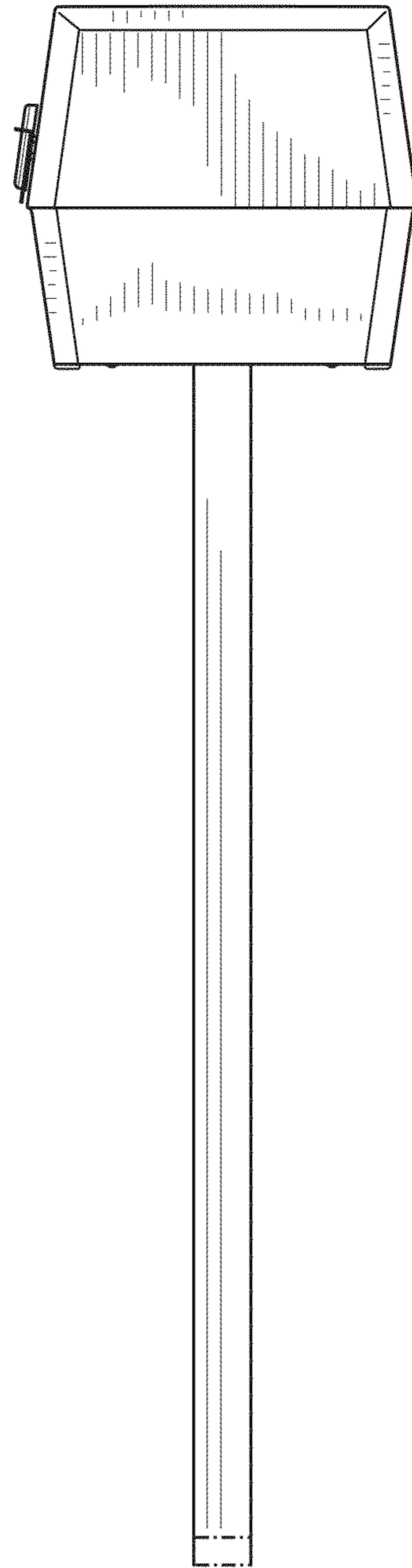


FIG. 5

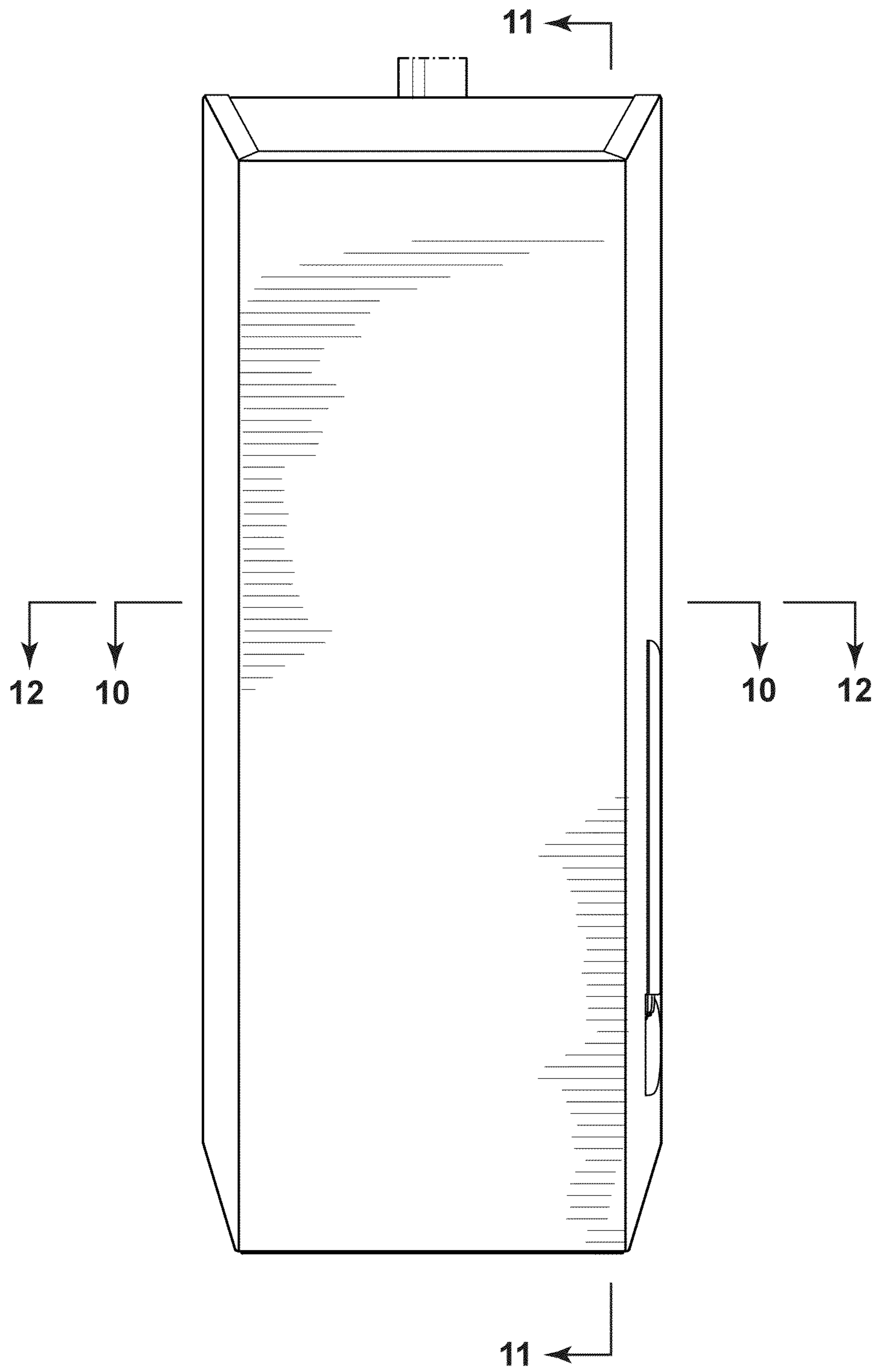


FIG. 6

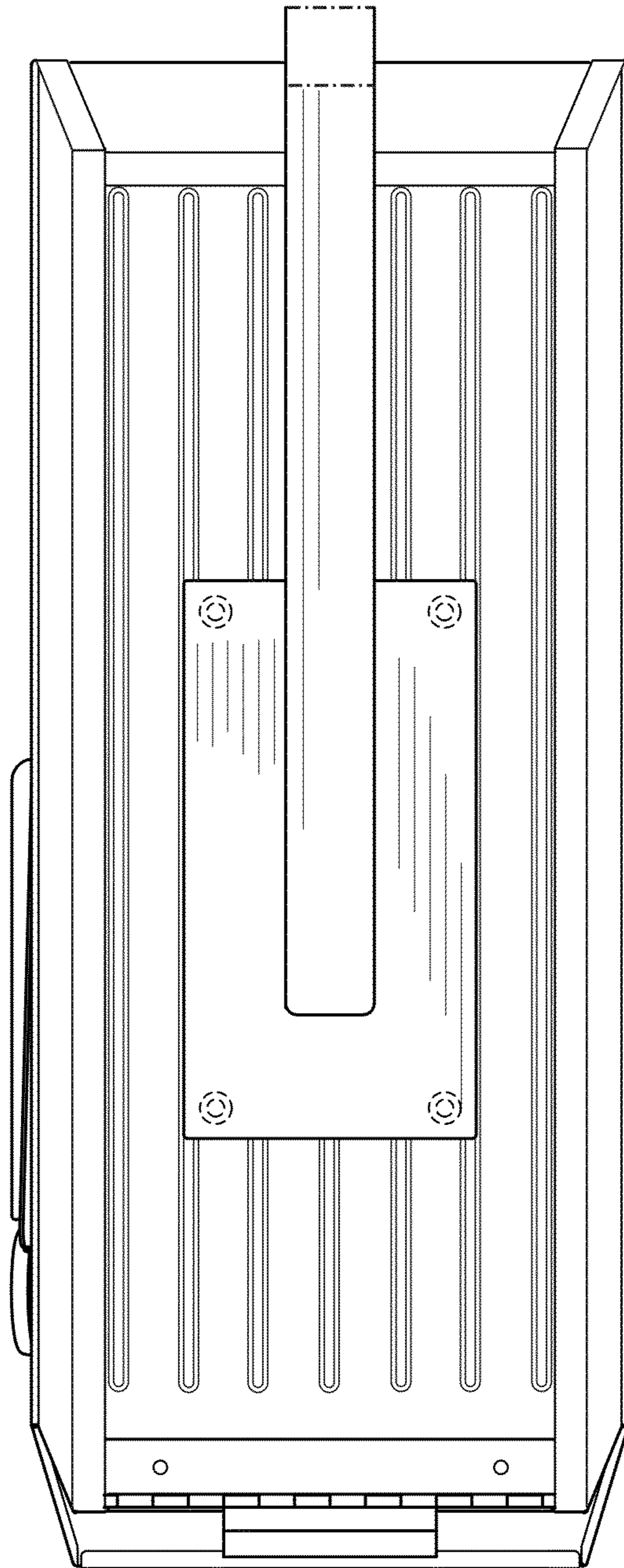


FIG. 7

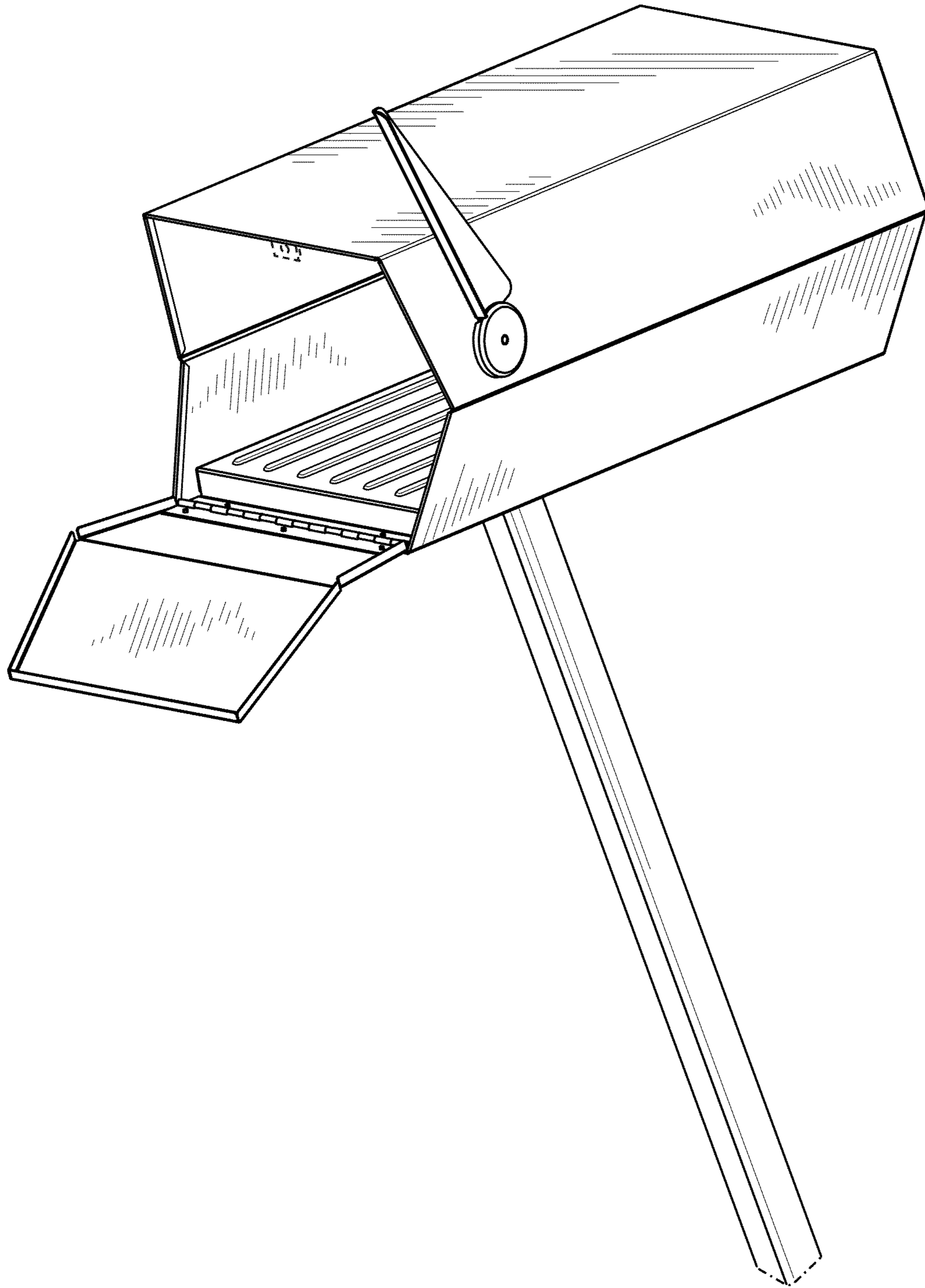


FIG. 8

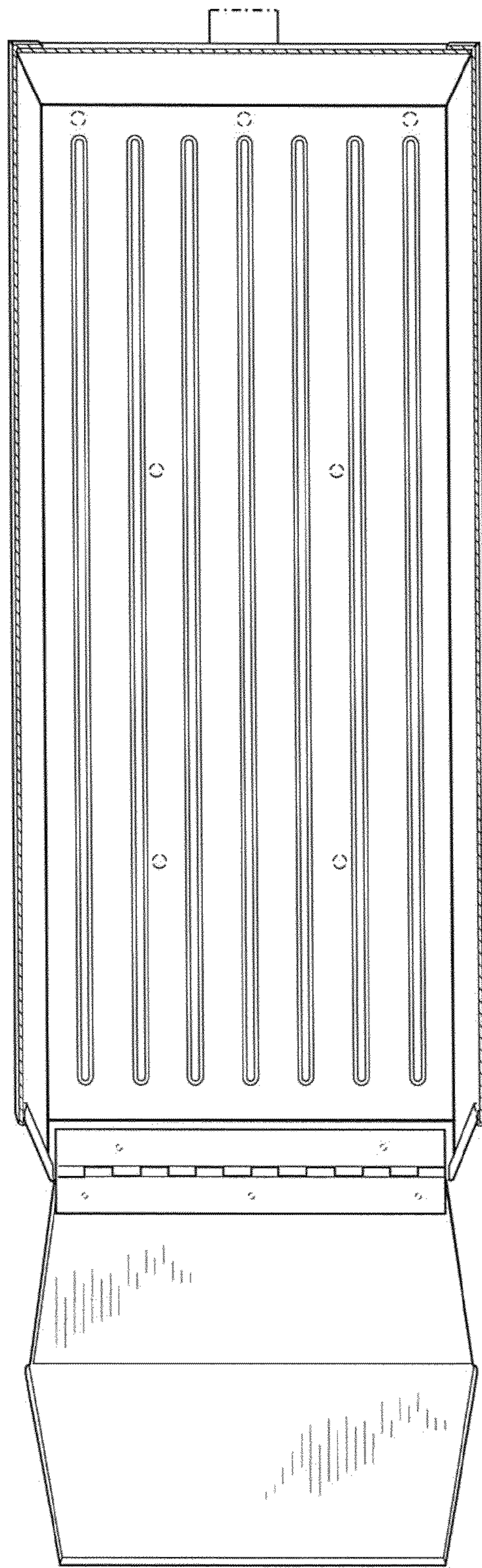


FIG. 9

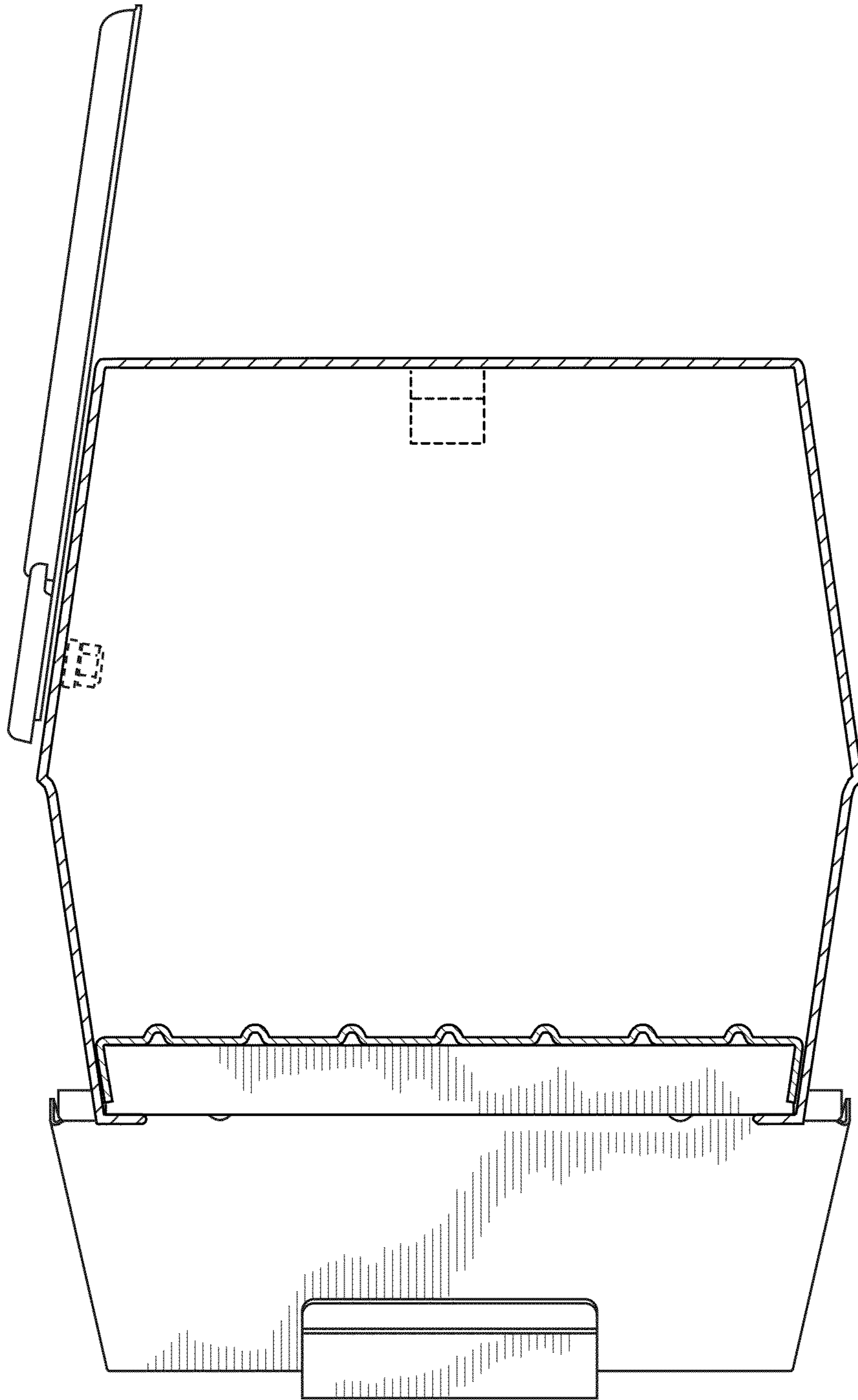


FIG. 10

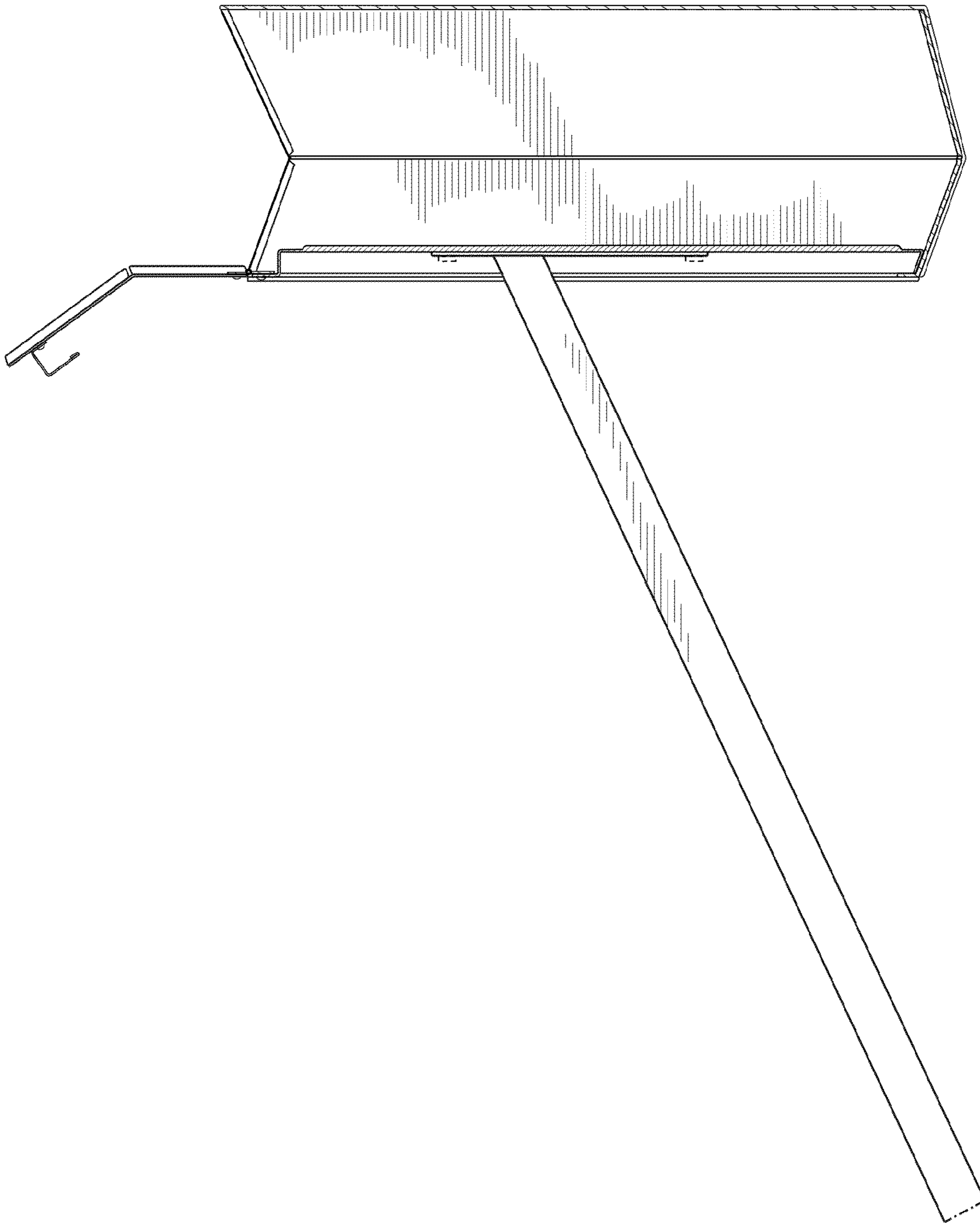


FIG. 11

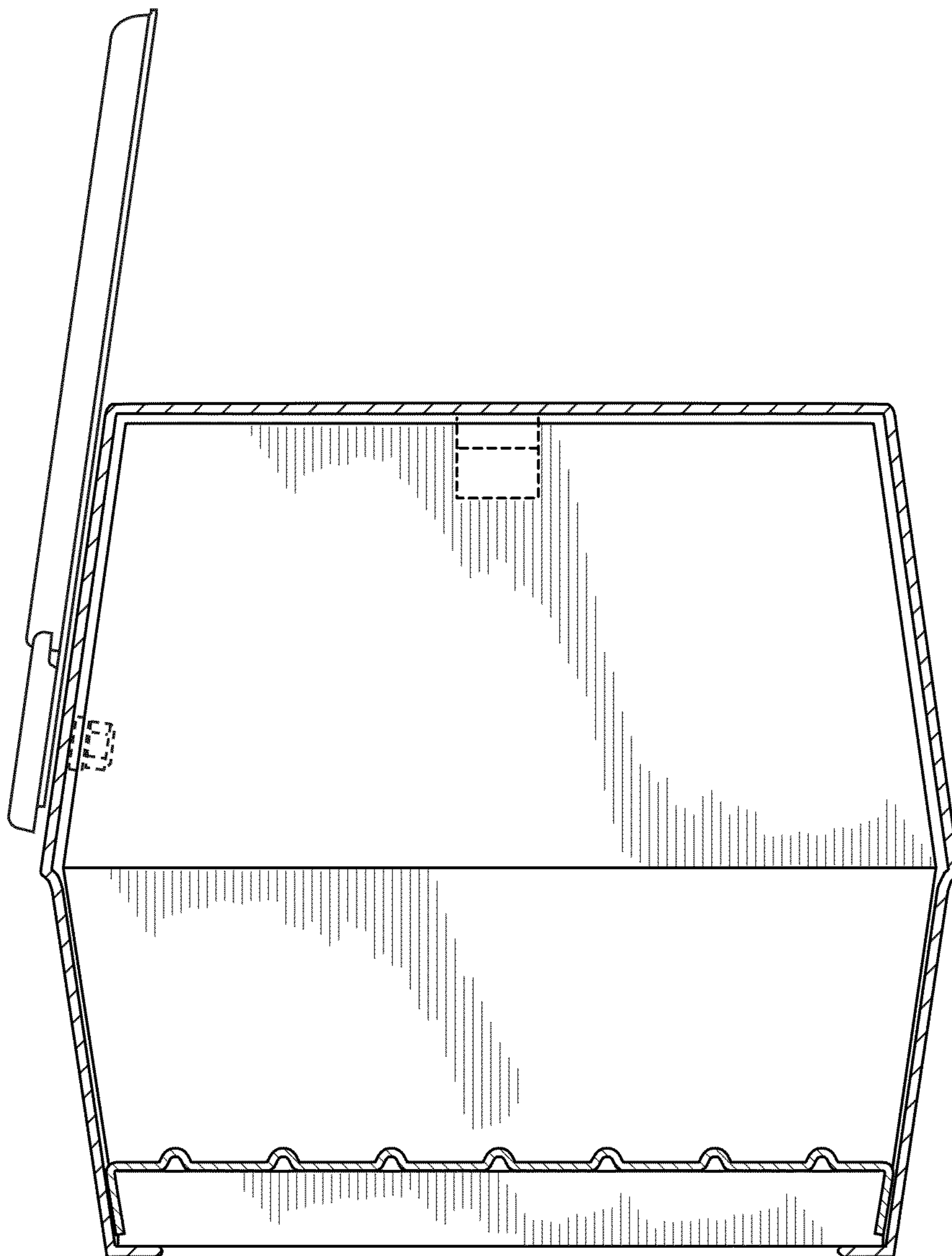


FIG. 12