



US00D739114S

(12) **United States Design Patent**
Buttecali

(10) **Patent No.:** **US D739,114 S**

(45) **Date of Patent:** **** Sep. 15, 2015**

- (54) **COMBINED MAILBOX, BRACE AND POST**
- (71) Applicant: **Peter Sean Buttecali**, Vienna, VA (US)
- (72) Inventor: **Peter Sean Buttecali**, Vienna, VA (US)
- (**) Term: **14 Years**
- (21) Appl. No.: **29/506,692**
- (22) Filed: **Oct. 18, 2014**
- (51) **LOC (10) Cl.** **99-00**
- (52) **U.S. Cl.**
USPC **D99/32**
- (58) **Field of Classification Search**
USPC D99/28, 29, 30, 31, 32, 43, 99; 312/35;
232/1 R, 1 A, 1 C, 1 D, 4 R, 2, 17, 19, 20,
232/21, 22, 24, 27, 30, 31, 37, 38, 39, 44,
232/45
CPC A47G 29/12; A47G 29/1201; A47G
29/1203; A47G 29/1205; A47G 29/1207;
A47G 29/1209; A47G 29/121; A47G 29/1212;
A47G 29/1214; A47G 29/1216; A47G
29/1218; A47G 29/122; A47G 29/1225;
A47G 29/16; A47G 29/00
See application file for complete search history.

(56) **References Cited**

U.S. PATENT DOCUMENTS

936,215	A *	10/1909	Broberg	232/35
2,431,838	A *	12/1947	Staley	232/17
2,669,408	A *	2/1954	Cox	248/146
D188,749	S *	9/1960	McAver	D99/32
3,232,104	A *	2/1966	Fishman et al.	73/861.59
3,802,656	A *	4/1974	Virblas	248/145
3,960,317	A *	6/1976	Clement	232/35
3,981,413	A *	9/1976	Cornwell, Jr.	220/845
4,244,512	A *	1/1981	Wise	232/17
D315,821	S *	3/1991	Lorenzi	D99/29

D330,793	S *	11/1992	Hampton	D99/32
D335,750	S *	5/1993	Berardi	D99/31
D335,755	S *	5/1993	Davis et al.	D99/32
D335,903	S *	5/1993	Swindle	D21/483
D337,417	S	7/1993	McNiven		
D338,765	S *	8/1993	Hohlbein	D99/32
D376,248	S	12/1996	Erwin et al.		
D378,462	S	3/1997	Erwin et al.		
D385,684	S *	10/1997	Petersen	D99/32
D390,328	S	2/1998	Barton		
D413,704	S *	9/1999	Metchea, III	D99/32
D428,546	S *	7/2000	Rempfer	D99/30
D448,911	S	10/2001	Gaines et al.		
D462,499	S	9/2002	Erwin		
6,729,535	B2 *	5/2004	Lackey et al.	232/17
D499,225	S *	11/2004	Taylor et al.	D99/32
D503,844	S *	4/2005	Taylor et al.	D99/32
D517,270	S	3/2006	Lackey et al.		
D616,175	S *	5/2010	Chen et al.	D99/30
D679,475	S	4/2013	Frye		
8,631,998	B1 *	1/2014	Connelly et al.	232/39
8,657,185	B2 *	2/2014	Corey	232/29
D727,590	S *	4/2015	Rogerson	D99/32

* cited by examiner

Primary Examiner — Elizabeth J Oswecki

(74) *Attorney, Agent, or Firm* — Louis Ventre, Jr.

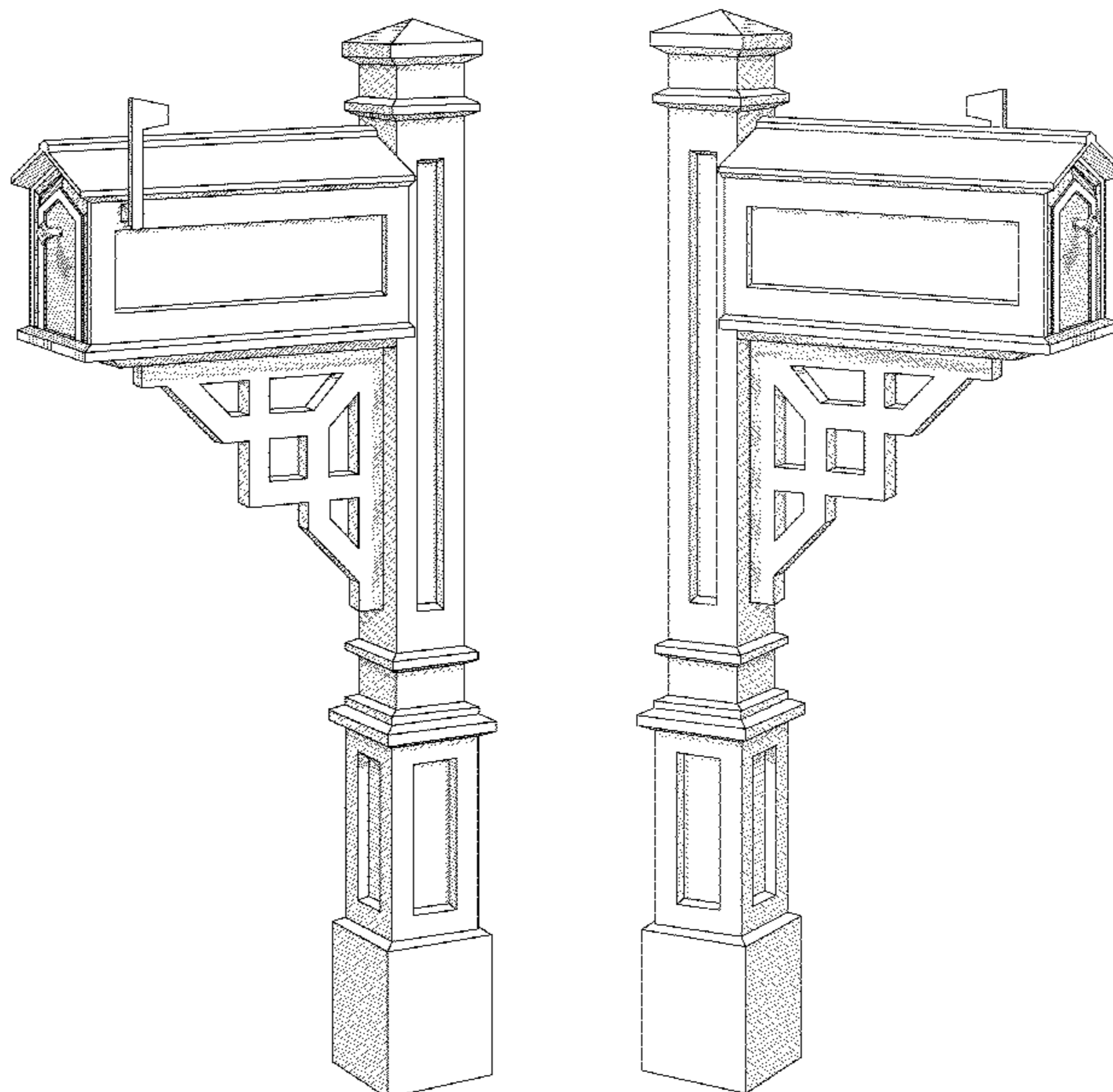
(57) **CLAIM**

The ornamental design for a combined mailbox, brace and post, as shown and described.

DESCRIPTION

FIG. 1 is a left-side perspective view of a combined mailbox, brace and post showing my new design; FIG. 2 is a right-side perspective view thereof; FIG. 3 is left-side elevation view thereof; FIG. 4 is front elevation view thereof; and, FIG. 5 is a rear elevation view thereof. All surfaces not shown form no part of the claimed design.

1 Claim, 5 Drawing Sheets



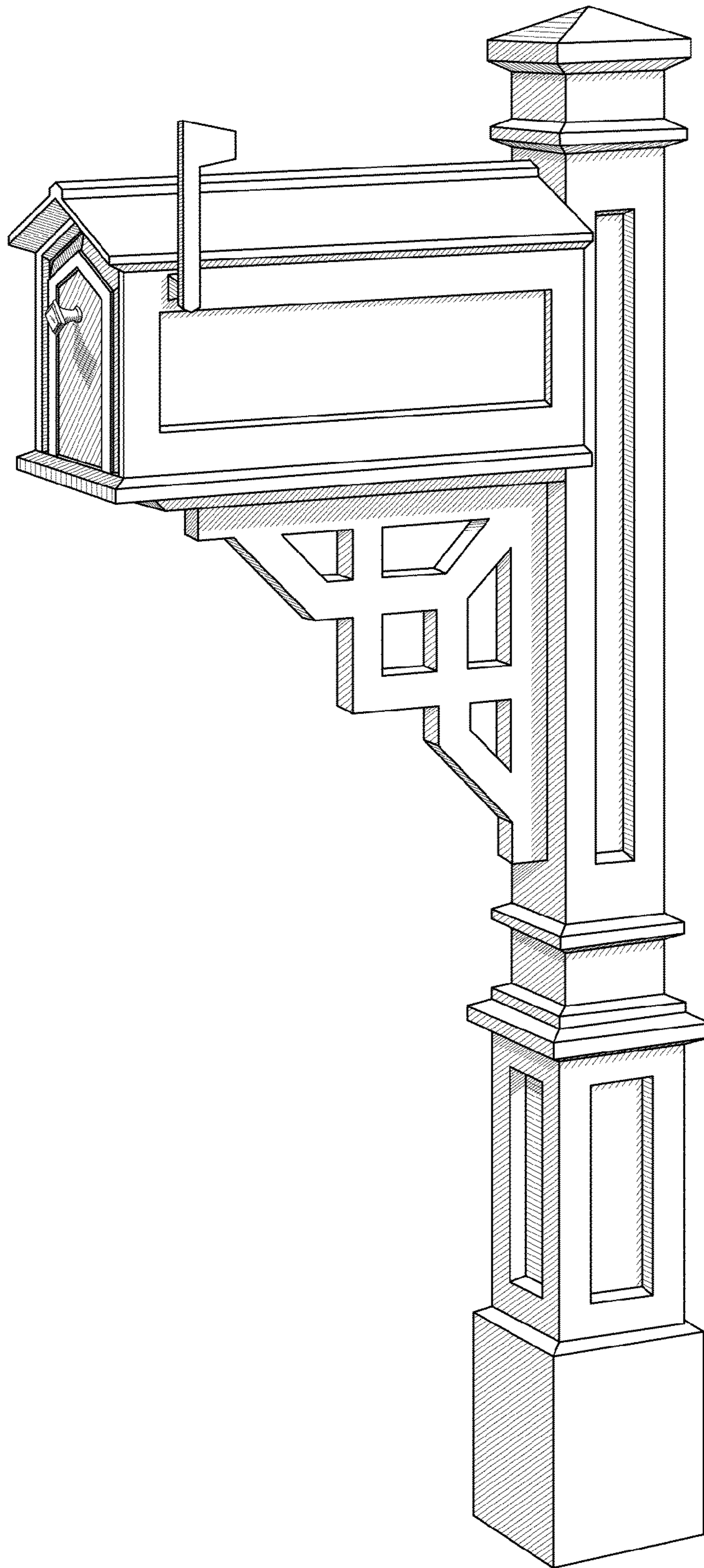


FIG. 1

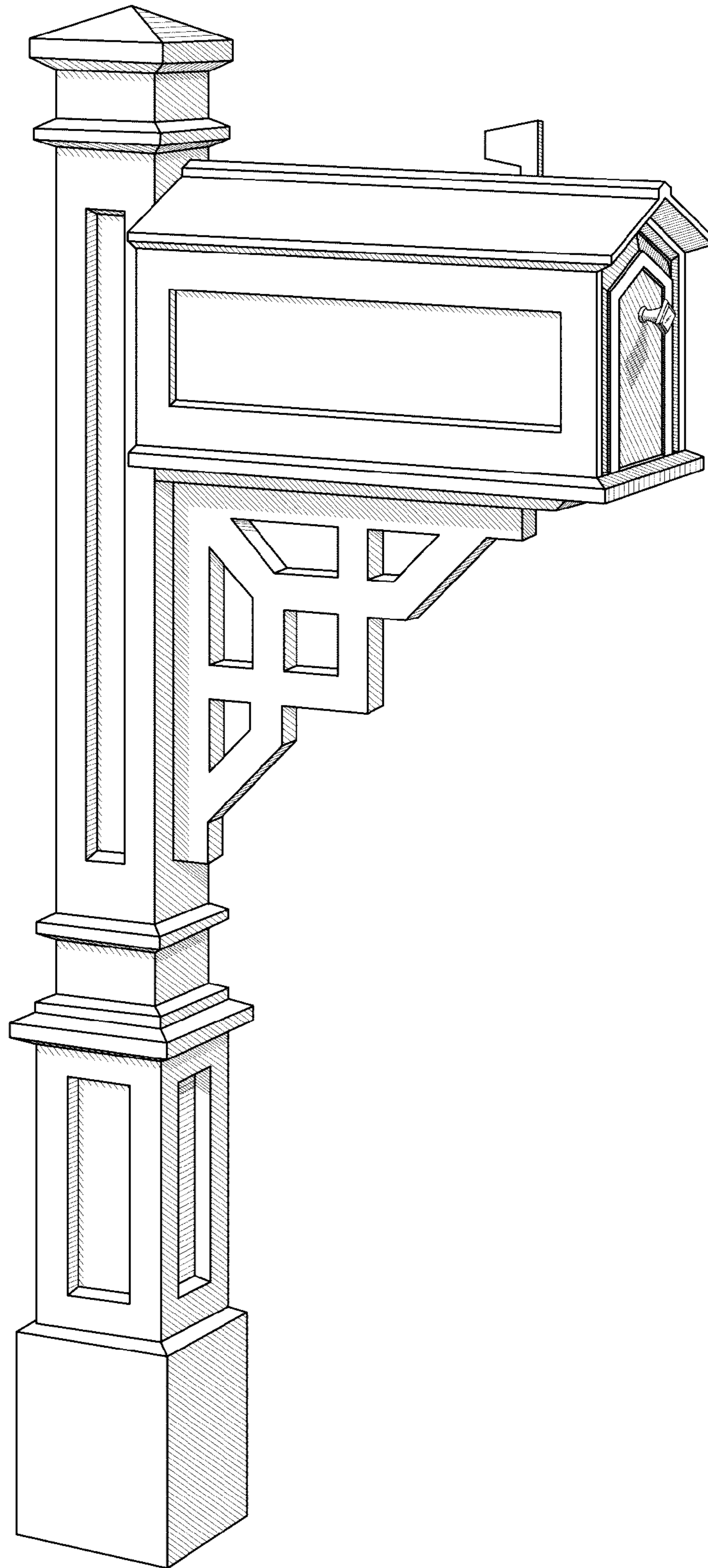


FIG. 2

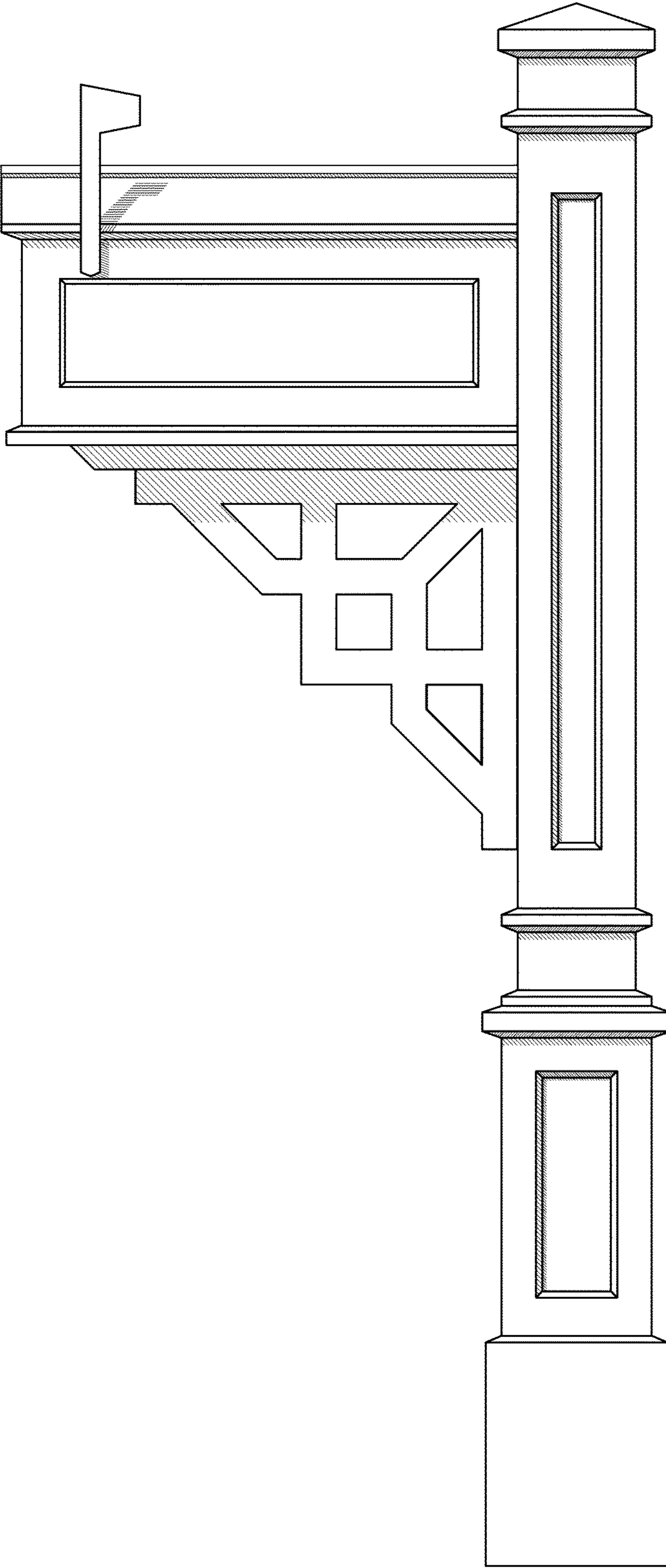


FIG. 3

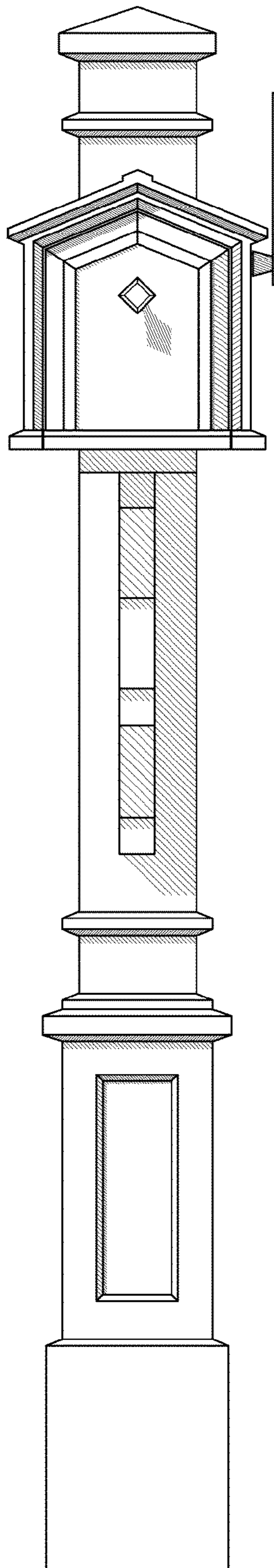


FIG. 4

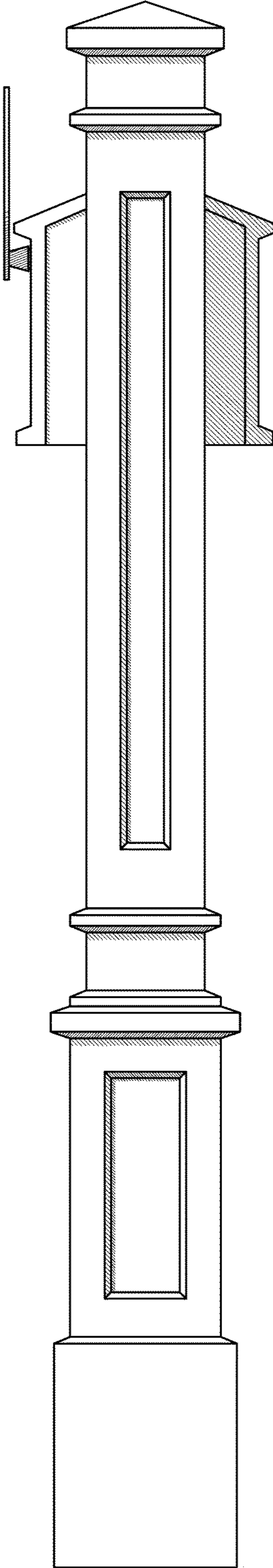


FIG. 5