



US00D739108S

(12) **United States Design Patent**
Orthey et al.

(10) **Patent No.:** **US D739,108 S**

(45) **Date of Patent:** **** Sep. 15, 2015**

(54) **STEAM IRON**

(56) **References Cited**

(71) Applicant: **De'Longhi Braun Household GmbH,**
Neu-Isenburg (DE)

U.S. PATENT DOCUMENTS

(72) Inventors: **Markus Orthey,** Eltville am Rhein
(DE); **Duy Phong Vu,** Schwalbach am
Taunus (DE)

D660,537	S	*	5/2012	Bock	D32/70
D663,088	S	*	7/2012	Choi et al.	D32/70
D667,599	S	*	9/2012	Koehler et al.	D32/70
D669,649	S	*	10/2012	Rohmer et al.	D32/70
D676,210	S	*	2/2013	Sirard	D32/70
D707,006	S	*	6/2014	Esteve	D32/70
D707,412	S	*	6/2014	Renault	D32/70
D712,108	S	*	8/2014	Nho	D32/70
D712,109	S	*	8/2014	Day et al.	D32/70
D715,012	S	*	10/2014	Ringholm et al.	D32/70
D718,512	S	*	11/2014	Whitney	D32/70
2010/0307034	A1	*	12/2010	Knott et al.	38/77.5

(73) Assignee: **DE'LONGHI BRAUN HOUSEHOLD**
GMBH, Neu-Isenburg (DE)

(**) Term: **14 Years**

* cited by examiner

(21) Appl. No.: **29/510,493**

Primary Examiner — Austin Murphy

(22) Filed: **Nov. 28, 2014**

(74) *Attorney, Agent, or Firm* — Goodwin Procter LLP

(30) **Foreign Application Priority Data**

May 28, 2014 (EM) 002472621-0001

(51) **LOC (10) Cl.** **07-05**

(52) **U.S. Cl.**
USPC **D32/70**

(58) **Field of Classification Search**
USPC D32/73, 72, 71, 70, 69, 68, 35;
392/404; 38/97, 96, 93, 88, 77.9,
38/77.83, 77.82, 77.81, 77.8, 77.7, 77.6,
38/77.5, 77.3, 77.1; 219/251, 245
CPC D06F 75/34; D06F 75/08; D06F 75/38;
D06F 75/00; F22B 27/14; B08B 3/006

See application file for complete search history.

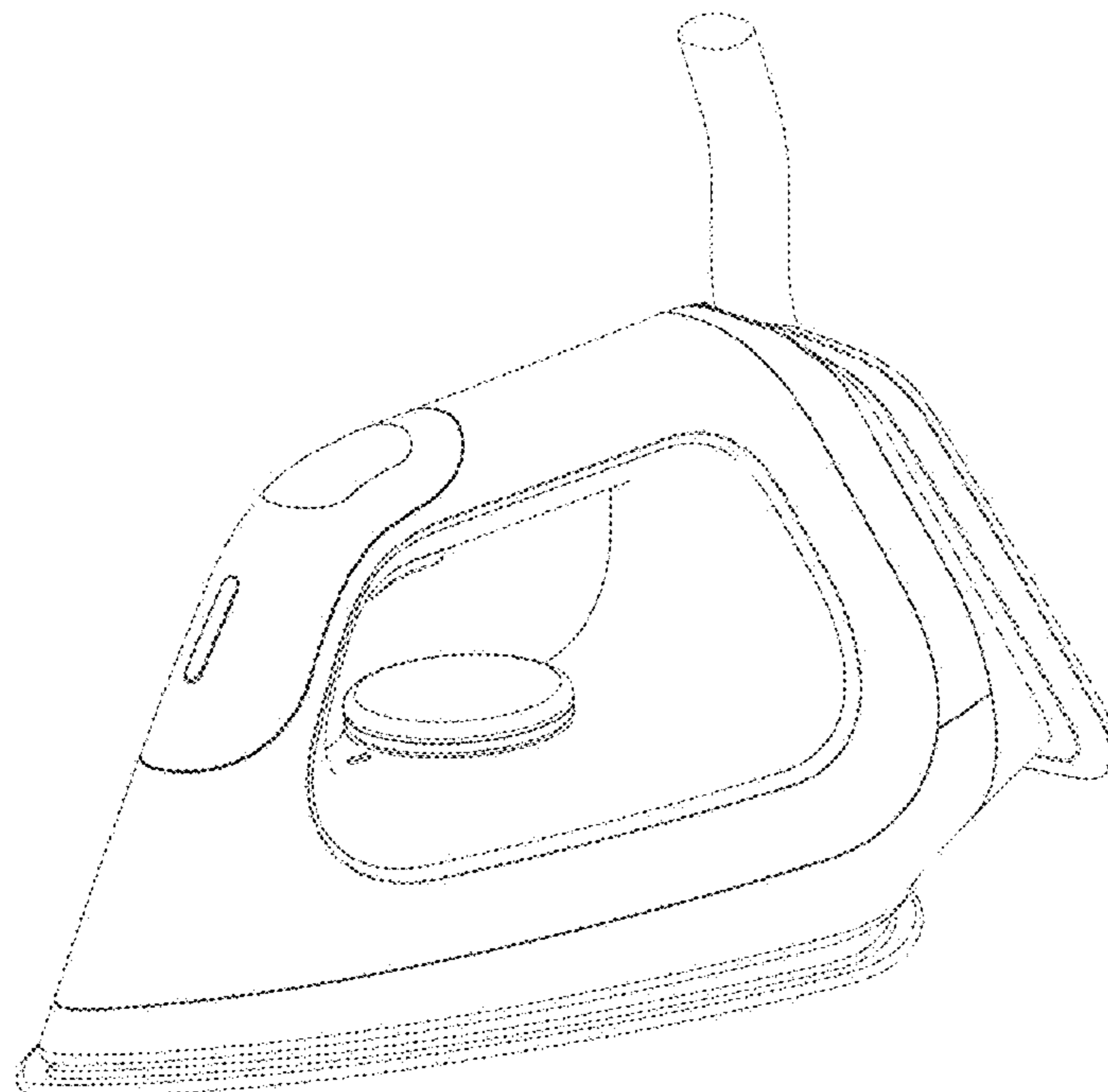
(57) **CLAIM**

The ornamental design for a steam iron, as shown and described.

DESCRIPTION

FIG. 1 is a front view of a steam iron;
FIG. 2 is a rear view of the steam iron;
FIG. 3 is a right side view of the steam iron;
FIG. 4 is a left side view of the steam iron;
FIG. 5 is a top view of the steam iron;
FIG. 6 is a bottom view of the steam iron; and,
FIG. 7 is a top perspective view of the steam iron.

1 Claim, 7 Drawing Sheets



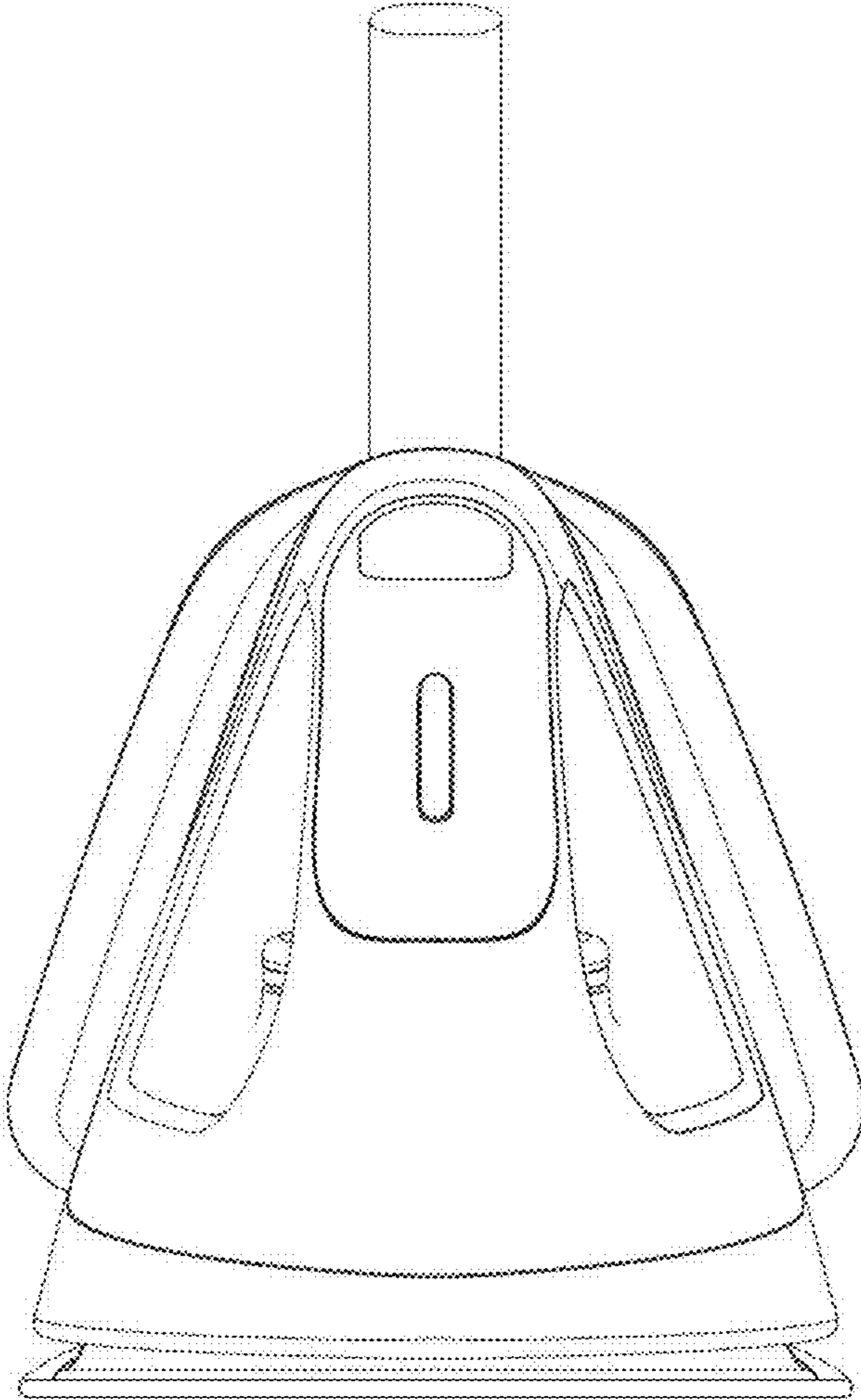


FIG. 1

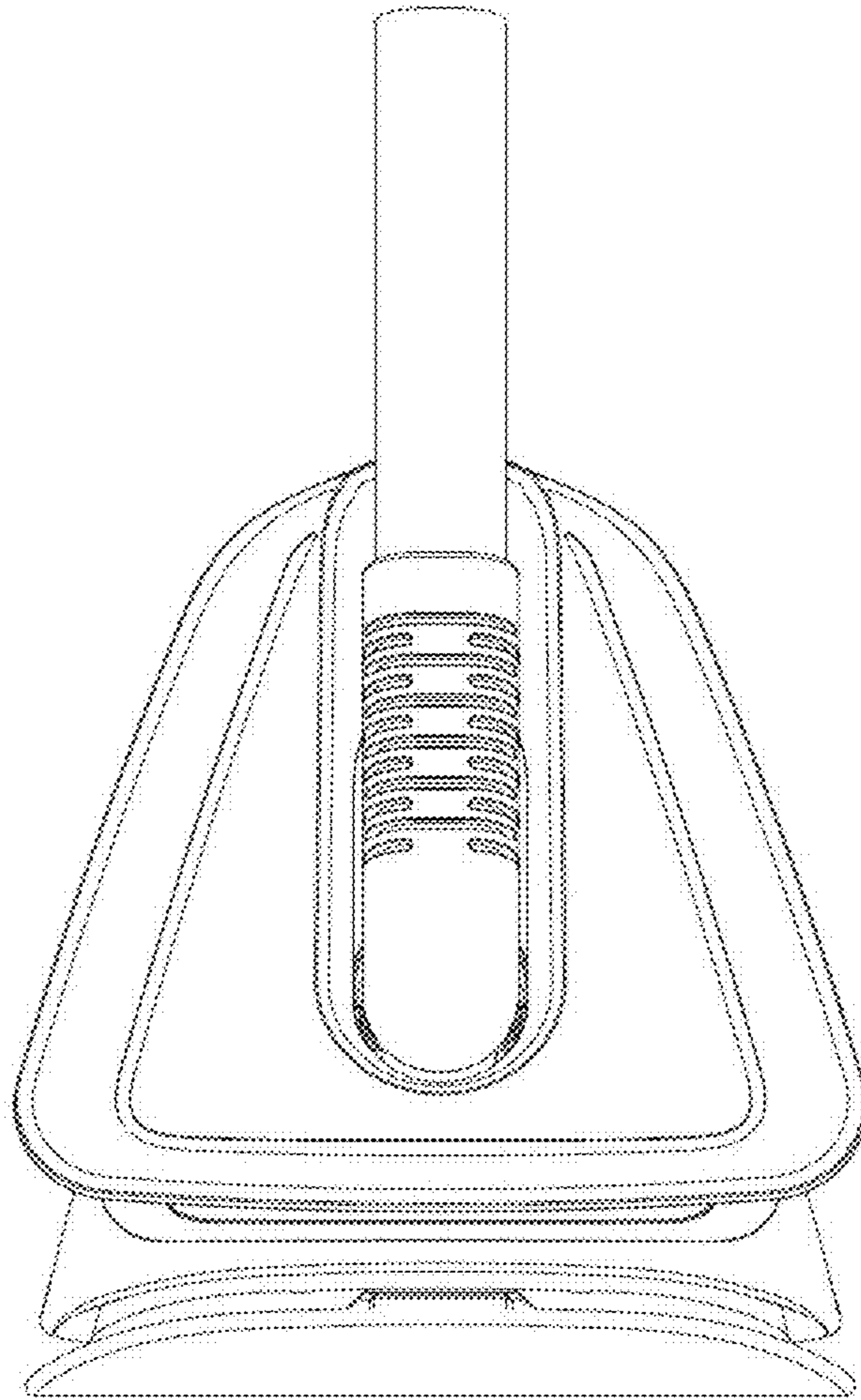


FIG. 2

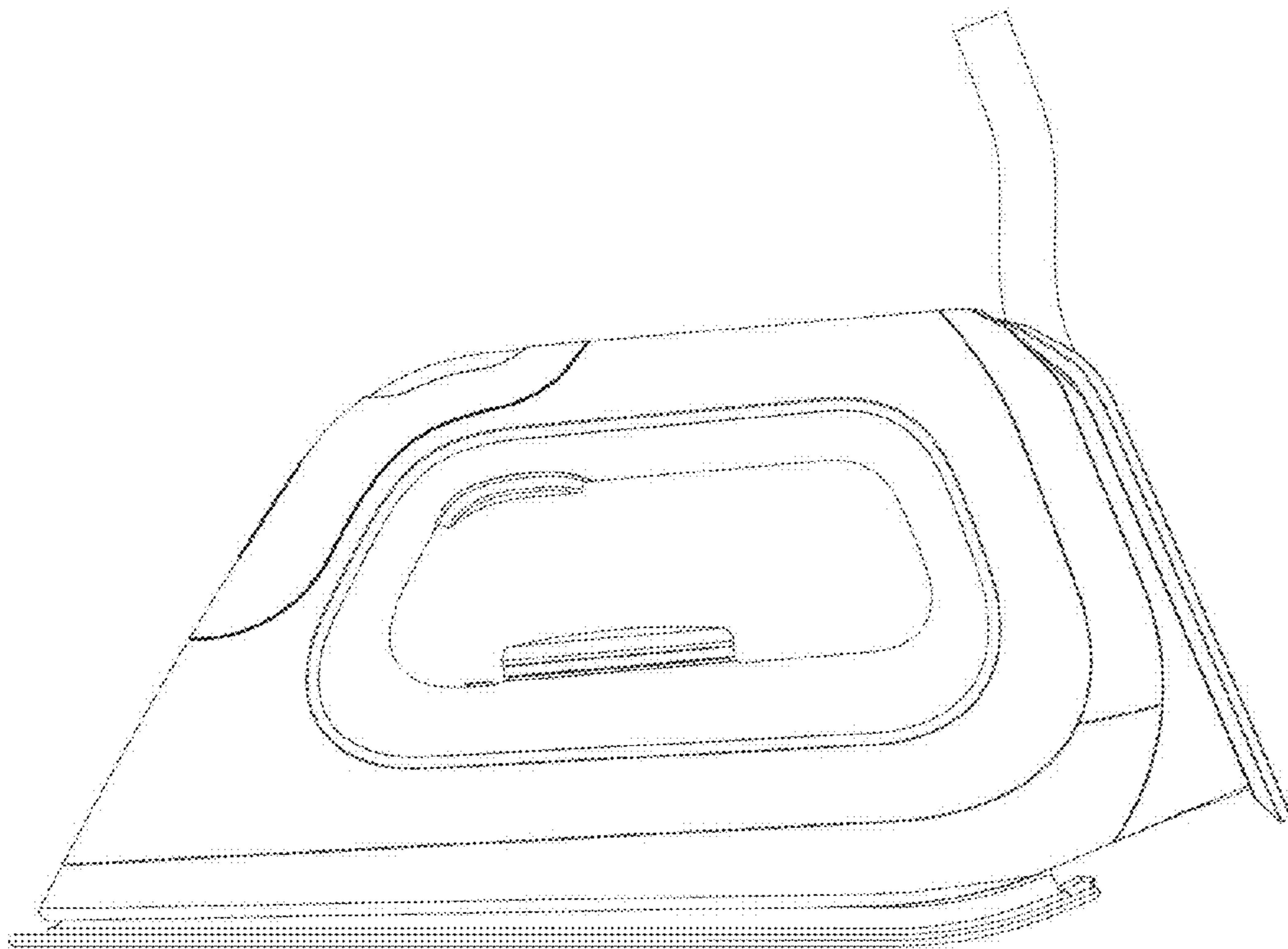


FIG. 3

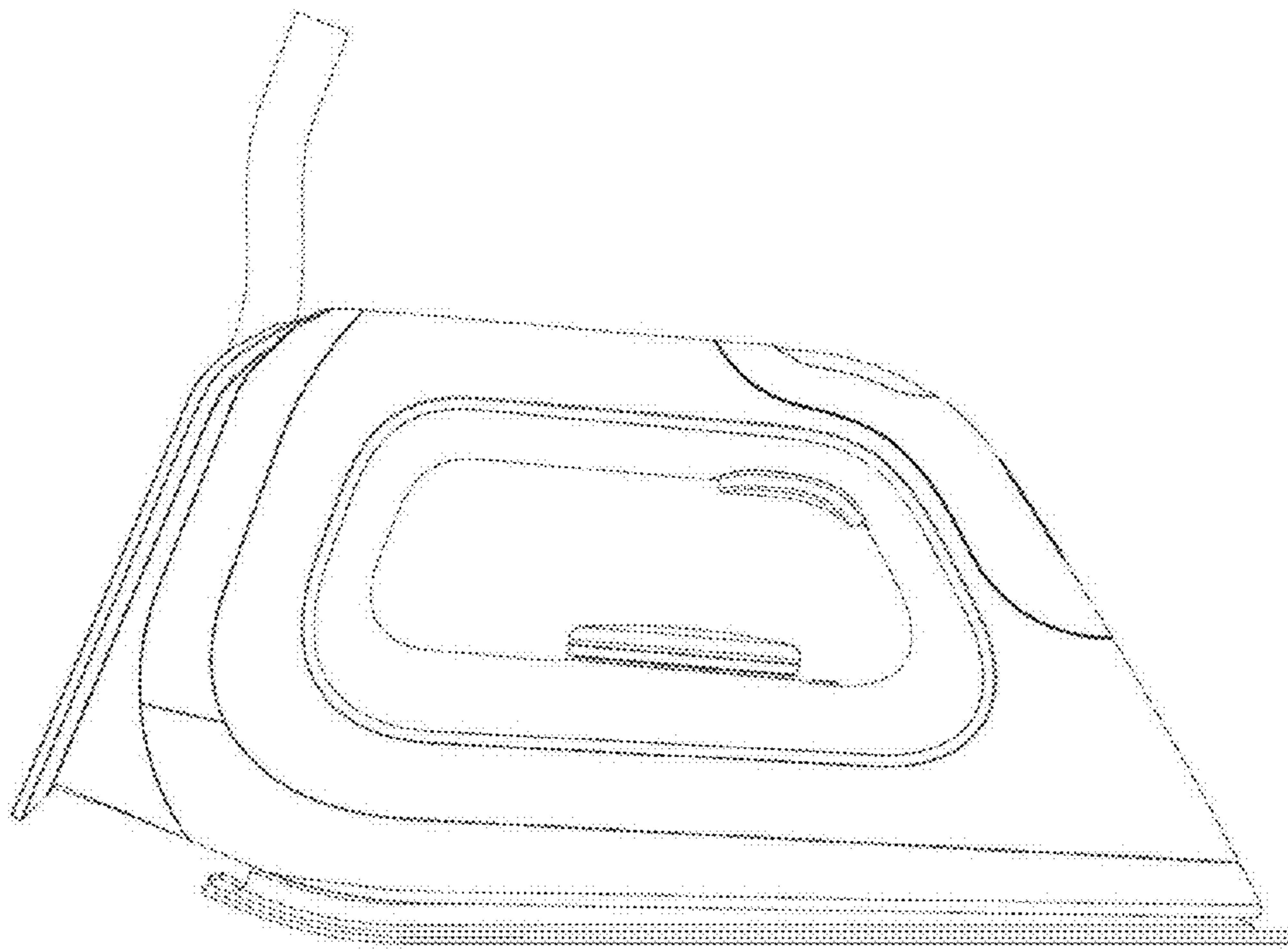


FIG. 4

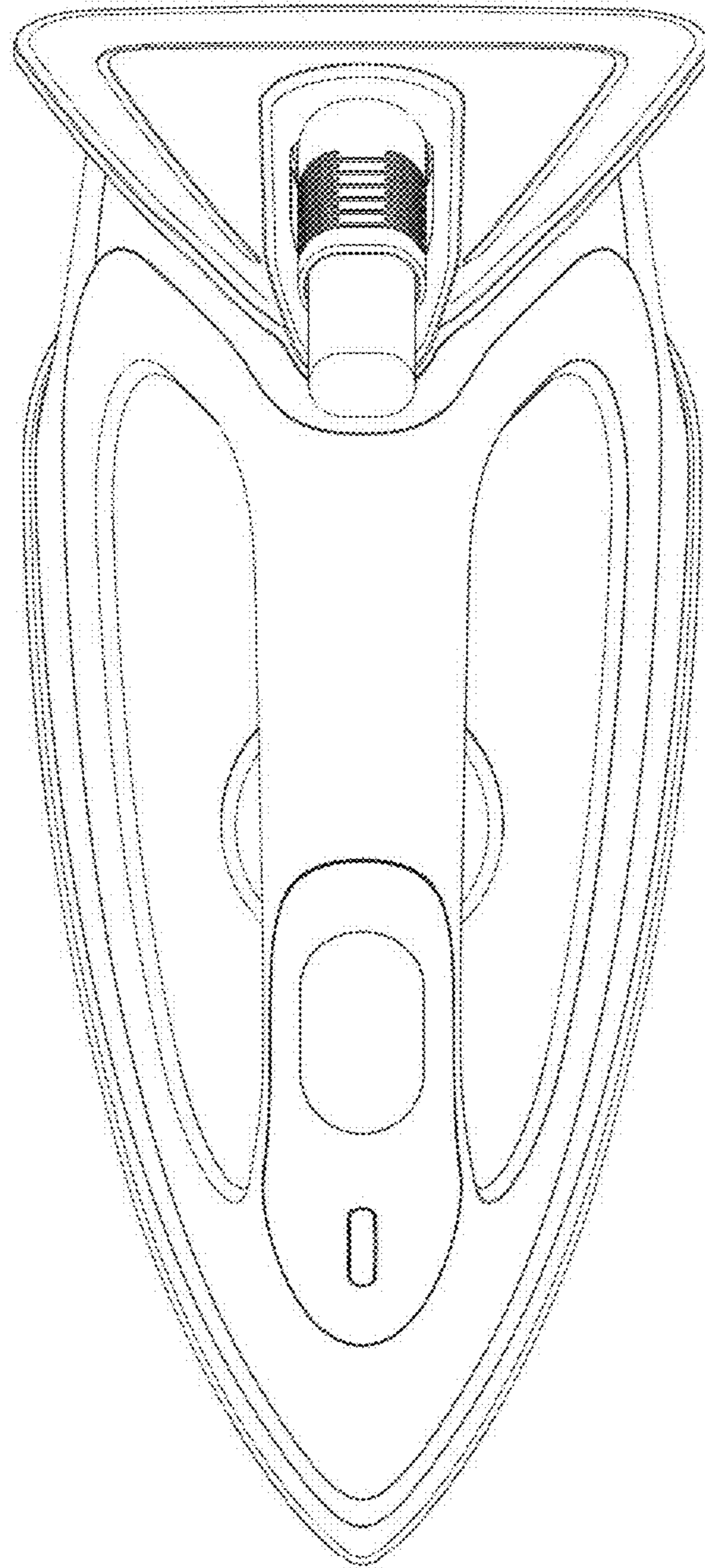


FIG. 5

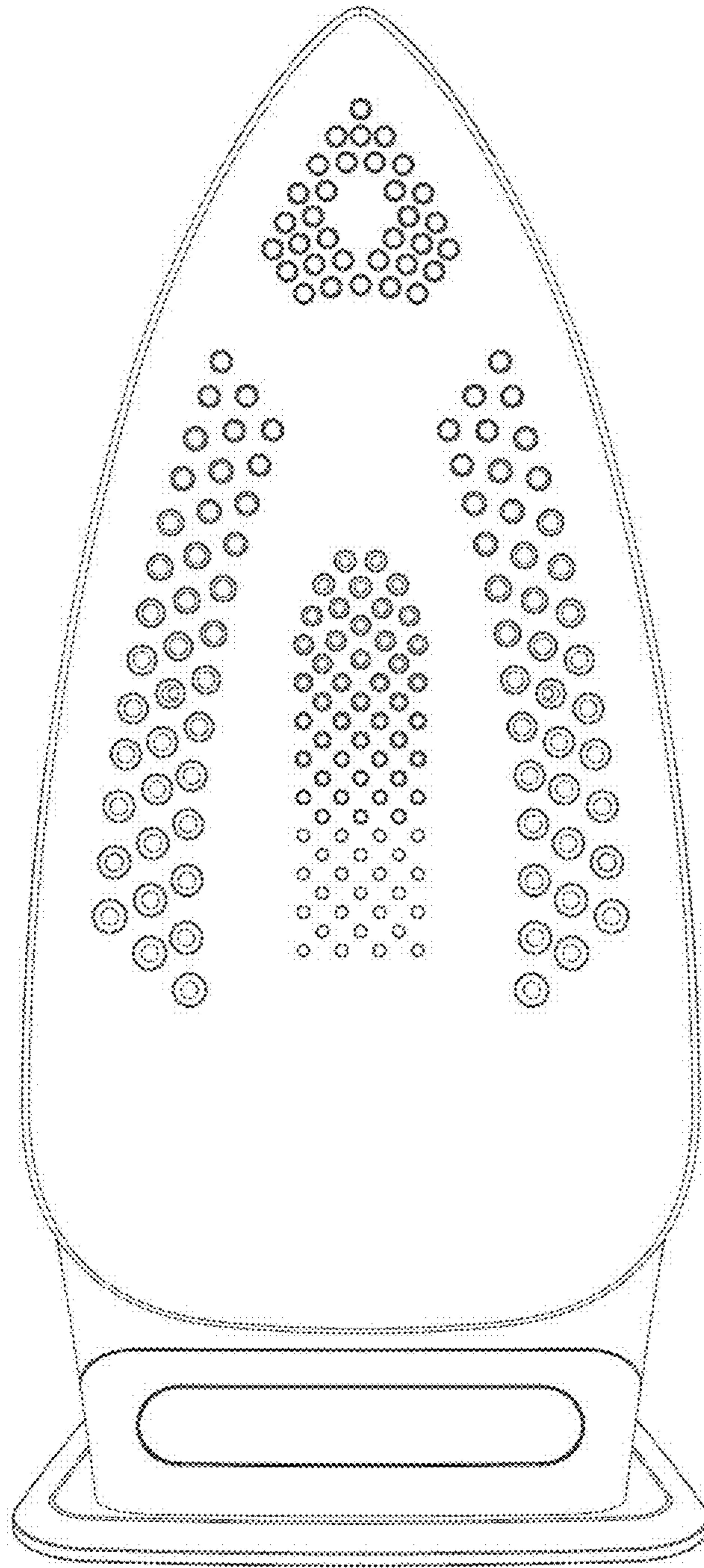


FIG. 6

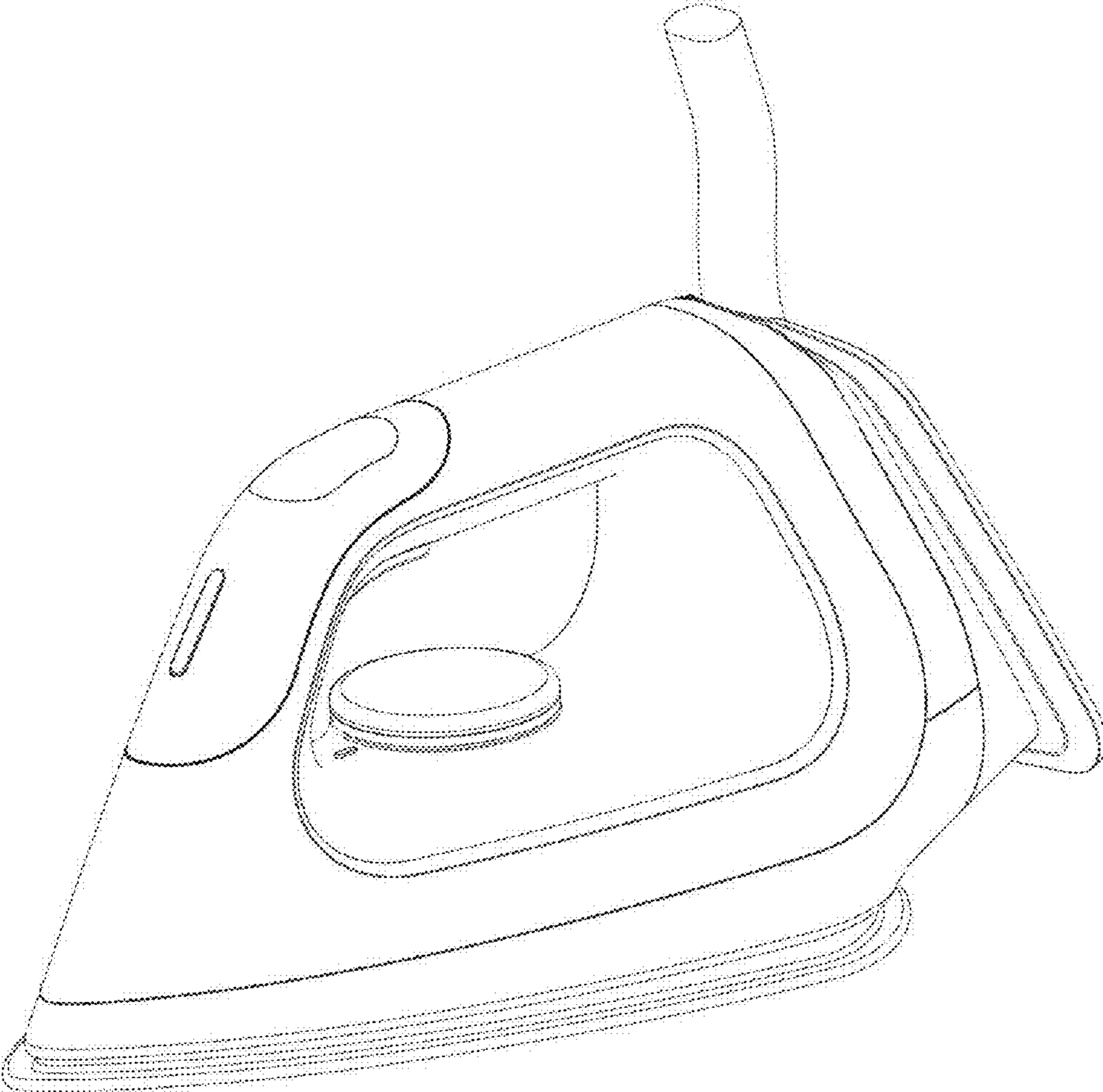


FIG. 7