



US00D739105S

(12) **United States Design Patent**
Cyrus

(10) **Patent No.:** **US D739,105 S**
(45) **Date of Patent:** **** Sep. 15, 2015**

- (54) **HOUSE RAKE**
- (71) Applicant: **Susanne M Cyrus**, Hemet, CA (US)
- (72) Inventor: **Susanne M Cyrus**, Hemet, CA (US)
- (**) Term: **14 Years**
- (21) Appl. No.: **29/492,406**
- (22) Filed: **May 30, 2014**
- (51) **LOC (10) Cl.** **08-99**
- (52) **U.S. Cl.**
USPC **D32/35; D32/40; D32/50; D8/13**
- (58) **Field of Classification Search**
USPC D8/1, 7, 9, 10, 11, 13; 172/380,
172/371-375, 378, 376; 7/114-116;
56/400.01, 400.04, 400.19, 400.21,
56/400.16, 400.17; D32/35, 40, 50
See application file for complete search history.

D585,166	S	*	1/2009	Strutt et al.	D32/25
D589,768	S	*	4/2009	Henderson	D8/13
D614,818	S	*	4/2010	Moore et al.	D30/158
D623,807	S	*	9/2010	Teren	D30/162
D652,273	S	*	1/2012	Hogan	D8/13
D652,590	S	*	1/2012	Pedlar	D32/25
D659,916	S	*	5/2012	Myerson	D30/162
D661,958	S	*	6/2012	Pizzeta	D8/11
D679,558	S	*	4/2013	Margeson	D8/1
D686,787	S	*	7/2013	Dabrushman	D30/162
D698,619	S	*	2/2014	Schnabel	D8/11
D711,204	S	*	8/2014	Masalin et al.	D8/13
D717,139	S	*	11/2014	Romero	D8/13
D718,583	S	*	12/2014	Macey et al.	D8/11
D719,420	S	*	12/2014	Masalin et al.	D8/13
D720,195	S	*	12/2014	Ethington et al.	D8/13
2007/0234700	A1	*	10/2007	Reyniers	56/400.01

* cited by examiner

Primary Examiner — John Windmuller

(57) **CLAIM**
The ornamental design for a house rake, as shown.

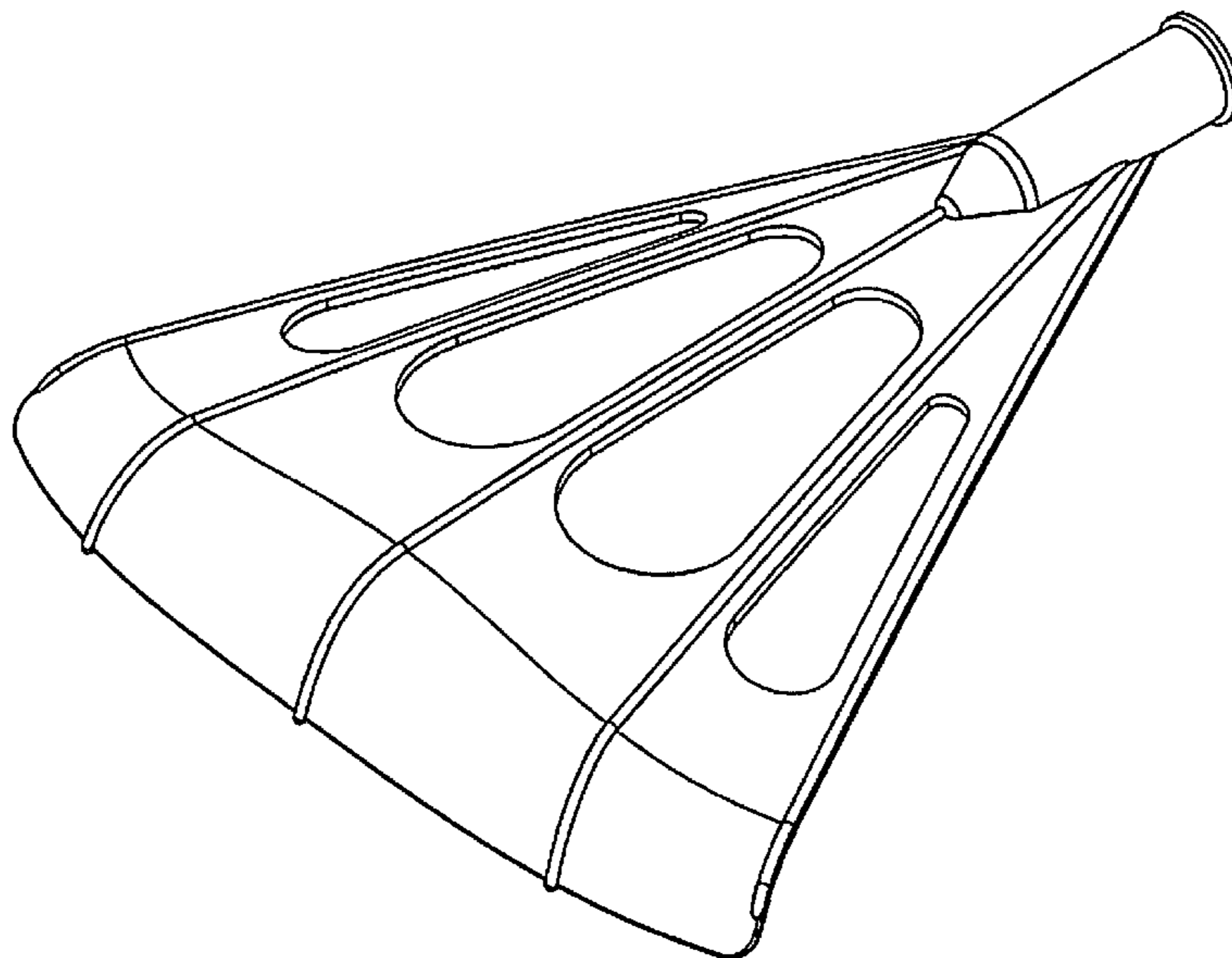
(56) **References Cited**
U.S. PATENT DOCUMENTS

D220,520	S	*	4/1971	Rothwell	D8/13
3,999,244	A	*	12/1976	Brickley	15/142
D282,859	S	*	3/1986	Burhop	D21/532
D292,261	S	*	10/1987	Mitton	D8/13
D317,854	S	*	7/1991	Pifalo	D8/11
D353,979	S	*	1/1995	Sargeant	D8/13
D374,382	S	*	10/1996	Smith	D8/13
D385,465	S	*	10/1997	Willis	D8/13
5,937,473	A	*	8/1999	Lisowski	15/236.08
D418,726	S	*	1/2000	White, Jr.	D8/13
D480,519	S	*	10/2003	Firth	D30/162
D485,025	S	*	1/2004	Edwards et al.	D30/162
D504,597	S	*	5/2005	Barajas	D8/13
D505,304	S	*	5/2005	Conaway et al.	D8/13
D514,902	S	*	2/2006	Conaway et al.	D8/13
D517,876	S	*	3/2006	DeWinter et al.	D8/13
D577,967	S	*	10/2008	Norton et al.	D8/13
D579,289	S	*	10/2008	Norton et al.	D8/13

DESCRIPTION

FIG. 1 is a back view of the house rake showing my new design.
 FIG. 2 is a left view of the house rake showing my new design.
 FIG. 3 is a right view of the house rake showing my new design.
 FIG. 4 is a top view of the house rake showing my new design.
 FIG. 5 is a perspective view of the house rake showing my new design.
 FIG. 6 is a perspective view of the house rake showing my new design.
 FIG. 7 is a bottom view of the house rake showing my new design; and,
 FIG. 8 is a front view of the house rake showing my new design.

1 Claim, 8 Drawing Sheets



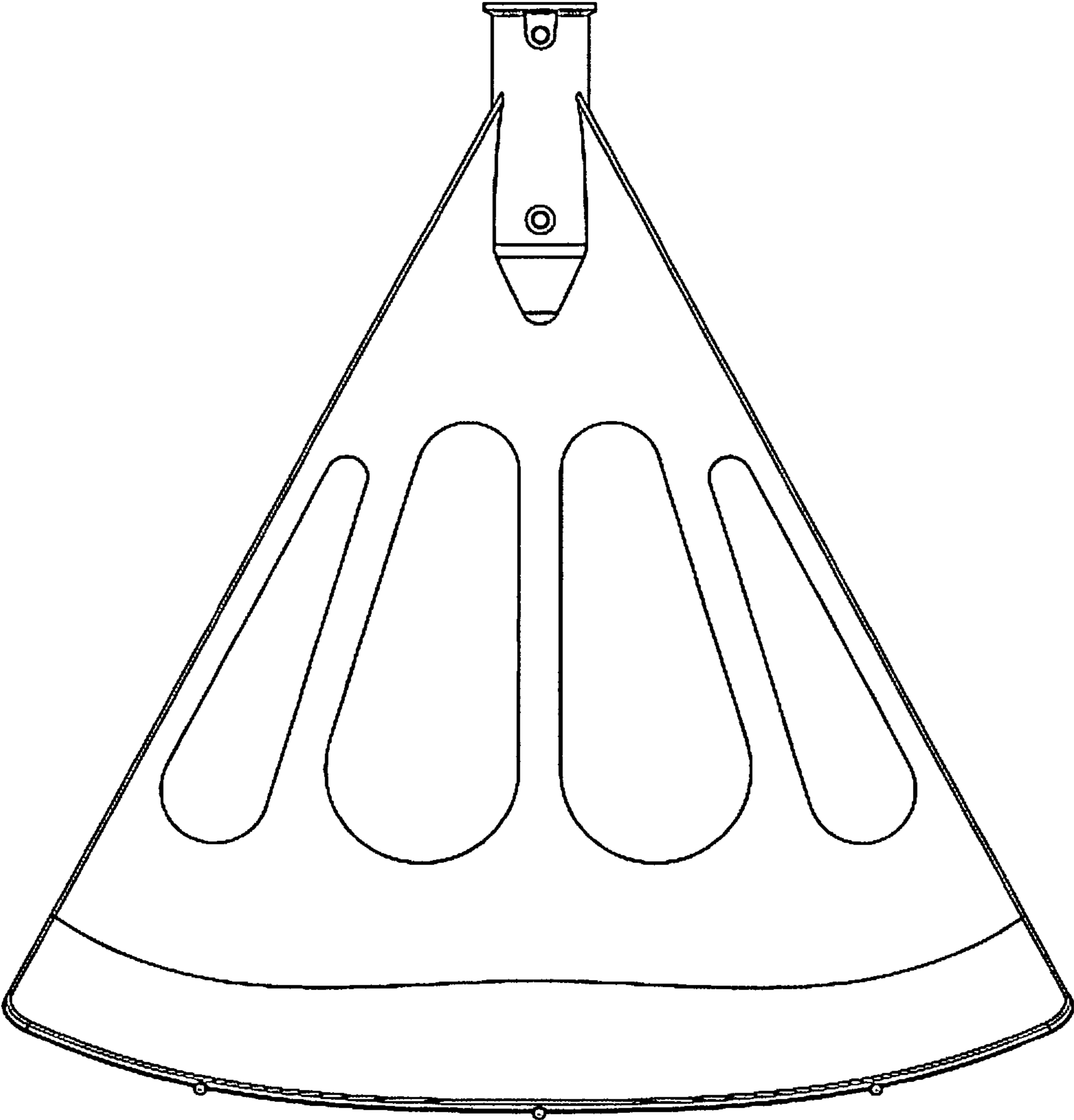


FIG. 1

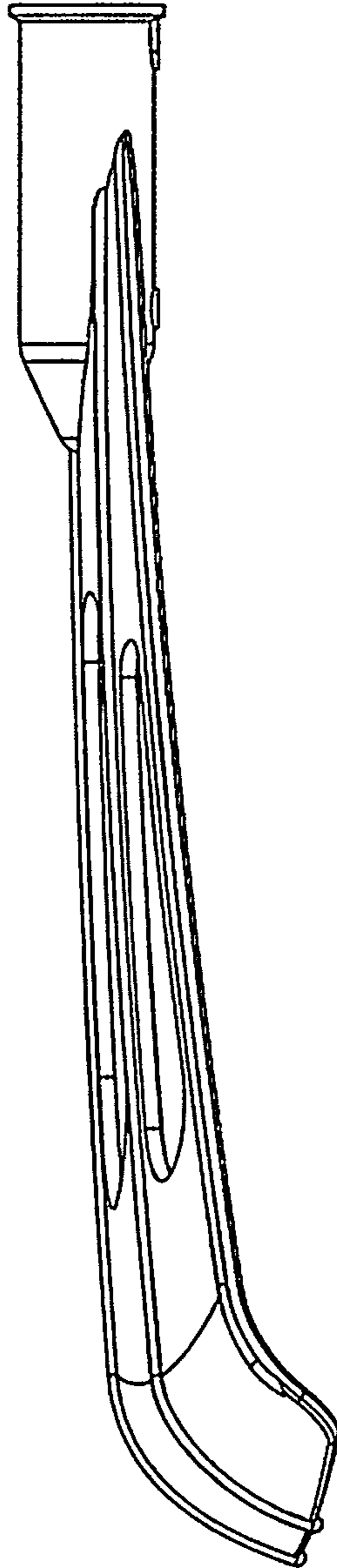


FIG. 2

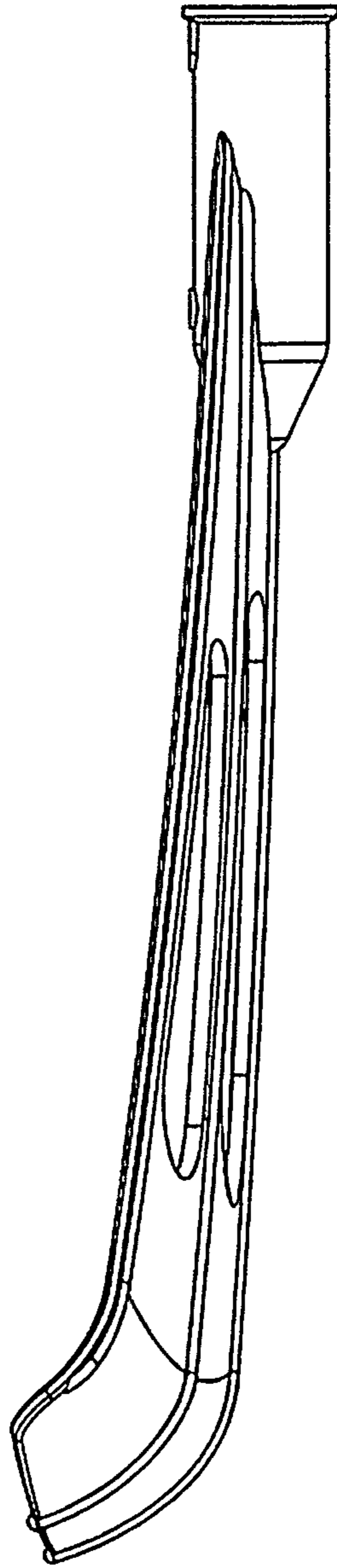


FIG. 3

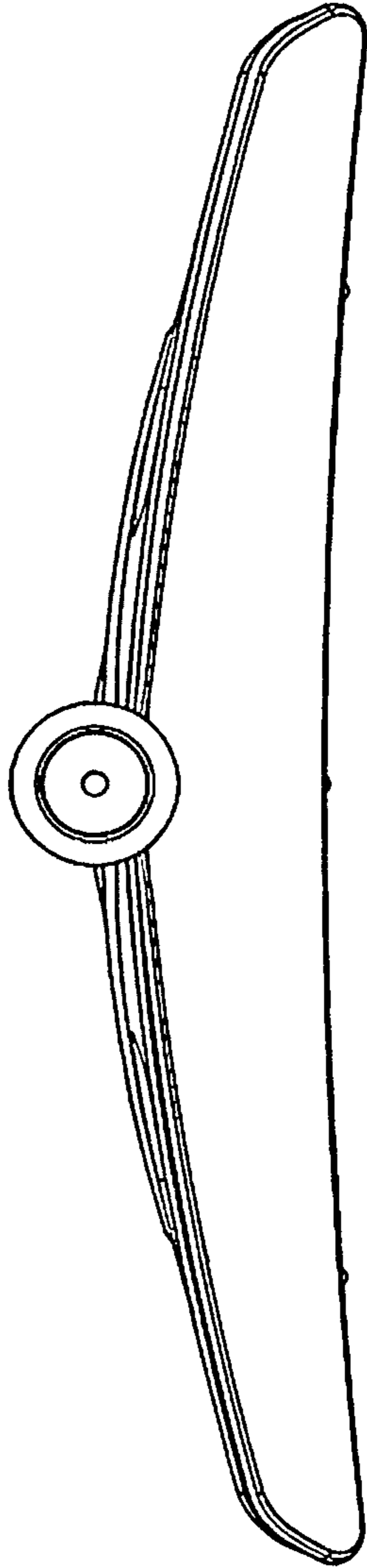


FIG. 4

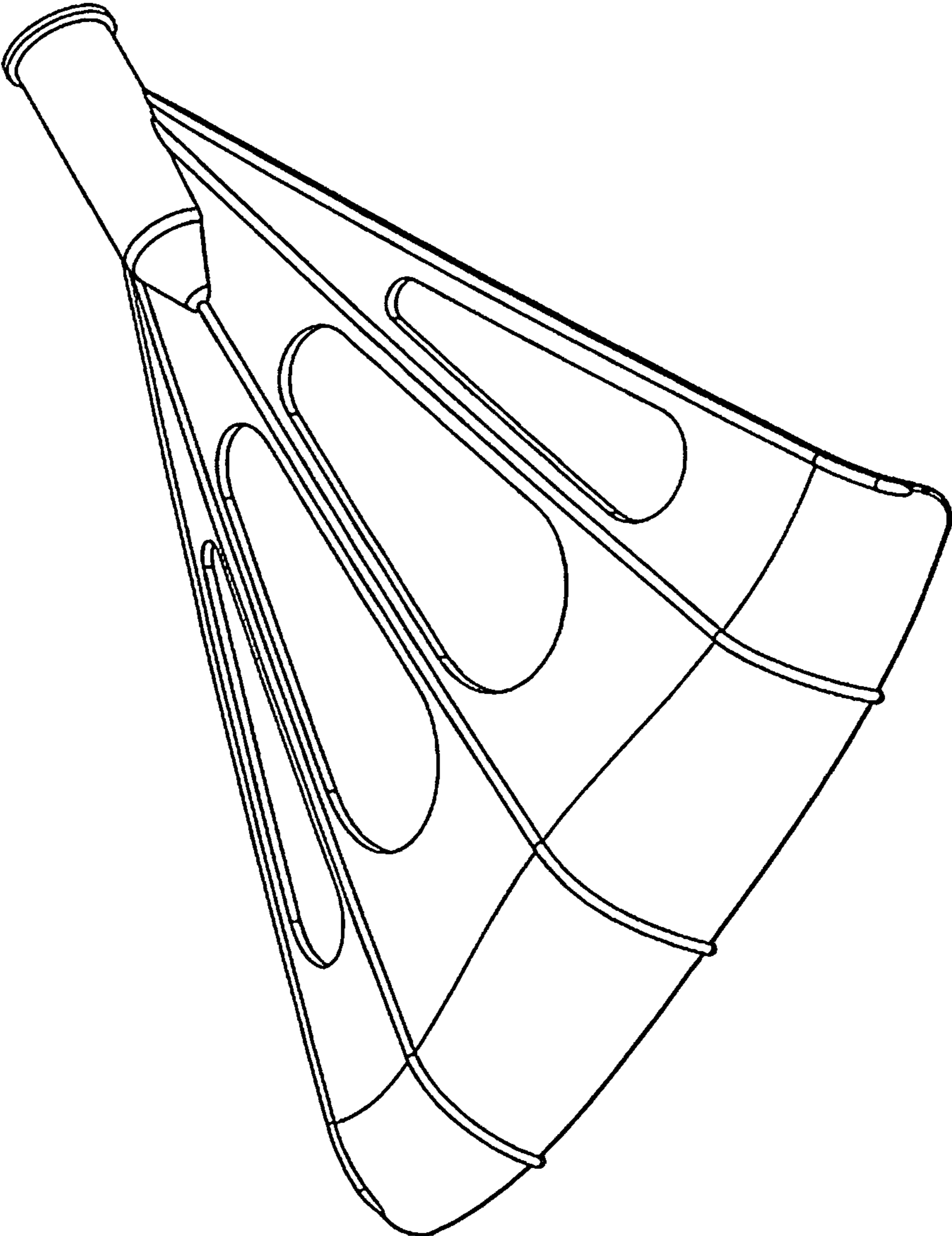


FIG. 5

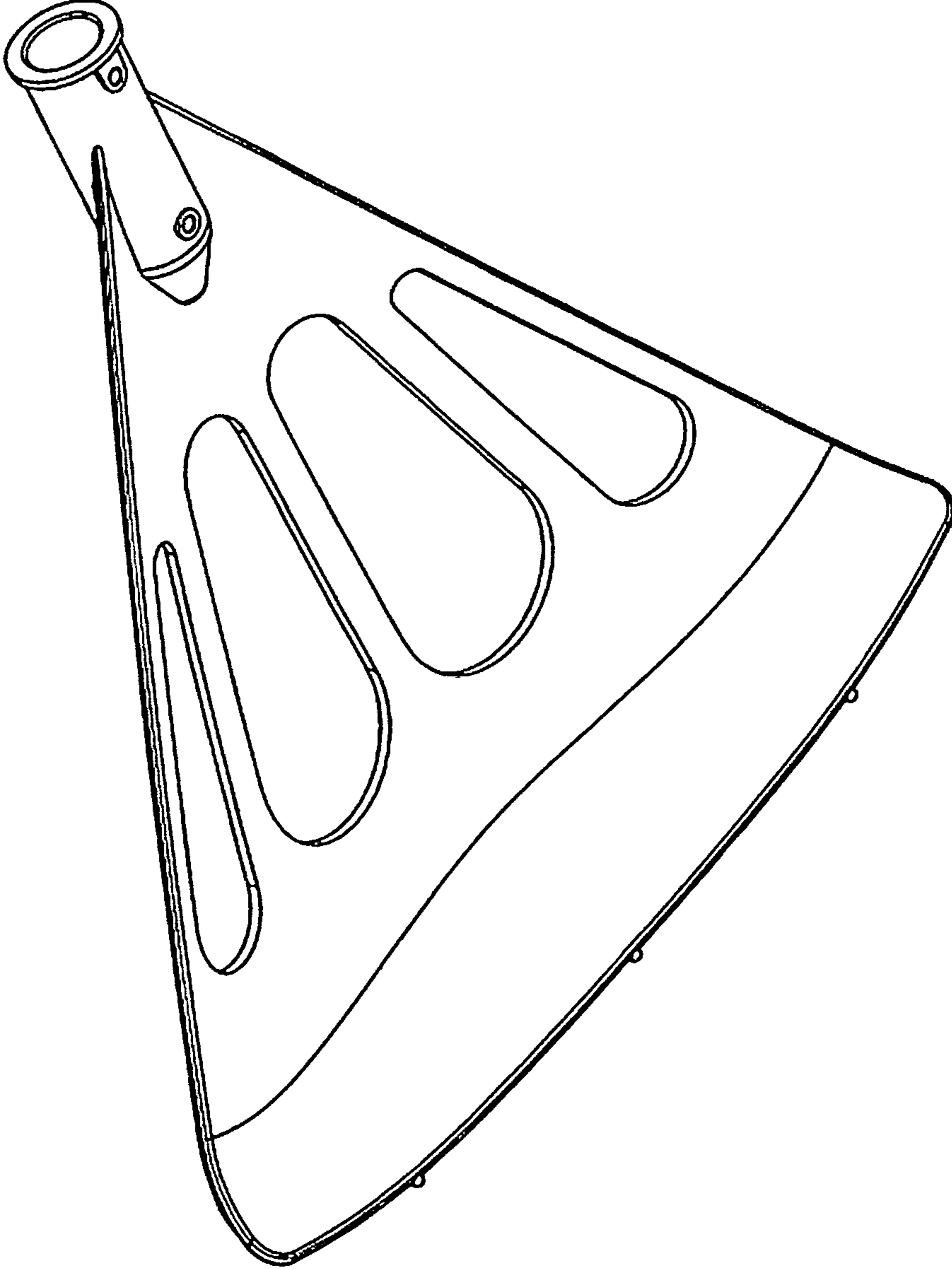


FIG. 6

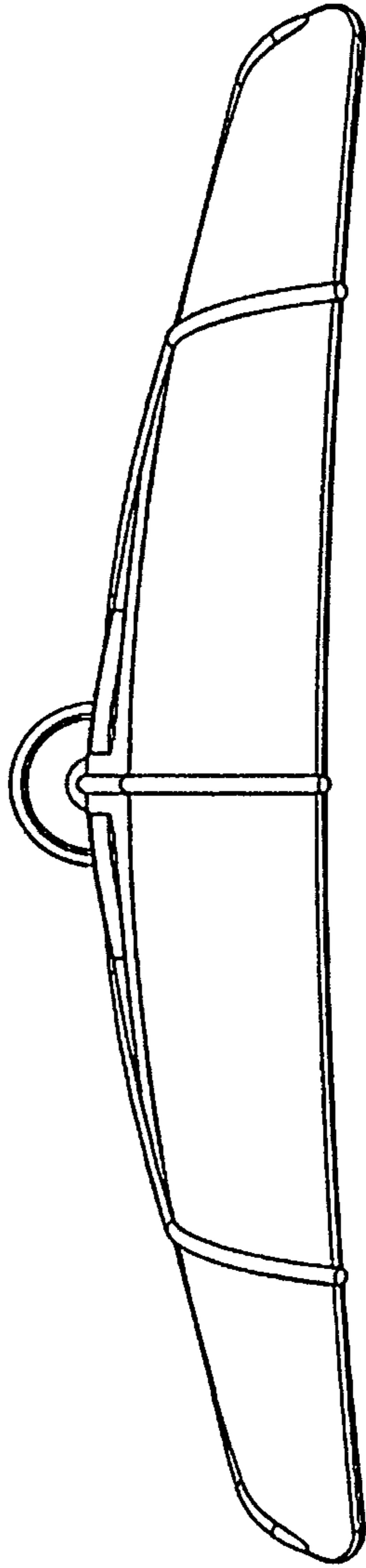


FIG. 7

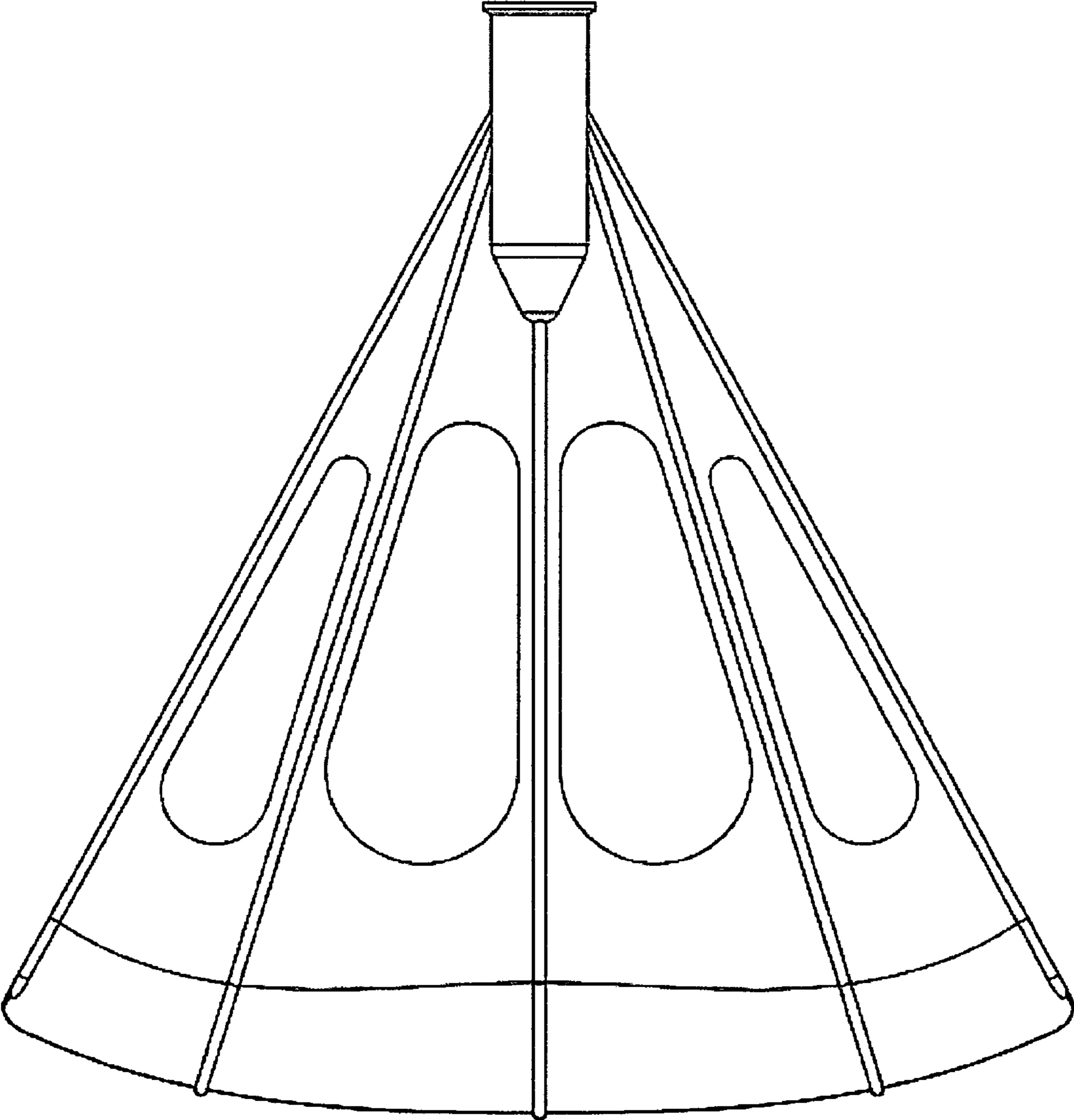


FIG. 8