



US00D739102S

(12) **United States Design Patent**
Dyson et al.

(10) **Patent No.:** **US D739,102 S**
(45) **Date of Patent:** **** Sep. 15, 2015**

(54) **PART OF A VACUUM CLEANER**

(71) Applicant: **Dyson Technology Limited**, Wiltshire (GB)

(72) Inventors: **James Dyson**, Bristol (GB); **Jonathan George Marsh**, Swindon (GB); **Peter David Gammack**, Swindon (GB); **Stephen Robert Dimbylow**, Swindon (GB)

(73) Assignee: **Dyson Technology Limited**, Malmesbury, Wiltshire (GB)

(**) Term: **14 Years**

(21) Appl. No.: **29/500,108**

(22) Filed: **Aug. 21, 2014**

(30) **Foreign Application Priority Data**

Feb. 21, 2014 (EM) 002410019-0001

(51) **LOC (10) Cl.** **15-05**

(52) **U.S. Cl.**
USPC **D32/21**

(58) **Field of Classification Search**
USPC D32/1, 15-16, 21-22, 31, 34; D30/158
CPC A47L 5/24; A47L 5/362; A47L 15/28;
A47L 9/325; A47L 9/2857; A47L 9/1427;
A47L 15/14; A47L 9/2884; A47L 9/1666;
A47L 9/1683; A47L 9/1625; A47L 9/22;
B26B 19/44; B60S 3/002; F28G 3/166;
B01D 50/002; B01D 45/12

See application file for complete search history.

(56) **References Cited**

U.S. PATENT DOCUMENTS

D577,163	S	*	9/2008	Dyson et al.	D32/21
7,931,716	B2	*	4/2011	Oakham	55/337
D668,010	S	*	9/2012	Stickney et al.	D32/18
D668,823	S	*	10/2012	Stickney et al.	D32/18
8,925,145	B2	*	1/2015	Wilson	15/347
2009/0307863	A1	*	12/2009	Milne et al.	15/344
2010/0253264	A1	*	10/2010	Clothier et al.	318/400.14
2014/0097323	A1	*	4/2014	Lamb	248/634
2014/0137364	A1	*	5/2014	Stickney et al.	15/347
2014/0328670	A1	*	11/2014	Lamb	415/119
2014/0366286	A1	*	12/2014	Zheng et al.	15/3

* cited by examiner

Primary Examiner — Ruth McInroy

(74) *Attorney, Agent, or Firm* — Morrison & Foerster LLP

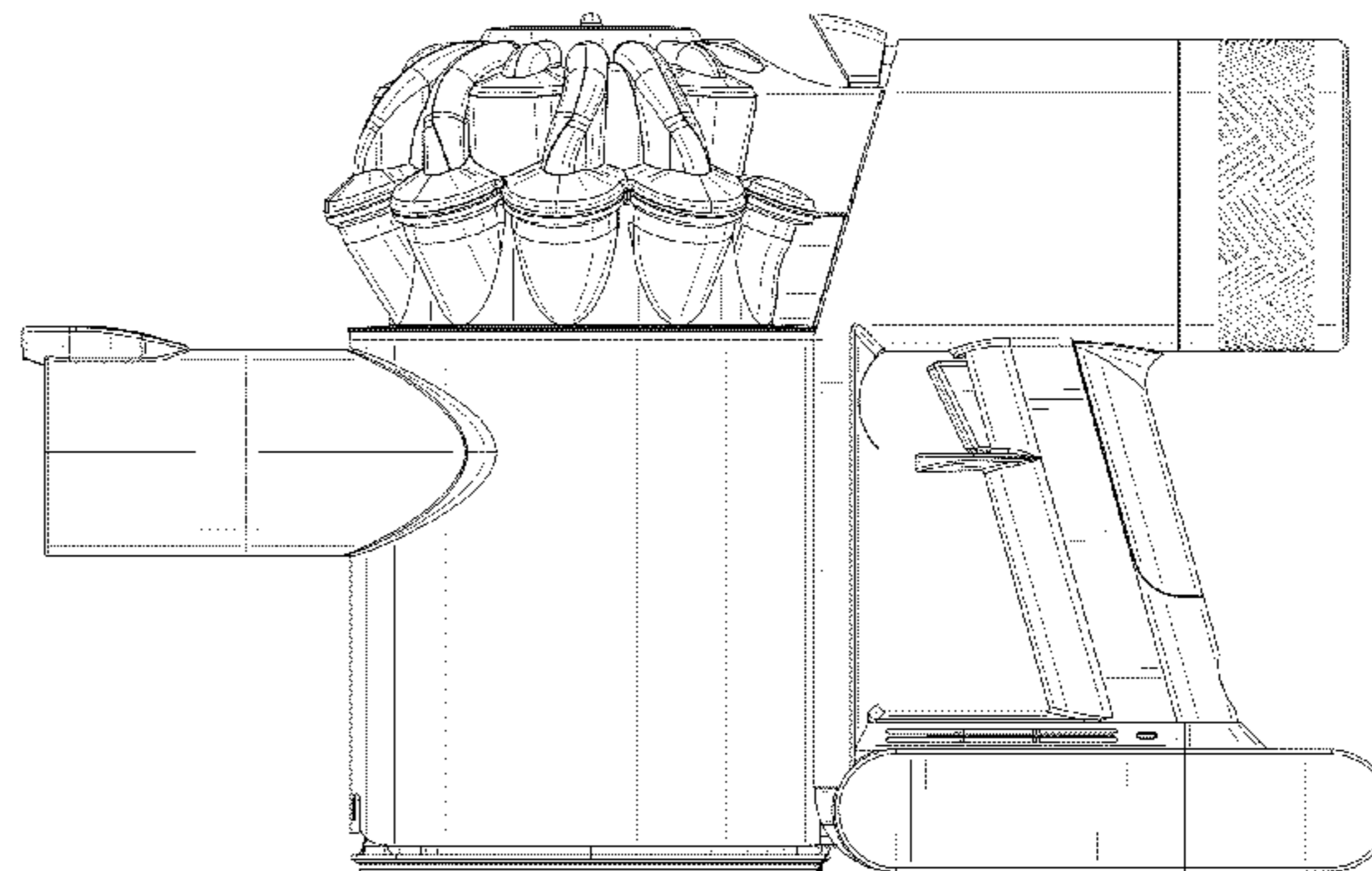
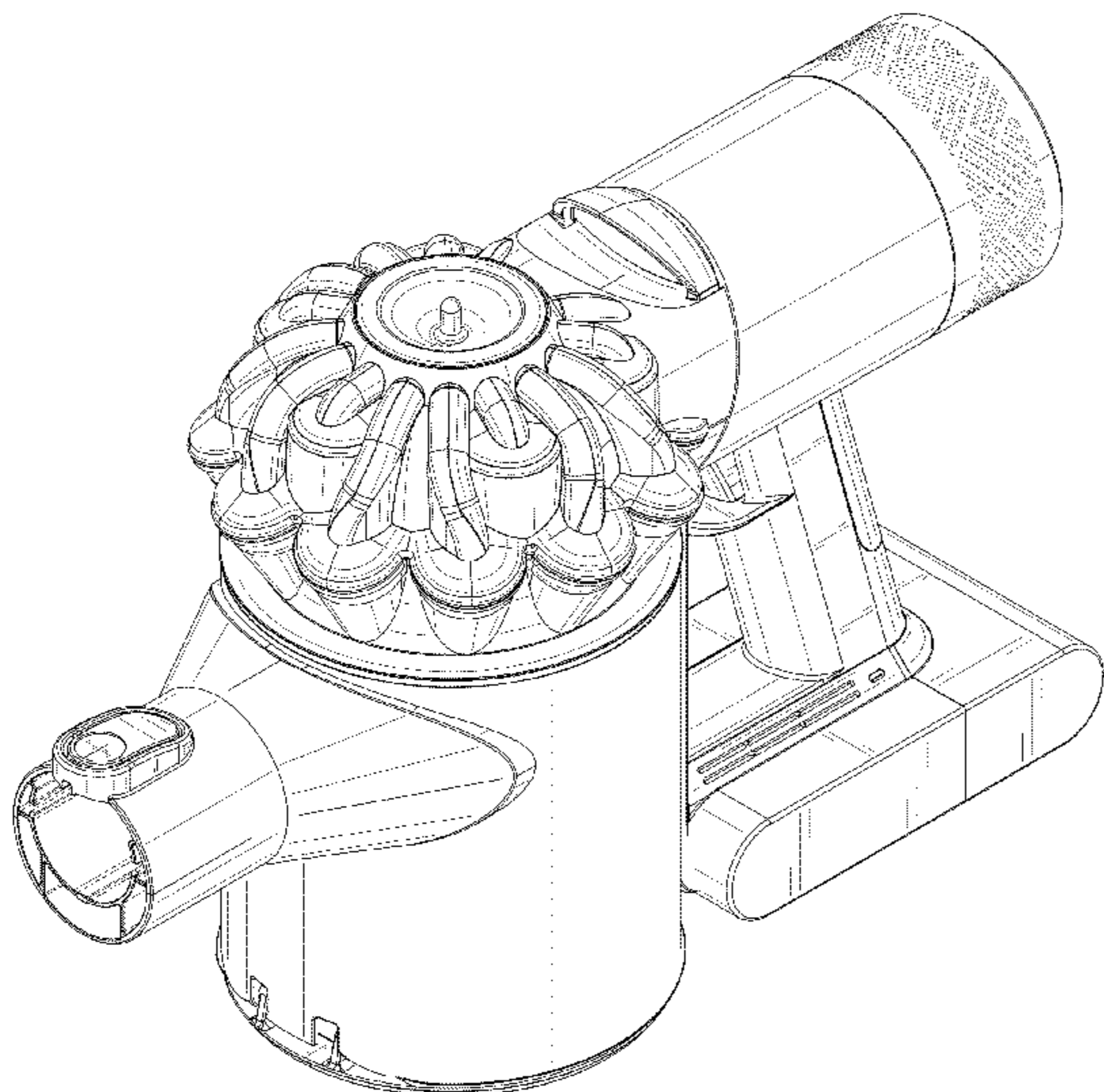
(57) **CLAIM**

We claim the ornamental design for a part of a vacuum cleaner, as shown and described.

DESCRIPTION

FIG. 1 is a perspective view of a part of a vacuum cleaner showing our new design;
FIG. 2 is a side view thereof;
FIG. 3 is a side view of the opposite side of FIG. 2;
FIG. 4 is a front view thereof;
FIG. 5 is a rear view thereof;
FIG. 6 is a top view thereof; and,
FIG. 7 is a bottom view thereof.

1 Claim, 5 Drawing Sheets



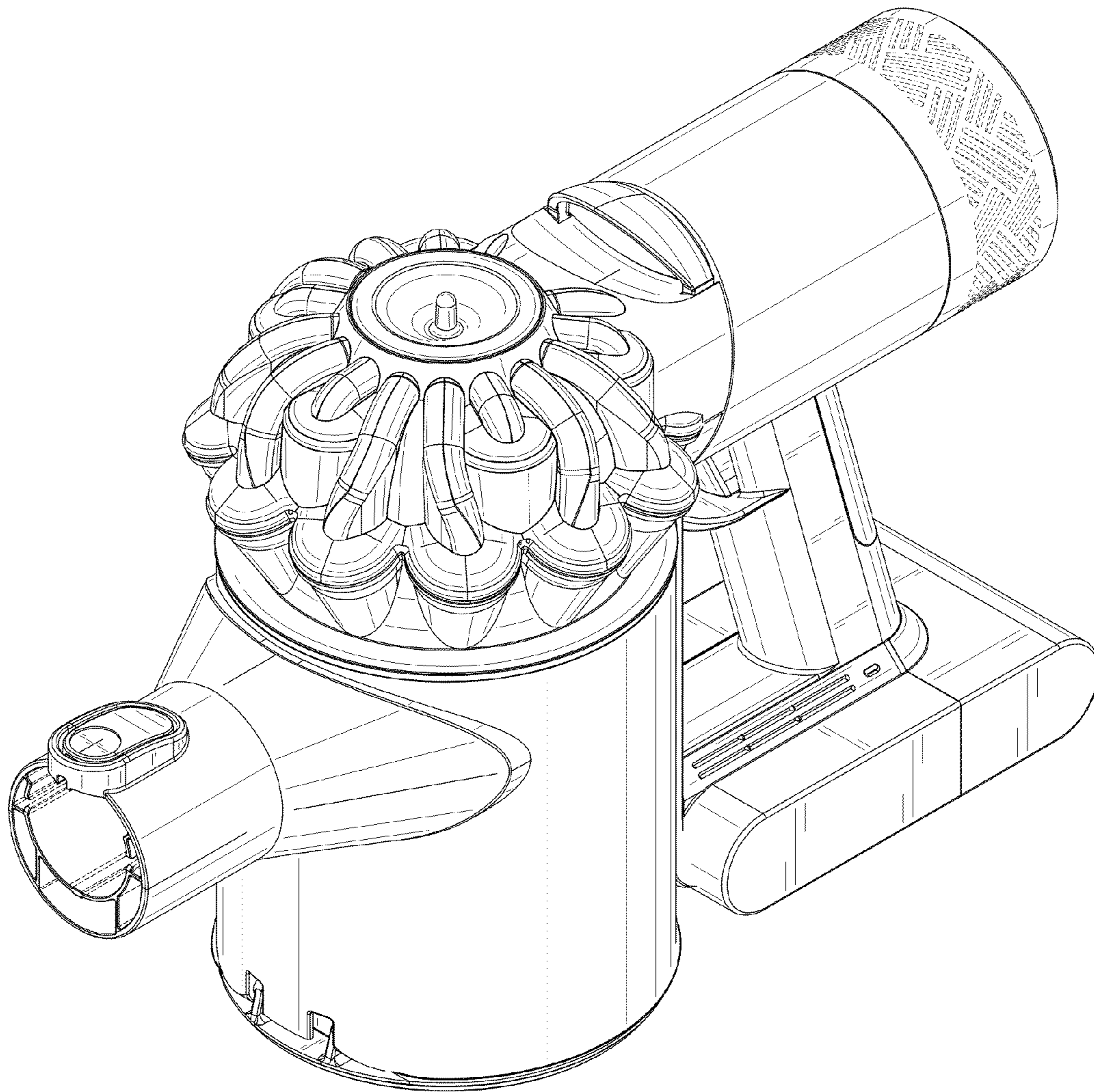


FIG. 1

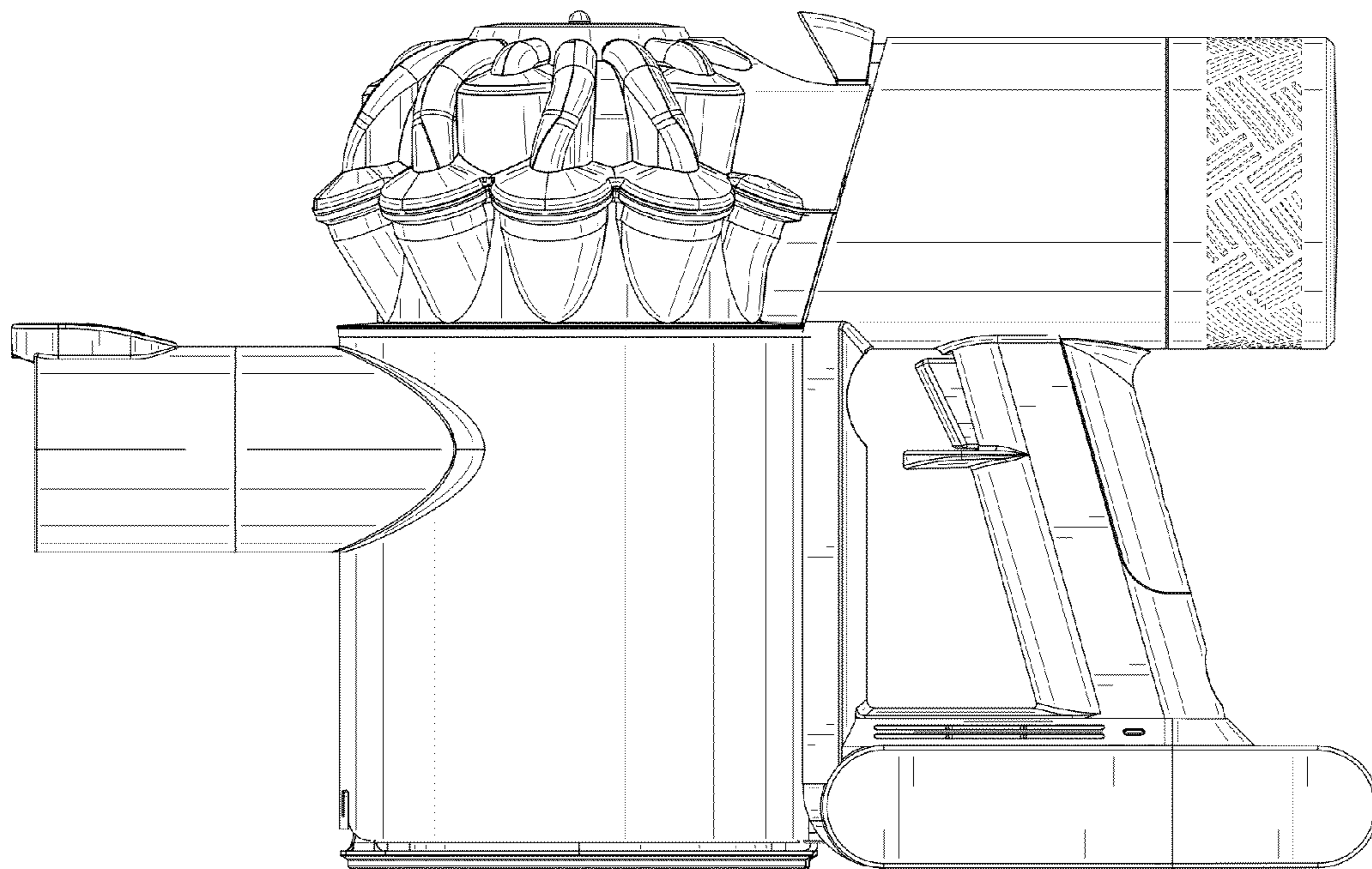


FIG. 2

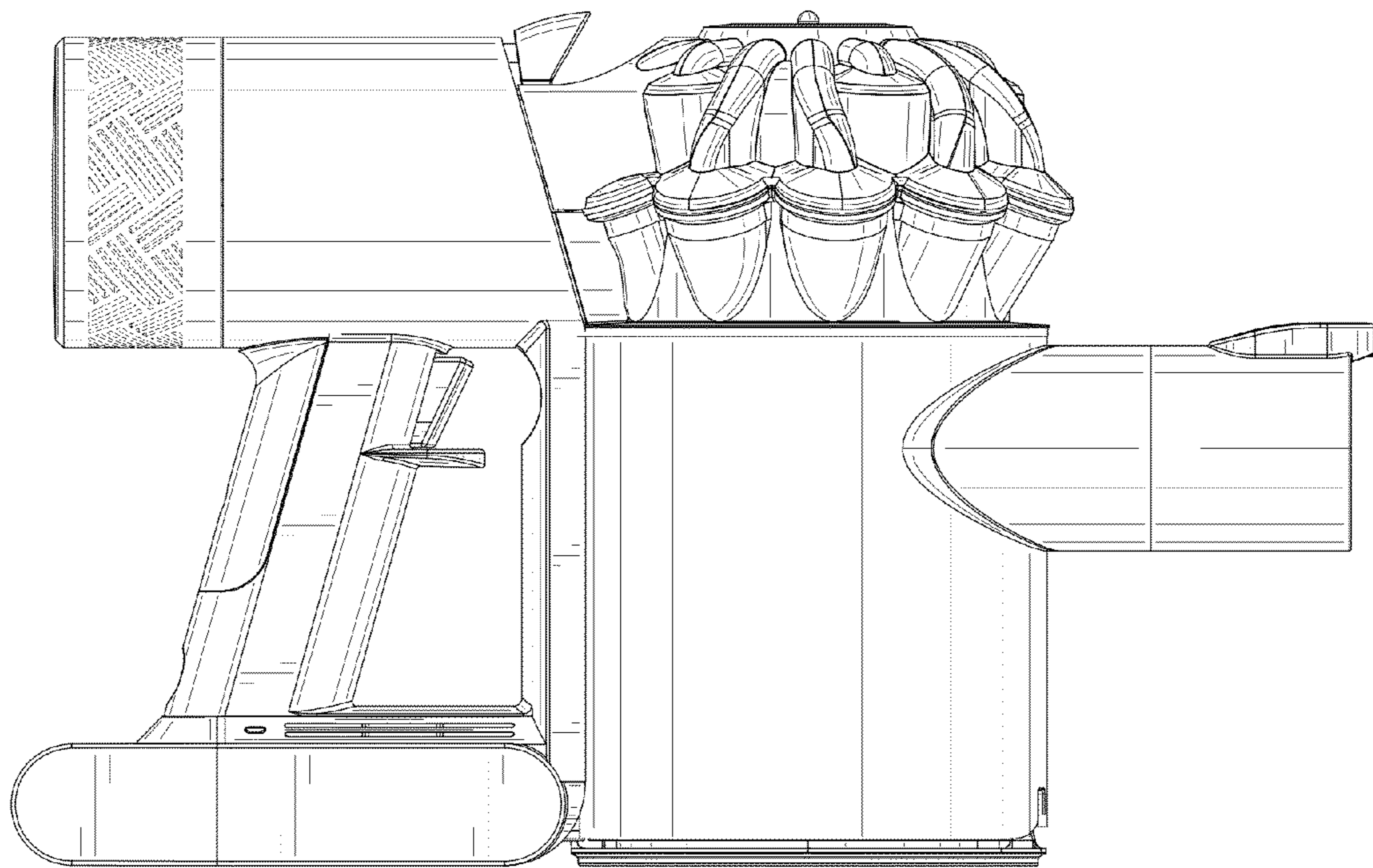


FIG. 3

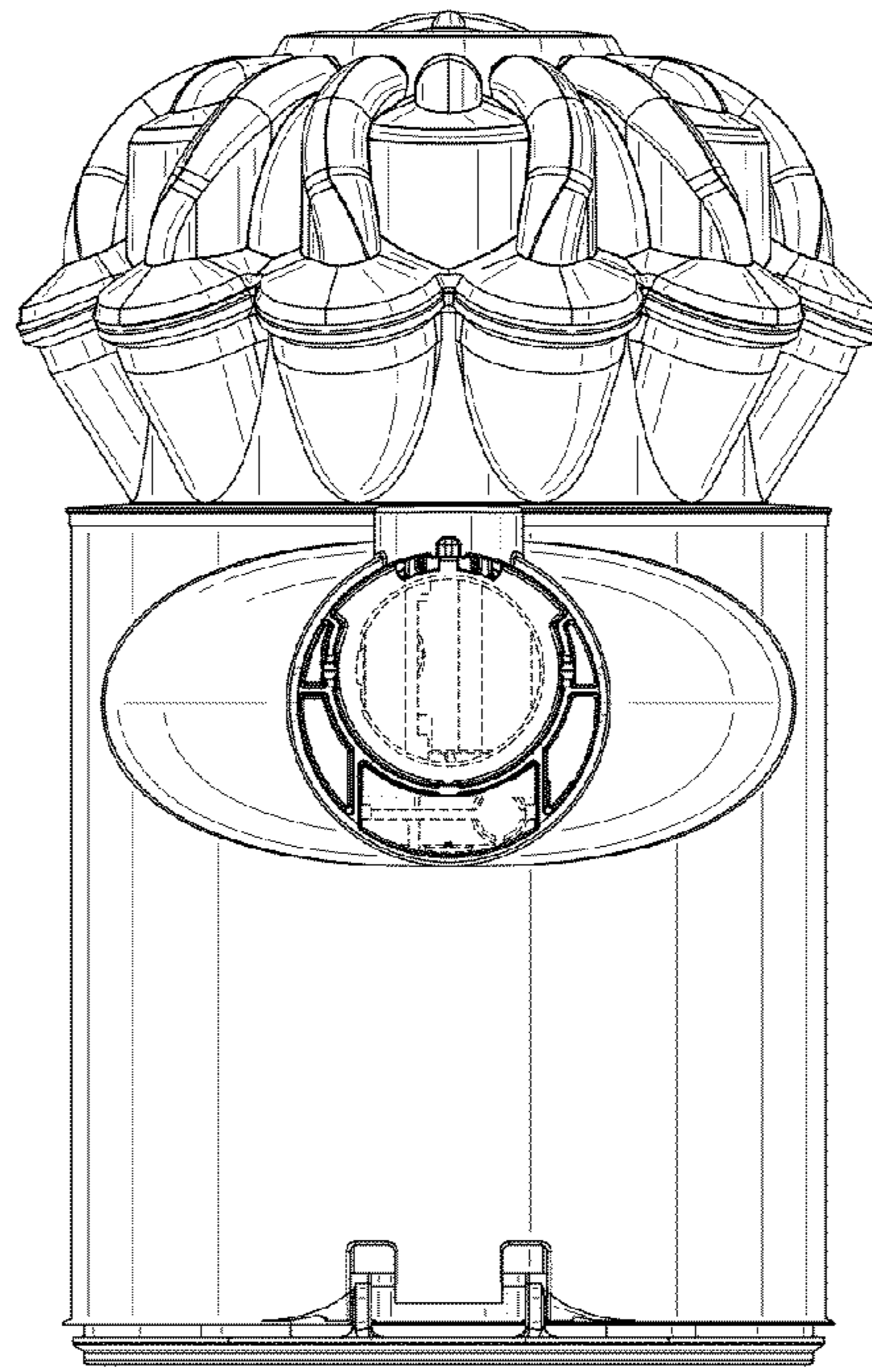


FIG. 4

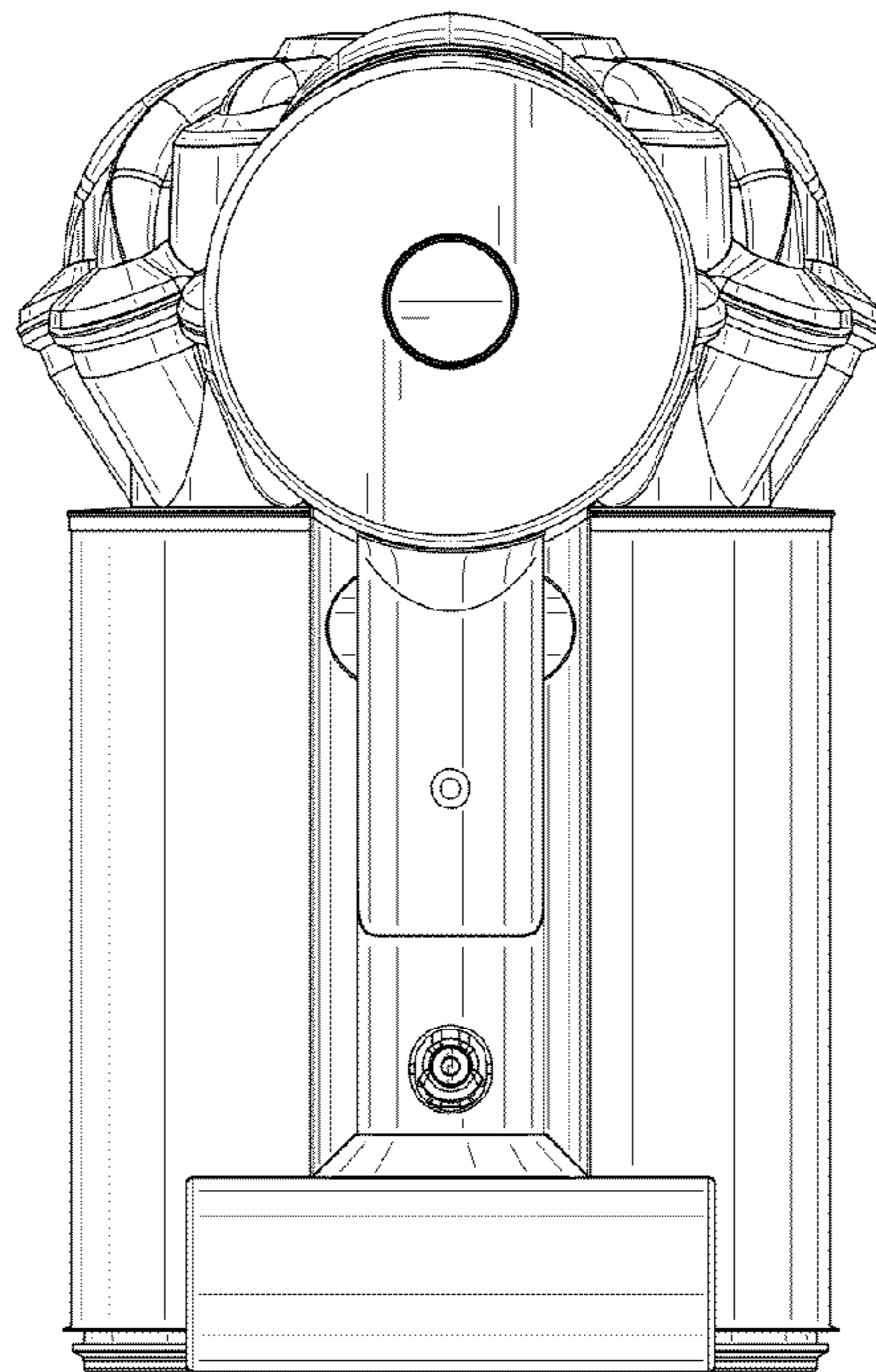


FIG. 5

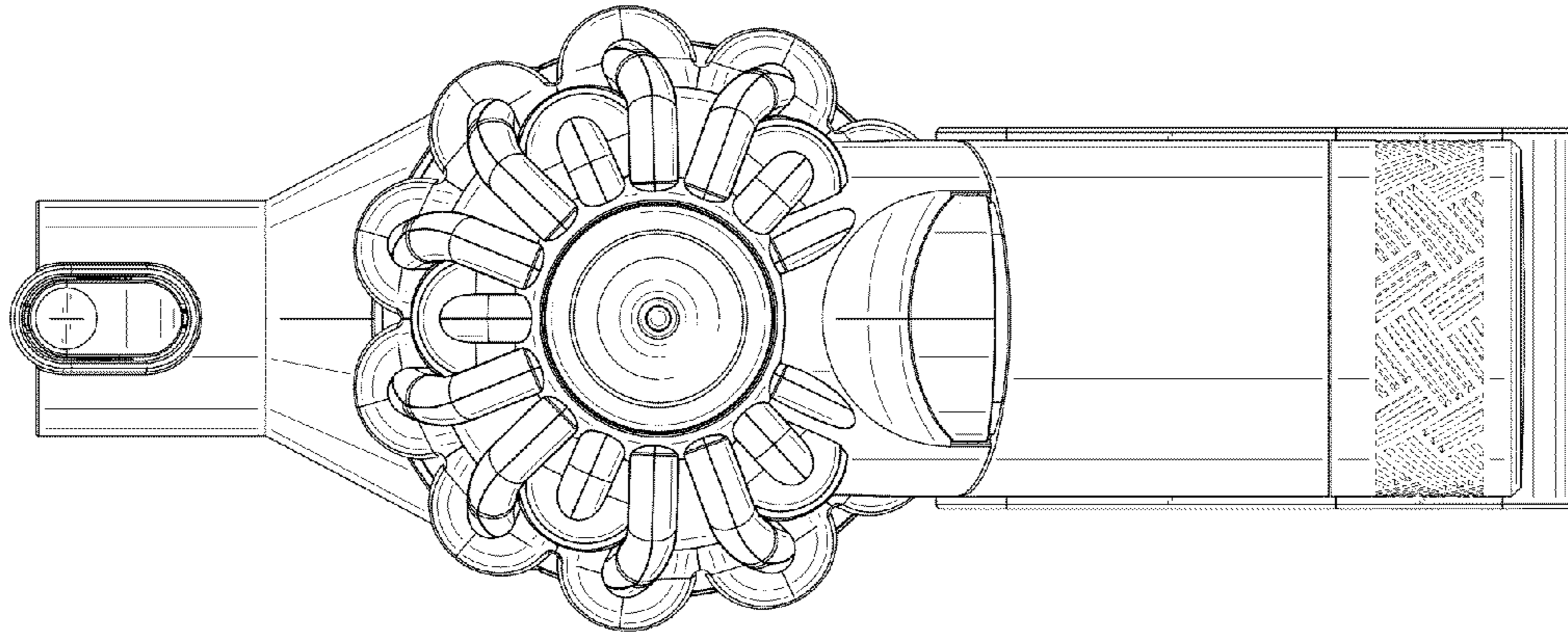


FIG. 6

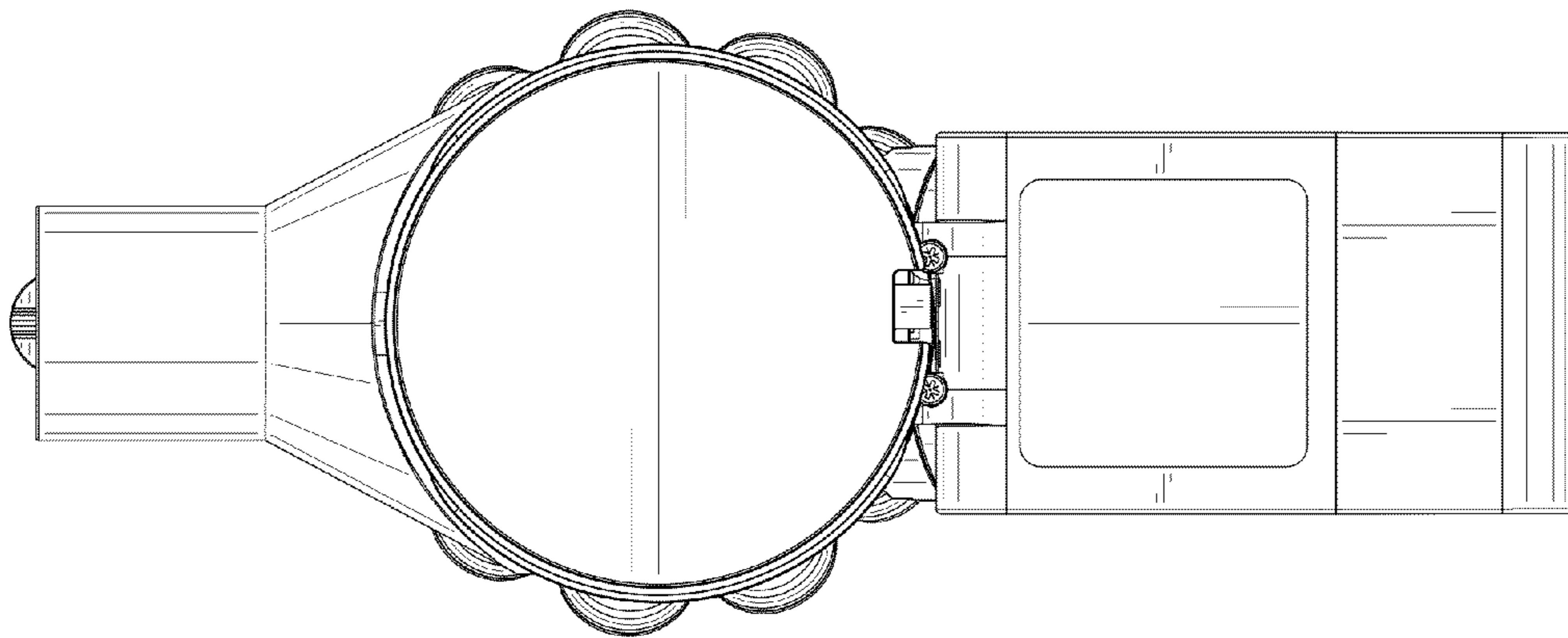


FIG. 7