



US00D739100S

(12) **United States Design Patent**
Tatic et al.

(10) **Patent No.:** **US D739,100 S**
(45) **Date of Patent:** **** Sep. 15, 2015**

(54) **PRESSURE WASHER**

FOREIGN PATENT DOCUMENTS

(71) Applicant: **Robert Bosch GmbH**, Stuttgart (DE)

WO WO D061633-002 * 7/2002

(72) Inventors: **Aleksander Tatic**, Milan (IT);

WO WO D071956-007 * 6/2009

Alessandro Cereda, Giussano (IT)

WO WO D071956-002 * 6/2010

(73) Assignee: **Robert Bosch GmbH**, Stuttgart, DE
(US)

OTHER PUBLICATIONS

(**) Term: **14 Years**

Amazon.com : Karcher X-Series Electric Pressure Washer, review date Oct. 29, 2011, online, <http://www.amazon.com/Karcher-X-Series-featuring-Industrys-Induction/dp/B004P5POIO#customerReviews>, [site visited Feb. 24, 2015 8:53:24 PM].*

(21) Appl. No.: **29/452,024**

(Continued)

(22) Filed: **Apr. 11, 2013**

Primary Examiner — John Windmuller

Assistant Examiner — John R Yeh

(30) **Foreign Application Priority Data**

(74) *Attorney, Agent, or Firm* — Maginot, Moore & Beck LLP

Oct. 11, 2012 (EM) 002117325

(51) **LOC (10) Cl.** **15-05**

(52) **U.S. Cl.**

USPC **D32/16; D32/15**

(58) **Field of Classification Search**

USPC D32/15-16, 1, 6, 2, 12; 8/931; 68/5 C, 68/13 R, 27-28; 15/320, 213-214, 323, 15/3.5; D15/199; D24/217

CPC A47L 7/0036

See application file for complete search history.

(57) **CLAIM**

The ornamental design for a pressure washer, as shown and described.

DESCRIPTION

FIG. 1 is a perspective view of a pressure washer showing our new design;

FIG. 2 is a right side elevational view showing the design for the pressure washer of FIG. 1;

FIG. 3 is a front elevational view showing the design for the pressure washer of FIG. 1;

FIG. 4 is a left side elevational view showing the design for the pressure washer of FIG. 1;

FIG. 5 is a rear elevational view showing the design for the pressure washer of FIG. 1;

FIG. 6 is a top elevational view showing the design for the pressure washer of FIG. 1; and,

FIG. 7 is a bottom elevational view showing the design for the pressure washer of FIG. 1.

The broken lines shown in the drawings illustrate portions of the pressure washer that form no part of the claimed design.

(56) **References Cited**

U.S. PATENT DOCUMENTS

D481,838 S * 11/2003 Renner D32/15

D489,497 S * 5/2004 Cattaneo D32/15

D490,948 S * 6/2004 Cattaneo D32/15

D520,687 S * 5/2006 Ricker et al. D32/15

D521,694 S * 5/2006 Ricker et al. D32/15

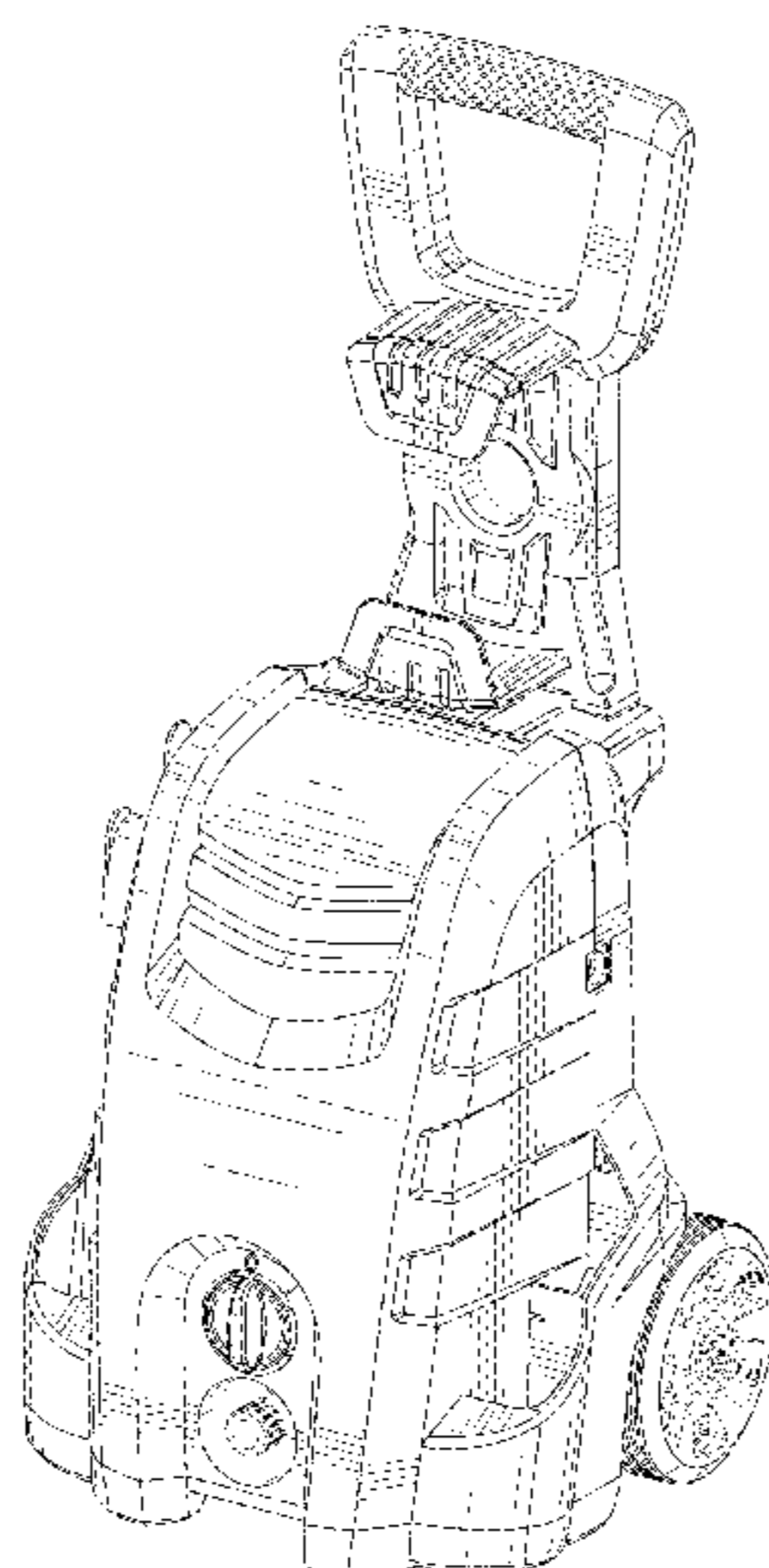
D532,166 S * 11/2006 Reverberi D32/4

D551,812 S * 9/2007 Renner D32/15

D551,813 S * 9/2007 Renner D32/15

(Continued)

1 Claim, 7 Drawing Sheets



(56)

References Cited

OTHER PUBLICATIONS

U.S. PATENT DOCUMENTS

D551,814 S * 9/2007 Renner D32/15
D563,612 S * 3/2008 Li D32/15
D564,146 S * 3/2008 Li D32/15
D564,147 S * 3/2008 Li D32/15
D570,060 S * 5/2008 Renner et al. D32/15
D591,014 S * 4/2009 Li D32/15
D614,822 S * 4/2010 Gebhardt et al. D32/21
D630,390 S * 1/2011 Meyer D32/15
7,967,222 B2 * 6/2011 Alexander 239/532
2008/0245425 A1 * 10/2008 Alexander 137/565.13

Karcher K2.27CCK Electric-Cold Water Pressure Washer, review
date Apr. 16, 2012, online, [http://www.pressurewashersdirect.com/
Karcher-K2.27CCK-Pressure-Washer/p7441.html#reviews](http://www.pressurewashersdirect.com/Karcher-K2.27CCK-Pressure-Washer/p7441.html#reviews), [site
visited Feb. 24, 2015 8:48:26 PM].*

* cited by examiner

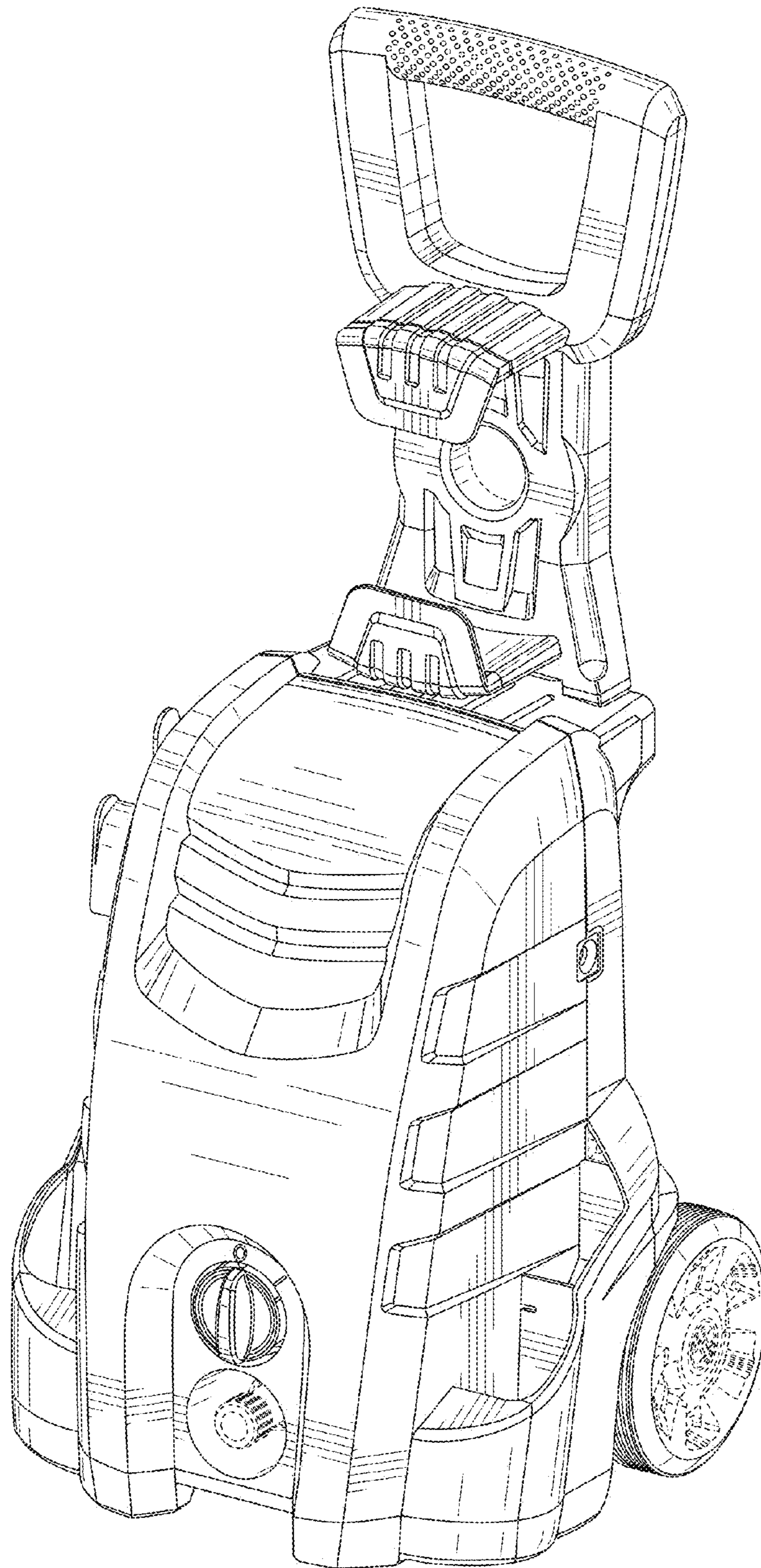


FIG. 1

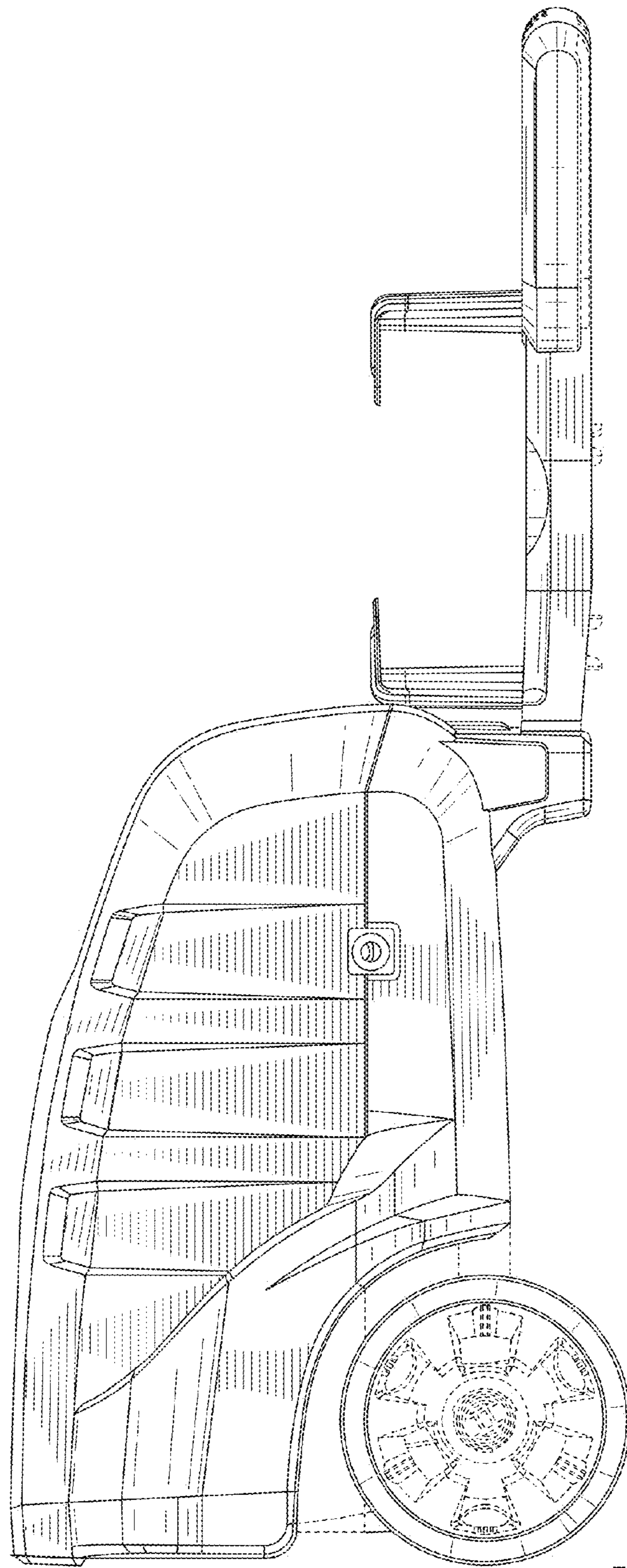


FIG. 2

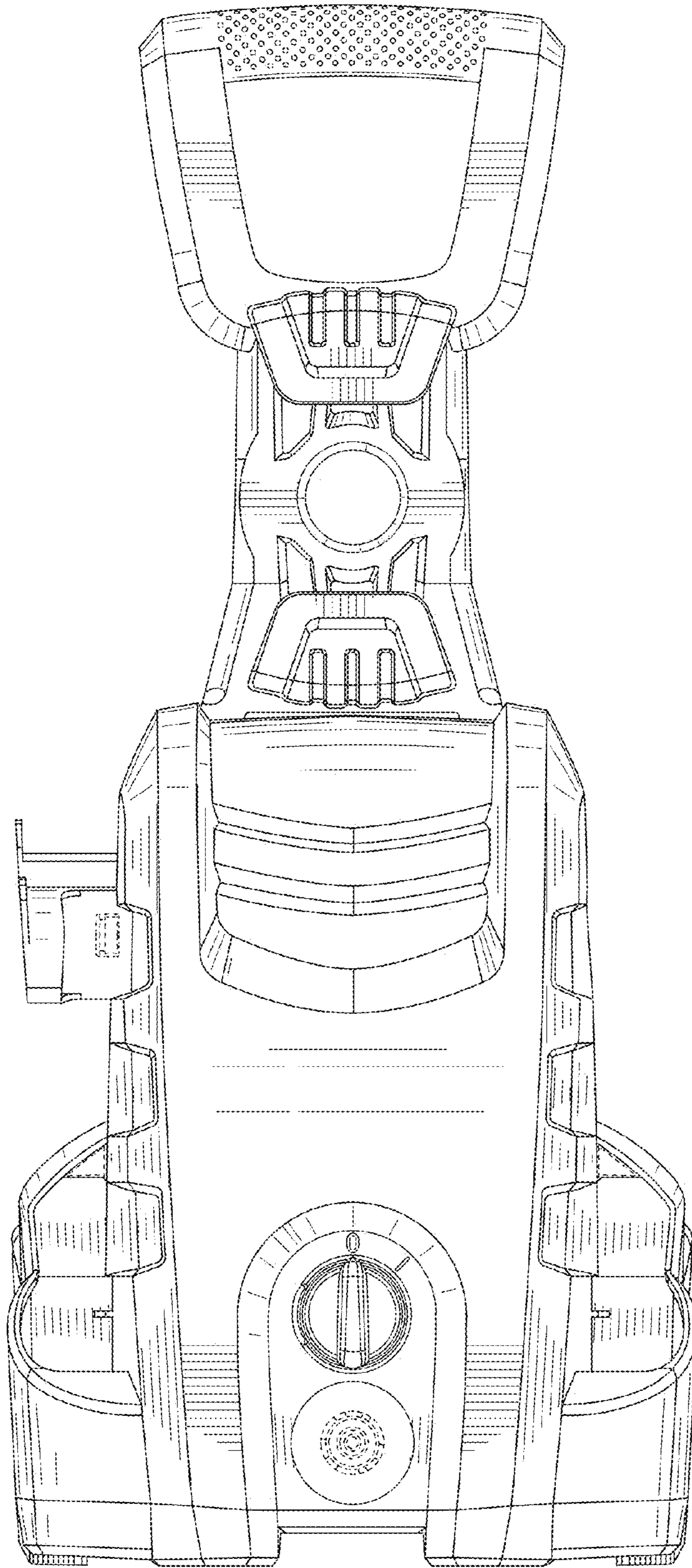


FIG. 3

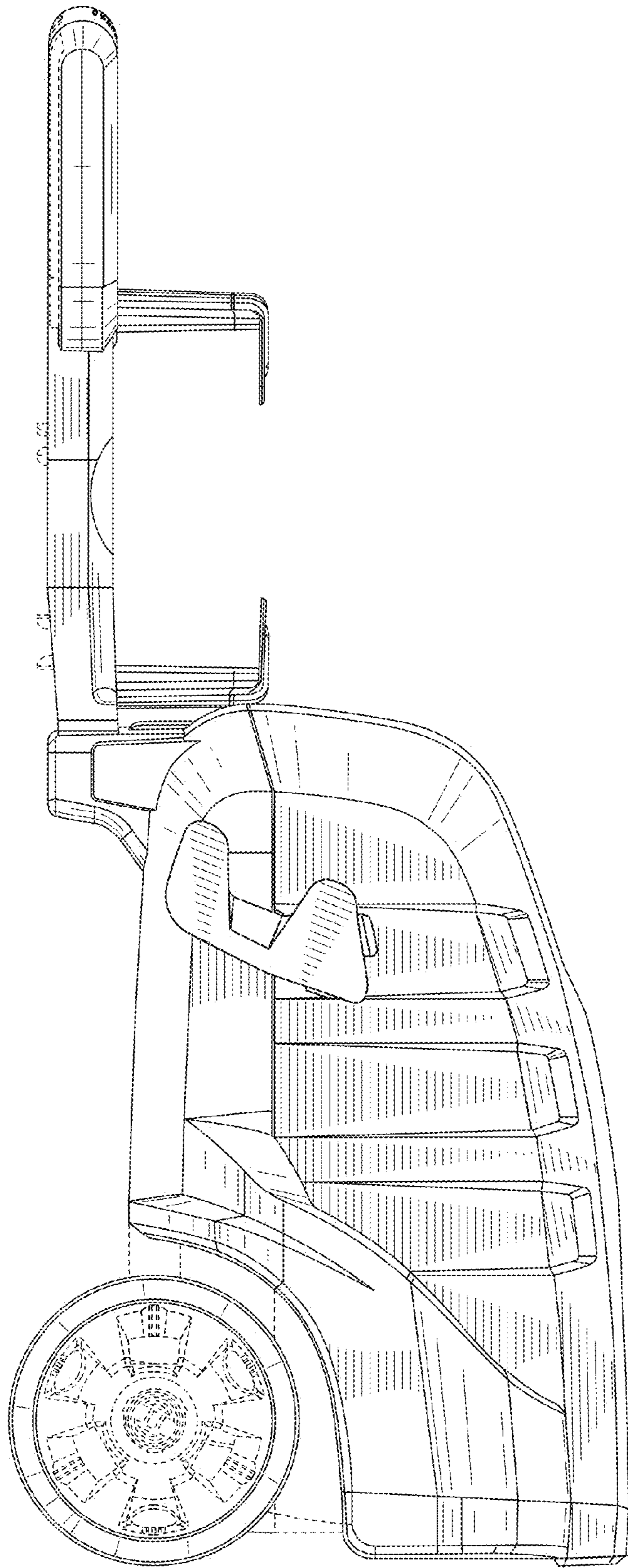


FIG. 4

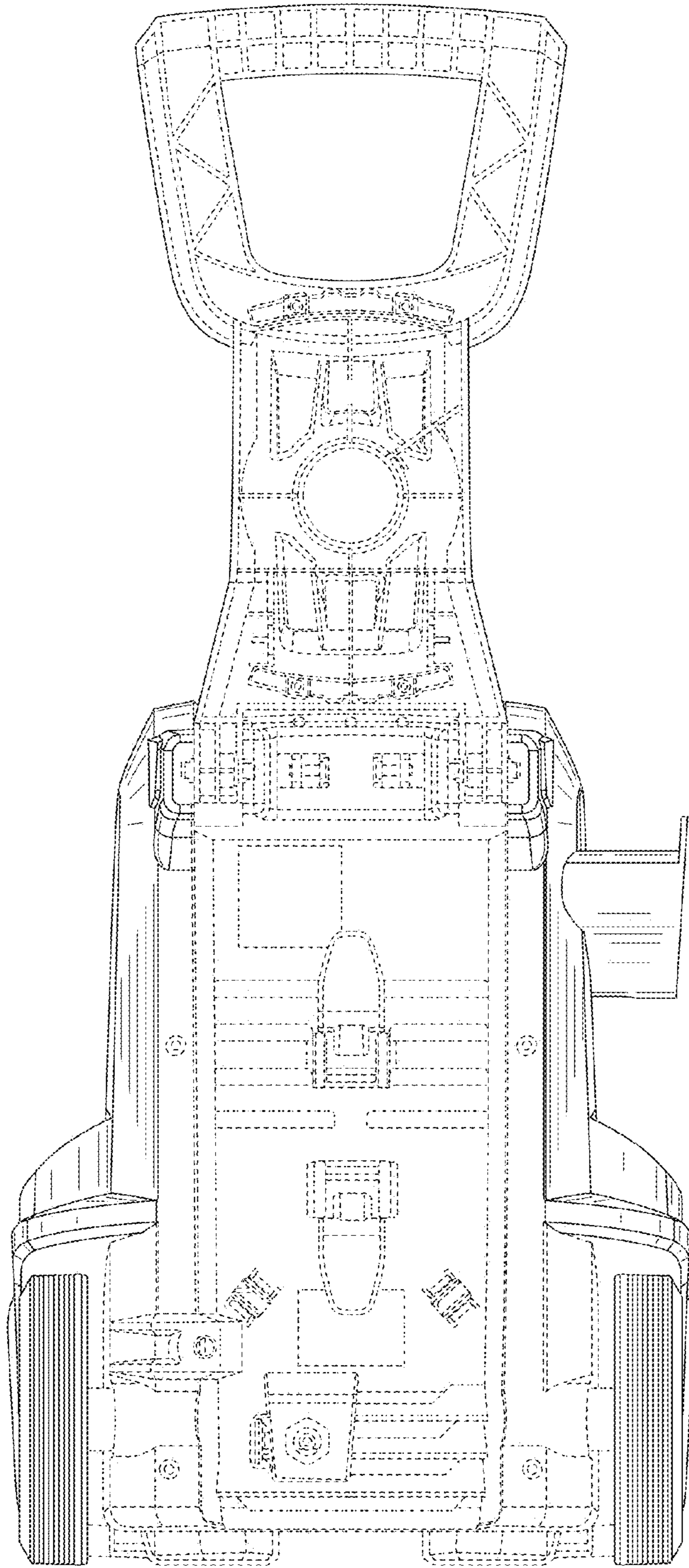


FIG. 5

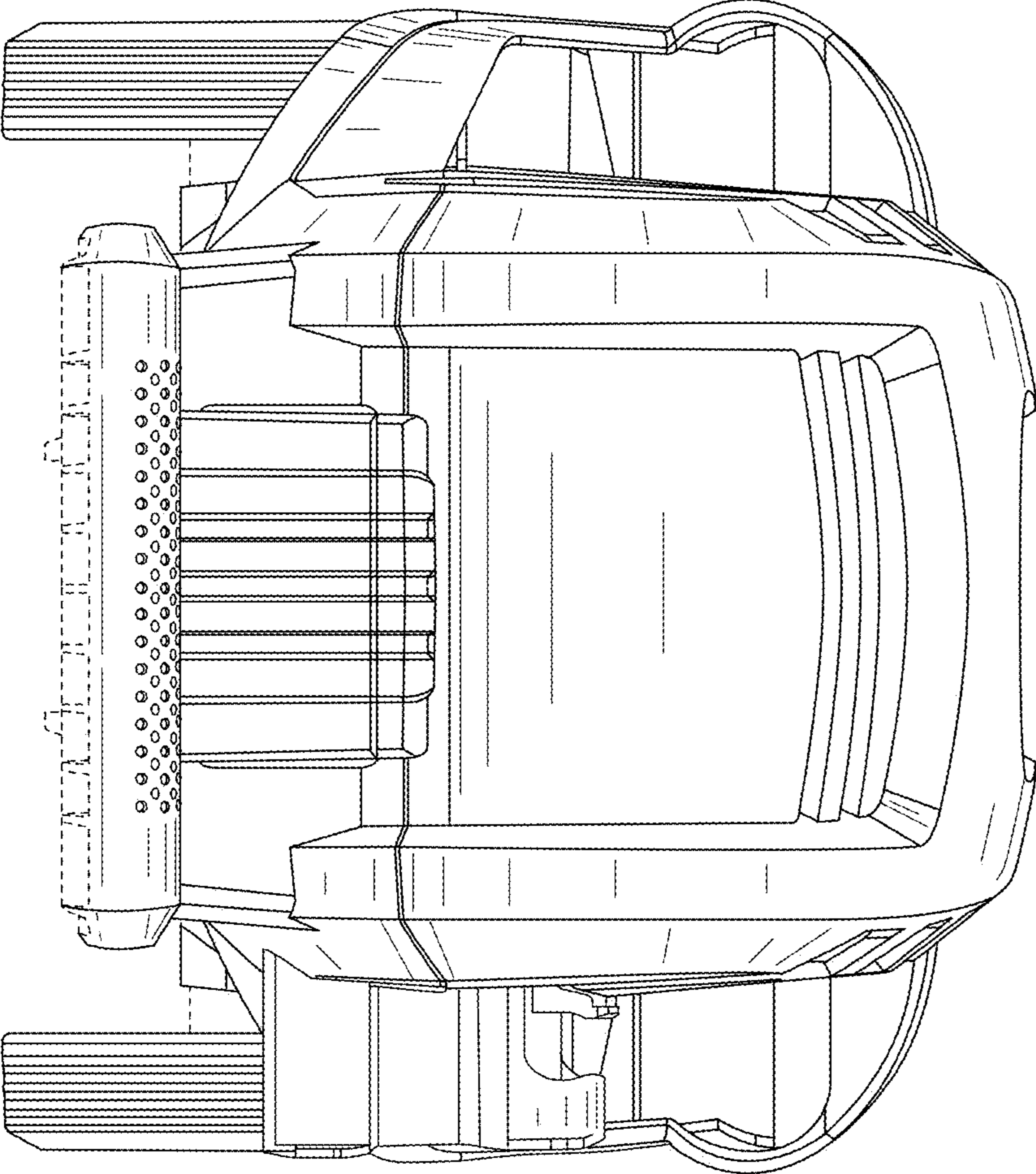


FIG. 6

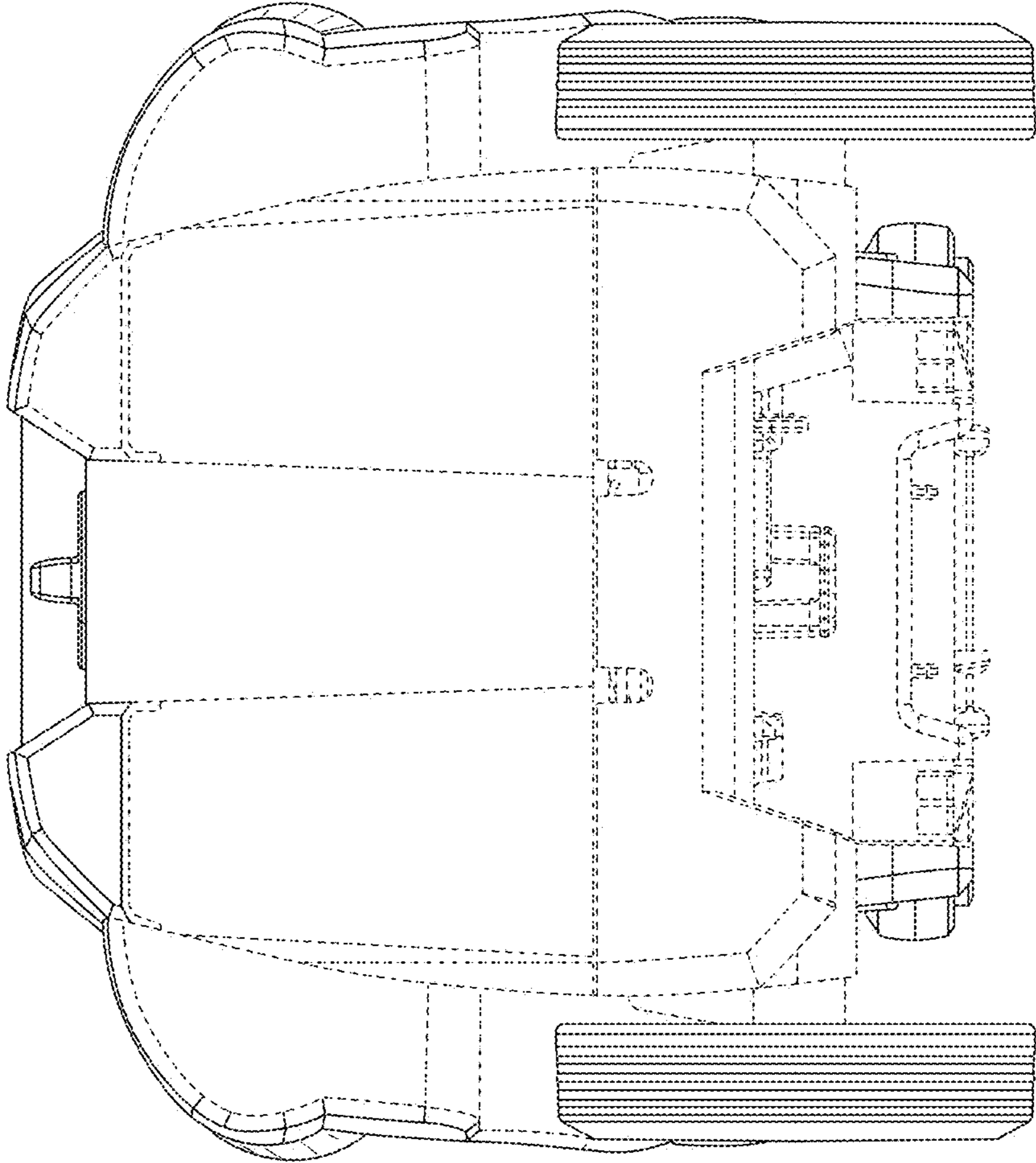


FIG. 7