

US00D739096S

(12) **United States Design Patent**
Qin et al.

(10) **Patent No.:** **US D739,096 S**

(45) **Date of Patent:** **** Sep. 15, 2015**

(54) **CLOTHES DRYER**

(71) Applicant: **WUXI LITTLE SWAN CO., LTD.**,
New District Wuxi (CN)

(72) Inventors: **Su Qin**, New District Wuxi (CN);
Xusheng Feng, New District Wuxi (CN)

(73) Assignee: **WUXI LITTLE SWAN CO., LTD.**,
New District Wuxi (CN)

(**) Term: **14 Years**

(21) Appl. No.: **29/523,424**

(22) Filed: **Apr. 9, 2015**

(30) **Foreign Application Priority Data**

Dec. 29, 2014 (CN) 2014 3 0557982

(51) **LOC (10) Cl.** **15-05**

(52) **U.S. Cl.**
USPC **D32/6**

(58) **Field of Classification Search**
USPC D32/1, 25, 29, 5-6, 8
CPC ... D06F 33/02; D06F 39/02; D06F 2204/065;
D06F 25/00; D06F 35/006
See application file for complete search history.

(56) **References Cited**

U.S. PATENT DOCUMENTS

D515,260 S * 2/2006 Ha et al. D32/25
D517,263 S * 3/2006 Ha et al. D32/25
D562,508 S * 2/2008 Shin D32/6
D631,215 S * 1/2011 Song et al. D32/6
D632,033 S * 2/2011 Song et al. D32/6
D633,261 S * 2/2011 Song et al. D32/6
D654,640 S * 2/2012 Song et al. D32/6

D694,965 S * 12/2013 Lee et al. D32/6
D697,680 S * 1/2014 Hwang et al. D32/25
D699,906 S * 2/2014 Choi et al. D32/25
D699,907 S * 2/2014 Choi et al. D32/28
D700,410 S * 2/2014 Hwang et al. D32/25
D701,656 S * 3/2014 Choi et al. D32/6
D701,659 S * 3/2014 Choi et al. D32/8
D729,998 S * 5/2015 Jeon et al. D32/6
2003/0217481 A1 * 11/2003 Bruntz et al. 34/557
2004/0123488 A1 * 7/2004 Han 34/595
2004/0221479 A1 * 11/2004 Lee et al. 34/603
2006/0288605 A1 * 12/2006 Carow et al. 34/446
2006/0288608 A1 * 12/2006 Carow et al. 34/604
2007/0256317 A1 * 11/2007 Johnson 34/82
2011/0030234 A1 * 2/2011 Park et al. 34/90
2011/0047811 A1 * 3/2011 Bae et al. 34/427

* cited by examiner

Primary Examiner — T. Chase Nelson

Assistant Examiner — Michelle E Wilson

(74) *Attorney, Agent, or Firm* — Hodgson Russ LLP

(57) **CLAIM**

The ornamental design for a clothes dryer, as shown and described.

DESCRIPTION

FIG. 1 is a perspective view of a clothes dryer embodying the inventive ornamental design;

FIG. 2 is a front view thereof;

FIG. 3 is a rear view thereof;

FIG. 4 is a left side view thereof;

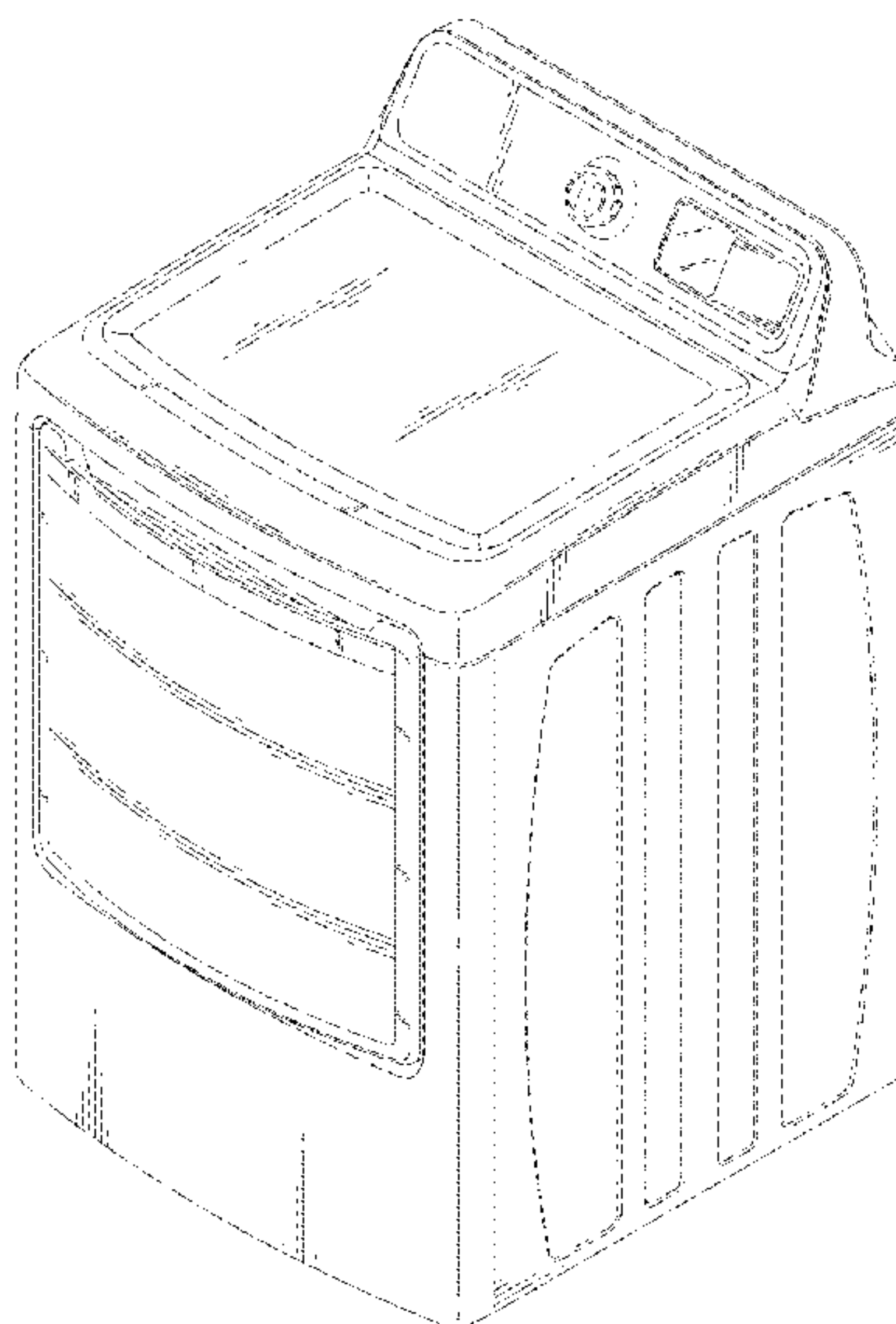
FIG. 5 is a right side view thereof;

FIG. 6 is a top view thereof; and,

FIG. 7 is a bottom view thereof.

The broken lines in the figure views depict portions of the clothes dryer that form no part of the claimed design.

1 Claim, 6 Drawing Sheets



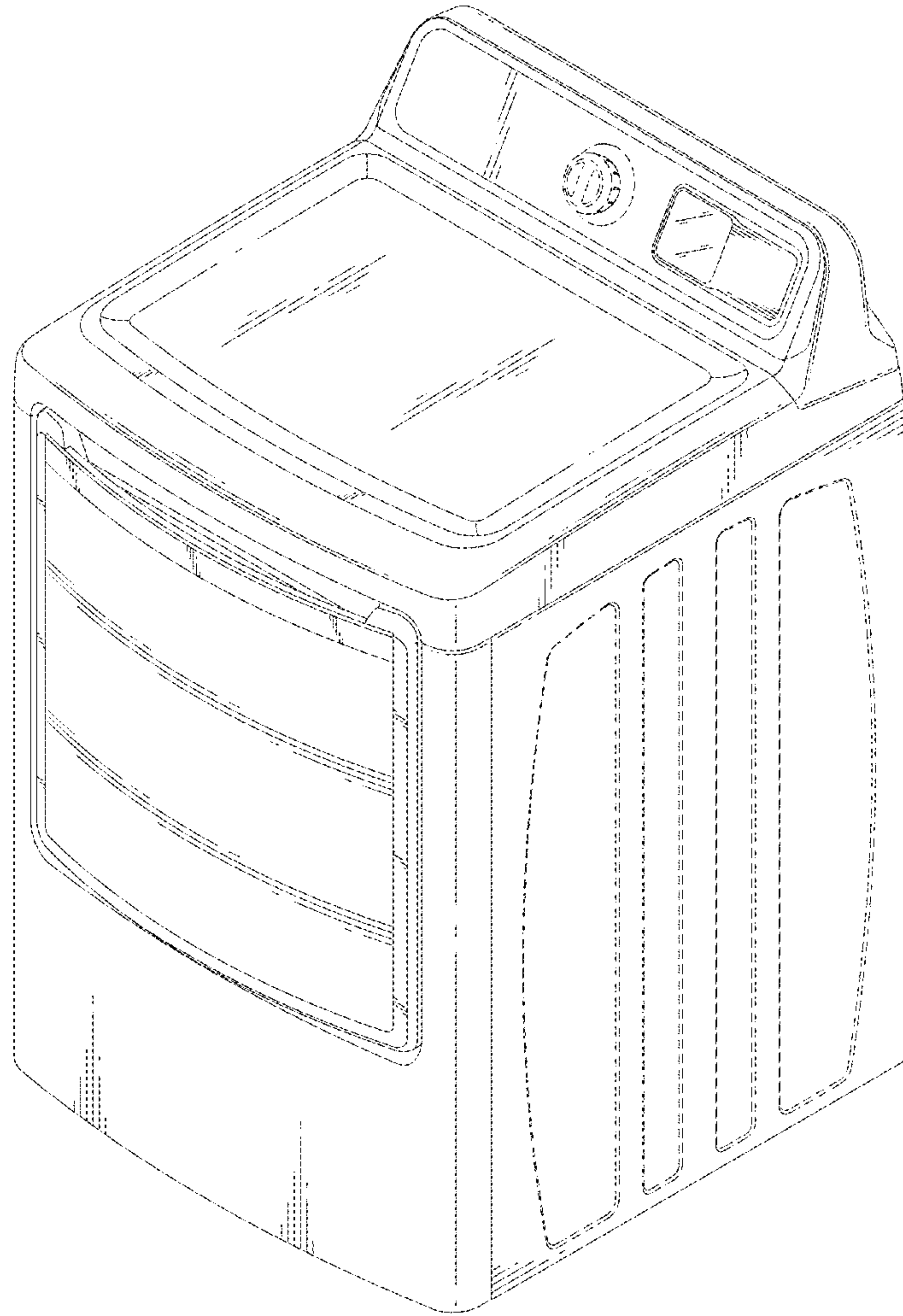


Fig. 1

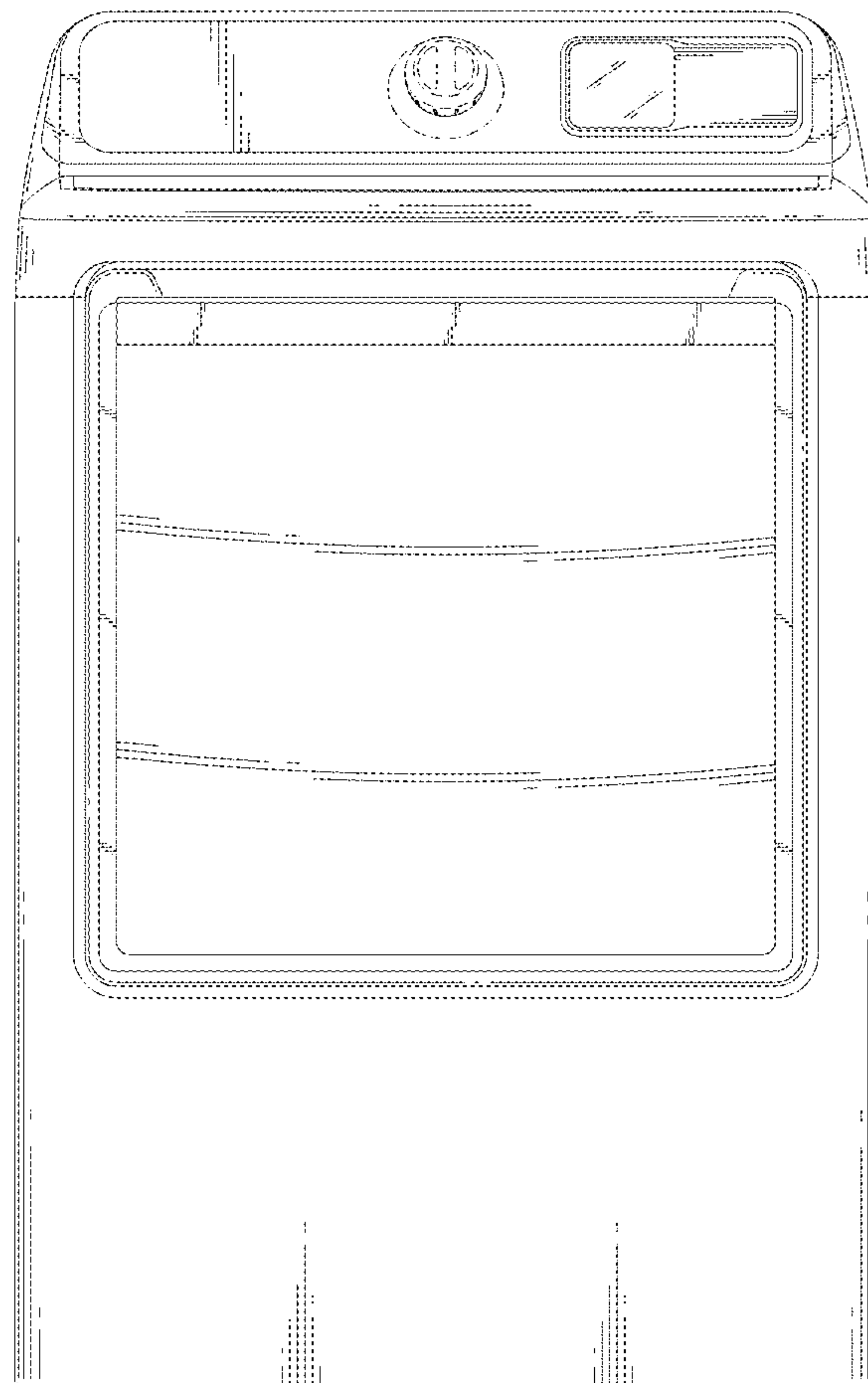


Fig. 2

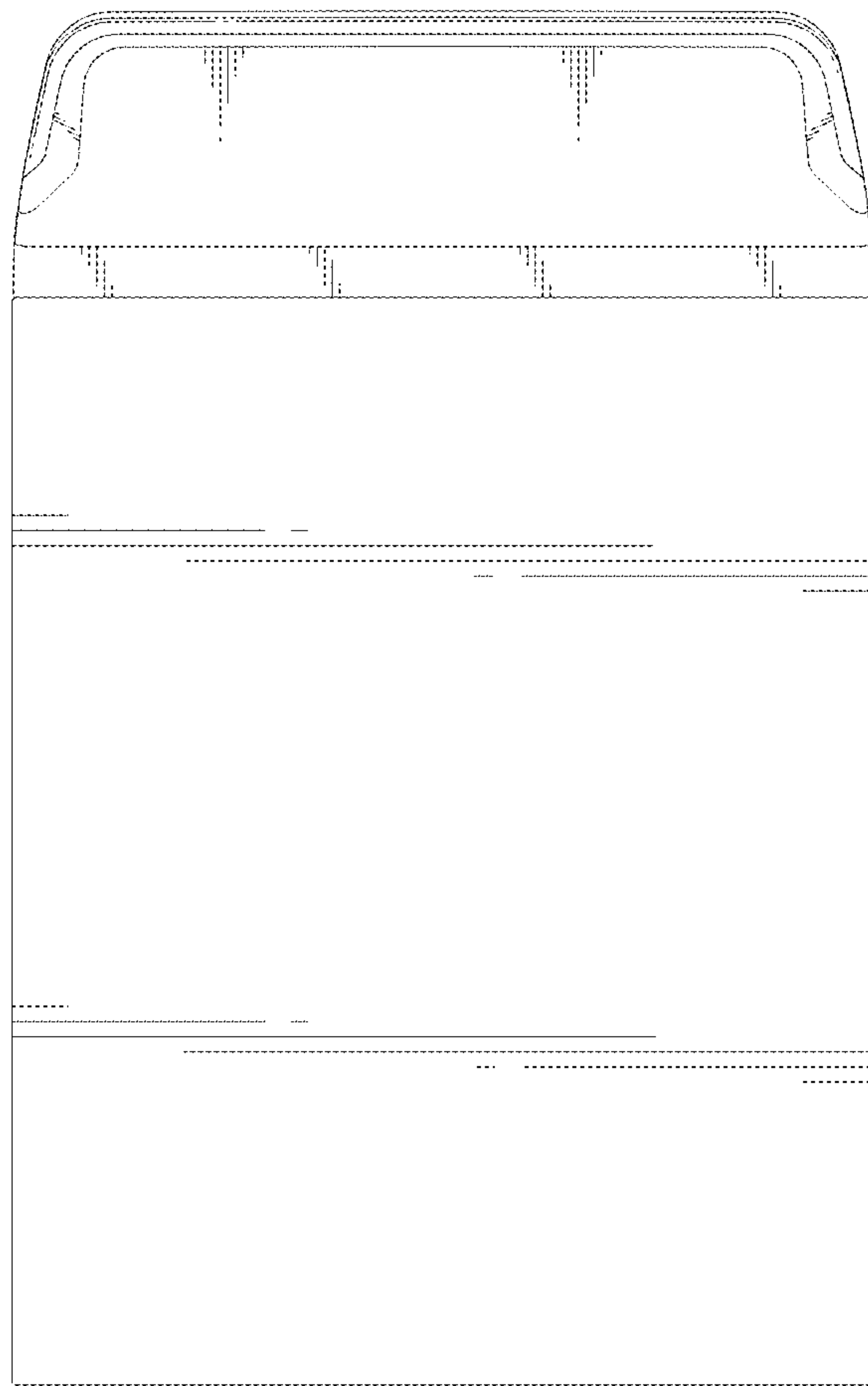


Fig. 3

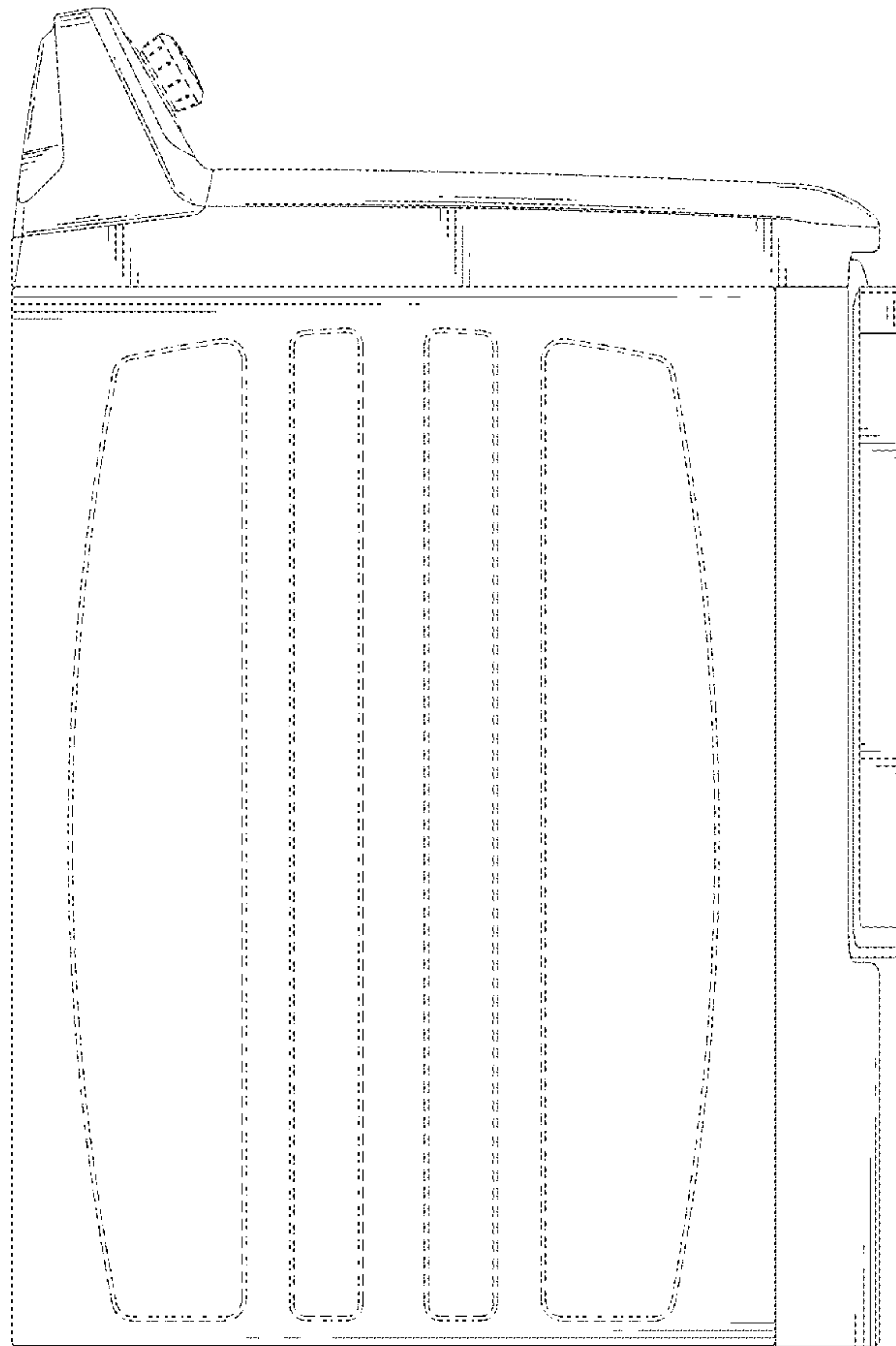


Fig.4

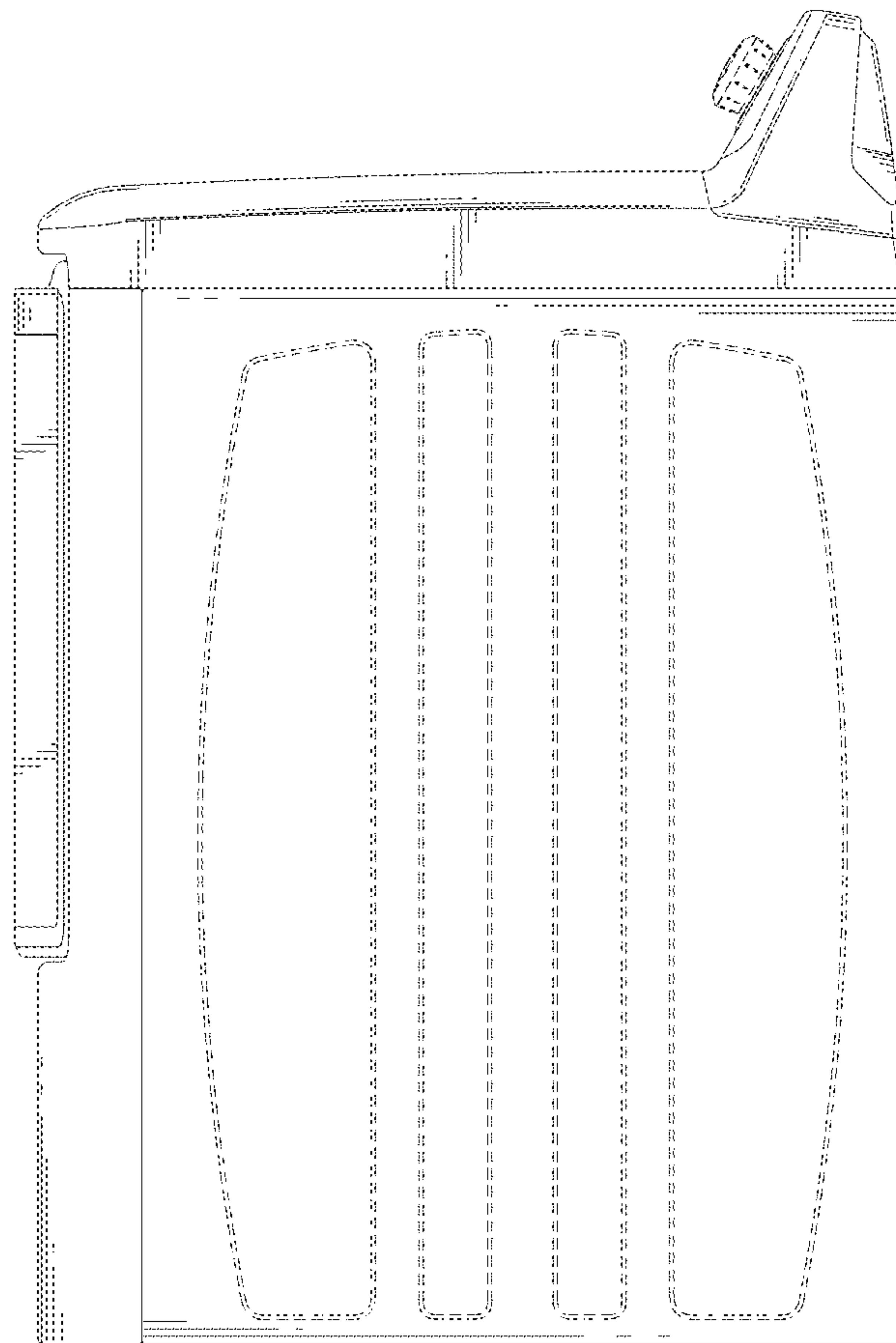


Fig.5

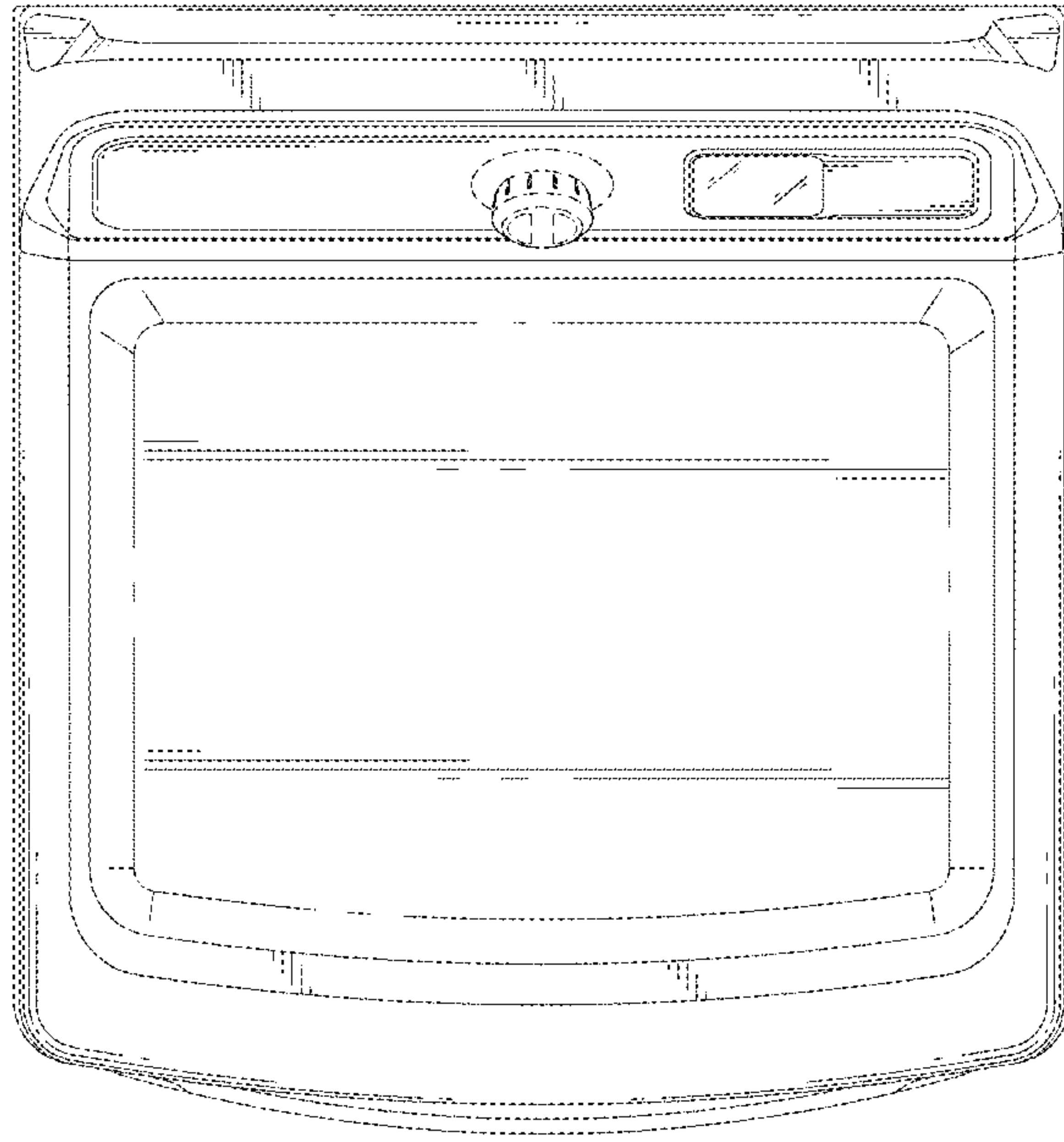


Fig.6

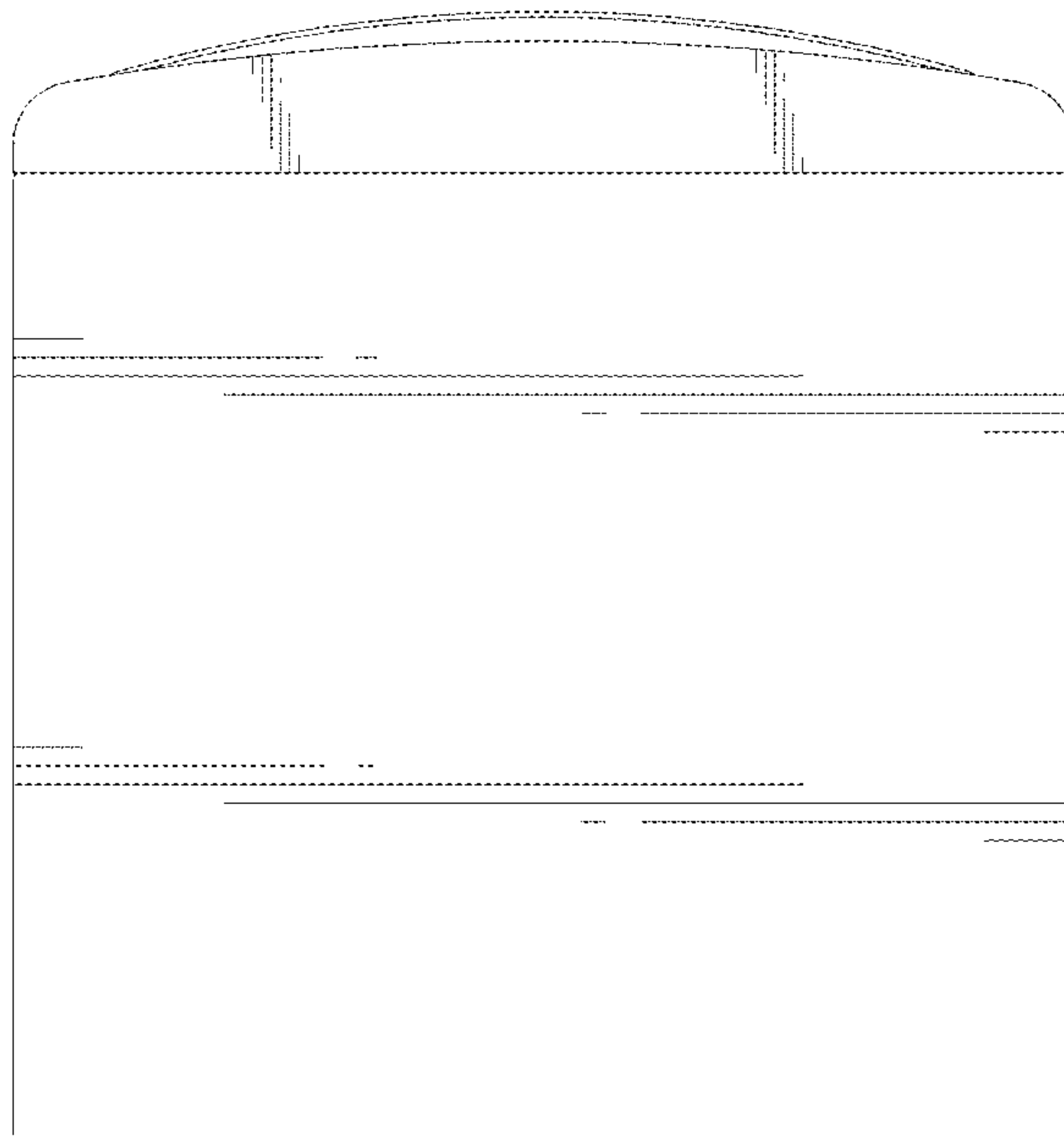


Fig.7