



US00D739094S

(12) **United States Design Patent**
Ovesen

(10) **Patent No.:** **US D739,094 S**
(45) **Date of Patent:** **** Sep. 15, 2015**

(54) **LIFT DEVICE FOR DISHWASHER BASKETS**

D354,645 S * 1/1995 Green D6/566
D362,577 S * 9/1995 Green D6/566
D384,925 S * 10/1997 Pawsat et al. D12/178

(71) Applicant: **Granuldisk AB**, Malmö (SE)

(Continued)

(72) Inventor: **Per Ovesen**, Vollsjö (SE)

FOREIGN PATENT DOCUMENTS

(73) Assignee: **Granuldisk AB**, Malmö (SE)

CA 145672 * 10/2010
RU 00070925 * 6/2009

(**) Term: **14 Years**

OTHER PUBLICATIONS

(21) Appl. No.: **29/461,423**

Make a Pull Up Bar—Improve Strength, Announced Nov. 16, 2011,
[Site Visited Jun. 4, 2015] <http://www.makeapullupbar.com/>.*

(22) Filed: **Jul. 23, 2013**

(Continued)

(30) **Foreign Application Priority Data**

Feb. 4, 2013 (EM) 002177758-0001

Primary Examiner — Eric Goodman

(51) **LOC (10) Cl.** **15-05**

Assistant Examiner — Luqman McNeil

(52) **U.S. Cl.**
USPC **D32/3**

(74) *Attorney, Agent, or Firm* — Thomas I Horstemeyer,
LLP

(58) **Field of Classification Search**
USPC D32/3, 55, 58; D12/178; D34/6;
D6/566, 513, 514; D8/373, 10;
D3/304; 211/74, 41.8; 74/551.8, 551.3;
297/184.15; 482/39

(57) **CLAIM**

The ornamental design for a lift device for dishwasher bas-
kets, as shown and described.

CPC A47L 15/055; A47C 7/66; A63B 1/00;
B01L 9/06; B62K 21/125; B62K 21/16
See application file for complete search history.

DESCRIPTION

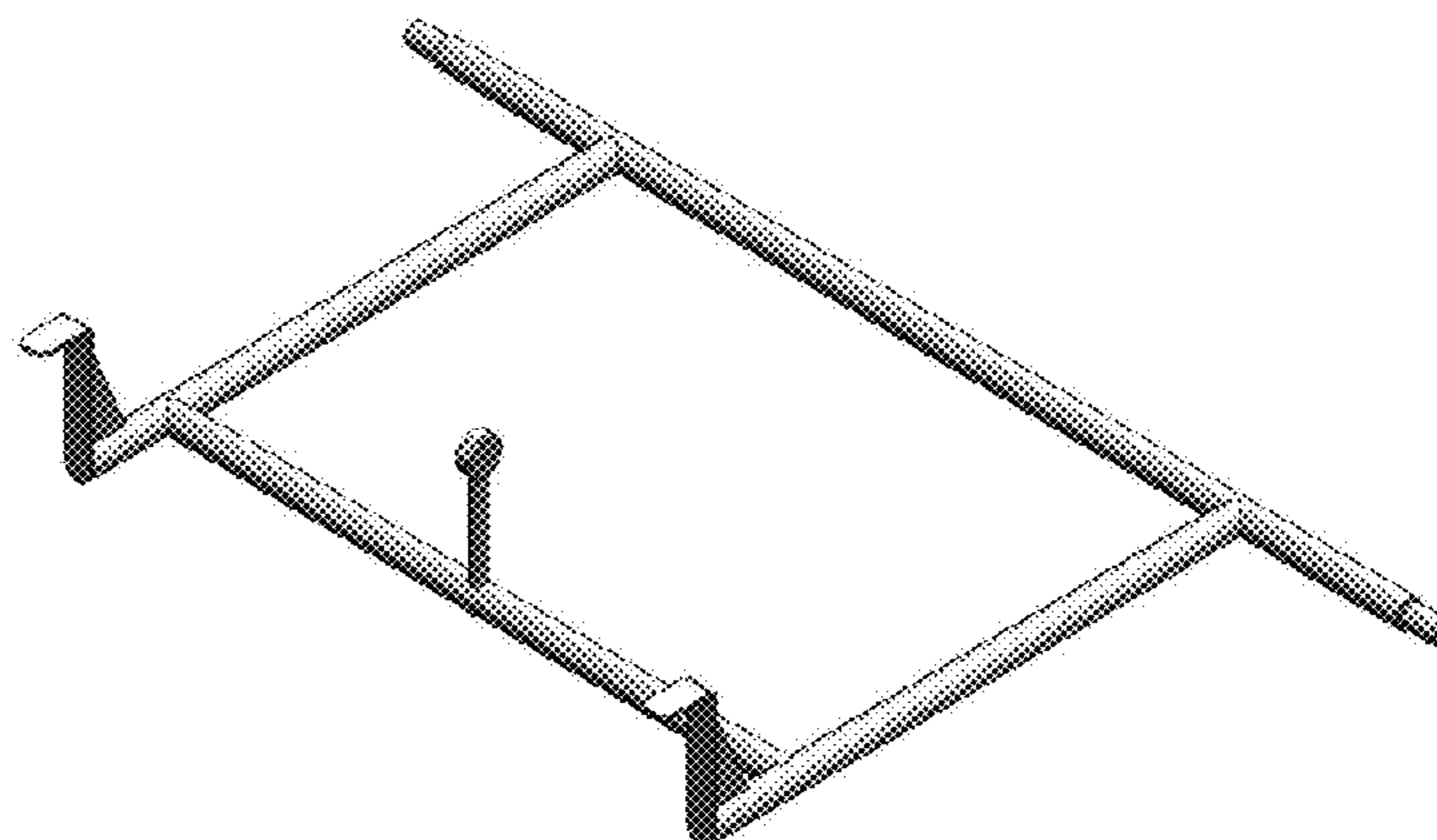
FIG. 1 is a top perspective view of my new lift device for
dishwasher baskets;
FIG. 2 is a side elevational view of my new lift device for
dishwasher baskets of FIG. 1;
FIG. 3 is a side elevational view of my new lift device for
dishwasher baskets, opposite that of FIG. 2;
FIG. 4 is another side elevational view of my lift device for
dishwasher baskets of FIG. 1;
FIG. 5 is a side elevational view of my lift device for dish-
washer baskets, opposite that of FIG. 4;
FIG. 6 is a top plan view of my lift device for dishwasher
baskets of FIG. 1; and,
FIG. 7 is a bottom plan view of my lift device for dishwasher
baskets of FIG. 1.

(56) **References Cited**

U.S. PATENT DOCUMENTS

2,708,037 A * 5/1955 Planeta 211/74
3,612,285 A * 10/1971 Mason 211/41.8
D239,011 S * 3/1976 Hasmasaka D12/178
D253,685 S * 12/1979 Chapman D32/55
D263,293 S * 3/1982 Janson D12/178
D289,812 S * 5/1987 Alvemarker D32/3
D297,957 S * 10/1988 Gordon, III D21/691
D319,125 S * 8/1991 Currie D34/6
5,195,394 A * 3/1993 Latta 74/551.8
D345,069 S * 3/1994 Green D6/566
5,315,895 A * 5/1994 Kattus et al. 74/551.8

1 Claim, 7 Drawing Sheets



(56)

References Cited

U.S. PATENT DOCUMENTS

D418,349 S * 1/2000 Schumacher D6/566
 D430,441 S * 9/2000 Rosenberg D6/566
 D462,220 S * 9/2002 Battaglia et al. D6/566
 6,979,056 B1 * 12/2005 Goldszer 297/184.15
 D518,936 S * 4/2006 Yang et al. D32/55
 D533,745 S * 12/2006 Rodrigue D6/566
 7,143,662 B2 * 12/2006 Hobson, Jr. 74/551.3
 D577,989 S * 10/2008 Ernst et al. D8/373
 D584,056 S * 1/2009 Ghiorghie D6/513
 D588,815 S * 3/2009 Ghiorghie D3/304
 D595,914 S * 7/2009 Housley D32/55
 D602,318 S * 10/2009 Chesness D8/10
 D626,712 S * 11/2010 Klein et al. D34/6
 D630,396 S * 1/2011 Yang et al. D32/55
 D637,852 S * 5/2011 Black et al. D6/572

D639,592 S * 6/2011 Spencer et al. D6/566
 D650,542 S * 12/2011 Kontorovich et al. D32/58
 D668,401 S * 10/2012 Eng D32/3
 D695,982 S * 12/2013 Jonsson D32/55
 D699,467 S * 2/2014 Tsai D6/514
 2013/0040784 A1 * 2/2013 Gillespie et al. 482/39

OTHER PUBLICATIONS

Barbecue Accessories, Tools, and Toys: A buying Guide With Reviews and Rating, Announced May 6, 2010, [Site Visited Jun. 4, 2014] http://amazingribs.com/BBQ_buyers_guide/barbecue_accessories.html.*

Increasing Cooking Compacity—The Virtual Weber Bullet, Announced Mar. 1, 2001, [Site Visited Jun. 4, 2014] <http://www.virtualweberbullet.com/increasecapacity.html>.*

* cited by examiner

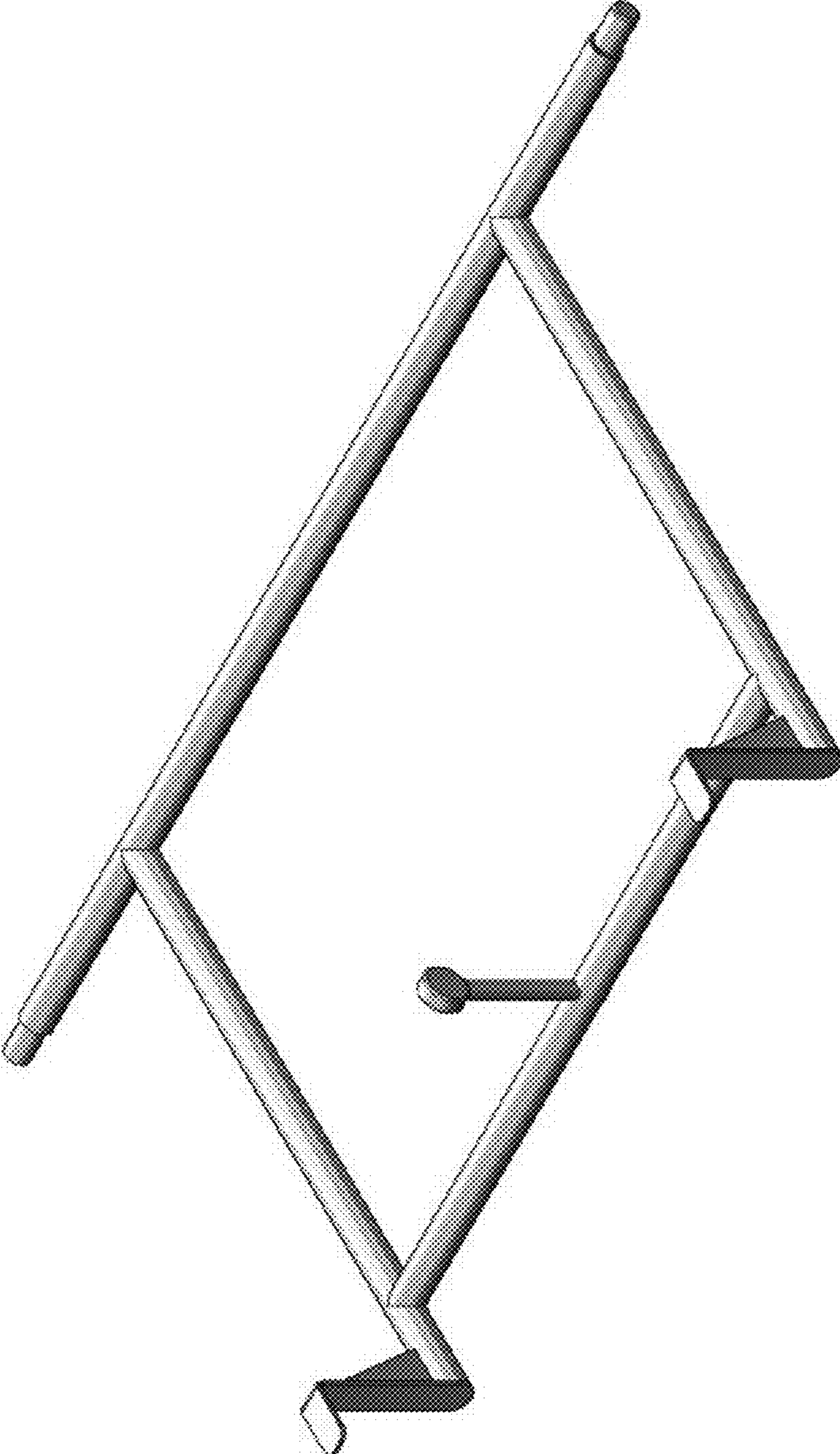


FIG. 1

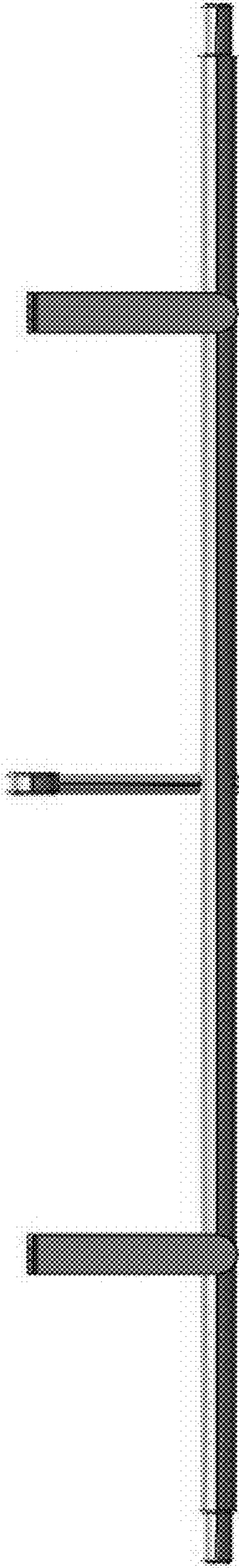


FIG. 2

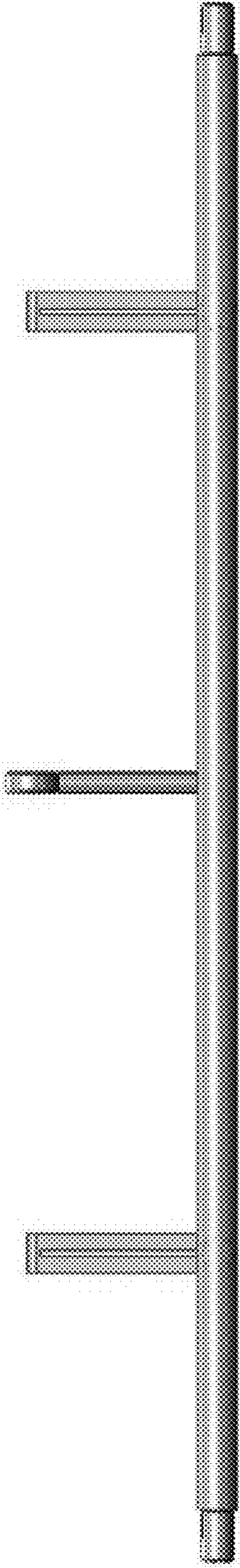


FIG. 3

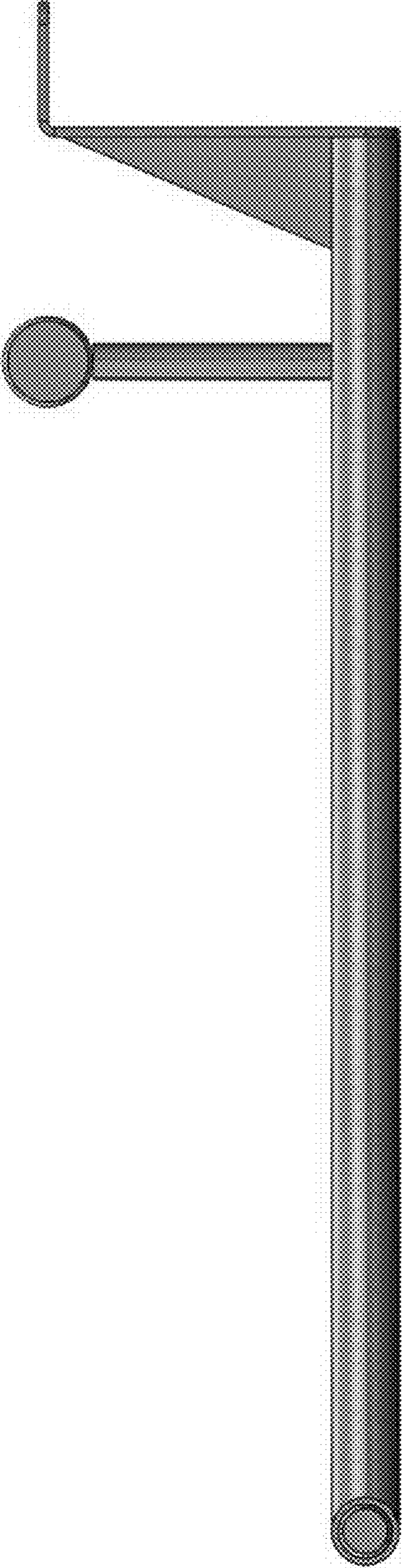


FIG. 4

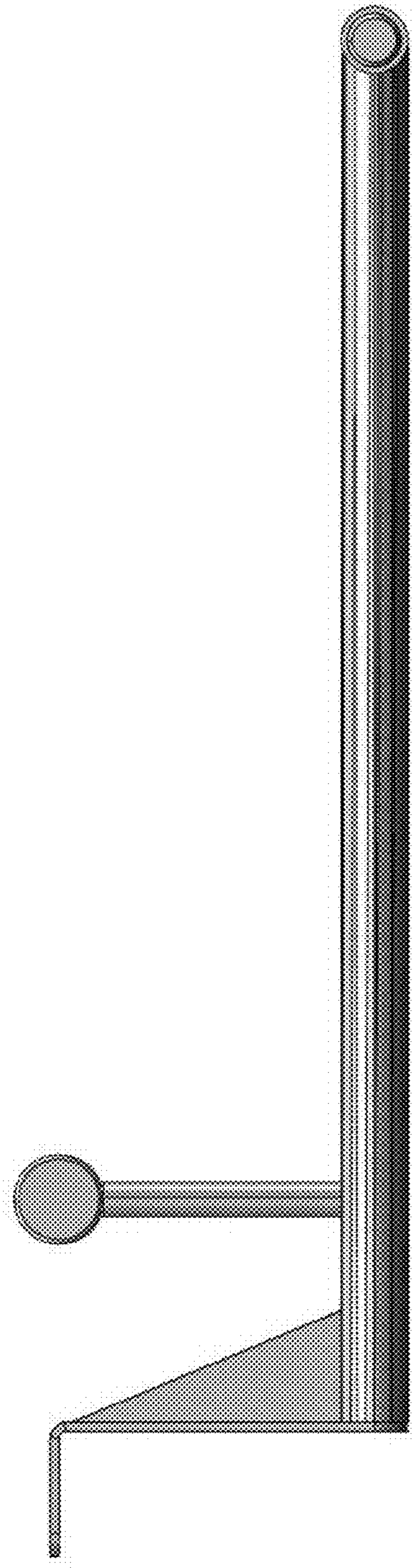


FIG. 5

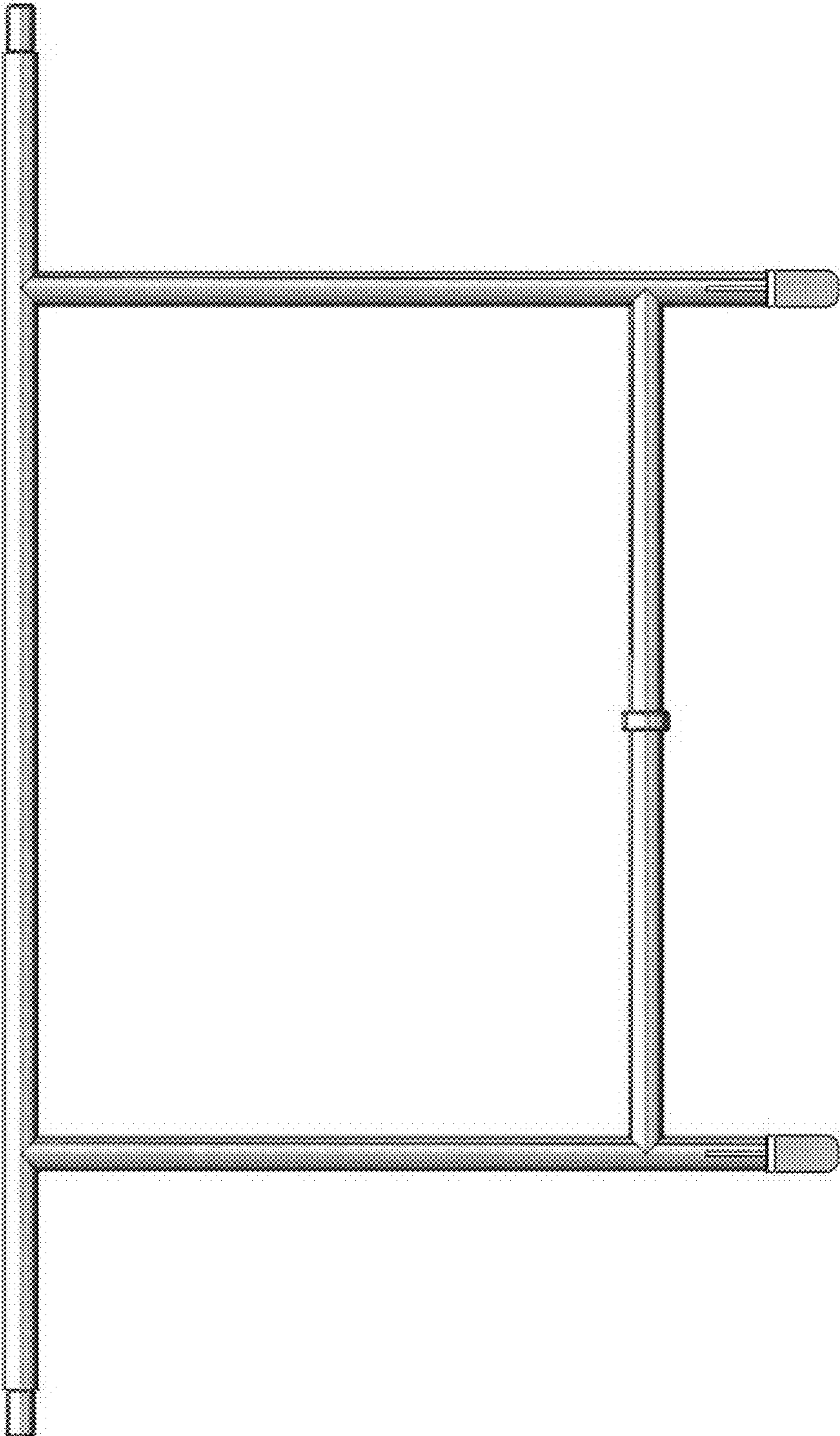


FIG. 6

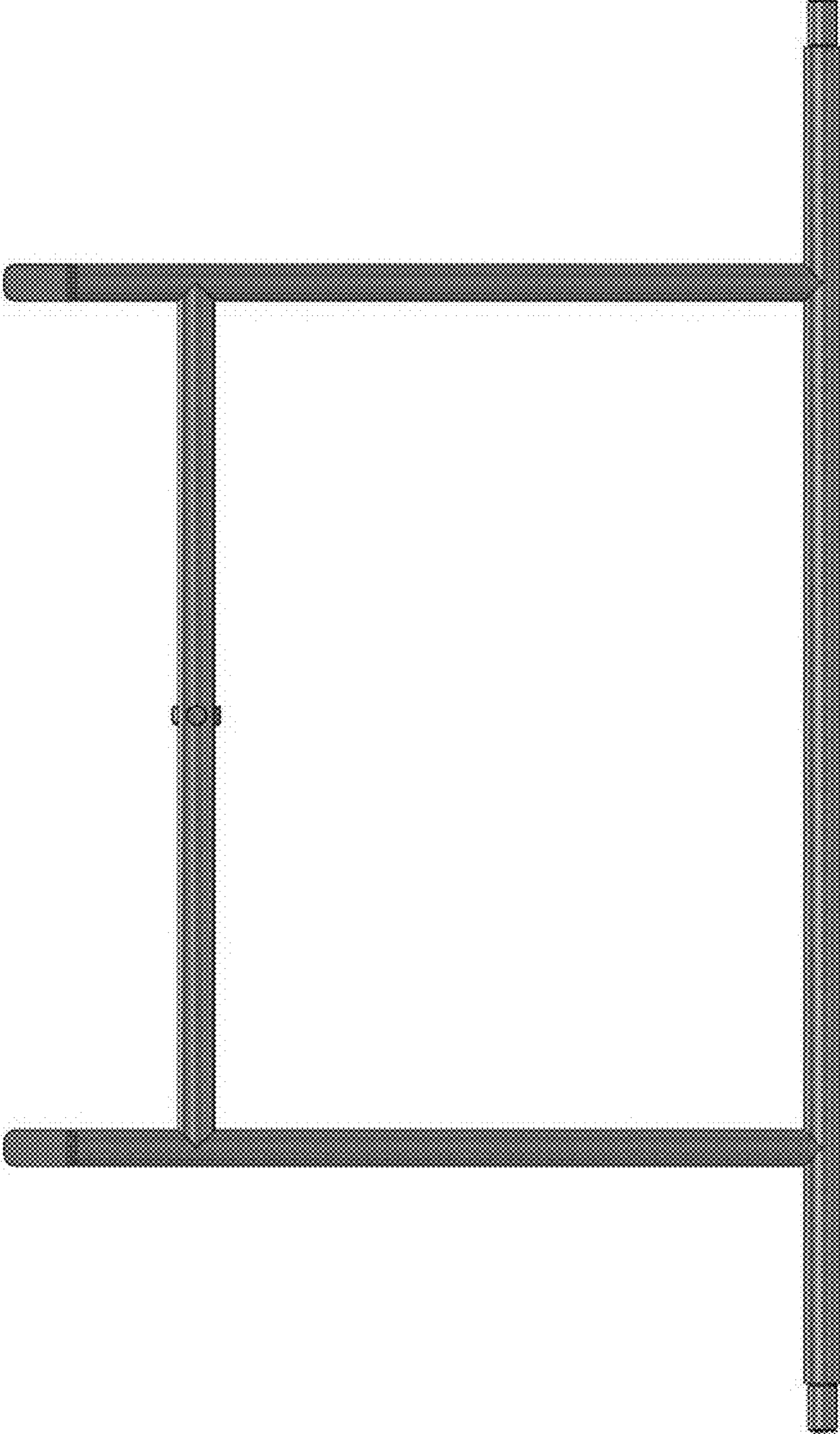


FIG. 7