



US00D739092S

(12) **United States Design Patent**  
**Bogart**

(10) **Patent No.:** **US D739,092 S**  
(45) **Date of Patent:** **\*\* Sep. 15, 2015**

(54) **LIVESTOCK FEEDER**

(71) Applicant: **Mark Bogart**, Joshua, TX (US)

(72) Inventor: **Mark Bogart**, Joshua, TX (US)

(\*\*) Term: **14 Years**

(21) Appl. No.: **29/520,293**

(22) Filed: **Mar. 12, 2015**

(51) **LOC (10) Cl.** ..... **30-03**

(52) **U.S. Cl.**  
USPC ..... **D30/121**

(58) **Field of Classification Search**  
USPC ..... D30/133, 121, 122, 124, 127, 128, 132,  
D30/131, 114, 119; 119/51.01, 61, 51.04,  
119/53, 57.91, 54, 53.5, 52.4, 51.11, 63,  
119/61.2, 52.1, 57.5, 57.6, 51.13, 62, 75,  
119/500, 501, 521, 57.92, 59, 51.12, 57.1,  
119/56.1, 57; 239/7, 687, 379, 397.5;  
222/199, 181.1, 181.2, 185.1, 557,  
222/156, 485, 486, 548, 555; 220/200, 227,  
220/247, 262; 221/174, 185.1, 289, 295,  
221/296, 559; 454/35; 209/270, 283, 244;  
52/194, 192; 49/279, 344, 357; D34/28  
CPC ..... A01K 5/0225; A01K 5/00; A01K 5/02;  
A01K 5/01; A01K 5/0291; A01K 5/0266;  
A01K 5/0275; A01K 5/0283; A01K 39/00;  
A01K 39/01; A01K 39/0113; A01K 39/012;  
A01K 39/0125; A01K 39/014; B28C 7/0046;  
B65D 90/14; B65D 88/52; B65D 88/30;  
A01C 17/005; A01C 17/006; Y10T 74/19721;  
Y10T 74/2063

See application file for complete search history.

(56) **References Cited**

U.S. PATENT DOCUMENTS

737,370 A \* 8/1903 Drown ..... 119/521  
825,018 A \* 7/1906 Davis ..... 119/426  
1,142,246 A \* 6/1915 Gagan ..... 119/523

1,239,404 A \* 9/1917 Knoll, Jr. .... 239/70  
D53,947 S \* 10/1919 Stevenson ..... D30/114  
1,359,691 A \* 11/1920 Genuit ..... 119/70  
1,550,612 A \* 8/1925 Huber ..... 119/53  
1,779,016 A \* 10/1930 Scholle ..... 119/53  
1,804,239 A \* 5/1931 Warek ..... 119/57.91  
1,996,196 A \* 4/1935 Ferris ..... 119/523  
2,005,188 A \* 6/1935 Hedrick ..... 119/53  
2,273,616 A \* 2/1942 Beatty ..... 119/53.5  
D168,337 S \* 12/1952 Cusenbary ..... D30/121  
2,642,037 A \* 6/1953 Merrill ..... 119/523  
3,007,443 A \* 11/1961 Ryan ..... 119/51.01  
3,063,416 A \* 11/1962 Elstner ..... 119/51.01  
3,543,723 A \* 12/1970 Van Gilst ..... 119/521  
3,625,184 A \* 12/1971 Patz ..... 119/57.6  
3,726,257 A \* 4/1973 Andersen ..... 119/523  
3,734,059 A \* 5/1973 Rodrigues ..... 119/520  
3,738,326 A \* 6/1973 Atchley  
3,900,009 A \* 8/1975 Rodrigues ..... 119/752  
4,027,628 A \* 6/1977 Butler et al. .... 119/57.6  
4,040,389 A \* 8/1977 Walters  
4,129,096 A \* 12/1978 Nickel ..... 119/521  
4,171,684 A \* 10/1979 Herr et al. .... 119/521  
D254,753 S \* 4/1980 McDonald ..... D30/114

(Continued)

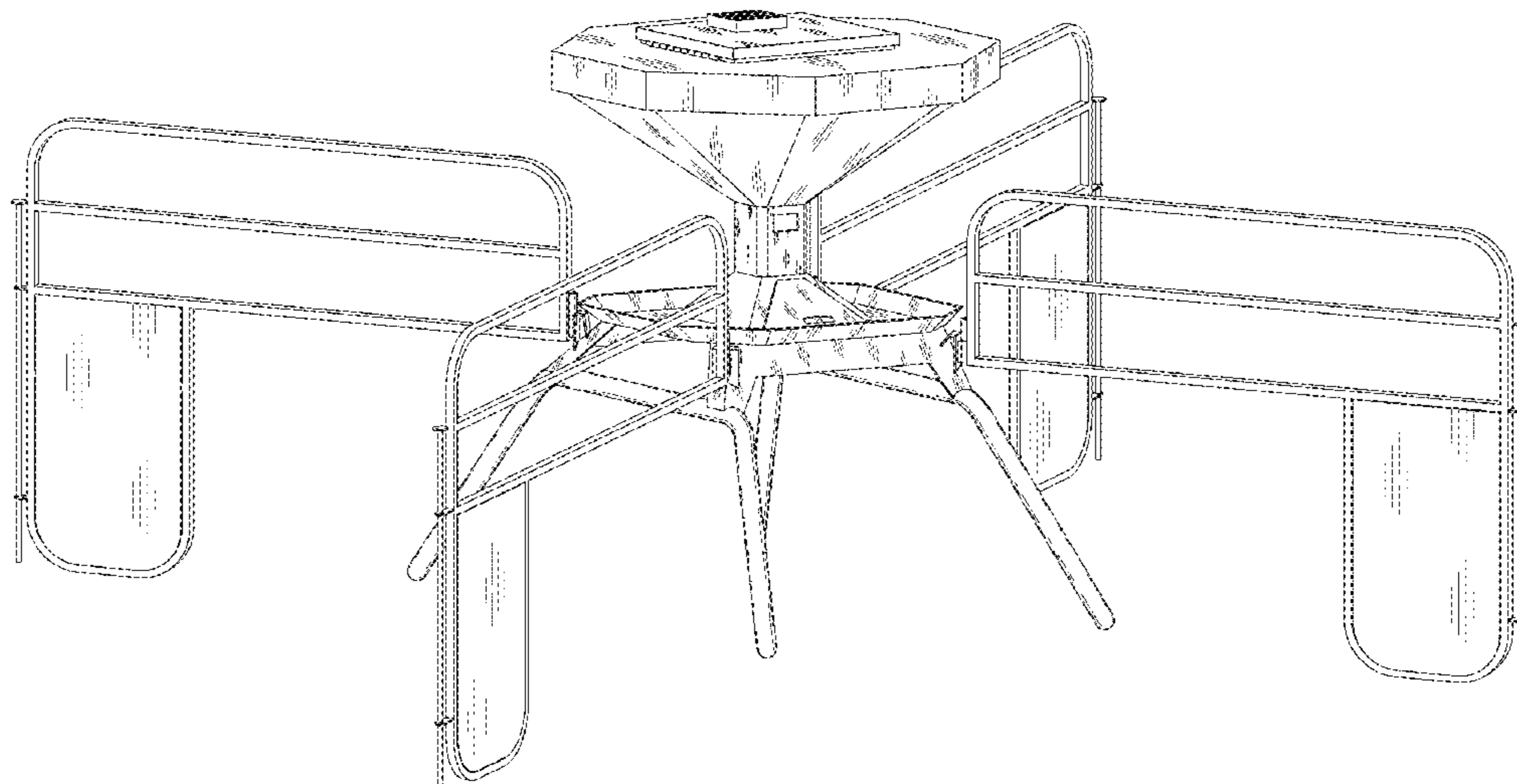
*Primary Examiner* — Susan Moon Lee  
(74) *Attorney, Agent, or Firm* — Eric Karich; Karich & Associates

(57) **CLAIM**  
The ornamental design for a “livestock feeder,” as shown and described.

**DESCRIPTION**

FIG. 1 is a perspective view of a livestock feeder, showing my new design;  
FIG. 2 is a front elevational view thereof;  
FIG. 3 is a rear elevational view thereof;  
FIG. 4 is a left side elevational view thereof;  
FIG. 5 is a right side elevational view thereof;  
FIG. 6 is a top plan view thereof; and,  
FIG. 7 is a bottom plan view thereof.

**1 Claim, 7 Drawing Sheets**



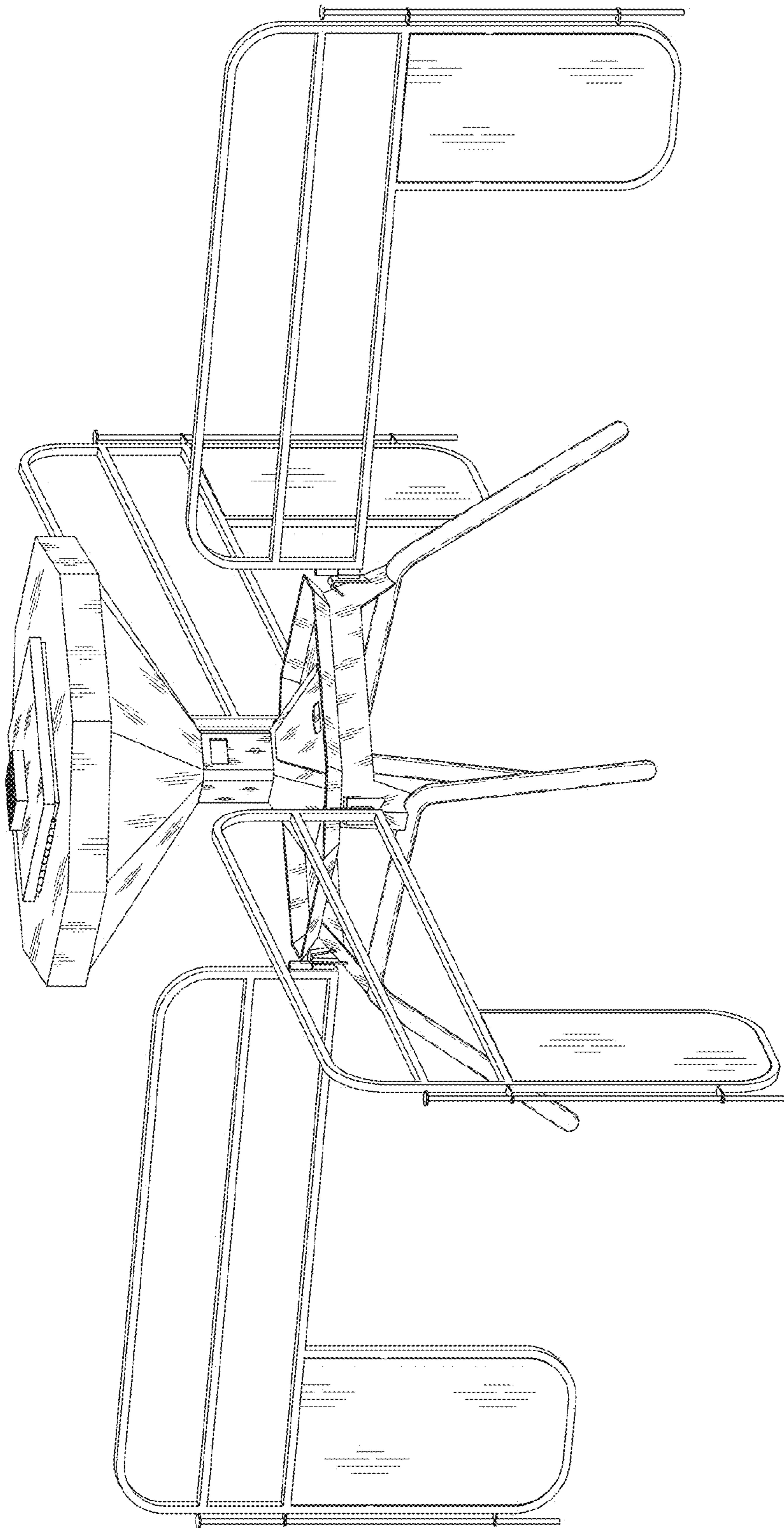
(56)

## References Cited

## U.S. PATENT DOCUMENTS

4,217,860	A *	8/1980	Glogler	119/523	6,988,465	B2	1/2006	Park	
D273,903	S *	5/1984	Wilcenski et al.	D30/114	D575,908	S *	8/2008	Meritt	D30/133
4,582,023	A	4/1986	Zumbahlen et al.		7,475,796	B2 *	1/2009	Garton	222/185.1
4,601,414	A *	7/1986	Lawson	222/564	D588,166	S *	3/2009	Lyons, III	D15/19
4,640,229	A	2/1987	Swartzendruber		D604,017	S *	11/2009	Meritt	D30/121
4,719,875	A *	1/1988	Van Gilst	119/53.5	D624,708	S	9/2010	Meritt	
D297,469	S *	8/1988	Johansson	D30/114	D625,054	S *	10/2010	Nowacek	D30/121
D297,470	S *	8/1988	Johansson	D30/114	7,832,663	B1 *	11/2010	Cotham	239/653
4,811,675	A *	3/1989	Segalla	119/57.6	D630,802	S *	1/2011	Meritt	D30/121
4,956,821	A *	9/1990	Fenelon	366/8	D631,615	S *	1/2011	Nowacek	D30/121
5,020,701	A *	6/1991	Donelson	222/494	7,866,579	B2	1/2011	Chism	
5,069,164	A	12/1991	Wiwi		8,066,206	B1 *	11/2011	Cotham	239/653
D330,609	S *	10/1992	Moreau et al.	D30/119	8,096,265	B1 *	1/2012	Wisecarver	119/57.1
D333,194	S *	2/1993	Moreau et al.	D30/119	8,522,722	B2 *	9/2013	Pastoor et al.	119/521
5,259,337	A *	11/1993	Rasmussen	119/57.1	D710,549	S *	8/2014	Bogart	D30/121
5,339,996	A *	8/1994	Dubbert et al.	222/185.1	2003/0005887	A1 *	1/2003	Graham	119/52.1
5,365,885	A *	11/1994	Baxter	119/521	2003/0024480	A1 *	2/2003	Meritt	119/61
5,463,980	A	11/1995	Rasmussen		2003/0145796	A1 *	8/2003	Rasmussen	119/53.5
D381,134	S *	7/1997	Alford et al.	D30/119	2005/0076843	A1 *	4/2005	Ansaldo	119/57.91
5,680,829	A *	10/1997	Payne	119/53	2005/0211181	A1 *	9/2005	Kleinsasser	119/503
5,732,652	A *	3/1998	Allen	119/57.91	2005/0269367	A1 *	12/2005	Post	222/185.1
5,740,757	A *	4/1998	Smeester	119/51.02	2005/0281648	A1 *	12/2005	Hockenyos et al.	414/462
5,794,561	A	8/1998	Schulz		2006/0283396	A1 *	12/2006	Hernandez	119/51.13
5,820,035	A *	10/1998	Johnson et al.	239/684	2008/0202436	A1 *	8/2008	Romeu Guardia	119/52.1
5,865,139	A *	2/1999	Rasmussen	119/53.5	2008/0236502	A1 *	10/2008	Elias et al.	119/52.4
5,901,886	A *	5/1999	Grindstaff et al.	222/557	2008/0302310	A1 *	12/2008	Kleinsasser	119/521
5,967,091	A *	10/1999	Zartman	119/522	2009/0126639	A1 *	5/2009	Hsieh	119/51.11
D477,440	S *	7/2003	Ansaldo	D30/121	2009/0199773	A1 *	8/2009	Jurk	119/57.91
6,684,812	B1 *	2/2004	Tucker	119/57.91	2009/0320764	A1 *	12/2009	Chang	119/53.5
					2010/0307421	A1 *	12/2010	Gates	119/56.1
					2013/0199450	A1 *	8/2013	Harty et al.	119/51.02
					2014/0131468	A1 *	5/2014	Meritt	239/7

\* cited by examiner



*Fig. 1*

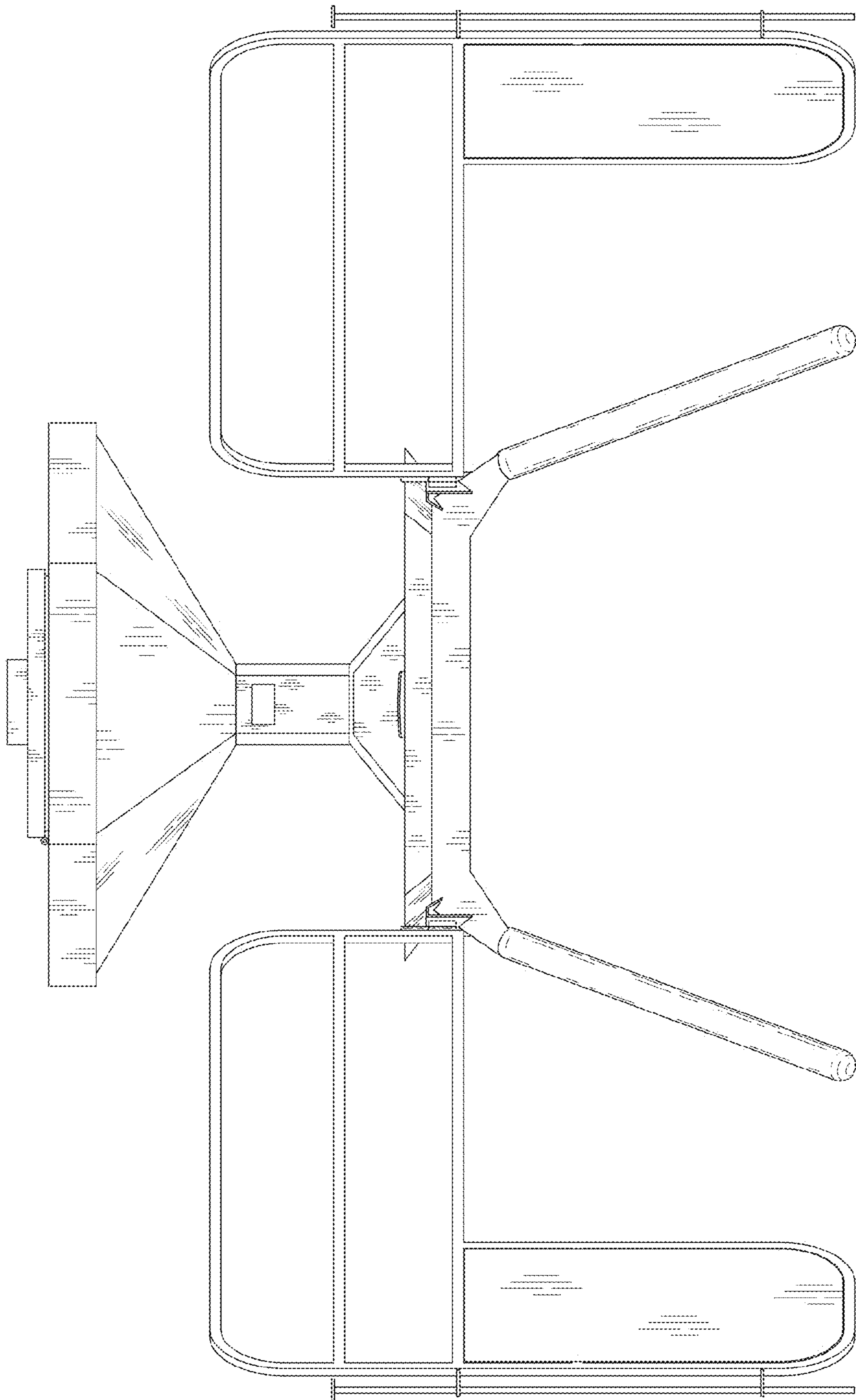


Fig. 2

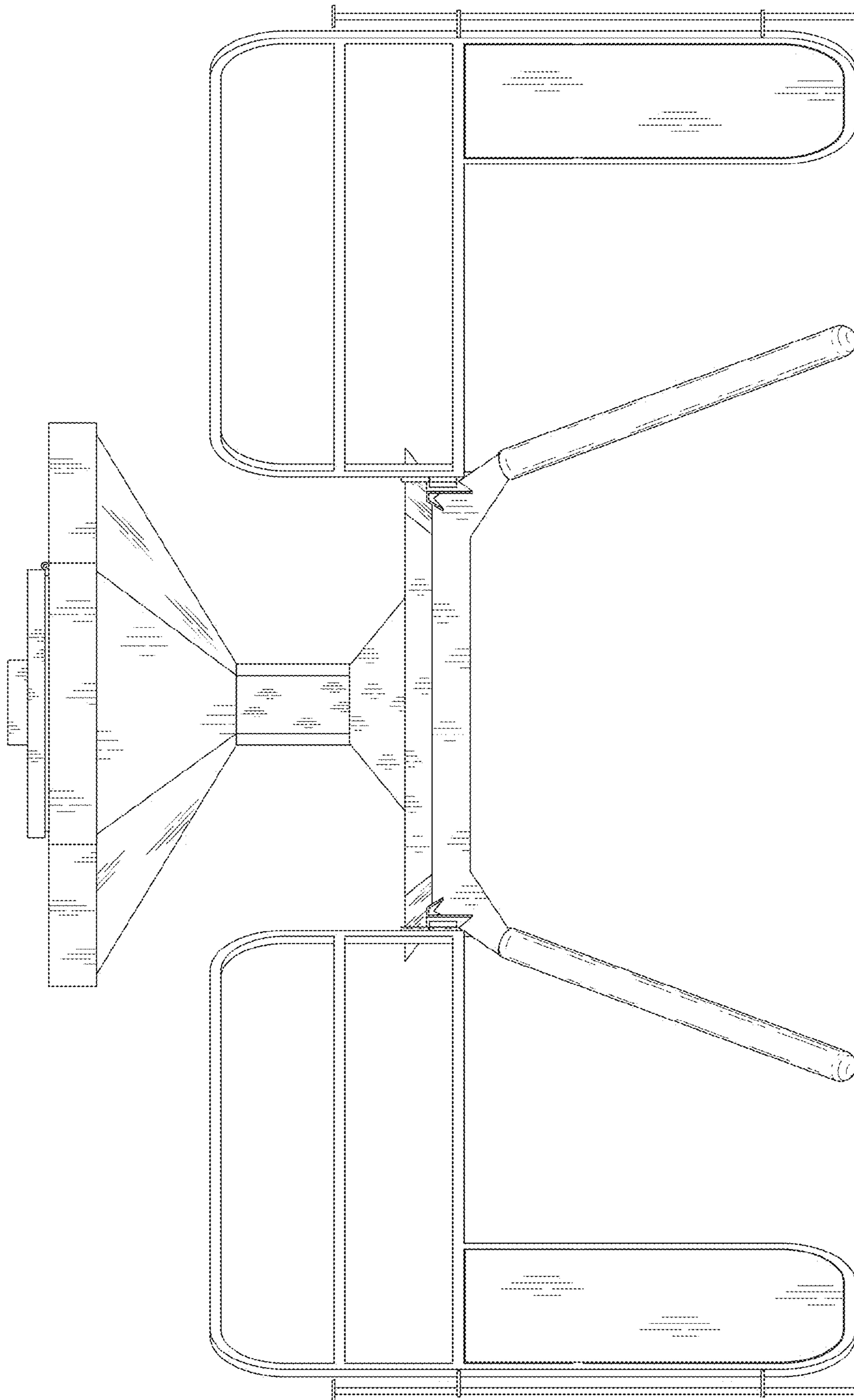


Fig. 3

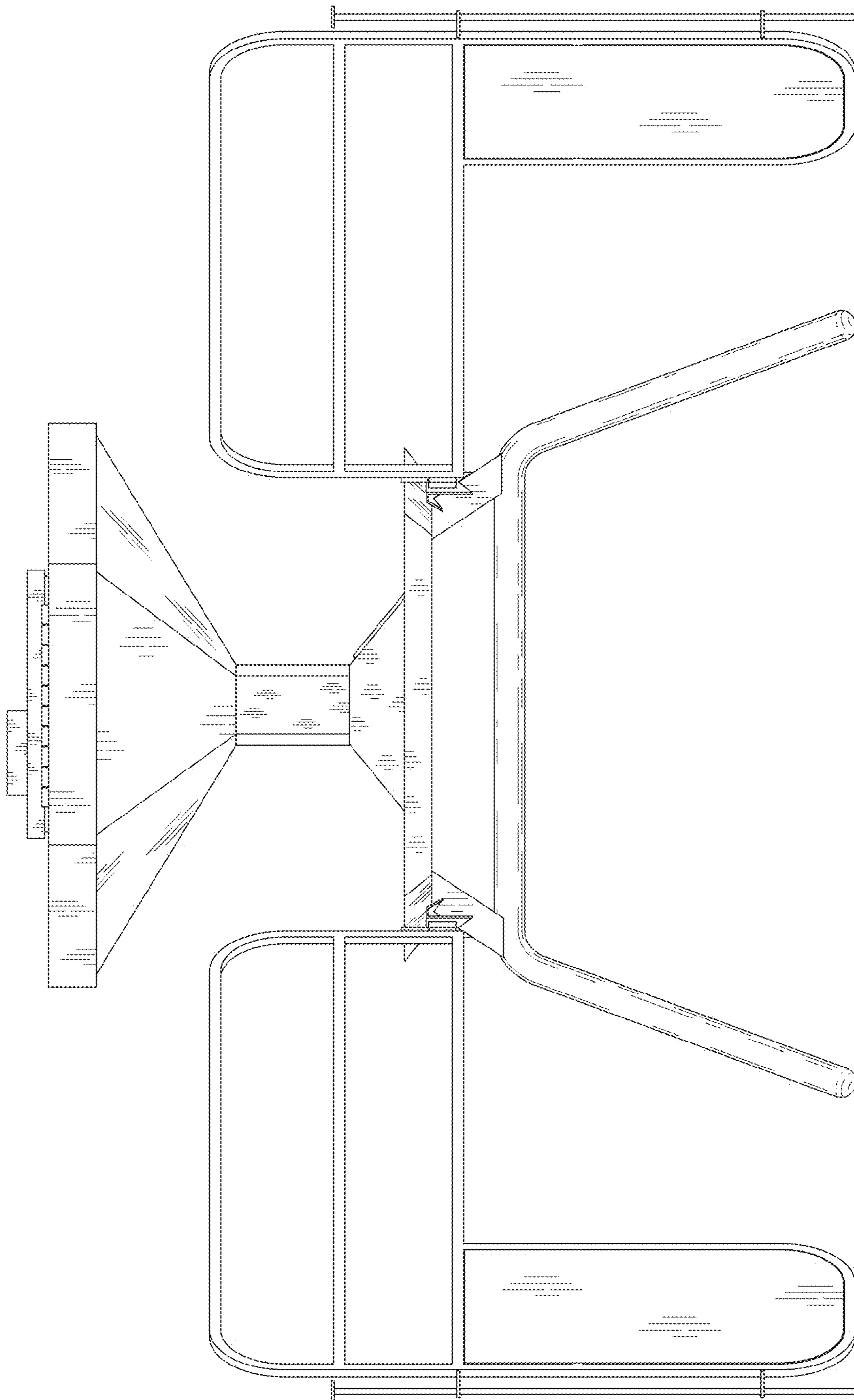


Fig. 4

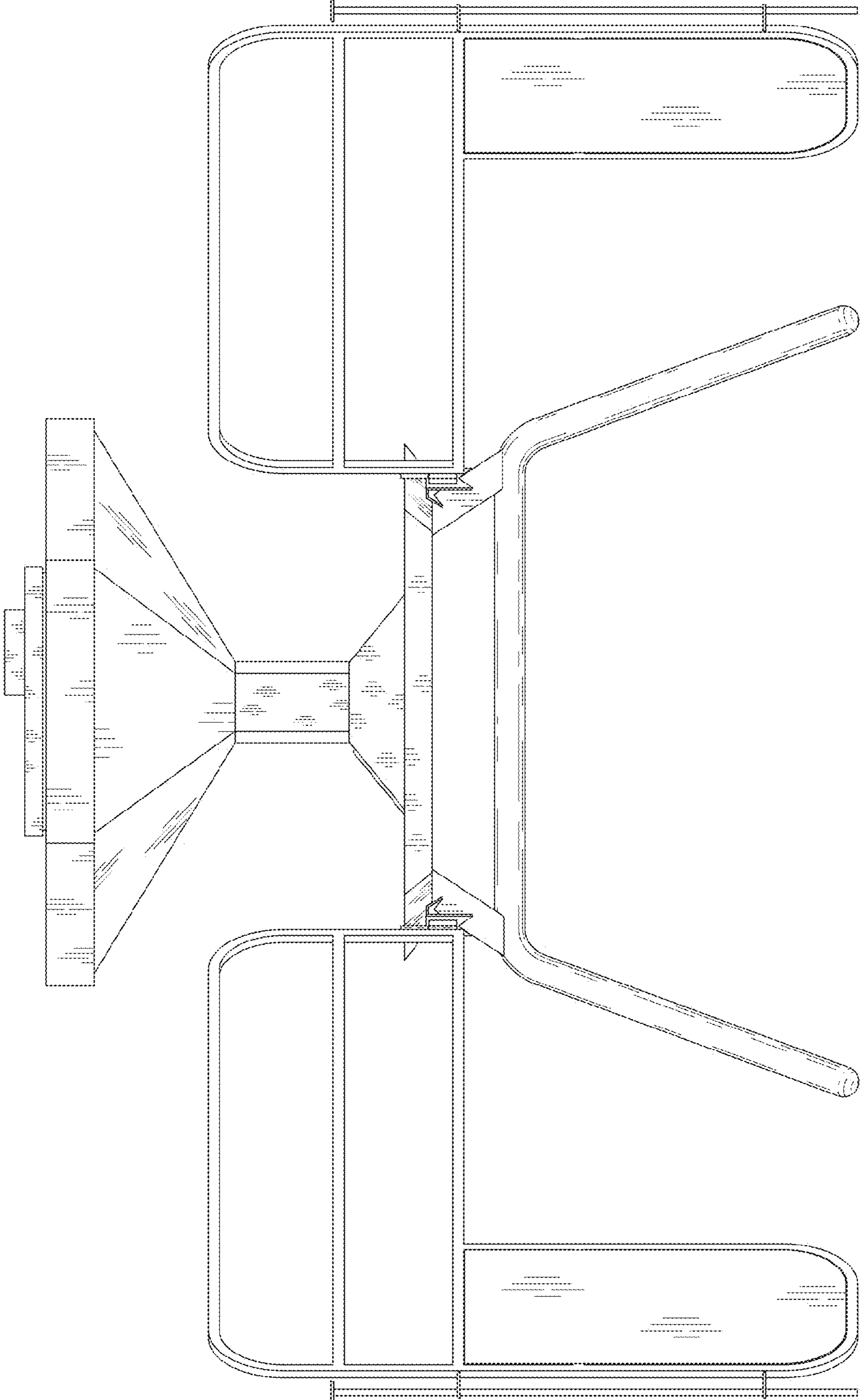
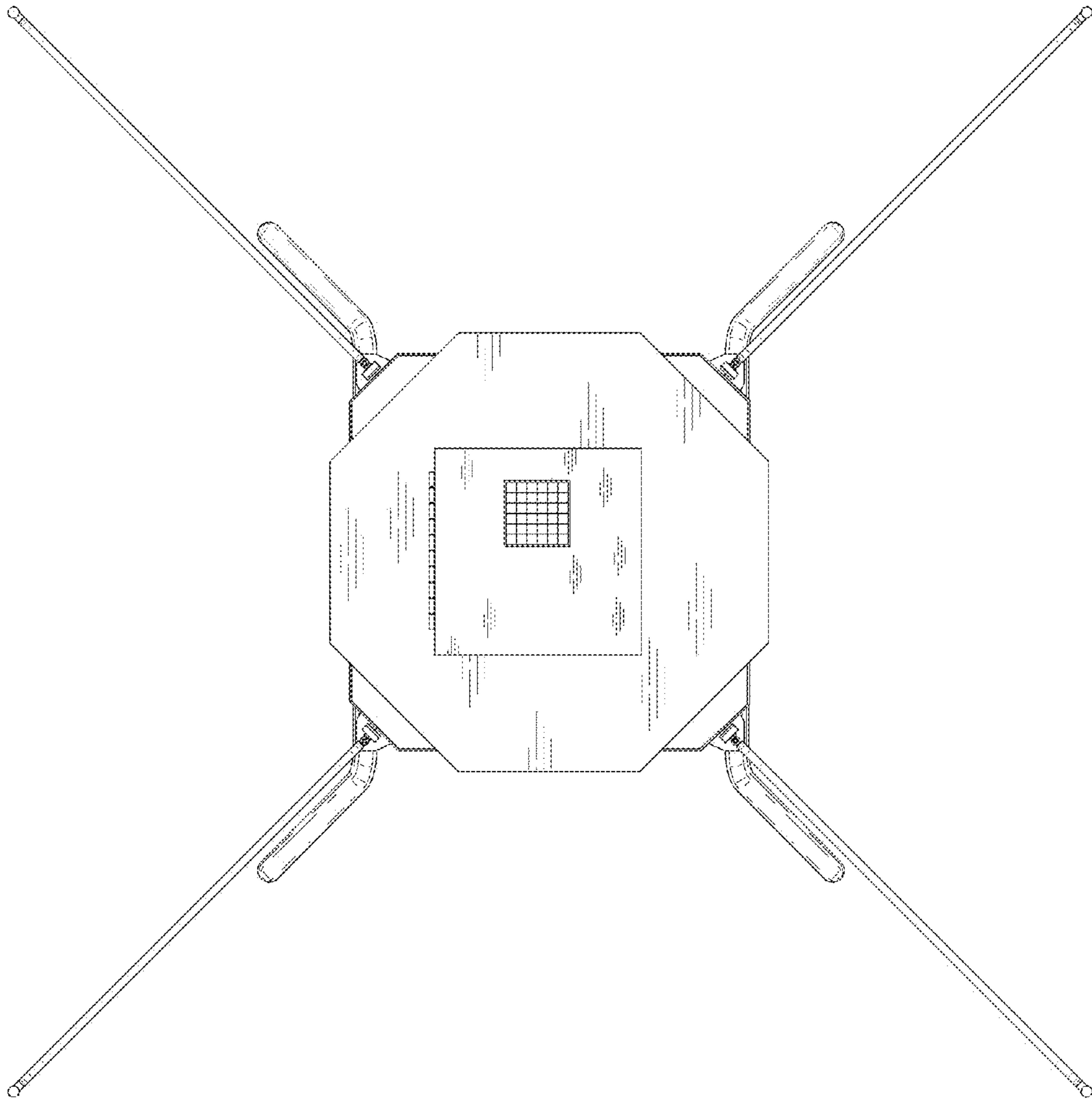
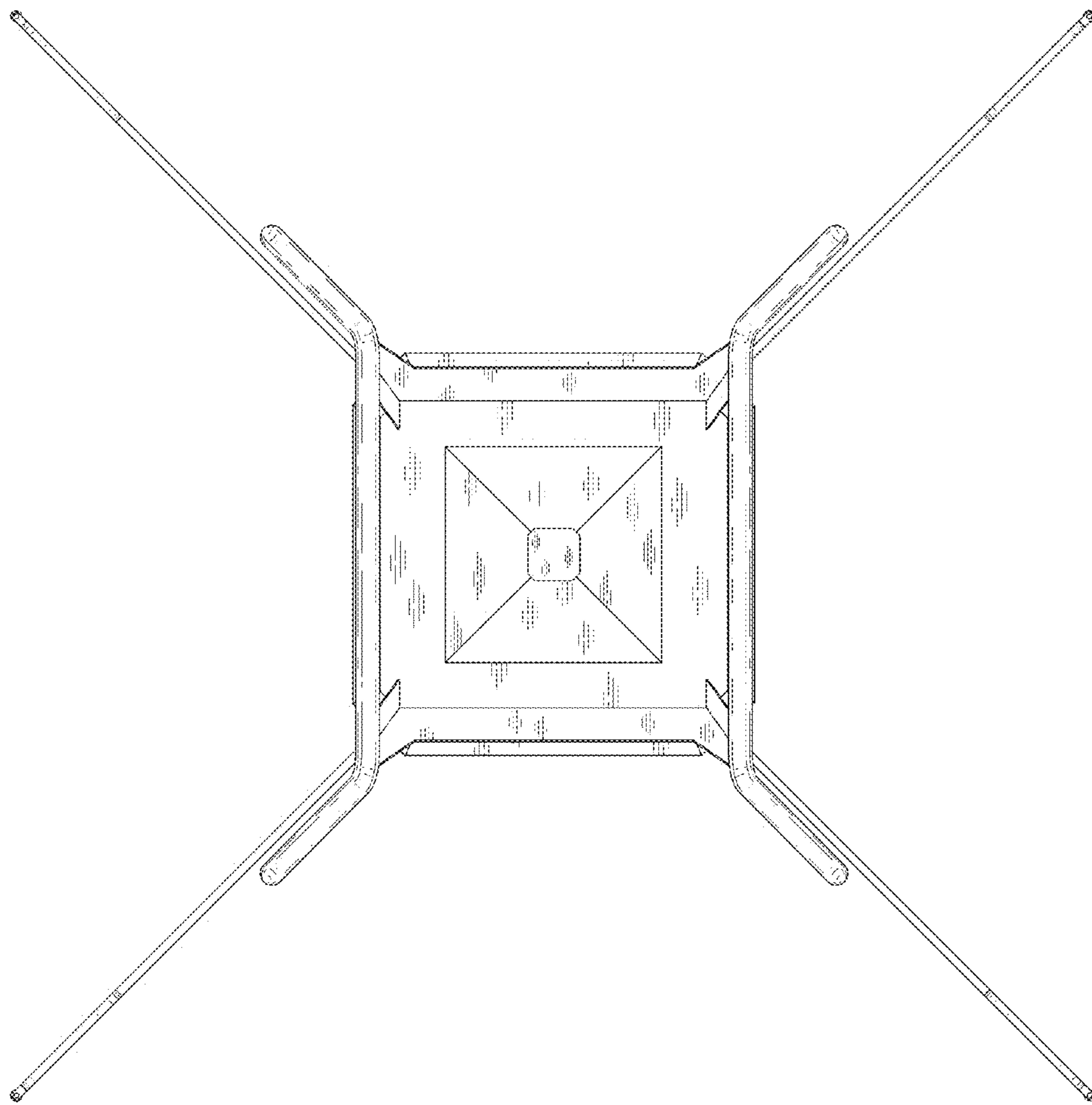


Fig. 5



*Fig. 6*





*Fig. 7*