



US00D739083S

(12) **United States Design Patent**  
**Ho**

(10) **Patent No.:** **US D739,083 S**

(45) **Date of Patent:** **\*\* Sep. 15, 2015**

(54) **LIP ENHANCEMENT AND ENLARGEMENT  
DEVICE**

(71) Applicant: **Thienna Ho**, San Francisco, CA (US)

(72) Inventor: **Thienna Ho**, San Francisco, CA (US)

(\*\*) Term: **14 Years**

(21) Appl. No.: **29/457,913**

(22) Filed: **Jun. 13, 2013**

(51) **LOC (10) Cl.** ..... **28-03**

(52) **U.S. Cl.**

USPC ..... **D28/85**; D28/87; D9/556; D9/429

(58) **Field of Classification Search**

USPC ..... D28/85-90, 91.1, 76, 77, 4, 5, 7, 9, 73,  
D28/99; D4/135; 132/317, 318, 320;  
206/823, 581, 385; 401/68, 88, 98,  
401/126, 127, 128, 12, 129, 130; D9/680,  
D9/695, 686, 688, 689, 690, 692, 693, 719,  
D9/503, 504, 529, 552, 565, 569, 424, 435,  
D9/444, 451, 429, 428, 499, 556, 453;  
D6/514, 517, 559; D3/20, 21, 28,  
D3/203.1, 203.2, 203.3, 203.5, 203.8, 205,  
D3/206, 212, 218, 228, 229, 903, 302;  
D27/190, 193, 144, 110, 105, 183;  
D7/515, 545, 625, 624.1, 624.2, 624.3  
CPC . A45D 33/12; A45D 34/00; A45D 2034/005;  
A45D 2034/002; A45D 2034/007; A45D  
34/02; A45D 34/04; A45D 34/041-34/048;  
A45D 34/06; A45D 40/261; A45D 40/26

See application file for complete search history.

(56) **References Cited**

**U.S. PATENT DOCUMENTS**

D92,581 S \* 6/1934 Chesler ..... D27/152  
D106,571 S \* 10/1937 Loewy ..... D27/160  
D129,942 S \* 10/1941 Petzold ..... D28/88  
D129,944 S \* 10/1941 Petzold ..... D28/85  
2,318,152 A \* 5/1943 Gelardin ..... 401/78

D155,393 S \* 10/1949 D'Escayrac ..... D28/85  
D280,032 S \* 8/1985 Holloway ..... D28/89  
D310,737 S \* 9/1990 Bakic ..... D28/88  
D311,072 S \* 10/1990 Martinoni ..... D28/84  
D354,914 S \* 1/1995 Newman ..... D9/503  
D420,944 S \* 2/2000 Hoagland, IV ..... D12/126  
D452,350 S \* 12/2001 Huang ..... D28/76  
D452,434 S \* 12/2001 Sweeney ..... D9/429  
D453,109 S \* 1/2002 Piquet ..... D9/451  
D456,990 S \* 5/2002 Lusty ..... D3/228  
D496,135 S \* 9/2004 Hillock ..... D28/85  
D534,433 S \* 1/2007 Chadfield ..... D9/723  
D534,796 S \* 1/2007 Falkenburg ..... D9/434

(Continued)

*Primary Examiner* — Marianne Pandozzi

*Assistant Examiner* — Jae Liang

(74) *Attorney, Agent, or Firm* — Jonathan Jaech; Snell & Wilmer L.L.P.

(57) **CLAIM**

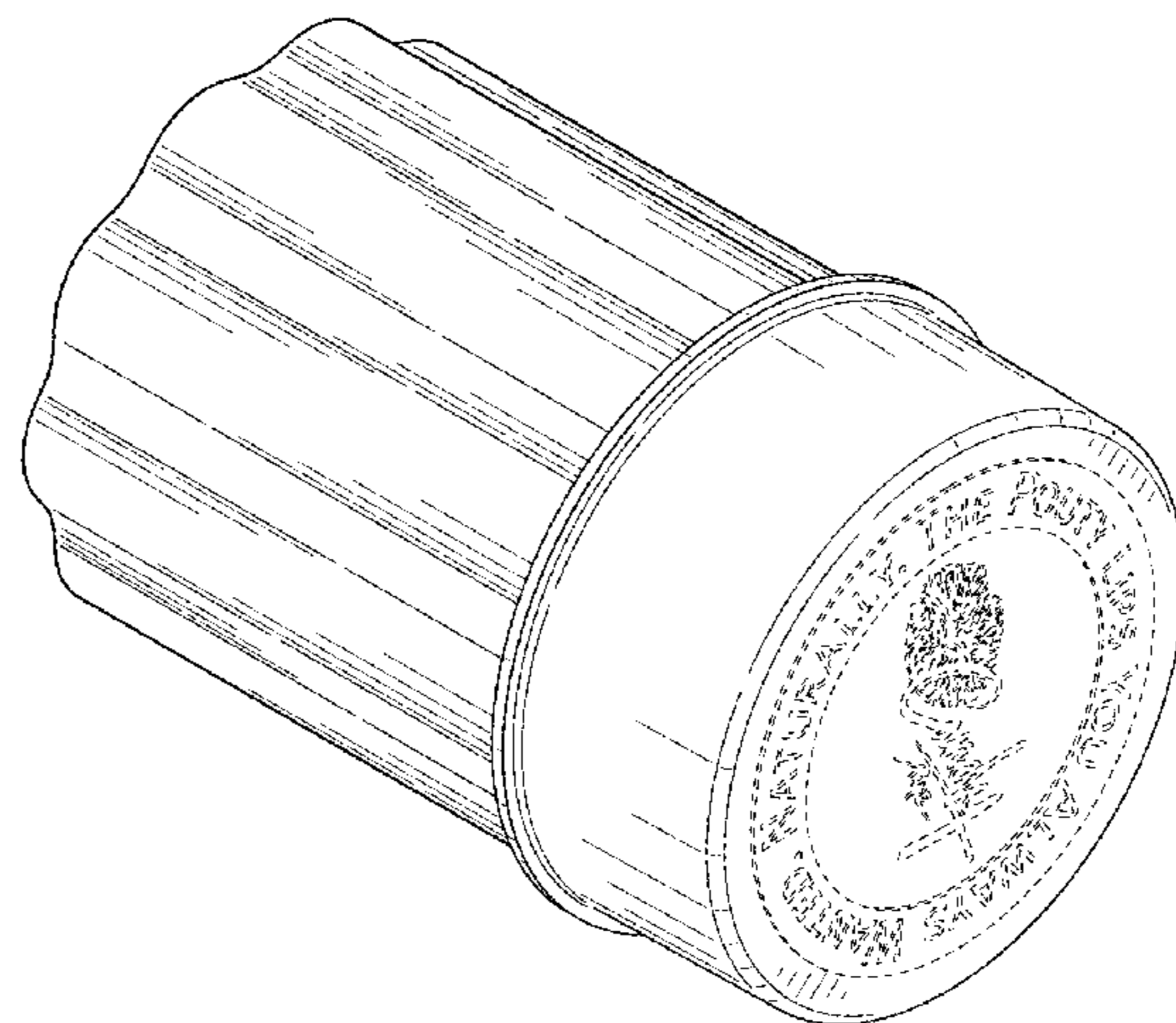
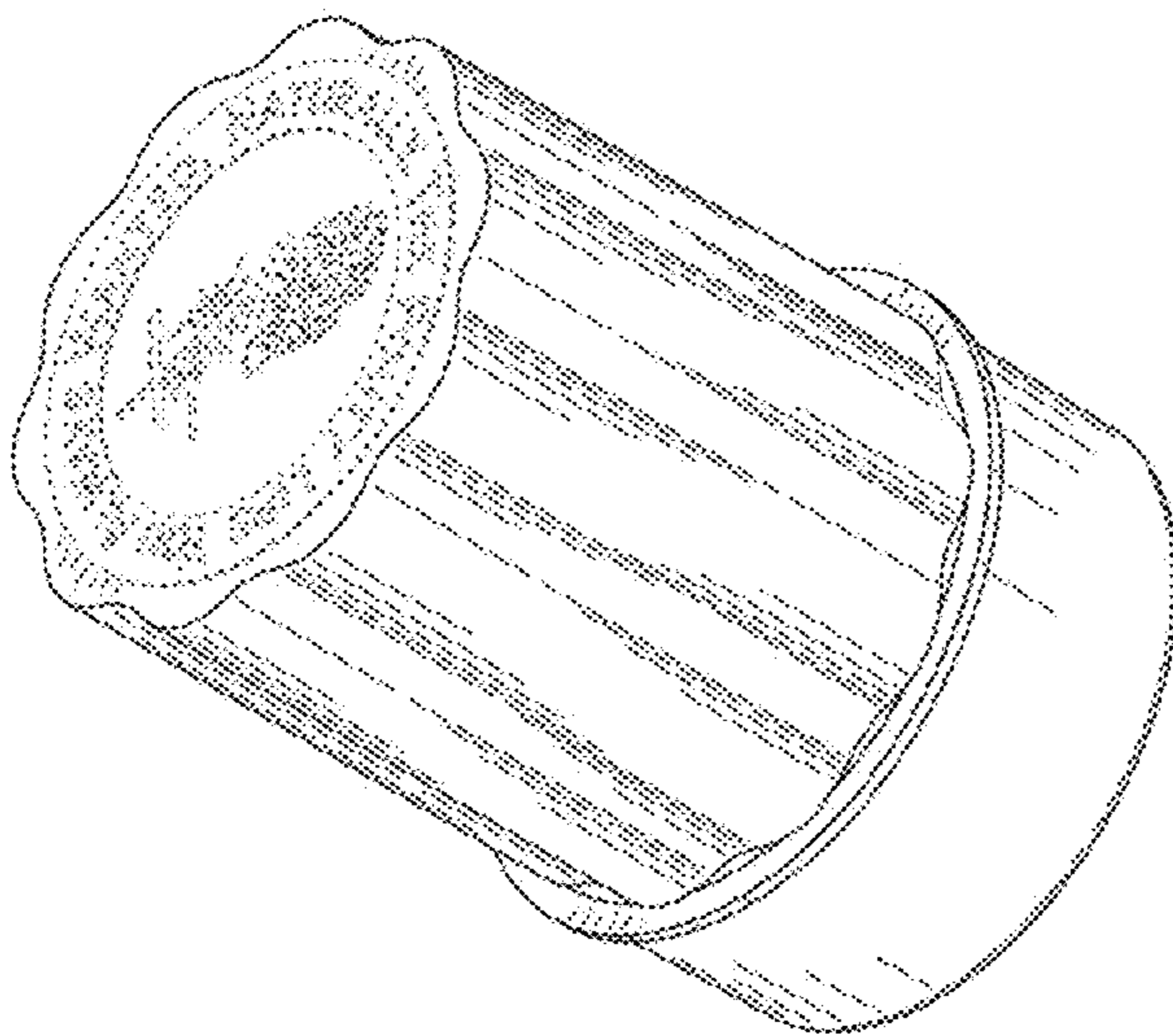
An ornamental design for a lip enhancement and enlargement device, as shown and described.

**DESCRIPTION**

FIG. 1 is a top perspective view of a lip enhancement and enlargement device showing my new design;  
FIG. 2 is a right side elevational view thereof;  
FIG. 3 is a front view elevational view thereof;  
FIG. 4 is a left side elevational view thereof;  
FIG. 5 is a bottom perspective view thereof;  
FIG. 6 is an exploded view thereof;  
FIG. 7 is a top perspective view thereof with broken lines removed for ease of illustration;  
FIG. 8 is a right side view thereof with broken lines removed for ease of illustration; and,  
FIG. 9 is a left side view thereof with broken lines removed for ease of illustration.

The broken lines showing in the figure drawings are included for the purpose of illustration and form no part of the claimed design.

**1 Claim, 6 Drawing Sheets**



(56)

**References Cited**

U.S. PATENT DOCUMENTS

D542,133 S \* 5/2007 Haber et al. .... D9/453  
D567,448 S \* 4/2008 Mascotte et al. .... D28/90  
D583,678 S \* 12/2008 Yamamoto ..... D9/692

D586,434 S \* 2/2009 Brockington et al. .... D23/259  
D596,036 S \* 7/2009 Yamamoto ..... D9/529  
D662,869 S \* 7/2012 Ballard ..... D12/213  
D677,161 S \* 3/2013 Titherington ..... D9/453  
D717,948 S \* 11/2014 Strong et al. .... D24/130

\* cited by examiner

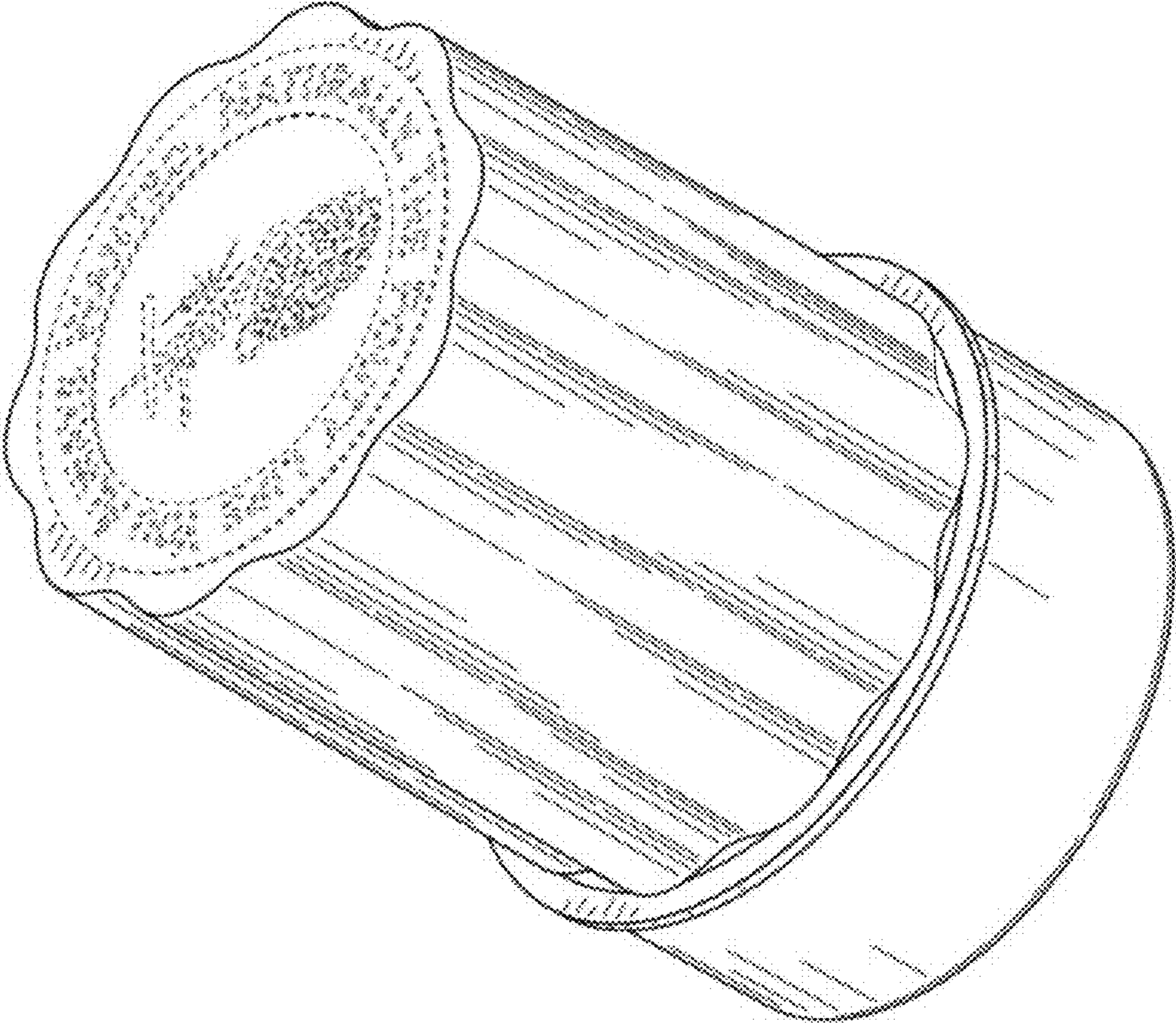


FIG. 1

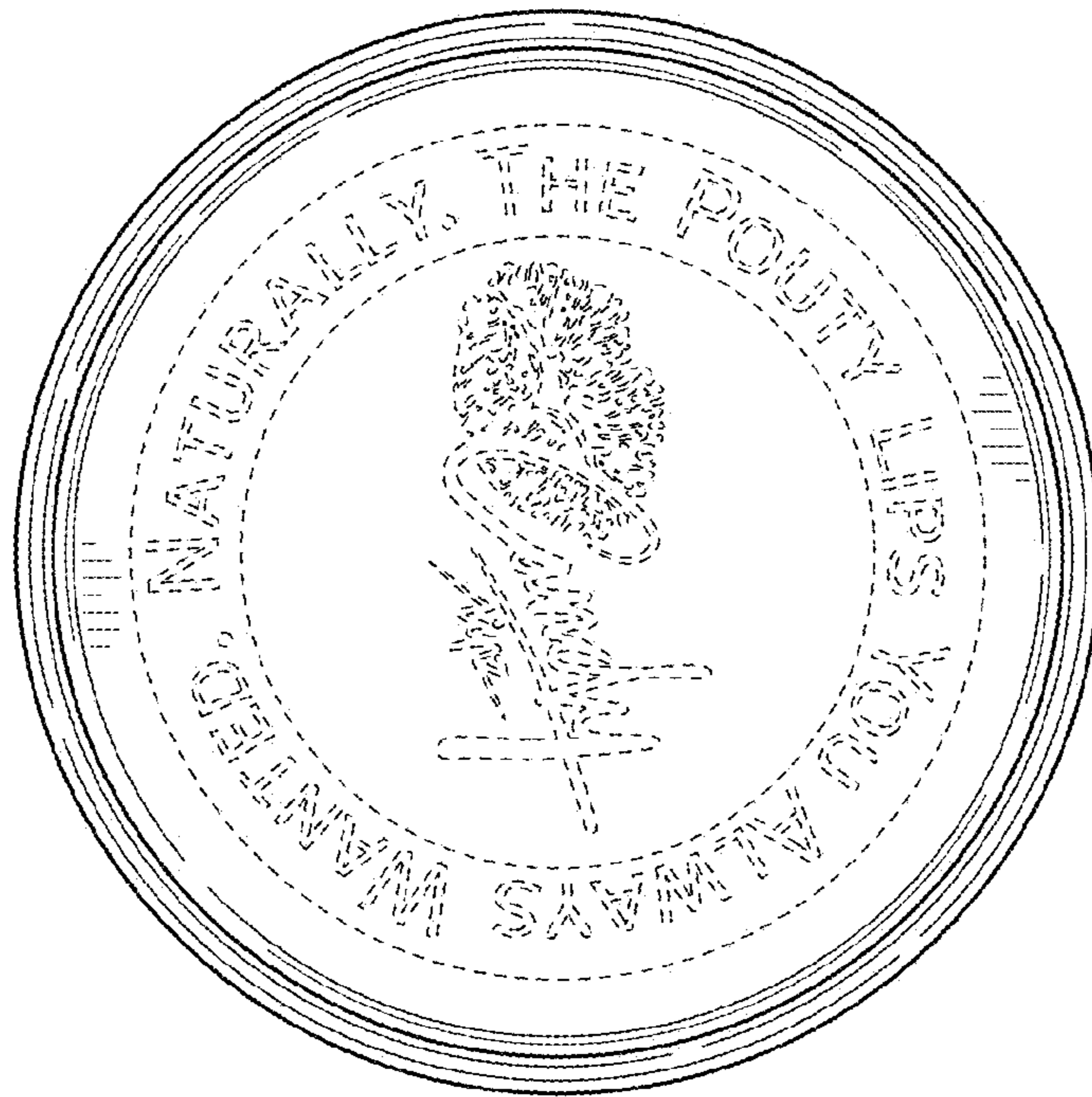


FIG. 2

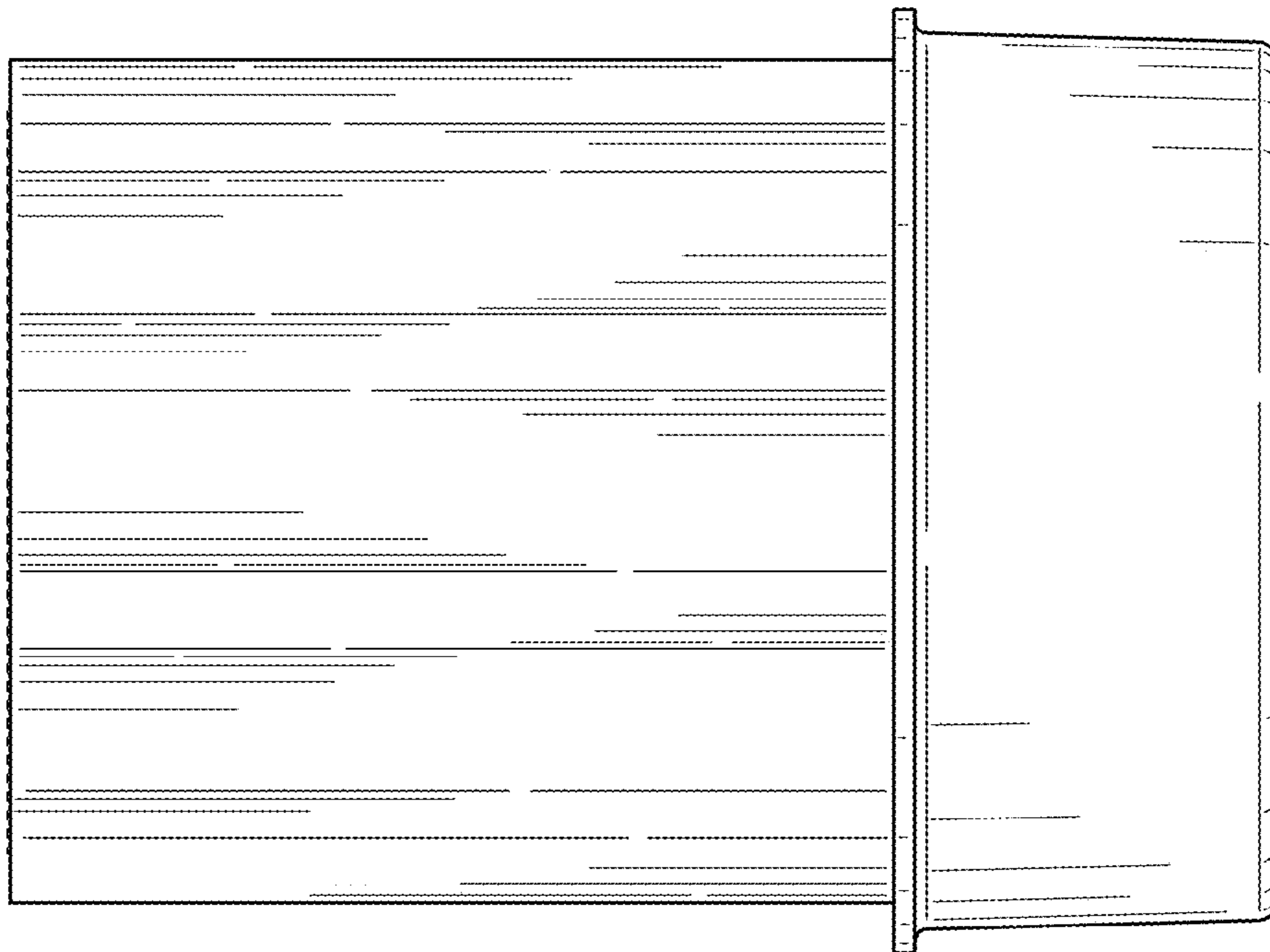


FIG. 3

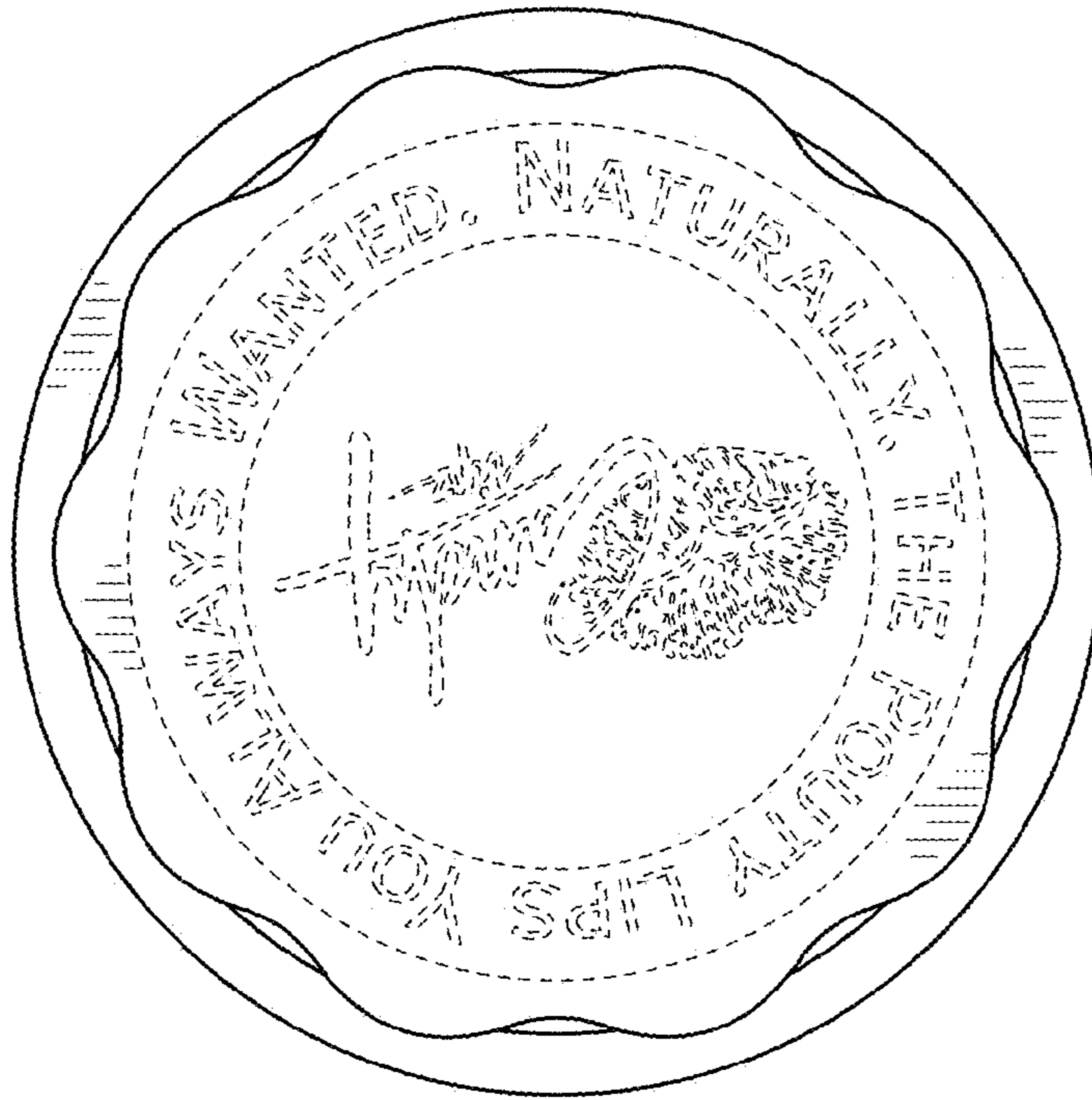


FIG. 4

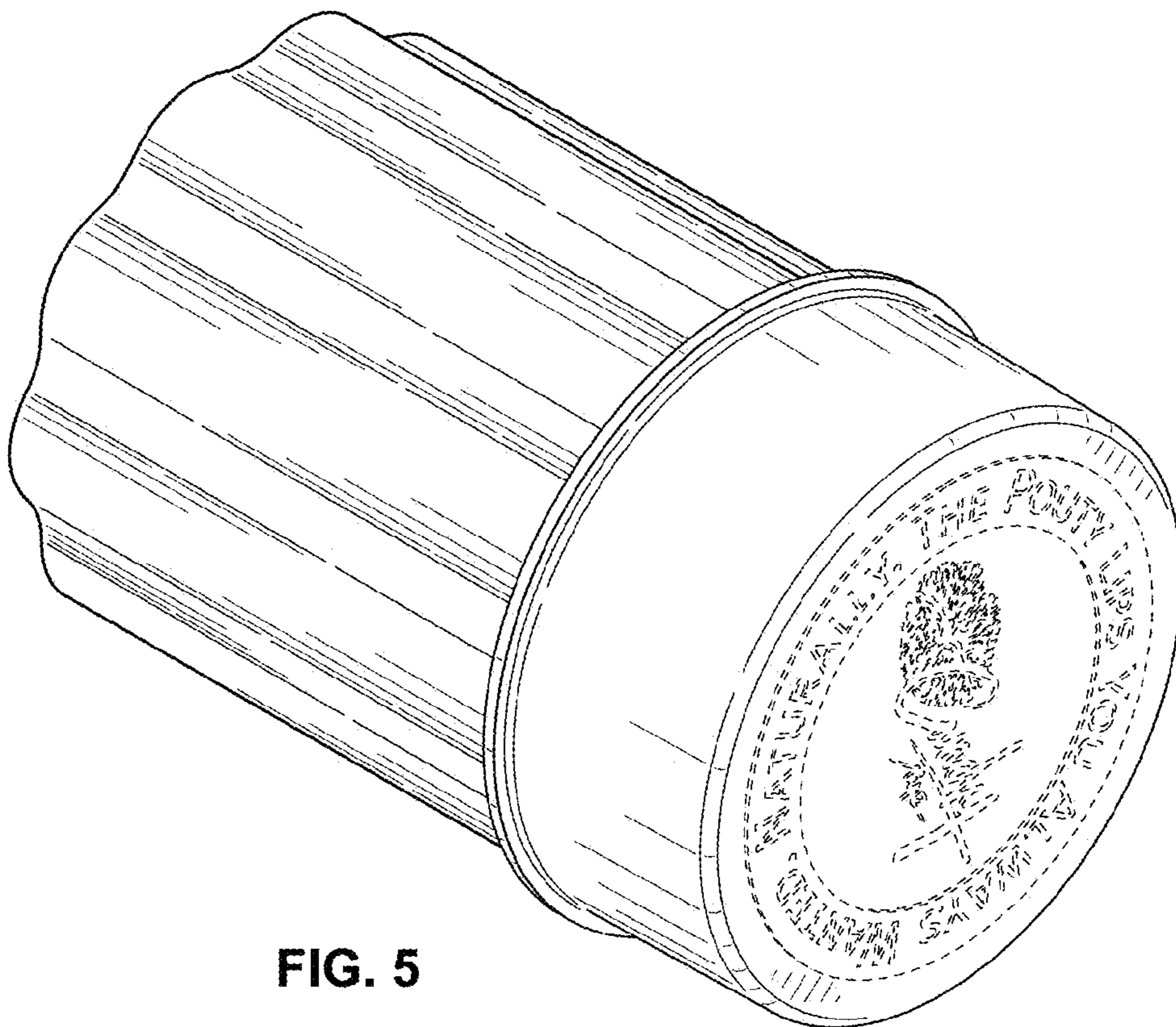


FIG. 5

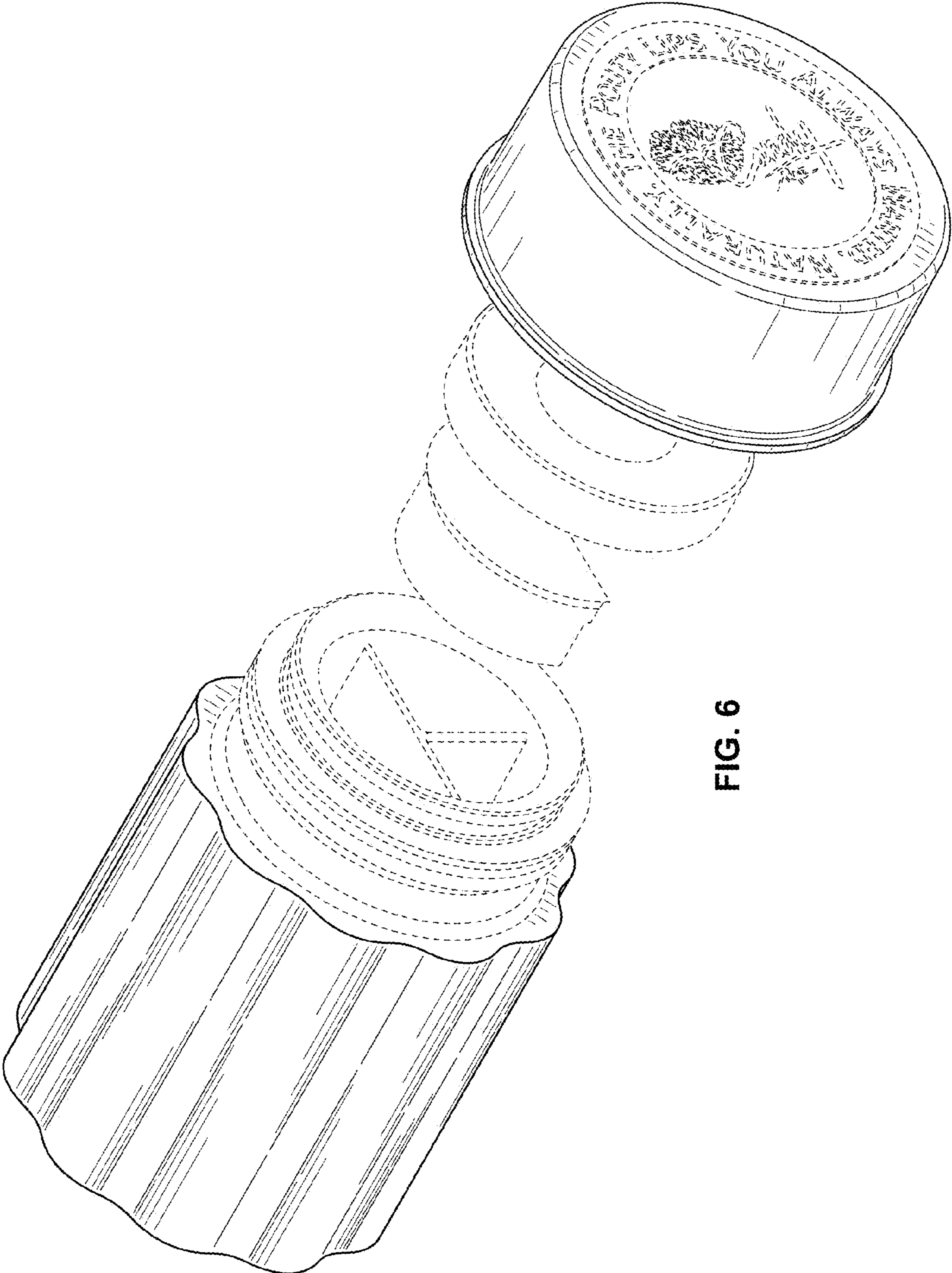


FIG. 6

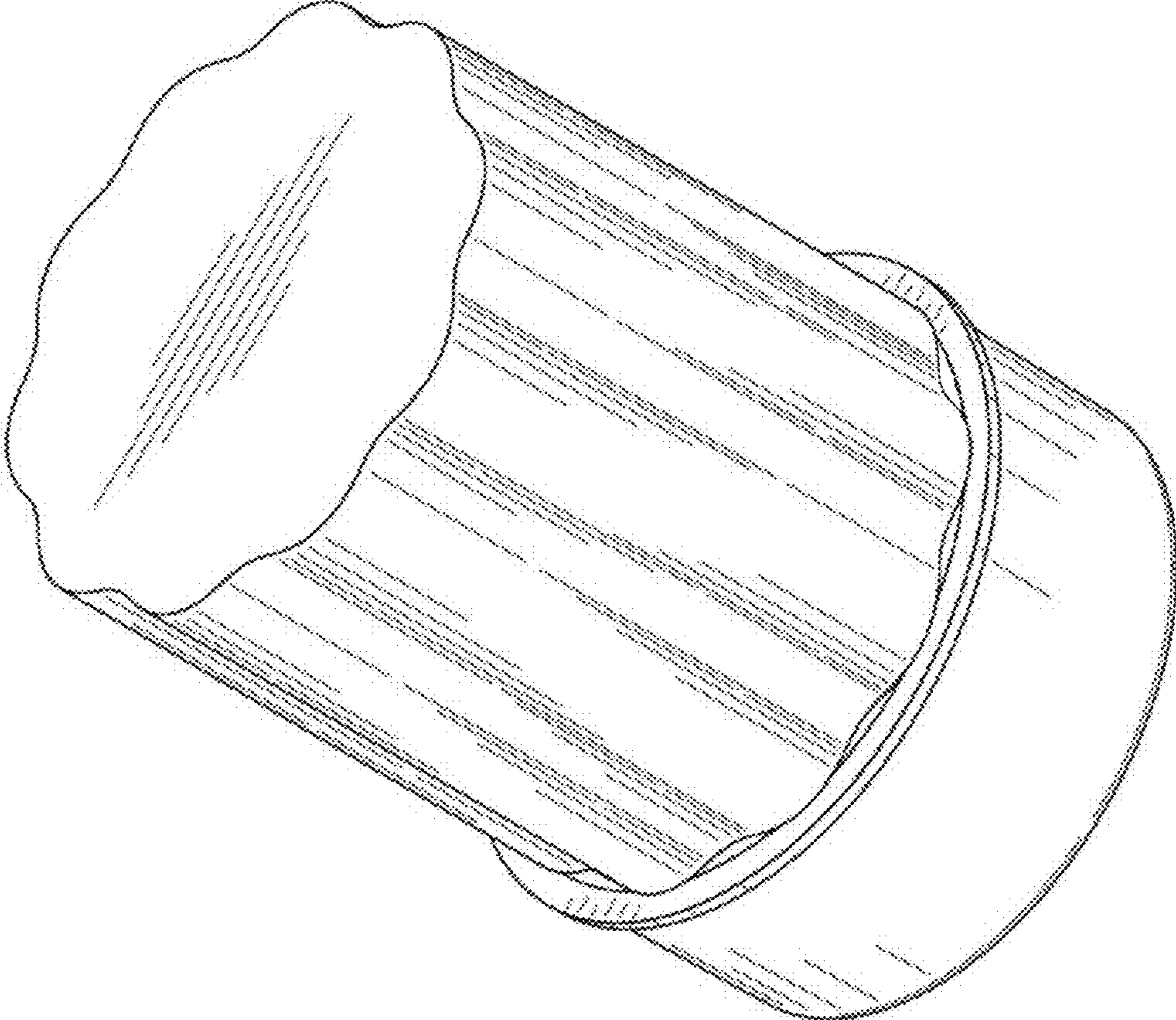


FIG. 7

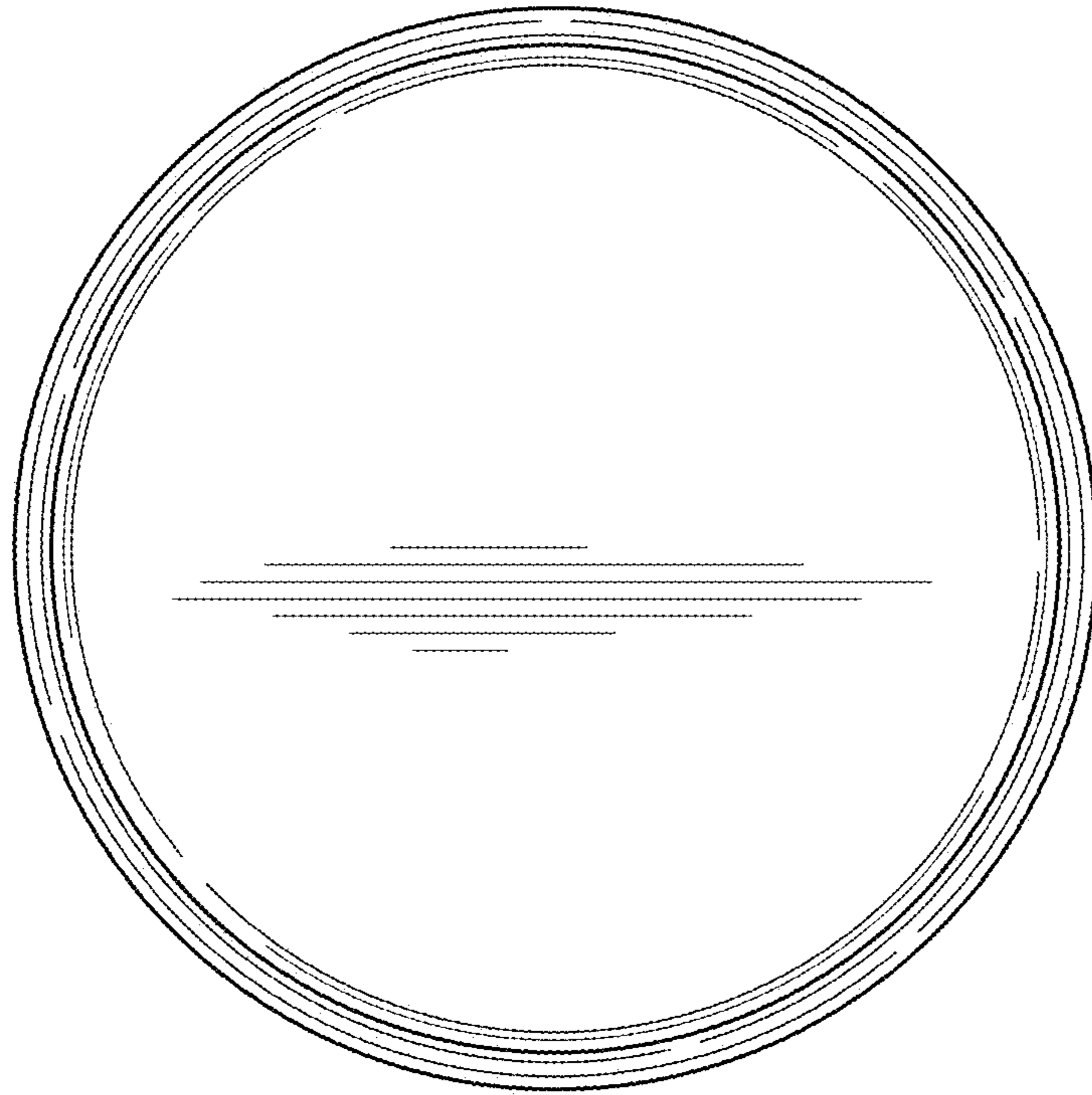


FIG. 8

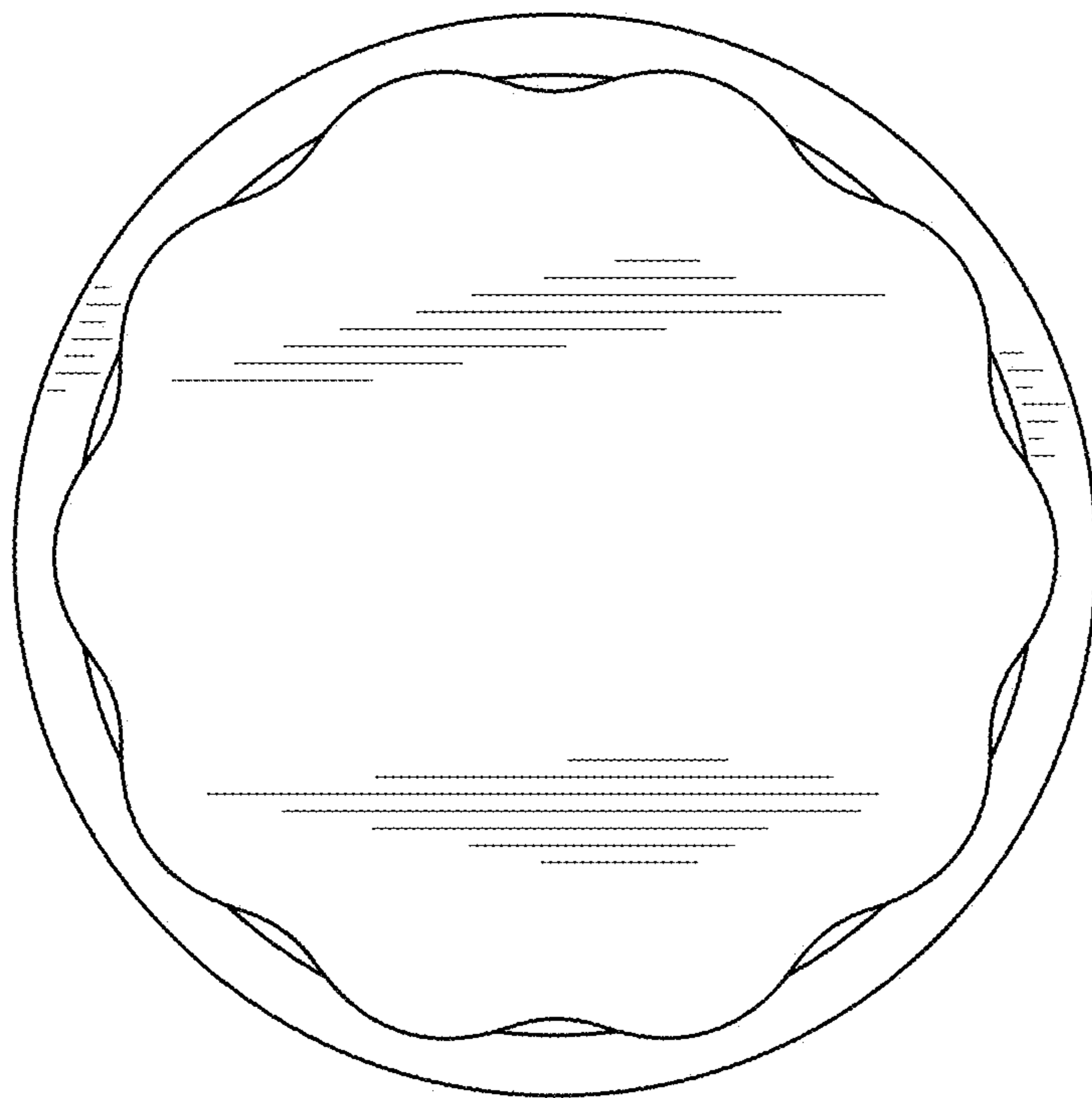


FIG. 9