



US00D739080S

(12) **United States Design Patent**
Yiu

(10) **Patent No.:** **US D739,080 S**

(45) **Date of Patent:** **** Sep. 15, 2015**

- (54) **COSMETIC DEVICE**
- (71) Applicant: **Forstar Limited**, Kowloon (HK)
- (72) Inventor: **Wai Wah Yiu**, Kowloon (HK)
- (73) Assignee: **FORSTAR LIMITED**, Kowloon (HK)
- (**) Term: **14 Years**
- (21) Appl. No.: **29/481,629**
- (22) Filed: **Feb. 7, 2014**

- 3,581,393 A 6/1971 Yager
- 4,935,184 A 6/1990 Sorensen
- 5,033,485 A 7/1991 Hauerwas et al.
- 5,281,233 A 1/1994 Dolev
- 5,377,699 A 1/1995 Varnum
- 5,383,273 A 1/1995 Muller et al.
- D409,335 S 5/1999 Slater
- 5,976,157 A 11/1999 Yiu
- 6,123,713 A 9/2000 Yiu
- 6,159,222 A 12/2000 Yiu
- 6,391,034 B1 5/2002 Adamson et al.

(Continued)

OTHER PUBLICATIONS

Notice of Allowance on U.S. Appl. No. 29/440,569 Dated Oct. 28, 2013, 10 pages.

(Continued)

Primary Examiner — Jennifer Rivard
(74) *Attorney, Agent, or Firm* — Foley & Lardner LLP

Related U.S. Application Data

- (60) Continuation of application No. 29/440,569, filed on Dec. 21, 2012, now Pat. No. Des. 701,648, which is a division of application No. 29/386,882, filed on Mar. 4, 2011, now Pat. No. Des. 676,200.

Foreign Application Priority Data

- Oct. 29, 2010 (CN) 2010 3 0582522

- (51) **LOC (10) Cl.** **28-03**

- (52) **U.S. Cl.**
USPC **D28/62; D28/54**

- (58) **Field of Classification Search**
USPC 132/73, 73.5–73.6, 75.3, 75.6, 75.8,
132/76.4–76.5; D28/56–62, 49–54;
30/43.92, 34.1, 26; D24/146–146, 133;
606/131–134; 607/88
CPC A61B 17/54; A45D 44/00; A45D 29/14;
A45D 29/05; A45D 29/00
See application file for complete search history.

References Cited

U.S. PATENT DOCUMENTS

- 1,482,837 A 2/1924 Buck
- 2,867,214 A 1/1959 Wilson
- 2,936,768 A 5/1960 Chamberlain

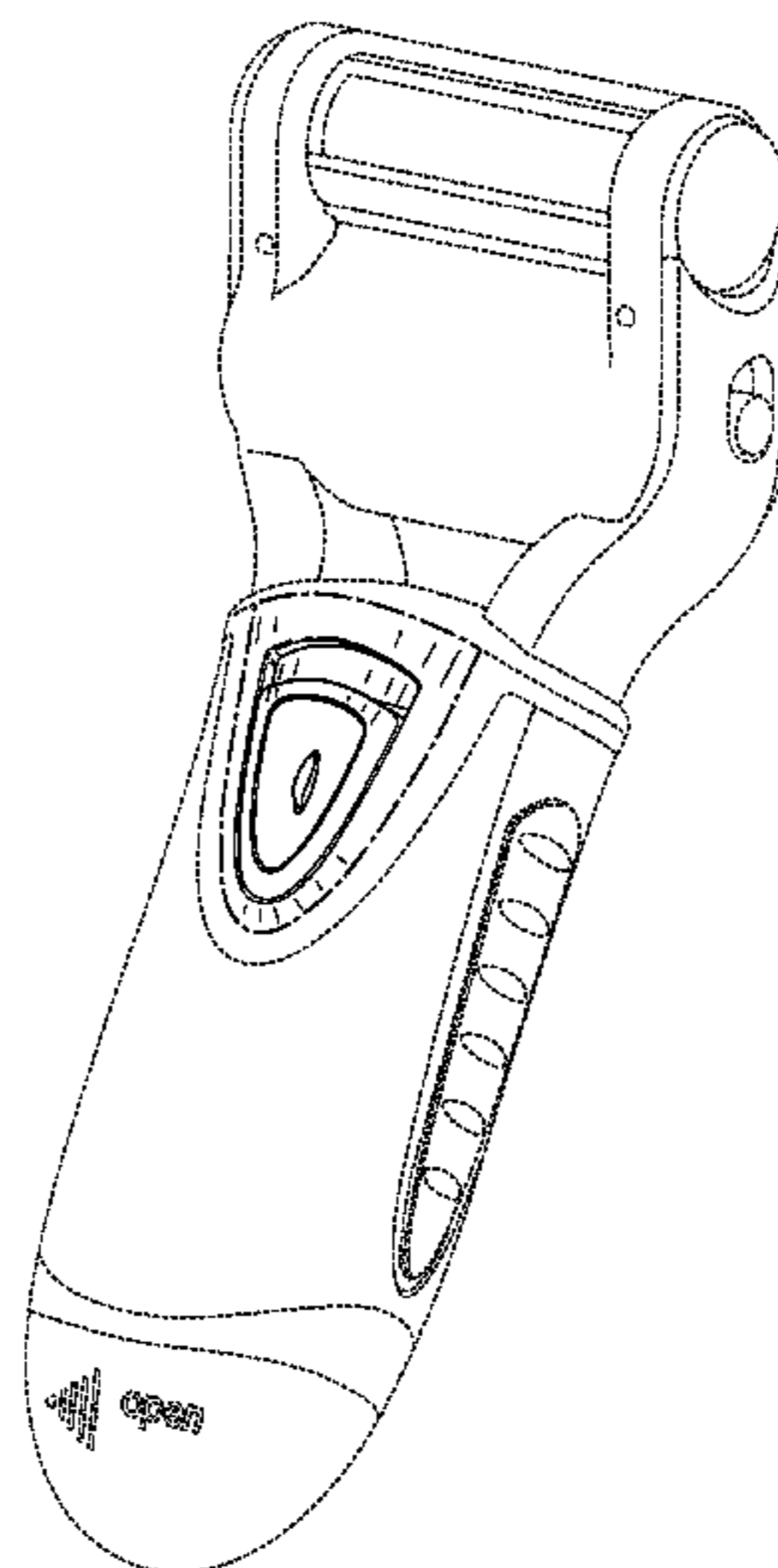
- (57) **CLAIM**
I claim the ornamental design for a cosmetic device, as shown and described.

DESCRIPTION

FIG. 1 is a top perspective view of the claimed design;
 FIG. 2 is a bottom perspective view thereof;
 FIG. 3 is a top plan view thereof;
 FIG. 4 is a bottom plan view thereof;
 FIG. 5 is a left side view thereof;
 FIG. 6 is a right side view thereof;
 FIG. 7 is a rear view thereof; and,
 FIG. 8 is a front view thereof.

The ornamental design which is claimed is shown in solid lines in the drawings. The equal length broken lines illustrate portions of the article. The dash-dot broken lines illustrate boundaries between claimed and unclaimed portions of the design. None of the broken lines form part of the claimed design.

1 Claim, 6 Drawing Sheets



(56)

References Cited

U.S. PATENT DOCUMENTS

6,436,106 B2 8/2002 Yiu
 6,471,712 B2 10/2002 Burres
 6,523,546 B2 2/2003 Jo et al.
 6,551,262 B1 4/2003 Lechtman
 6,824,461 B1 11/2004 Dolev
 6,824,546 B1 11/2004 Yiu
 D499,842 S 12/2004 Yiu
 D509,626 S 9/2005 Yiu
 D514,745 S * 2/2006 Nishizawa D28/49
 D556,380 S 11/2007 Long
 D570,543 S * 6/2008 Hara et al. D28/53
 D581,596 S 11/2008 Sarway
 D598,165 S 8/2009 Platek
 7,581,545 B1 9/2009 Moldawski et al.
 7,597,696 B2 10/2009 Poran
 D611,198 S 3/2010 Platek
 D621,097 S * 8/2010 Nishizawa D28/51
 D626,693 S 11/2010 Harbeke
 D628,744 S 12/2010 Goetschi
 D638,166 S 5/2011 Martinez De San Vicente
 D645,204 S 9/2011 Platek
 D676,200 S 2/2013 Yiu
 D678,614 S 3/2013 Yiu
 D681,277 S 4/2013 Yiu
 D686,370 S 7/2013 Yiu
 D692,181 S 10/2013 Yiu
 8,545,516 B1 * 10/2013 Winnett et al. 606/131
 D696,817 S * 12/2013 Prat-Pfister et al. D28/50

D706,986 S * 6/2014 Yiu D28/62
 D709,650 S * 7/2014 Yiu D28/58
 D715,493 S * 10/2014 Yiu D28/58
 D718,900 S * 12/2014 Kikuchi et al. D28/54
 2002/0107527 A1 * 8/2002 Burres 606/131
 2005/0187563 A1 8/2005 Yiu
 2006/0260629 A1 11/2006 Chern
 2008/0187563 A1 8/2008 Levy
 2009/0182349 A1 7/2009 Poran
 2009/0301507 A1 12/2009 Tes et al.
 2012/0226289 A1 9/2012 Yiu
 2014/0025091 A1 * 1/2014 Yiu 606/131

OTHER PUBLICATIONS

Office Action on U.S. Appl. No. 29/386,882 Dated Mar. 1, 2012, 11 pages.
 Notice of Allowance on U.S. Appl. No. 29/386,882 Dated Oct. 2, 2012, 7 pages.
 U.S. Appl. No. 29/433,639, filed Oct. 2, 2012, Forstar Limited.
 U.S. Appl. No. 29/435,131, filed Oct. 19, 2012, Soft Lines International, Inc.
 U.S. Appl. No. 29/440,569, filed Dec. 21, 2012, Forstar Limited.
 U.S. Appl. No. 29/456,966, filed Jun. 5, 2013, Soft Lines International, Ltd.
 U.S. Appl. No. 29/459,570, filed Jul. 1, 2013, Soft Lines International, Ltd.
 U.S. Appl. No. 29/468,166, filed Sep. 26, 2013, Soft Lines International, Ltd.

* cited by examiner

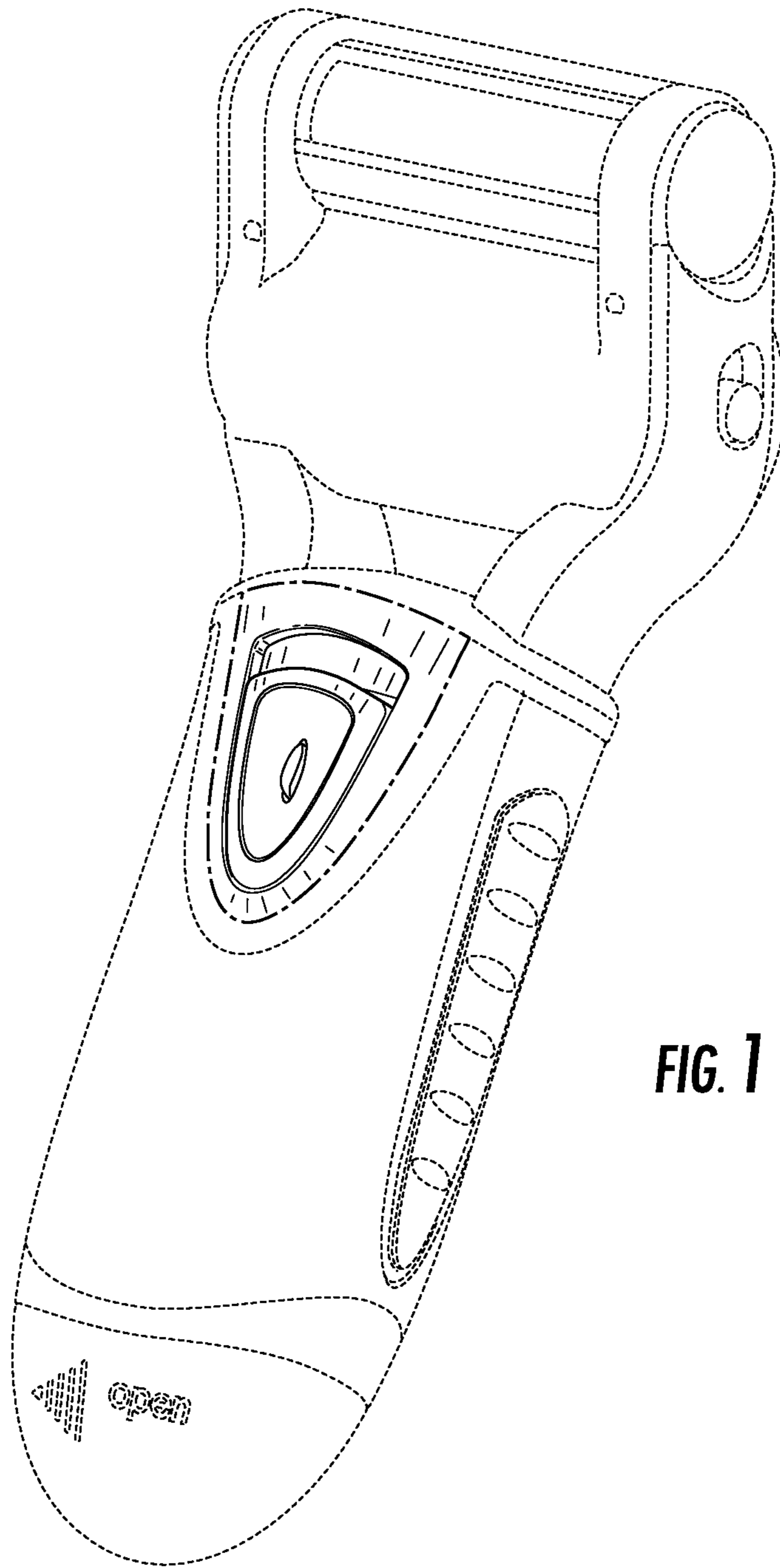


FIG. 1

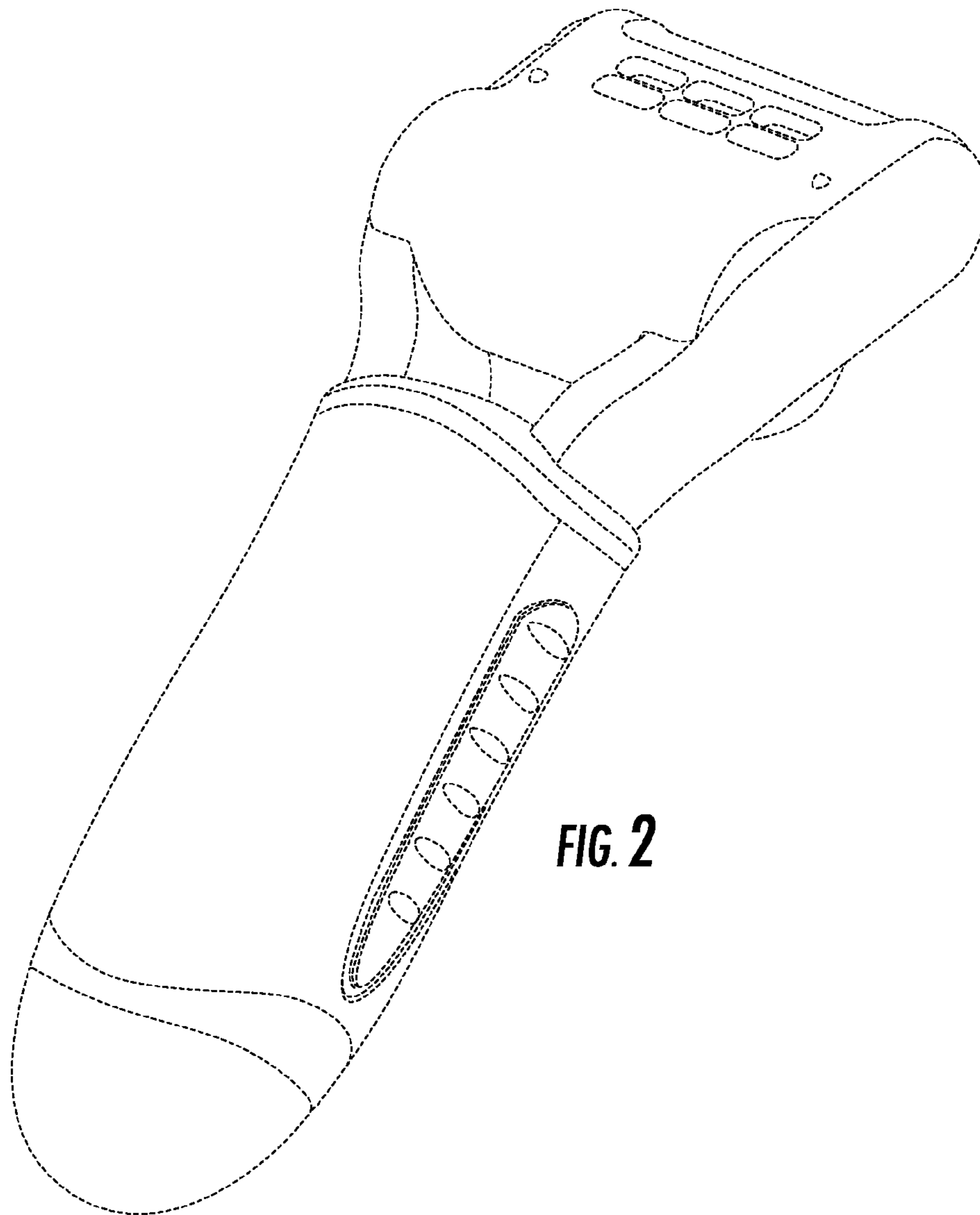


FIG. 2

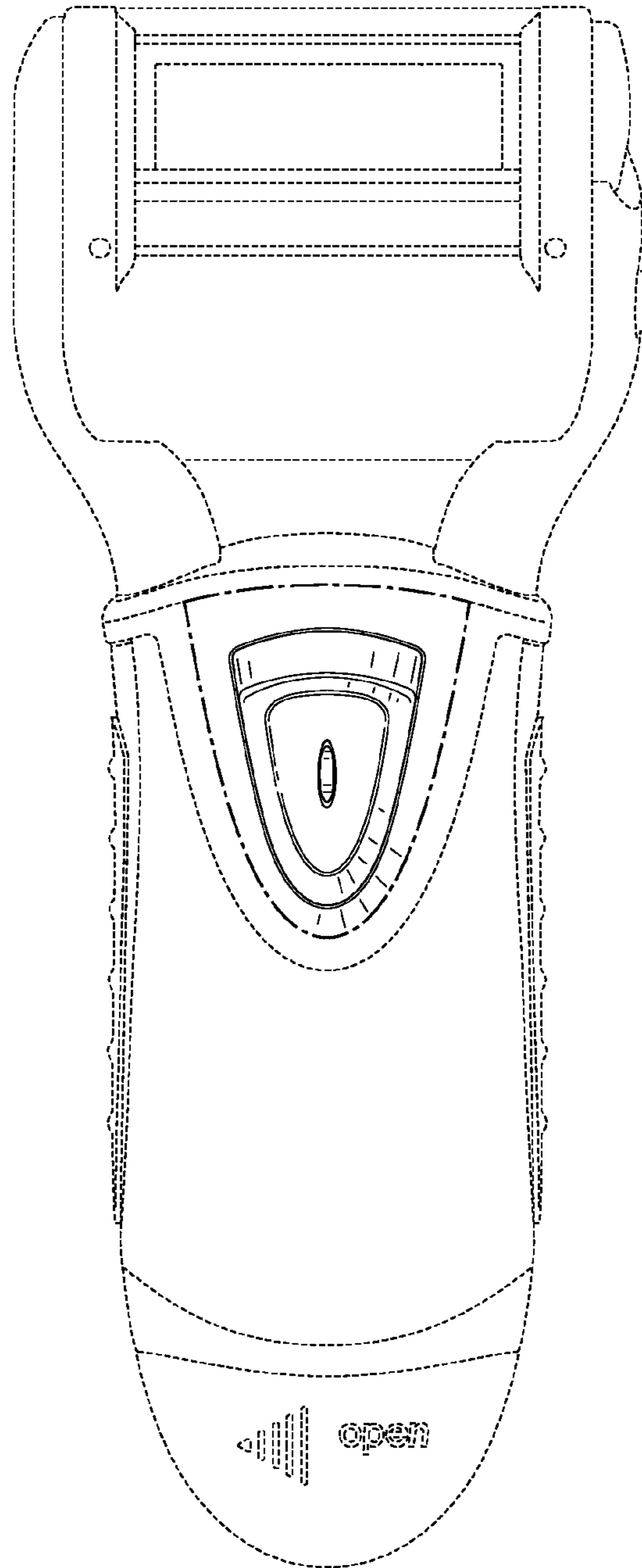


FIG. 3

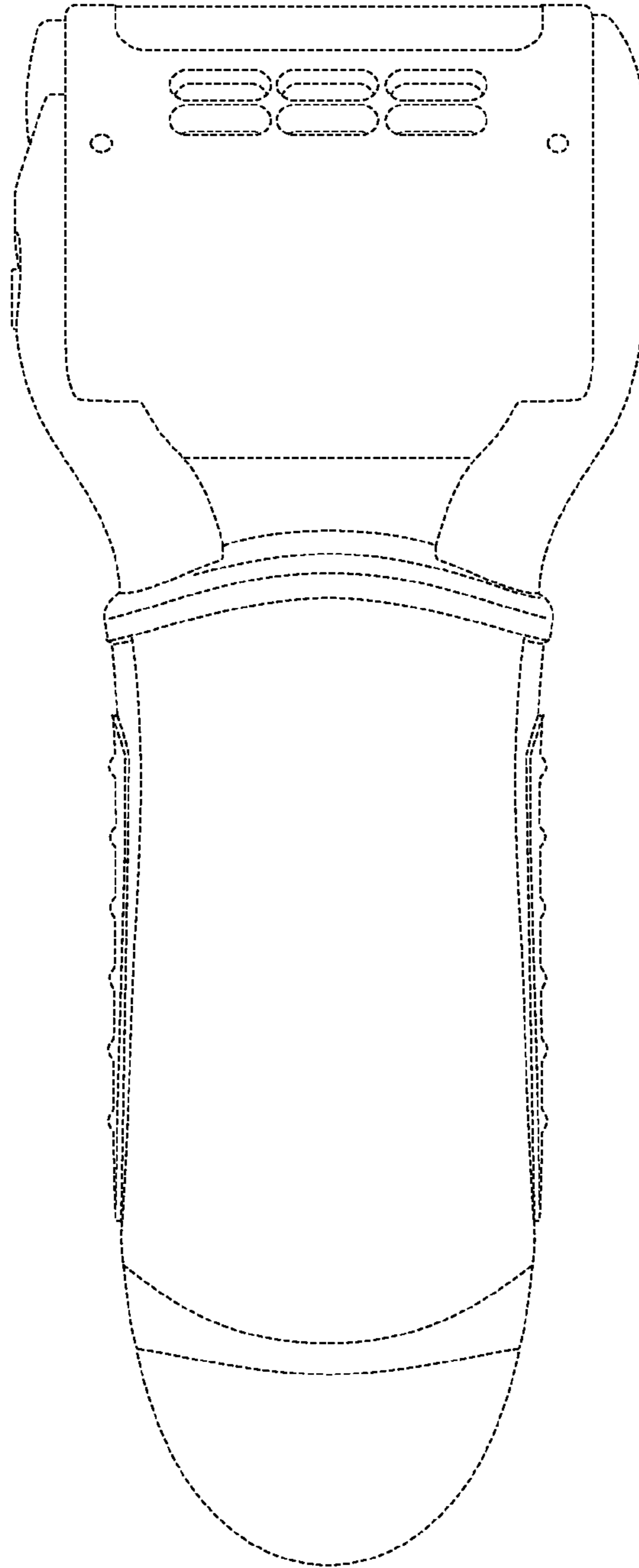


FIG. 4

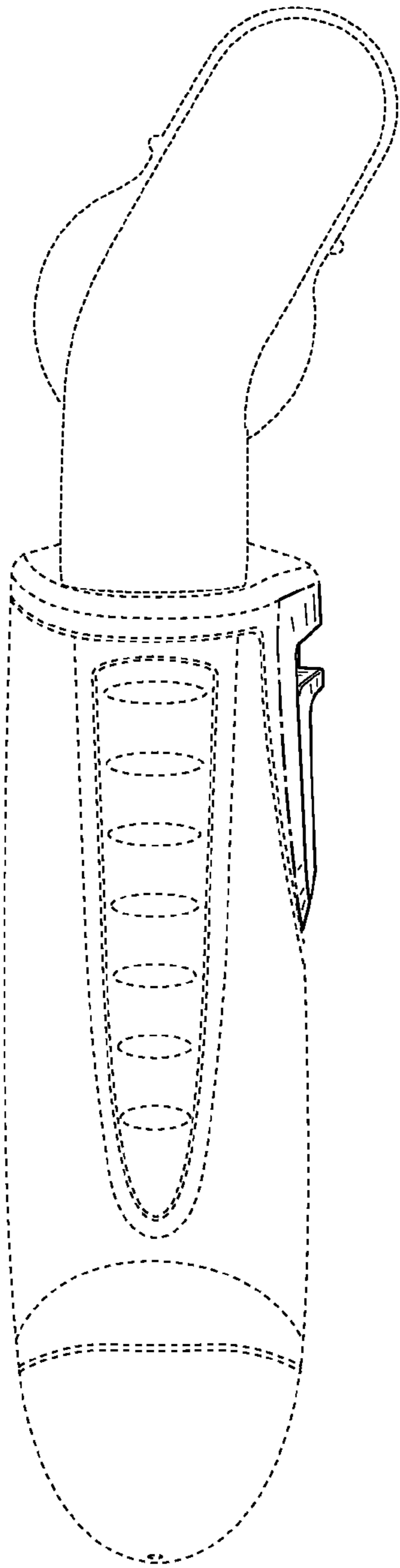


FIG. 5

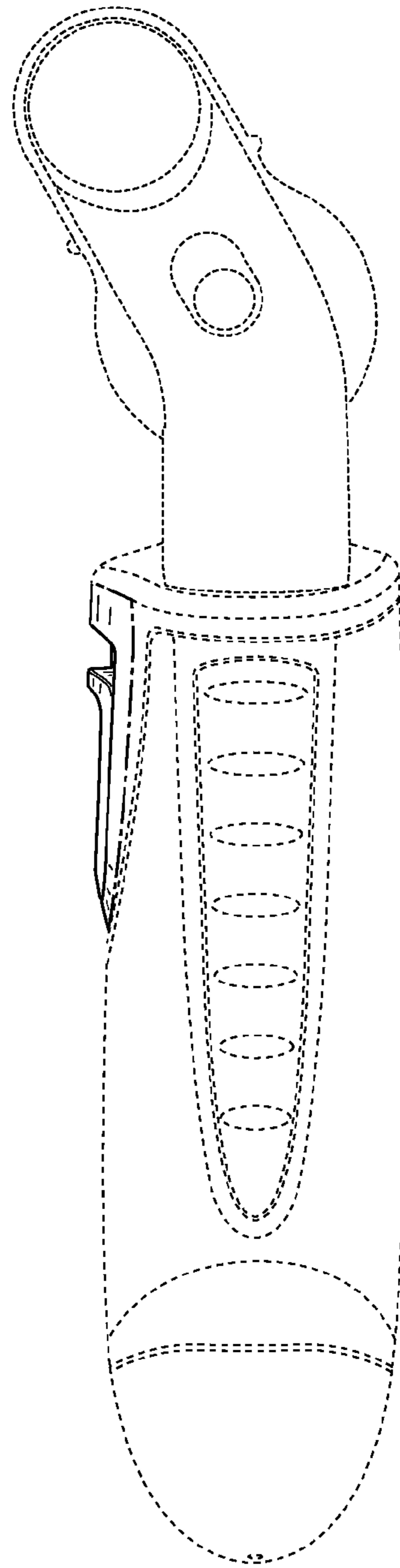


FIG. 6

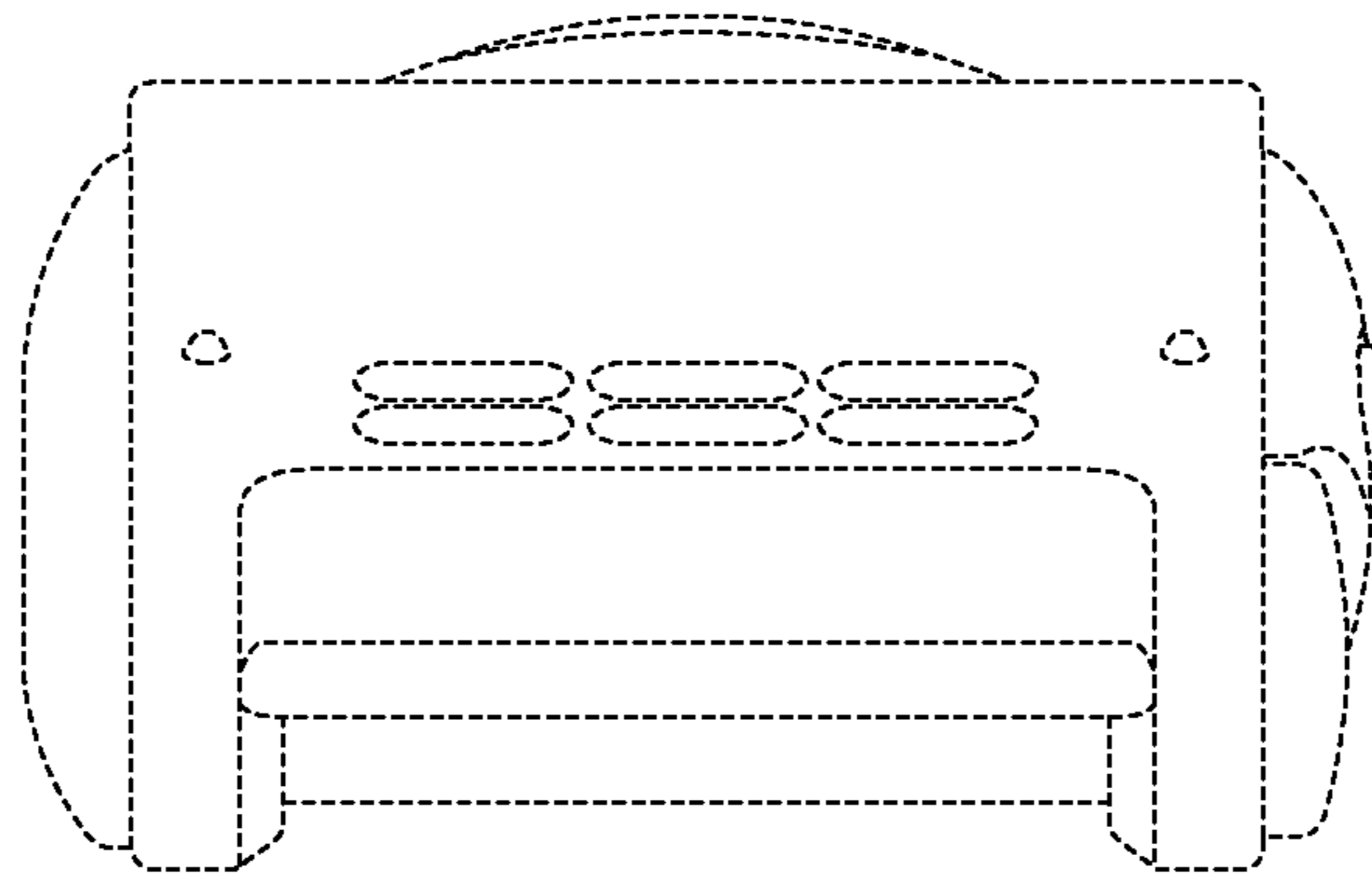


FIG. 7

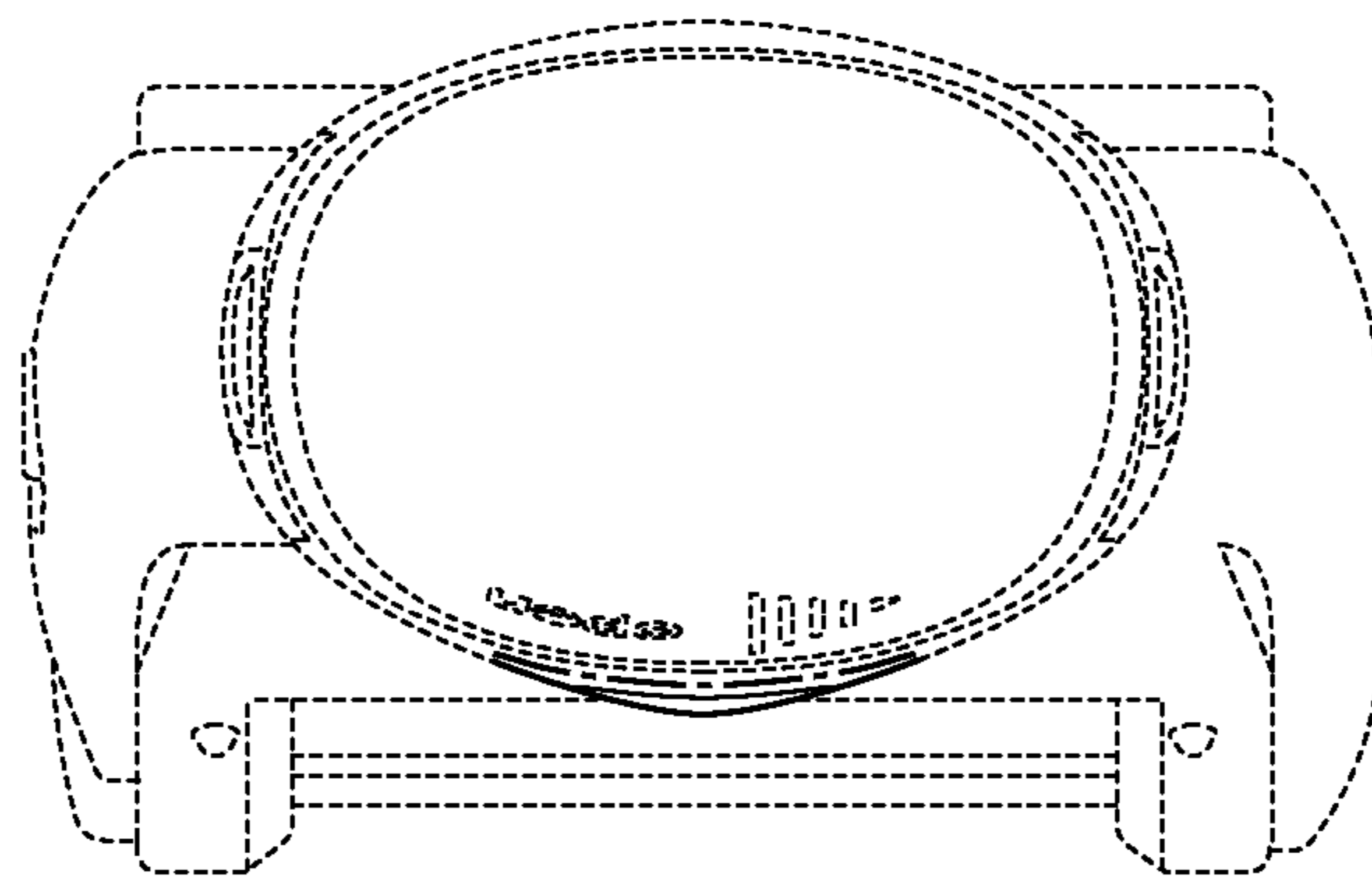


FIG. 8