



US00D739079S

(12) **United States Design Patent**
Spenard

(10) **Patent No.:** **US D739,079 S**

(45) **Date of Patent:** **** Sep. 15, 2015**

(54) **COMBINED CONTAINER AND CURLERS**

(71) Applicant: **Heidy Blaney Spenard**, Saco, ME (US)

(72) Inventor: **Heidy Blaney Spenard**, Saco, ME (US)

(**) Term: **14 Years**

(21) Appl. No.: **29/481,674**

(22) Filed: **Feb. 8, 2014**

(51) **LOC (10) Cl.** **28-03**

(52) **U.S. Cl.**
USPC **D28/38**; D28/73

(58) **Field of Classification Search**
USPC D28/38, 73
CPC A45D 2/36; A45D 4/04; A45D 4/06;
A45D 4/16; A45D 2/362; A45D 2/367;
A45D 2/145-2/148; A45D 2/2464-2/2485;
A45D 20/52; A45D 20/525
See application file for complete search history.

(56) **References Cited**

U.S. PATENT DOCUMENTS

D304,245	S	*	10/1989	Ianni	D28/73
5,297,567	A	*	3/1994	Summerville et al.	132/227
D362,922	S	*	10/1995	Prince et al.	D28/38
5,710,861	A	*	1/1998	Stern	392/405
D397,828	S	*	9/1998	Kip	D28/38
6,035,099	A	*	3/2000	Stern	392/405
6,084,210	A	*	7/2000	Glucksman	219/222
6,138,685	A	*	10/2000	O'Brien et al.	132/207
7,296,580	B1	*	11/2007	Sbardella	132/122
7,989,735	B1	*	8/2011	Richmond et al.	219/222

D679,056	S	*	3/2013	Mazza	D28/73
8,393,339	B2	*	3/2013	Upshaw	132/247
2014/0041679	A1	*	2/2014	Spenard	132/265

* cited by examiner

Primary Examiner — Jennifer Rivard

(74) *Attorney, Agent, or Firm* — Caseiro Burke LLC; Chris A. Caseiro

(57) **CLAIM**

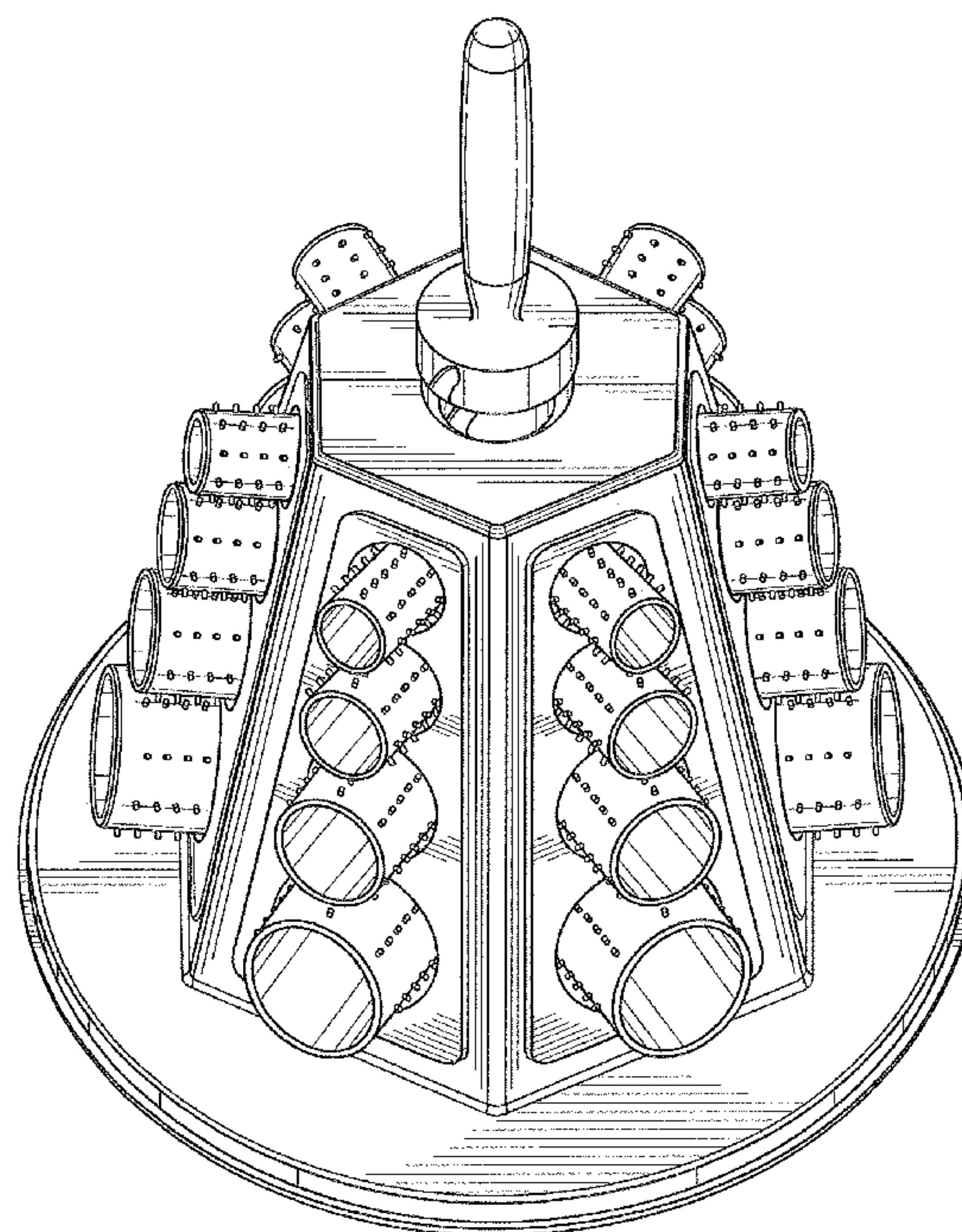
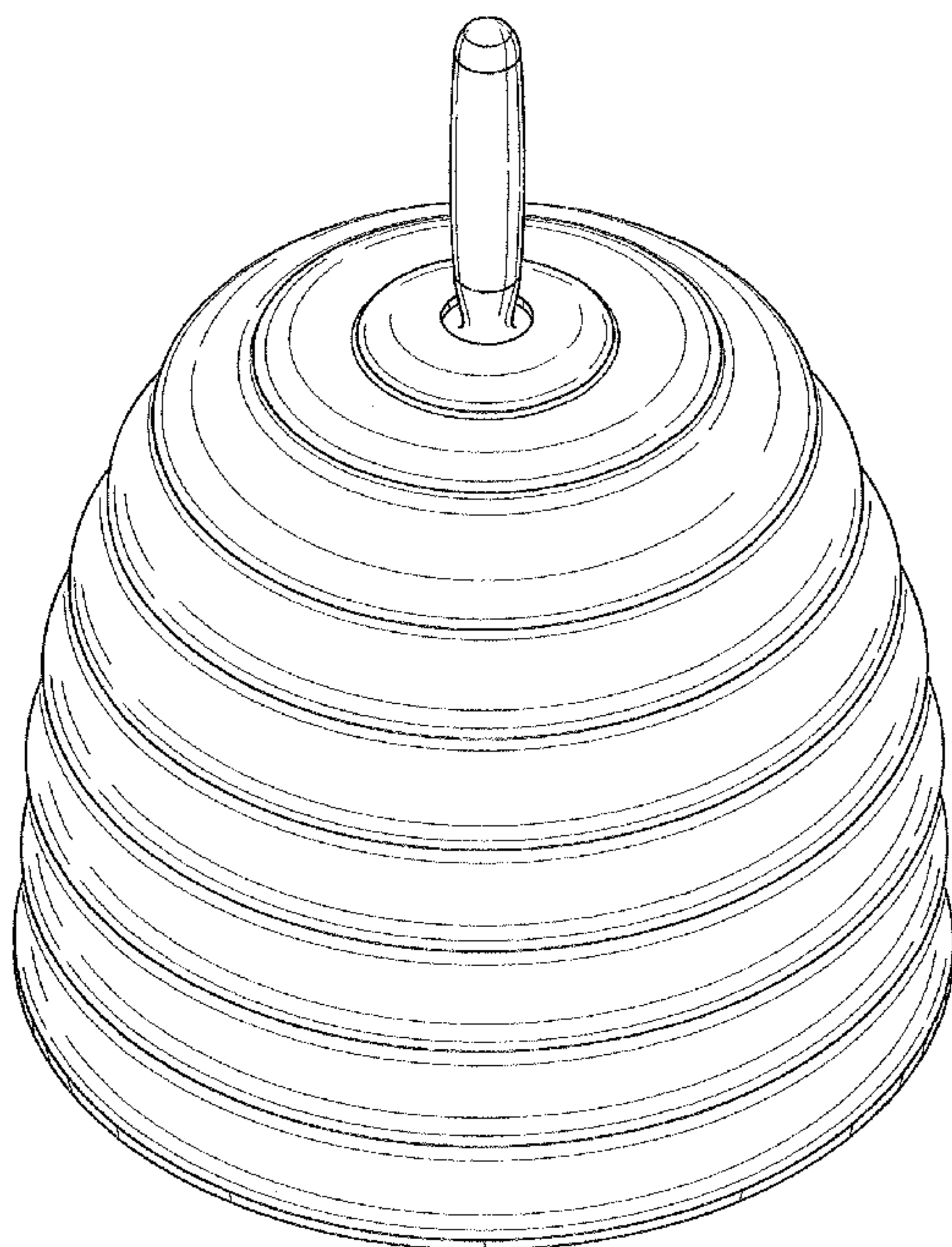
I claim the ornamental design for a combined container and curlers, as shown and described.

DESCRIPTION

FIG. 1 is a top perspective view of a combined container and curlers showing my new design with the lid portion on;
 FIG. 2 is a right side view of the combined container and curlers of FIG. 1, the left side view being the same as the right view;
 FIG. 3 is a top view of the combined container and curlers of FIG. 1;
 FIG. 4 is a bottom view of the combined container and curlers of FIG. 1;
 FIG. 5 is a top perspective view of the combined container and curlers showing my new design with the lid portion off;
 FIG. 6 is a right side view of the combined container and curlers of FIG. 5;
 FIG. 7 is a left side view of the combined container and curlers of FIG. 5;
 FIG. 8 is a top view of the combined container and curlers of FIG. 5; and,
 FIG. 9 is a bottom view of the combined container and curlers of FIG. 5.

The broken lines shown in the drawings illustrate portions of the container and form no part of the claimed design.

1 Claim, 9 Drawing Sheets



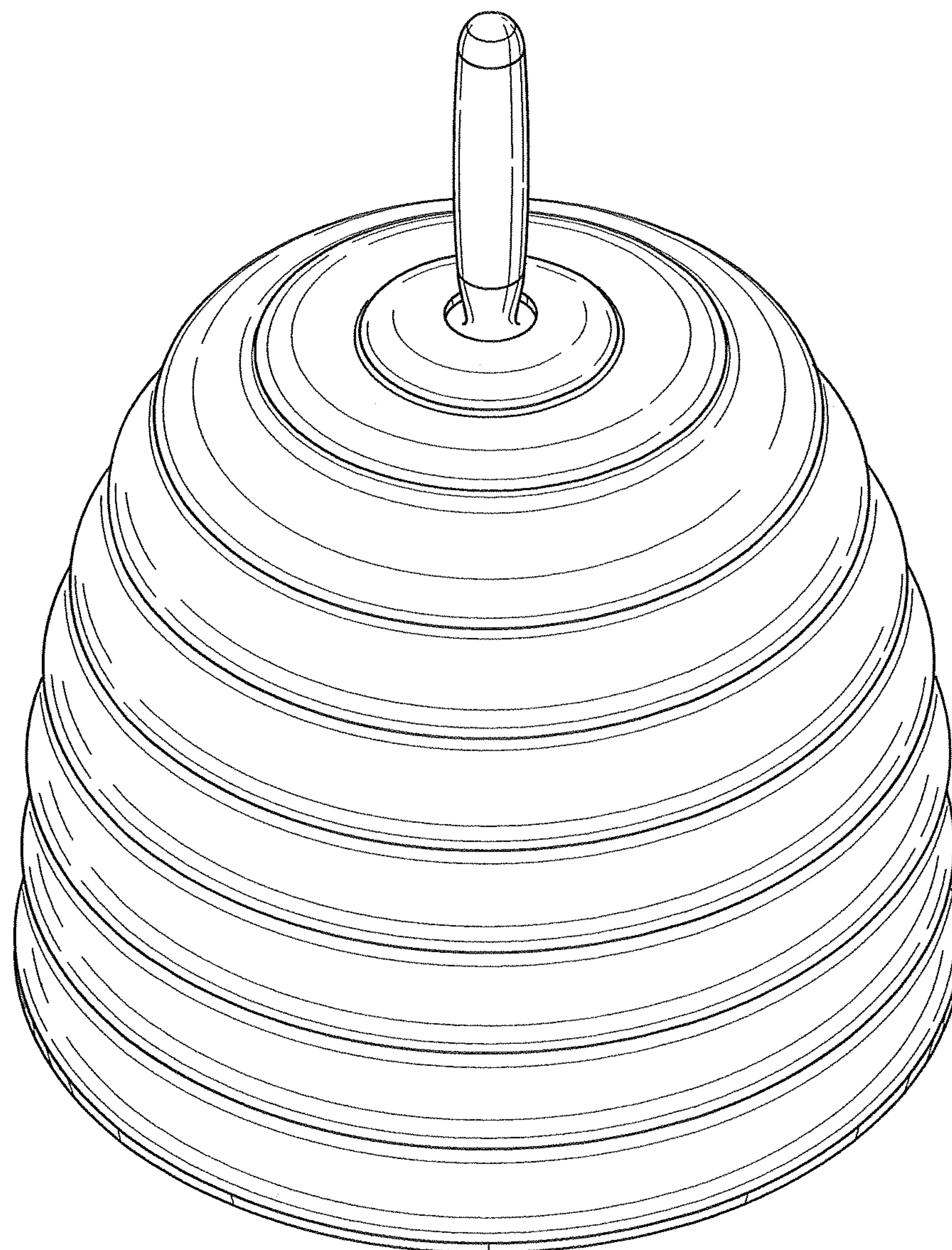


FIG. 1

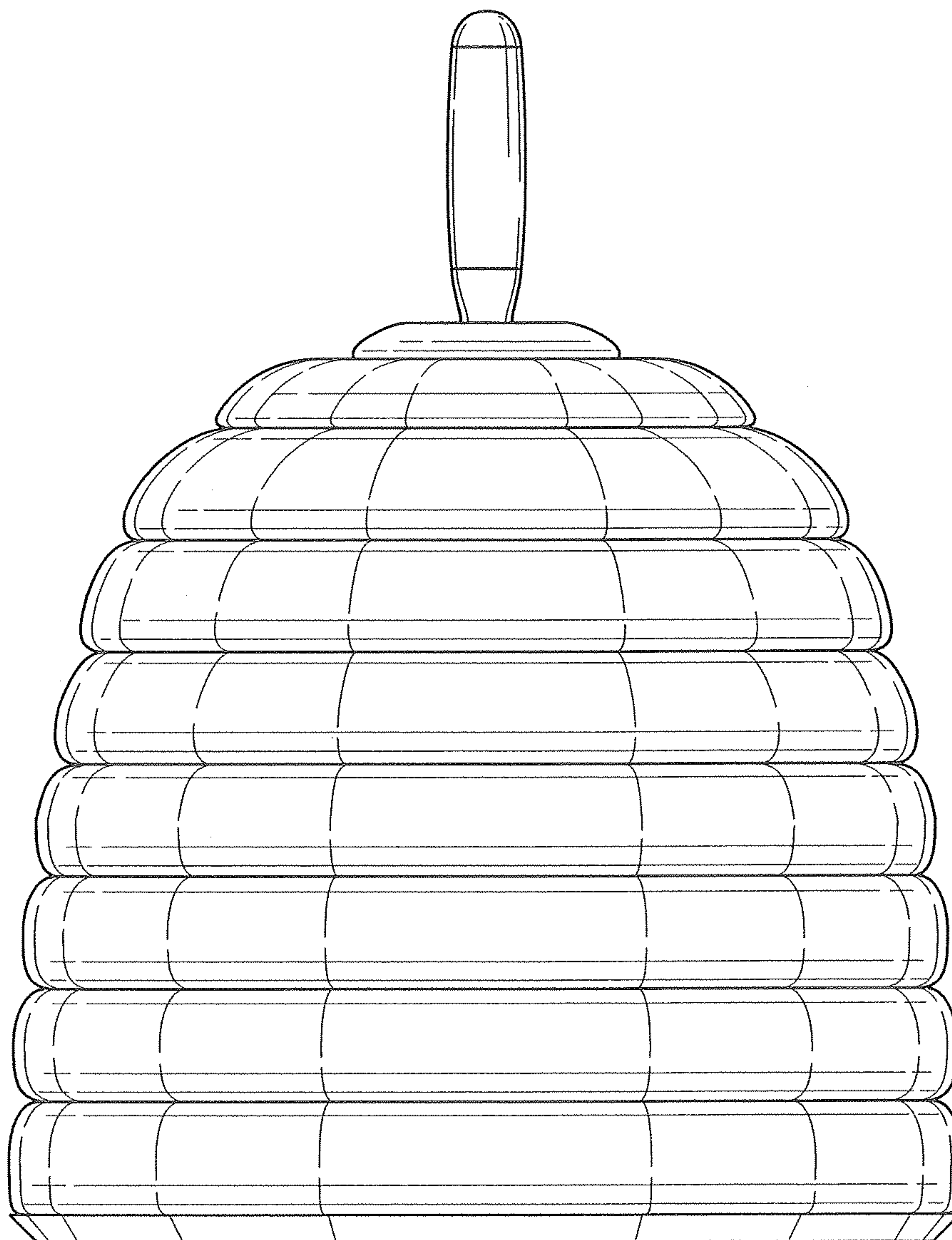


FIG. 2

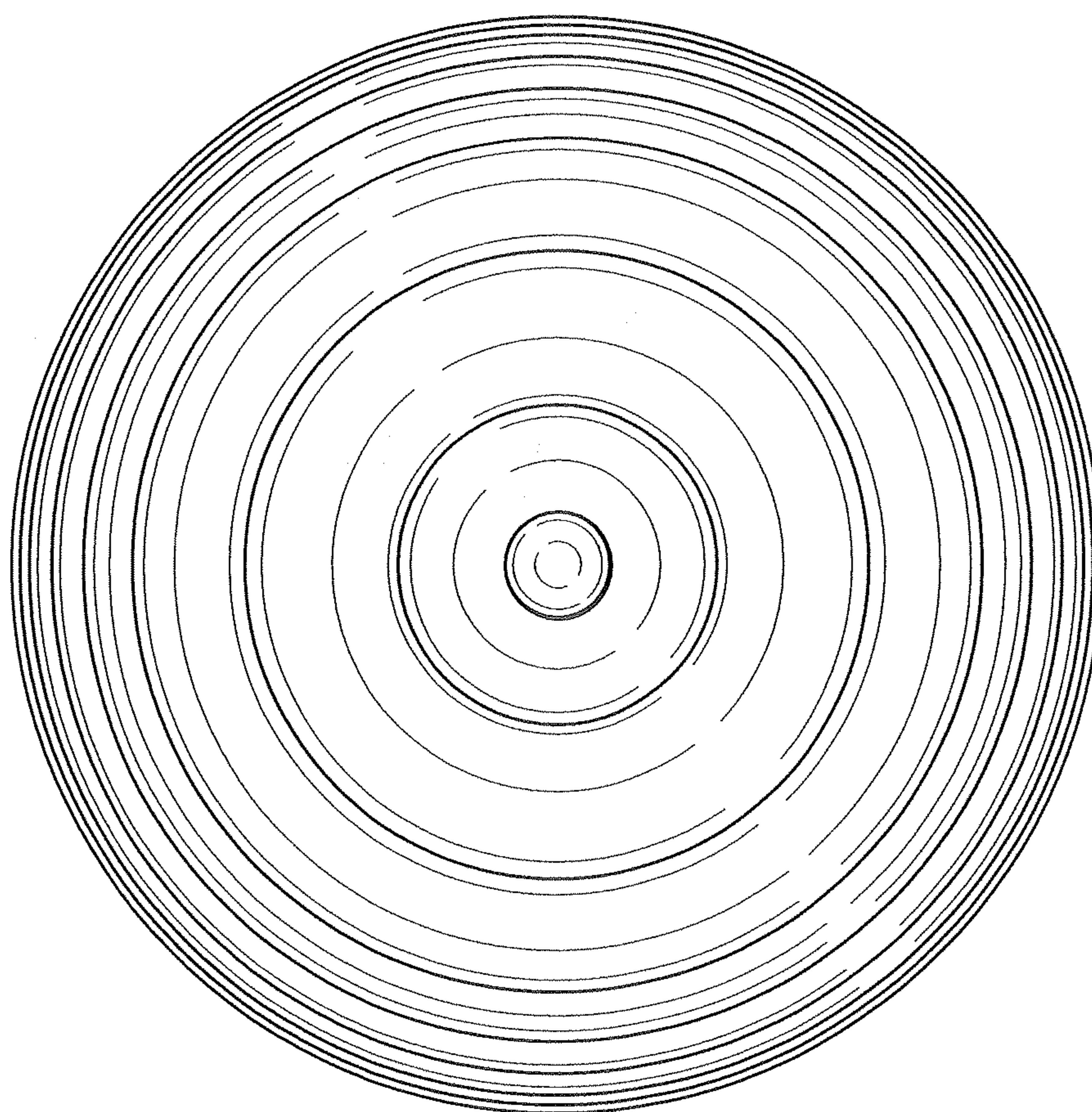


FIG. 3

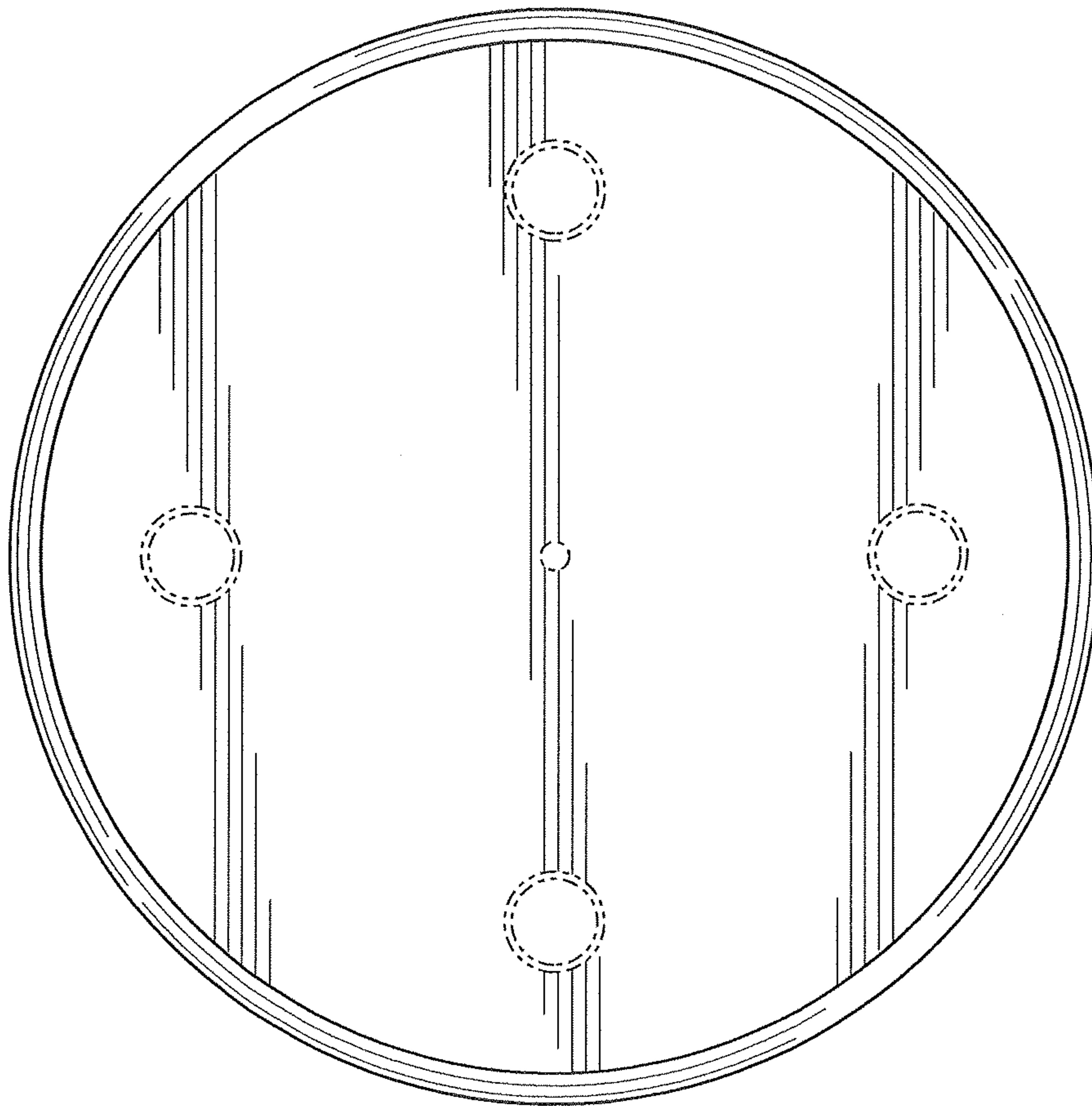


FIG. 4

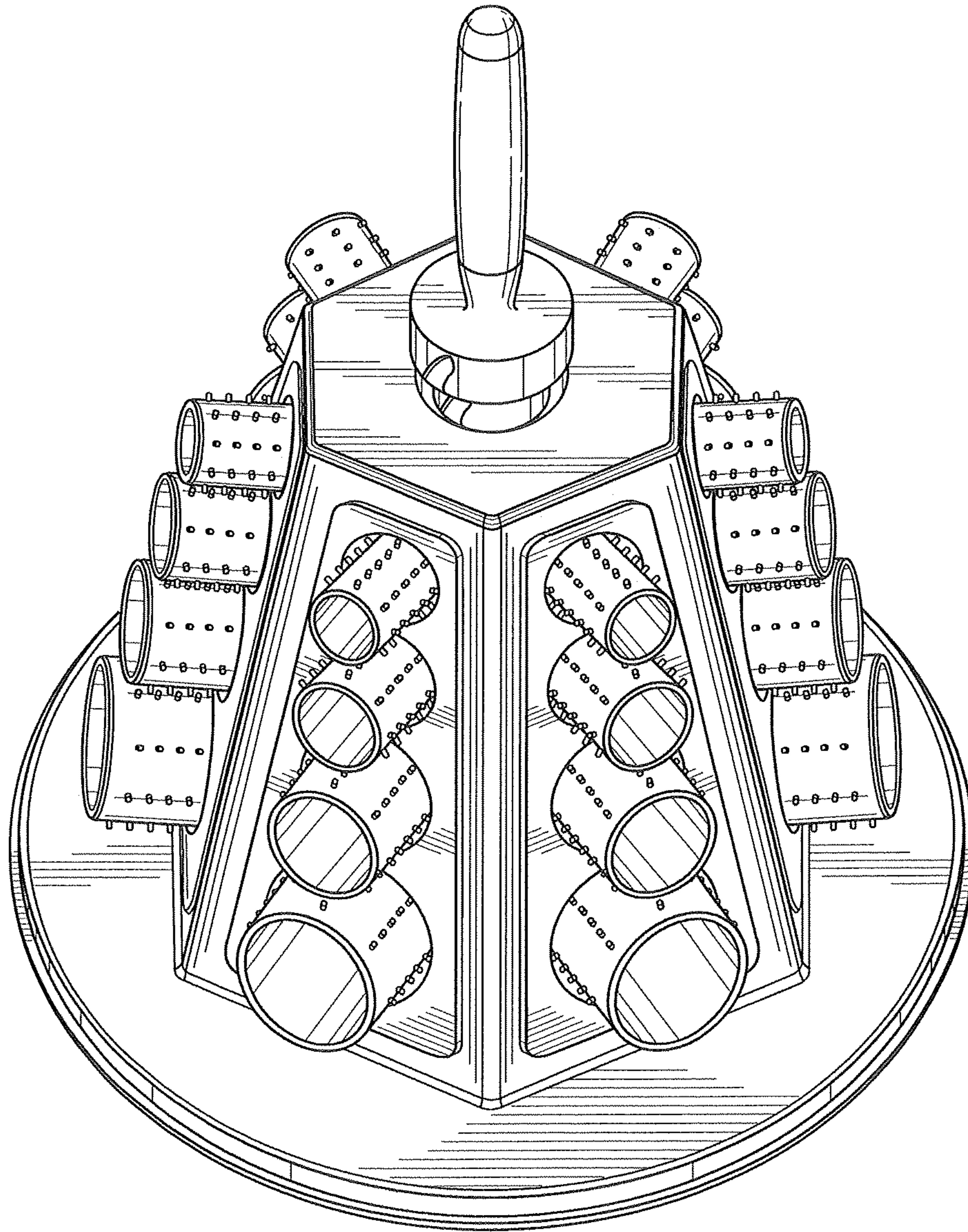


FIG. 5

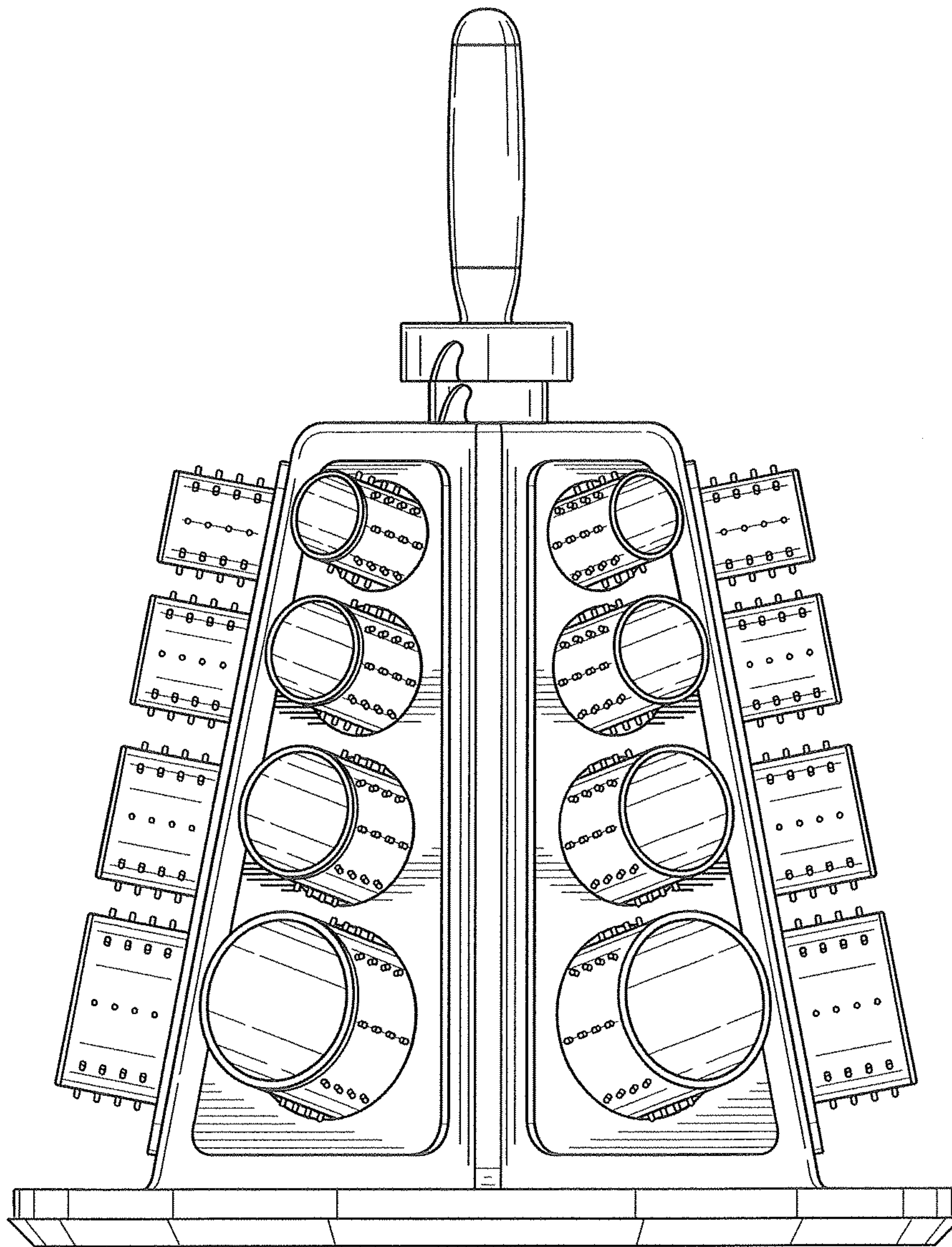


FIG. 6

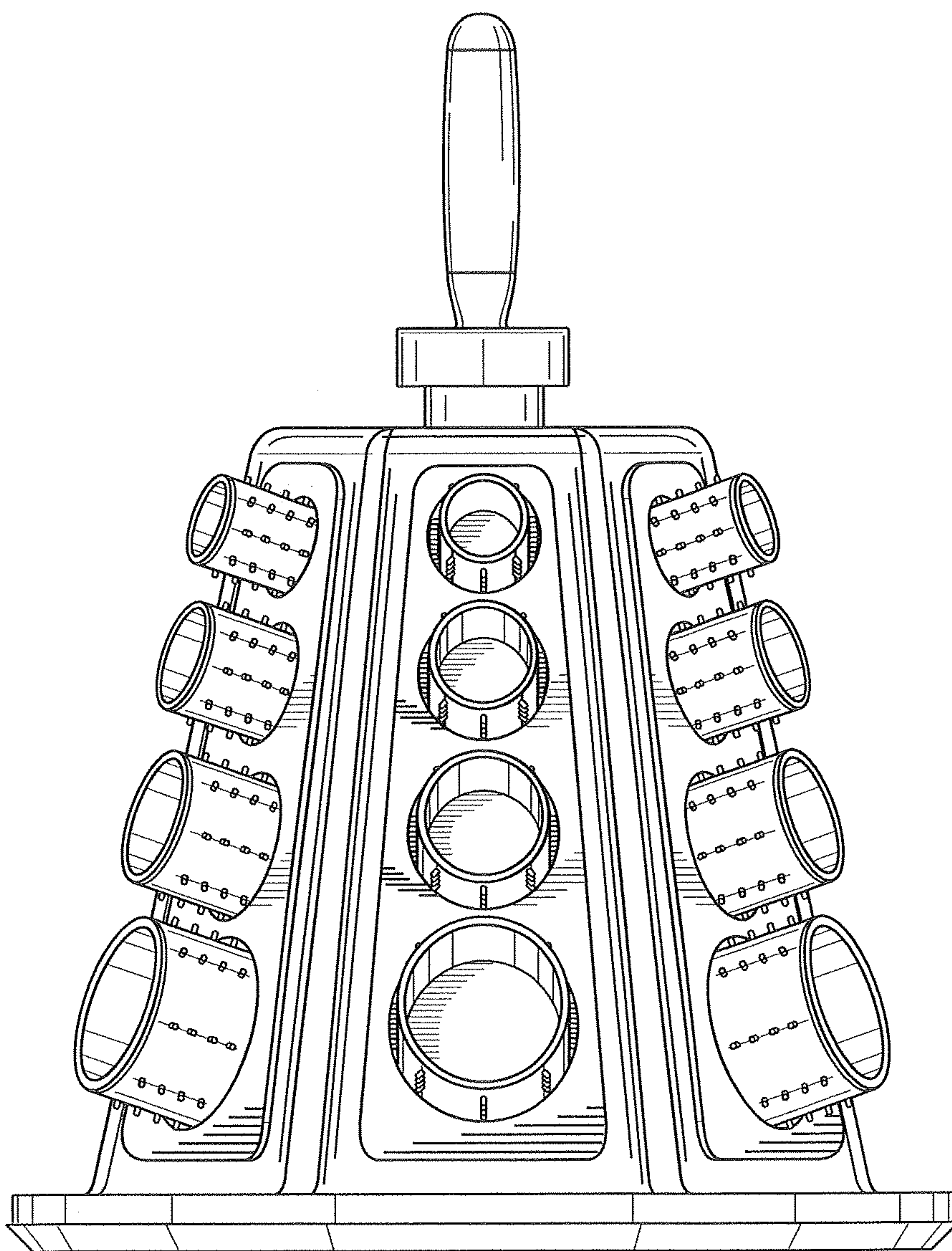


FIG. 7

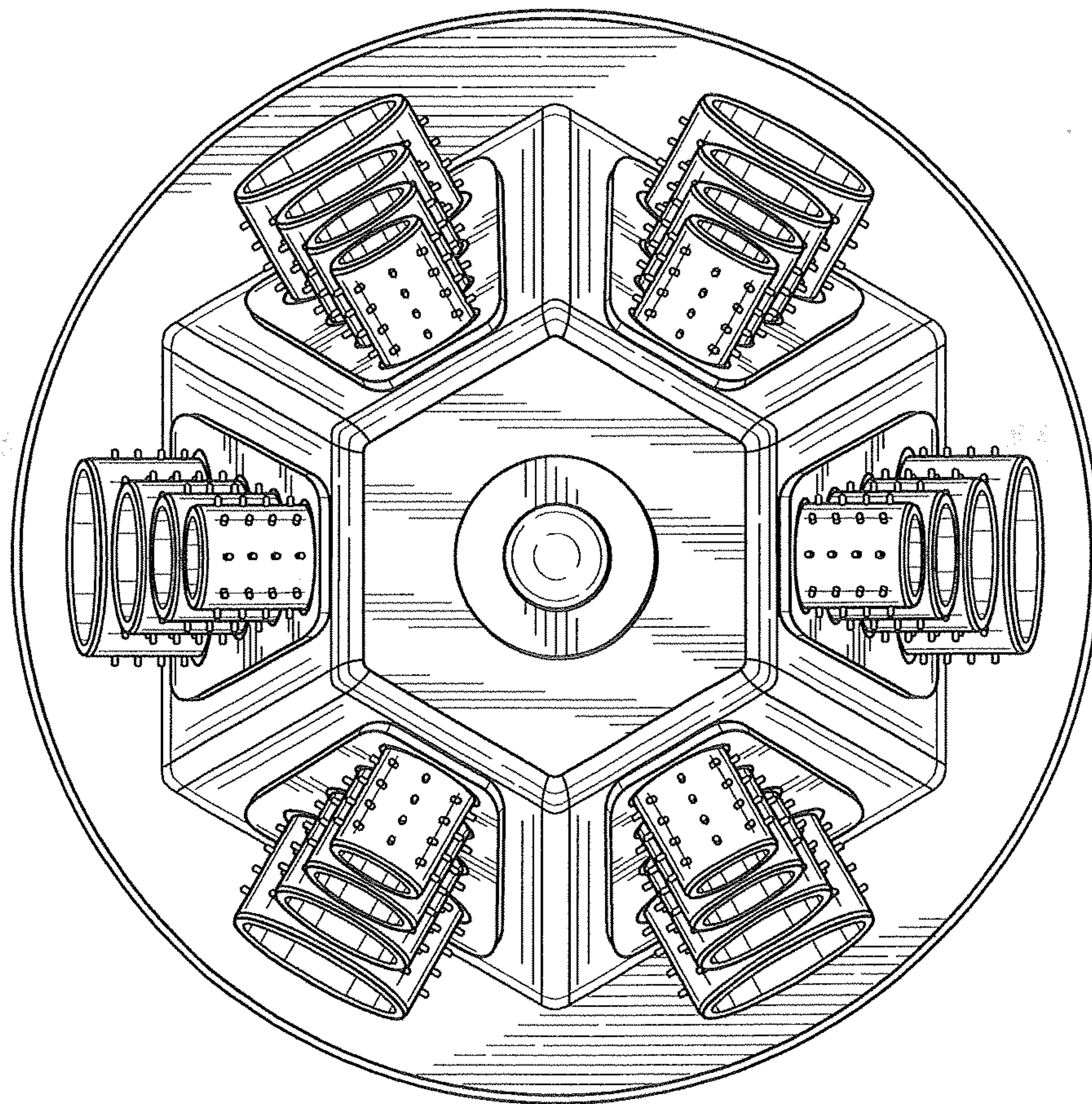


FIG. 8

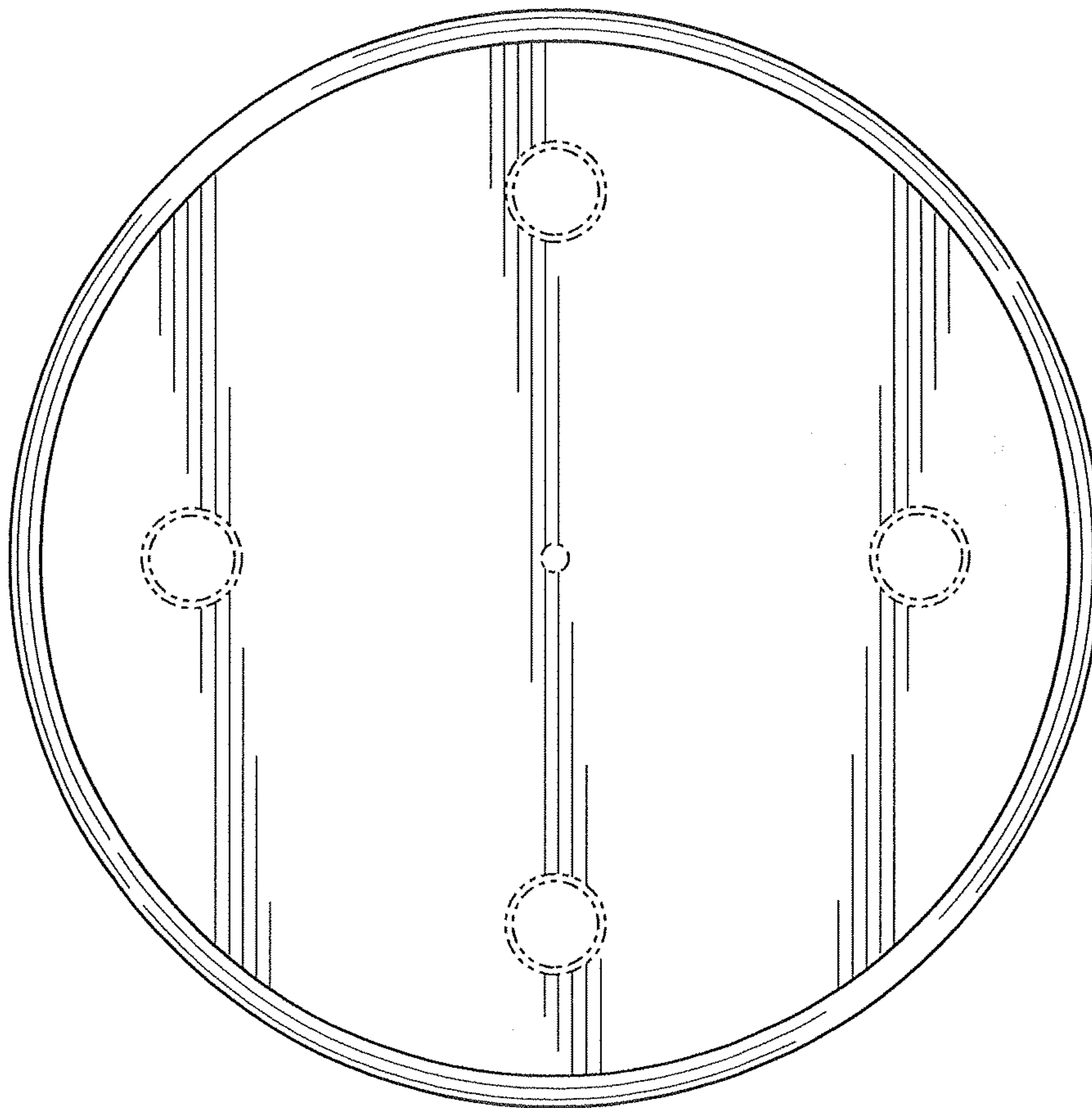


FIG. 9