

US00D739078S

(12) **United States Design Patent**
Vasquez

(10) **Patent No.:** **US D739,078 S**
(45) **Date of Patent:** **** Sep. 15, 2015**

- (54) **BLOWDRYER ATTACHMENT**
- (71) Applicant: **Adrian Vasquez**, Rockkford, IL (US)
- (72) Inventor: **Adrian Vasquez**, Rockkford, IL (US)
- (**) Term: **14 Years**
- (21) Appl. No.: **29/516,556**
- (22) Filed: **Feb. 3, 2015**

D239,471 S * 4/1976 Gonzales D28/18
 D259,284 S * 5/1981 Megna D28/18
 D721,456 S * 1/2015 Sayers et al. D28/18

* cited by examiner

Primary Examiner — Zenia Bennett
(74) *Attorney, Agent, or Firm* — QuickPatents; Kevin Prince

Related U.S. Application Data

- (66) Substitute for application No. 29/451,648, filed on Apr. 5, 2013, now abandoned.
- (51) **LOC (10) Cl.** **28-03**
- (52) **U.S. Cl.**
USPC **D28/18**
- (58) **Field of Classification Search**
USPC D28/12-19; 34/96-101; 392/380-385;
219/222
CPC A45D 20/12; A45D 20/00
See application file for complete search history.

(57) **CLAIM**
I claim the ornamental design for a blowdryer attachment, as shown and described.

DESCRIPTION

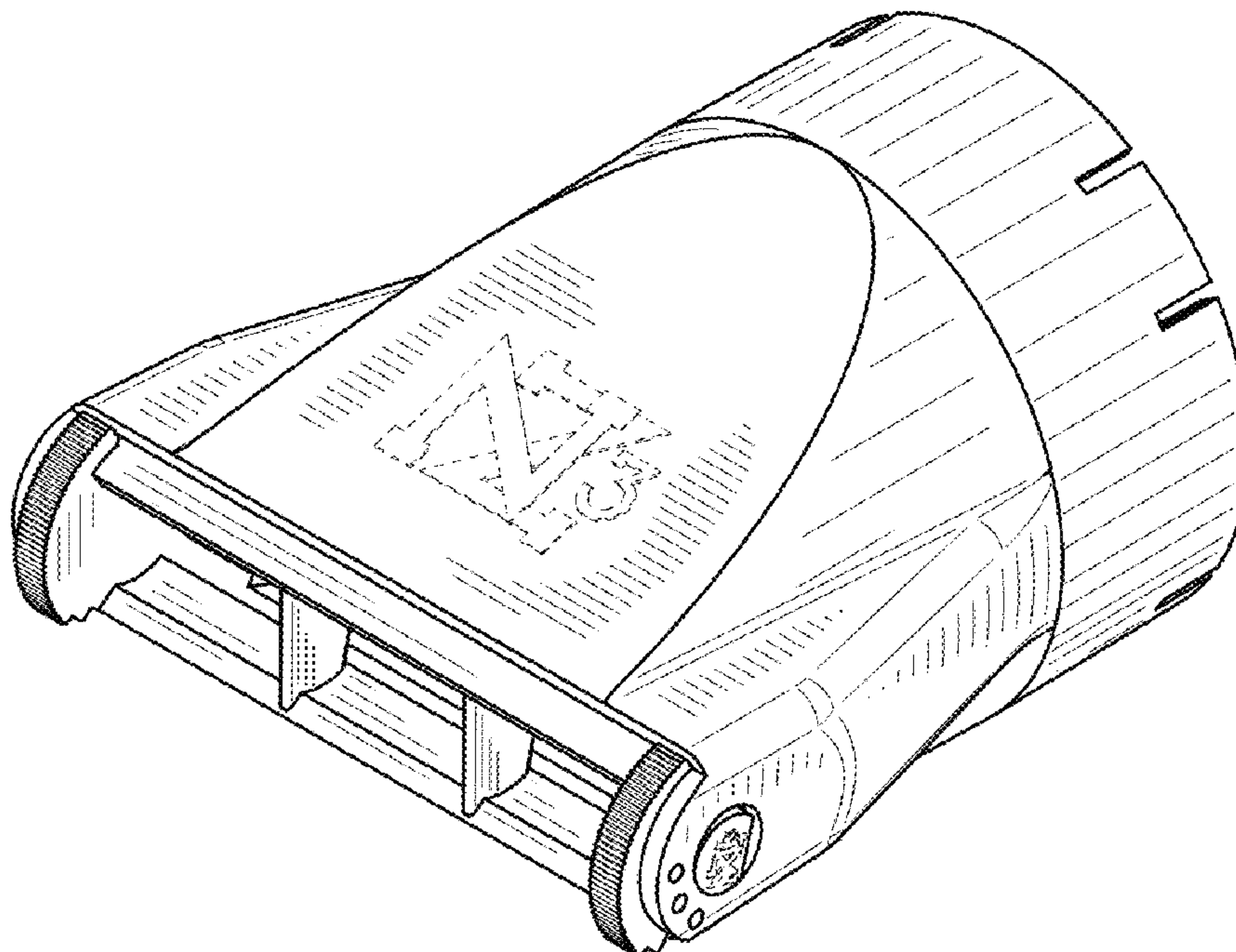
FIG. 1 is a perspective view of a blowdryer attachment, showing my new design in an open position;
 FIG. 2 is a perspective view thereof, illustrated in a closed position;
 FIG. 3 is a front elevational view of FIG. 1;
 FIG. 4 is a rear elevational view of FIG. 1;
 FIG. 5 is a left-side elevational view of FIG. 1;
 FIG. 6 is a right-side elevational view of FIG. 1;
 FIG. 7 is a top plan view of FIG. 1; and,
 FIG. 8 is a bottom plan view of FIG. 1.
 The broken lines showing a logo in FIGS. 1-3 and 7 depict environmental matter and form no part of the claimed design.

(56) **References Cited**

U.S. PATENT DOCUMENTS

3,860,174 A * 1/1975 Cercone 239/135
 D237,117 S * 10/1975 Selden D28/18

1 Claim, 3 Drawing Sheets



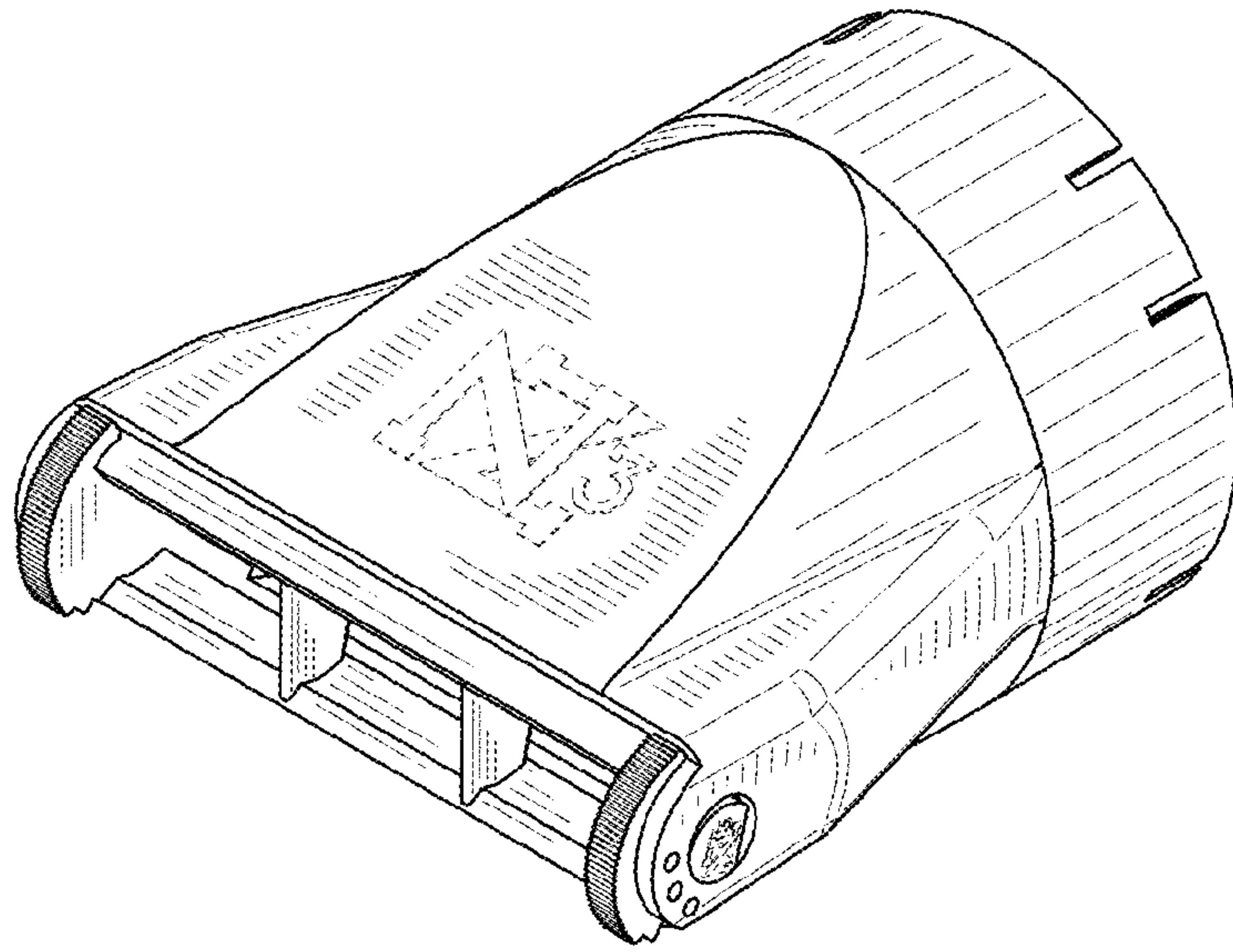


FIG. 1

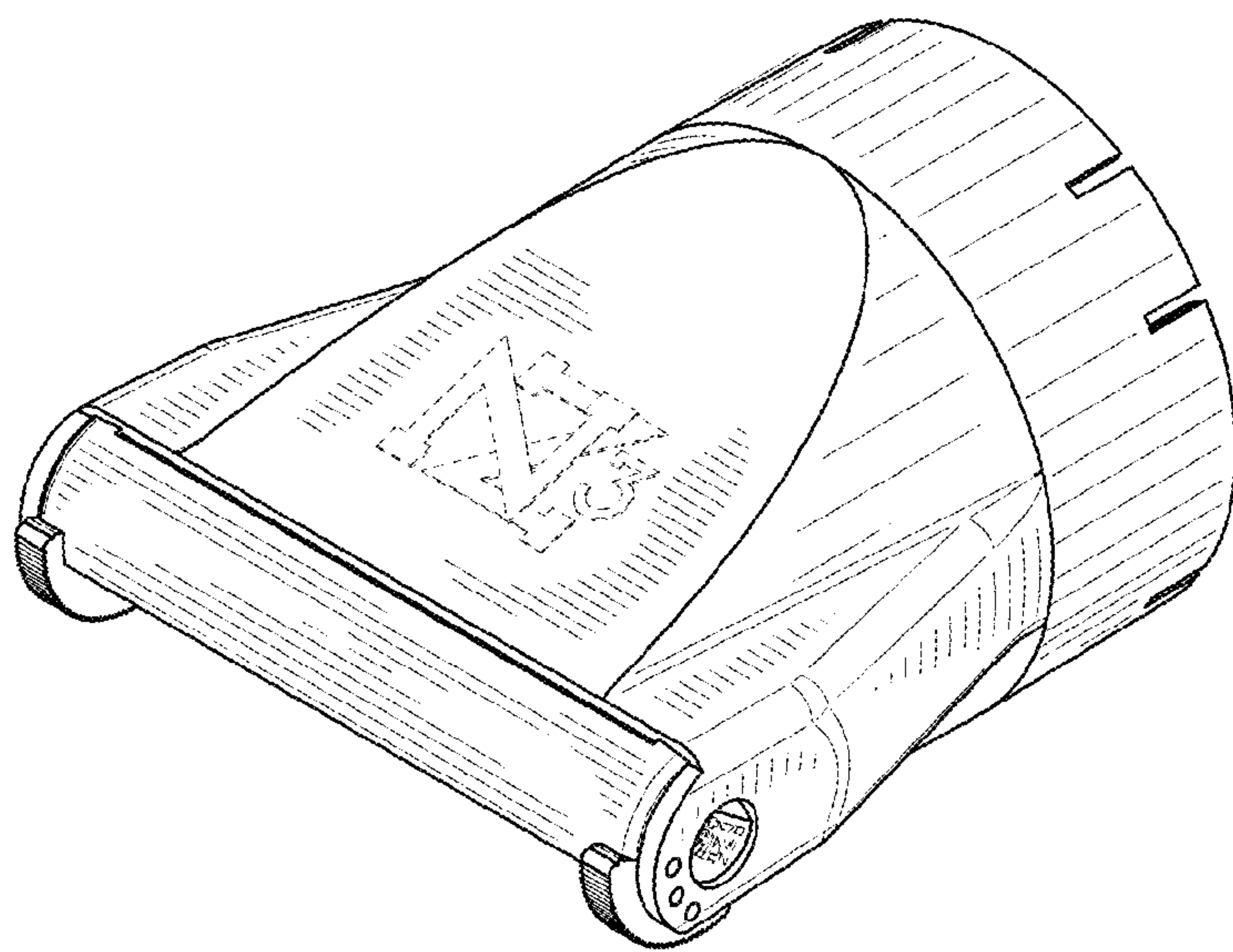


FIG. 2

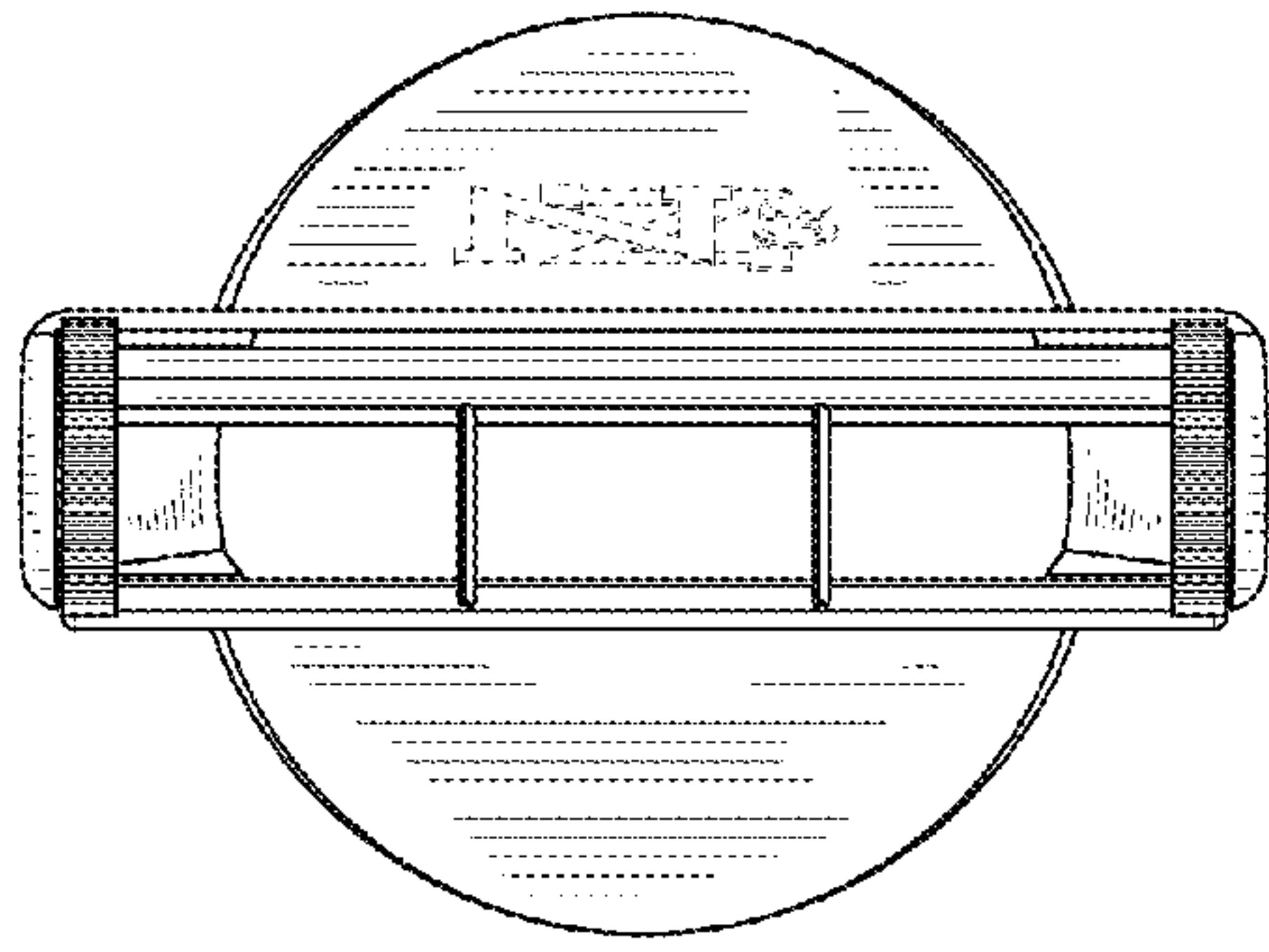


FIG. 3

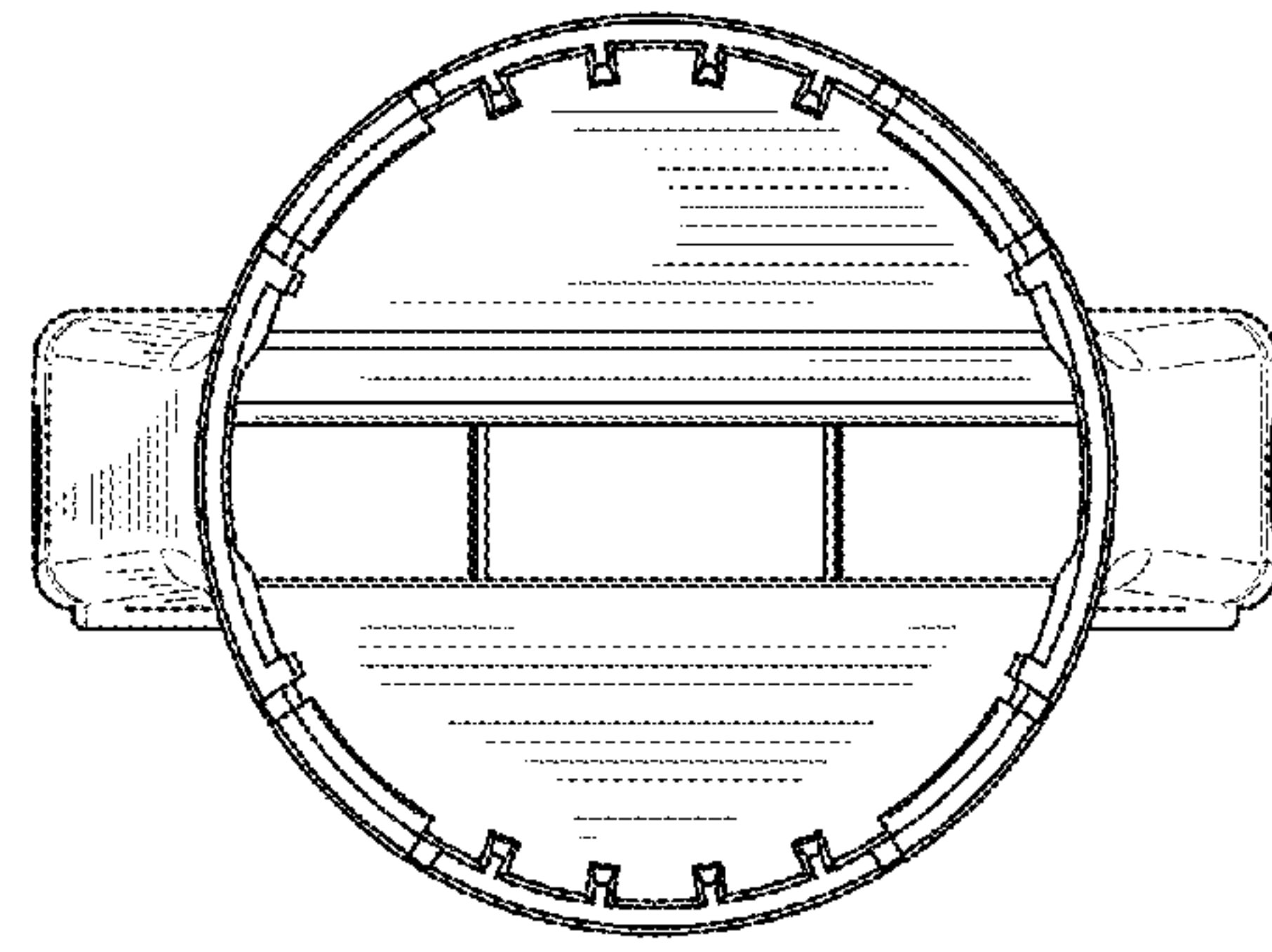


FIG. 4

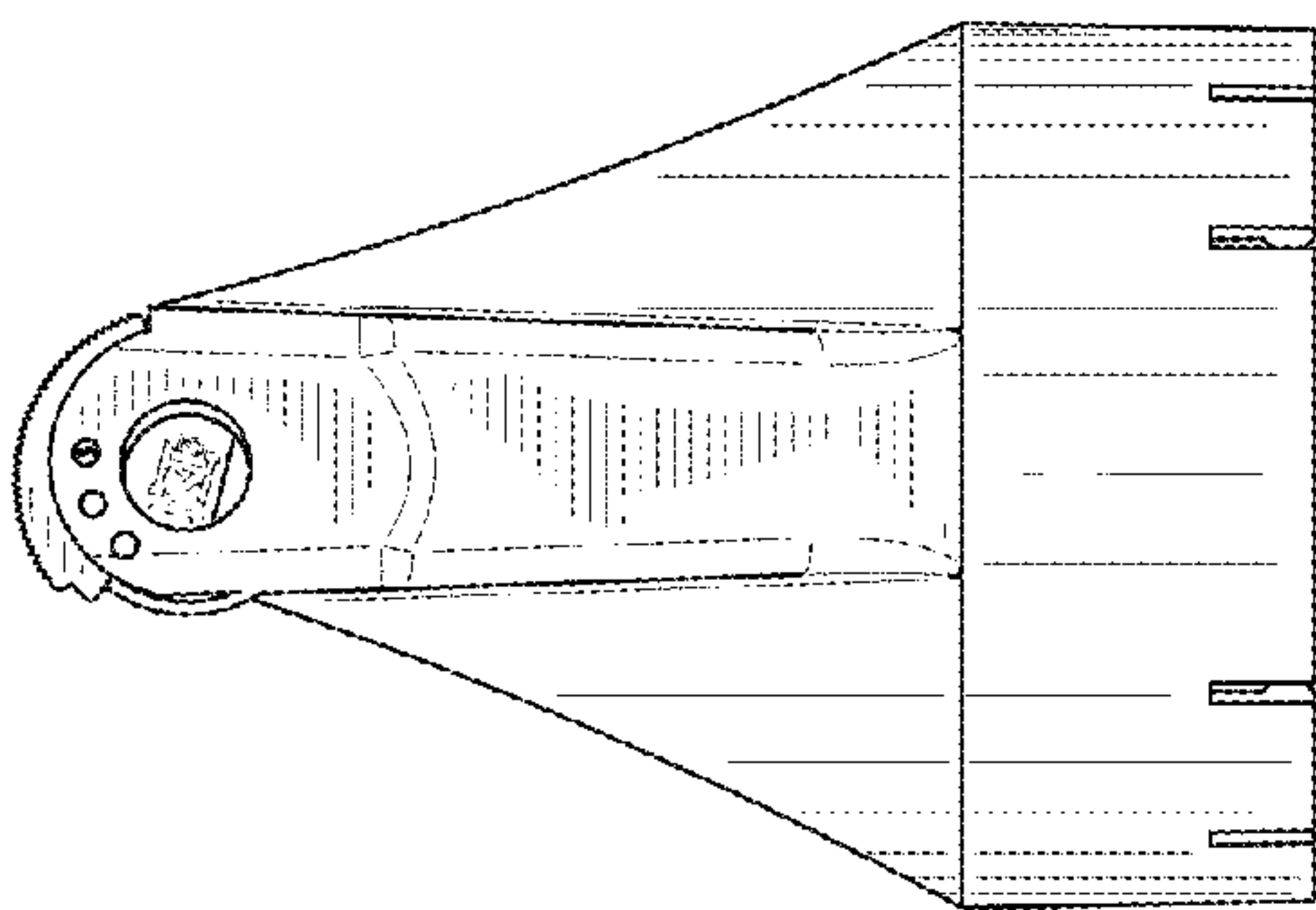


FIG. 5

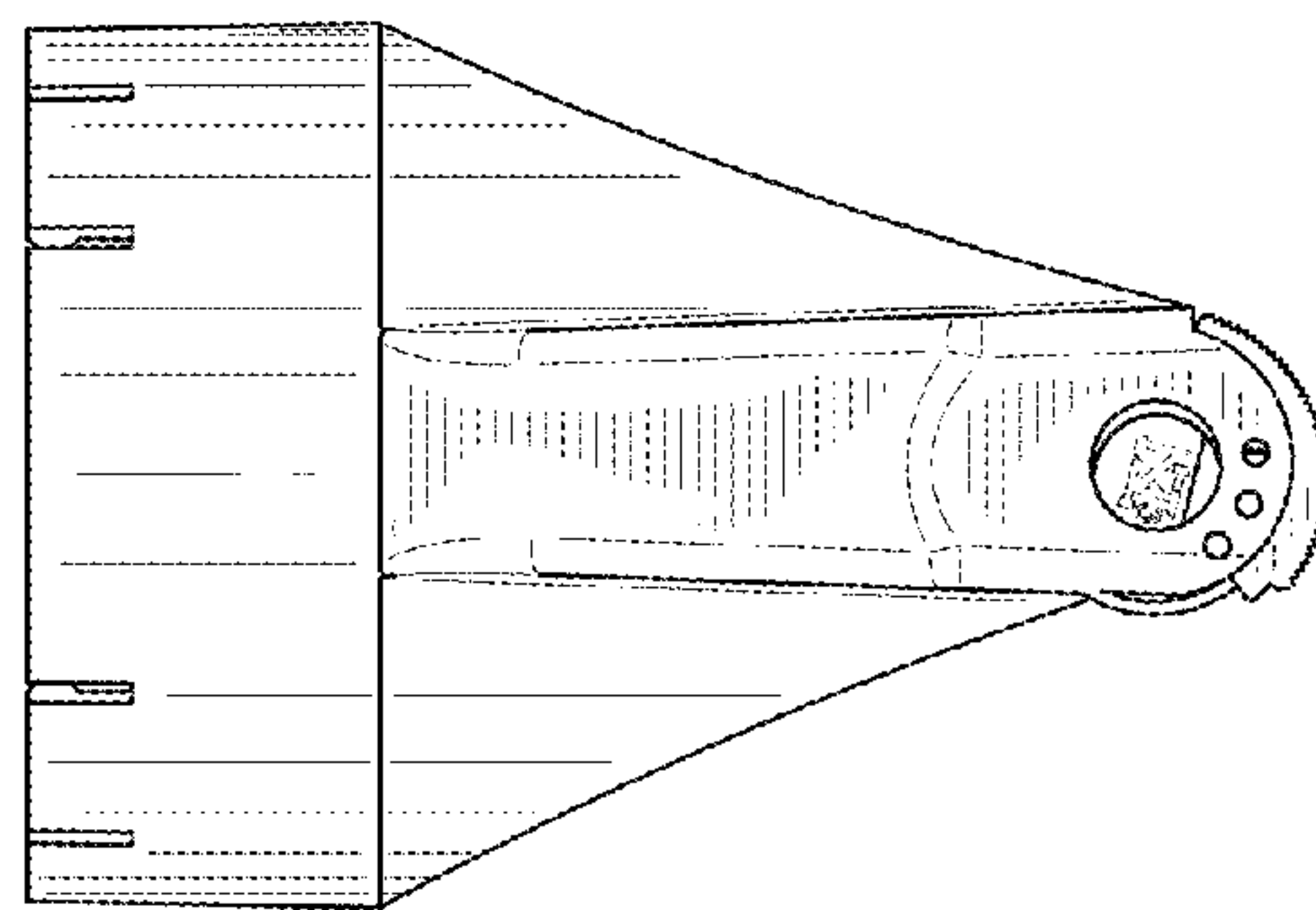


FIG. 6

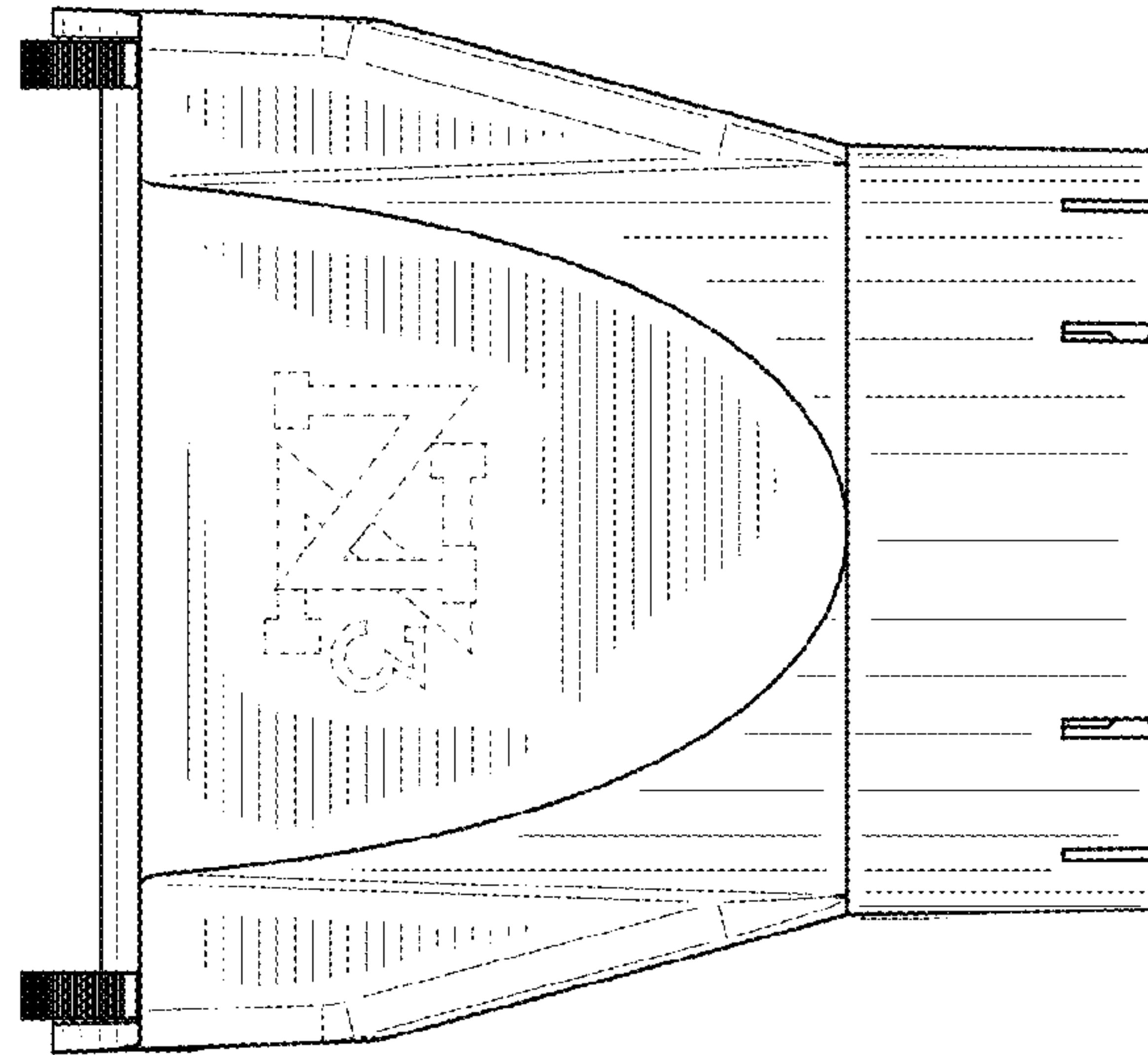


FIG. 7

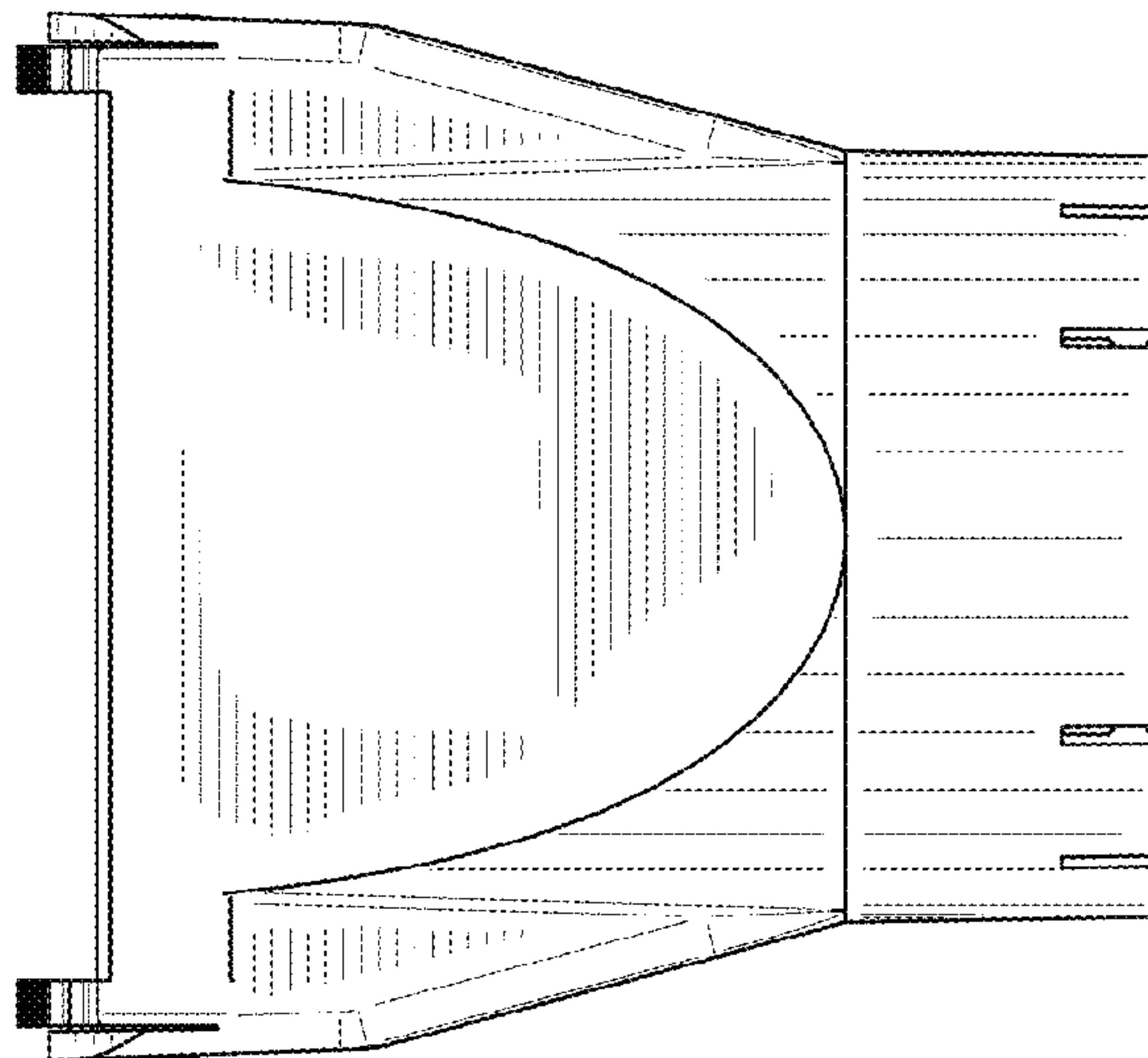


FIG. 8