



US00D739074S

(12) **United States Design Patent**
Bennett

(10) **Patent No.:** **US D739,074 S**
(45) **Date of Patent:** **** Sep. 15, 2015**

- (54) **SNUFFER TOOL**
- (71) Applicant: **Don Bennett**, Sevierville, TN (US)
- (72) Inventor: **Don Bennett**, Sevierville, TN (US)
- (**) Term: **14 Years**
- (21) Appl. No.: **29/482,220**
- (22) Filed: **Feb. 14, 2014**
- (51) **LOC (10) Cl.** **27-03**
- (52) **U.S. Cl.**
USPC **D27/136**
- (58) **Field of Classification Search**
USPC D27/102–103, 109, 111–112, 129–130,
D27/133–138, 142–144, 161, 167, 172, 181,
D27/194–196; D8/1, 77; D7/387, 399, 682;
131/177, 184.1, 235.1, 238, 240.1,
131/243, 247, 256, 258; 63/15; D11/26
CPC A24F 23/04; A24F 9/02; A24F 19/00;
A24F 19/0014; A24F 19/0028; A24F 19/025;
A24F 19/0035; A24F 15/08; A24F 19/10;
A24F 19/14; A24F 13/18
See application file for complete search history.

2,021,415	A *	11/1935	Gorman	131/258
2,506,666	A *	5/1950	Graham	131/256
D161,033	S *	11/1950	Marcus	D27/170
D177,954	S *	6/1956	Adams	D27/136
2,767,718	A *	10/1956	Hedrick	131/258
2,965,107	A *	12/1960	Lehv	131/256
D291,126	S *	7/1987	Gaptjern	D27/125
D292,622	S *	11/1987	Meyers et al.	D27/136
D326,241	S *	5/1992	Kroh	D11/27
D454,232	S *	3/2002	LaVanier	D29/127
D496,500	S *	9/2004	Monique	D29/127
D551,798	S *	9/2007	McGuire	D27/136
D586,952	S *	2/2009	Bennett et al.	D27/136
D635,421	S *	4/2011	Wegener et al.	D8/34
D652,275	S *	1/2012	Wegener et al.	D8/34
D683,579	S *	6/2013	Black	D7/387
2006/0266374	A1 *	11/2006	Nyborg et al.	131/258
2013/0008455	A1 *	1/2013	Healy et al.	131/247

* cited by examiner

Primary Examiner — Susan Bennett Hattan

Assistant Examiner — Janice Hallmark

(74) *Attorney, Agent, or Firm* — QuickPatents; Kevin Prince

(57) **CLAIM**

I claim the ornamental design for a snuffer tool, as shown and described.

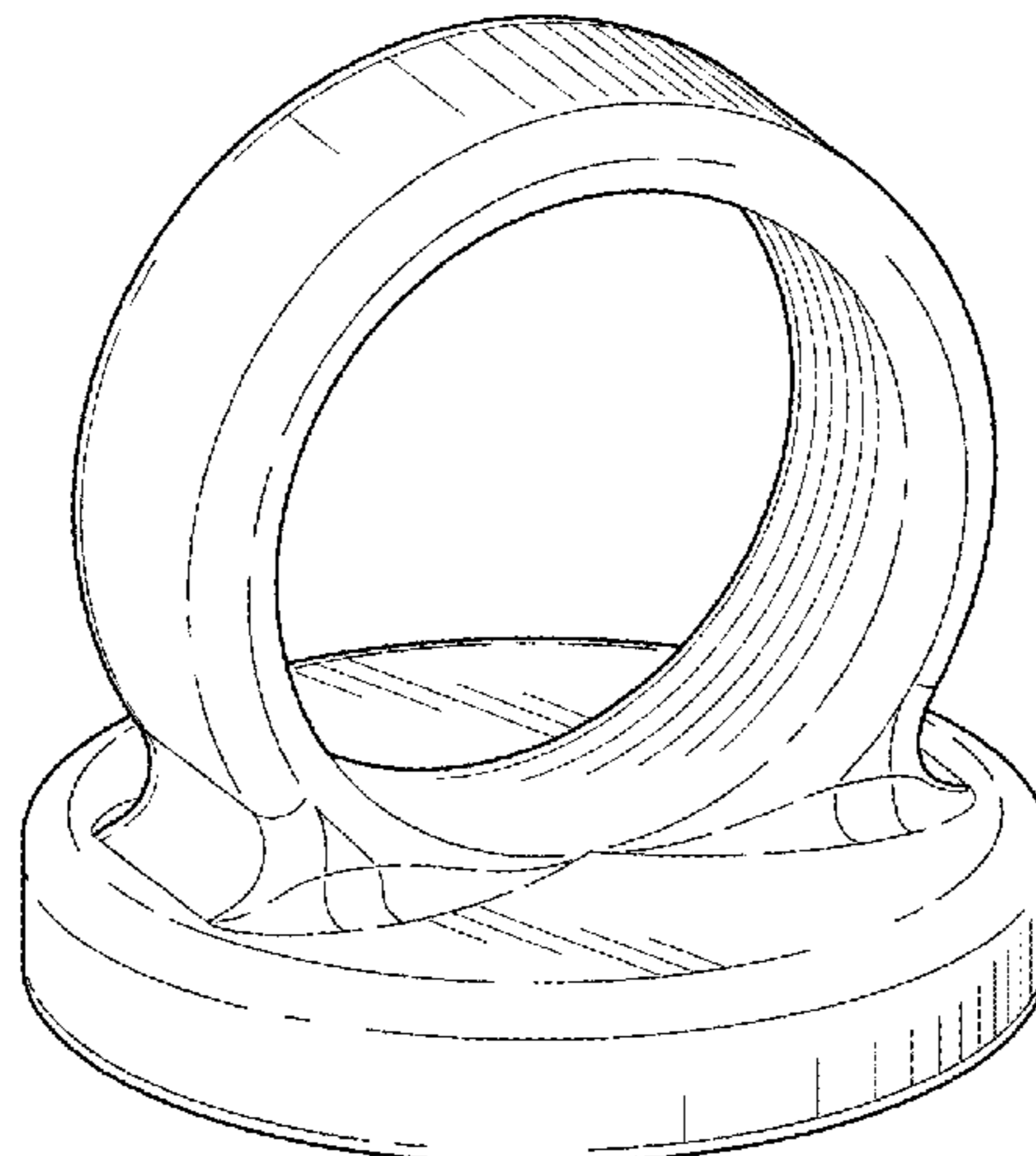
DESCRIPTION

FIG. 1 is a perspective view of a snuffer tool, showing my new design;
 FIG. 2 is a front elevational view of FIG. 1, the rear elevational view being a mirror image thereof;
 FIG. 3 is a left-side elevational view of FIG. 1, the right-side elevational view being a mirror image thereof;
 FIG. 4 is a top plan view of FIG. 1;
 FIG. 5 is a bottom plan view of FIG. 1; and,
 FIG. 6 is a cross-sectional view of FIG. 4, taken along line 6-6.

1 Claim, 2 Drawing Sheets

(56) **References Cited**
U.S. PATENT DOCUMENTS

232,453	A *	9/1880	Carrington	131/258
717,281	A *	12/1902	Ross	131/175
718,652	A *	1/1903	McMillan	131/247
892,812	A *	7/1908	Day	131/258
1,239,405	A *	9/1917	Kopetschny	63/19
1,269,491	A *	6/1918	Murray	131/258
1,309,707	A *	7/1919	Tinnin	131/174
D83,469	S *	2/1931	Schaetzke	D27/133
1,864,747	A *	6/1932	McAniff	131/258
1,893,269	A *	1/1933	Burnett	131/258
1,976,653	A *	10/1934	Brueck	131/258



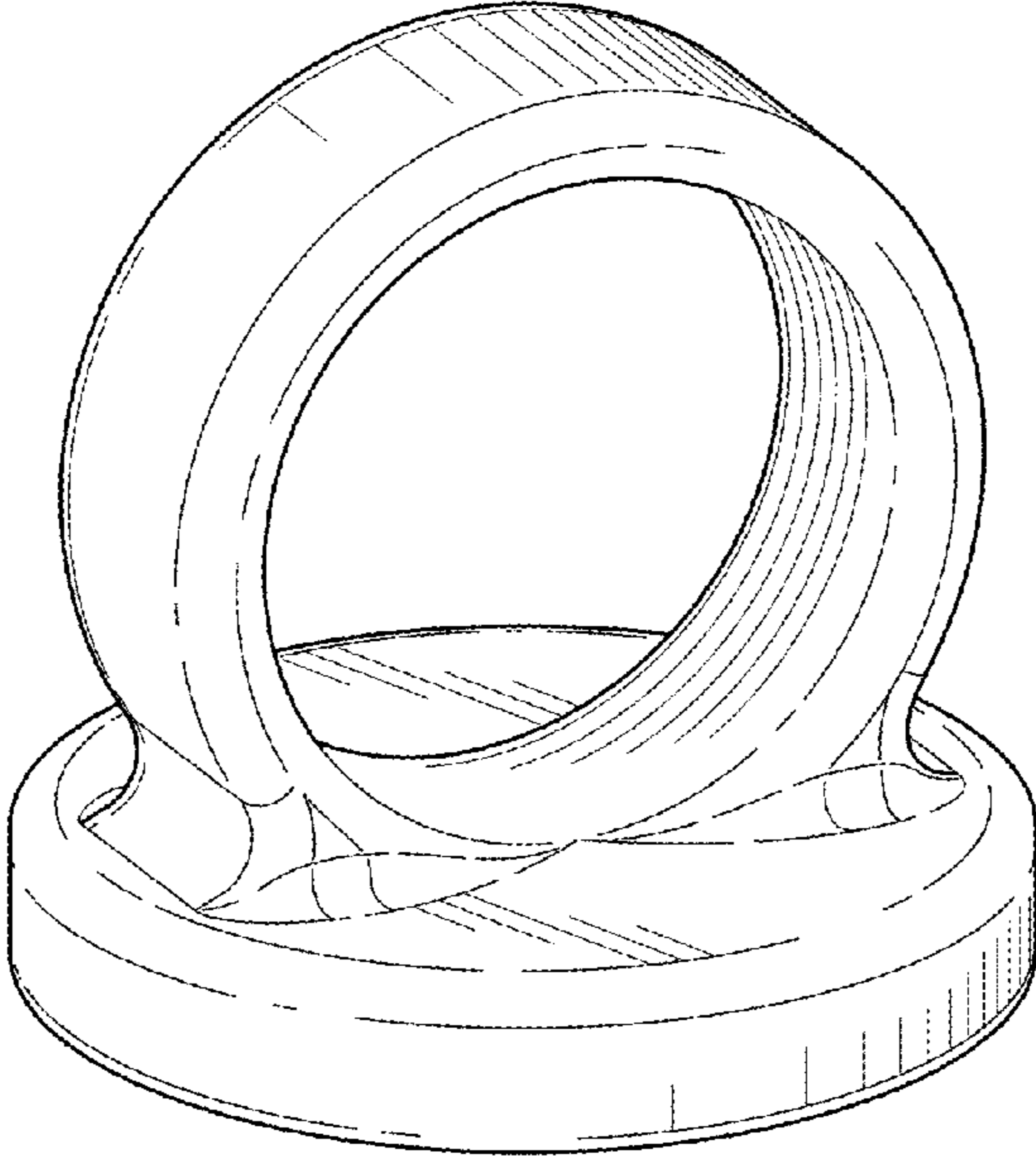


FIG. 1

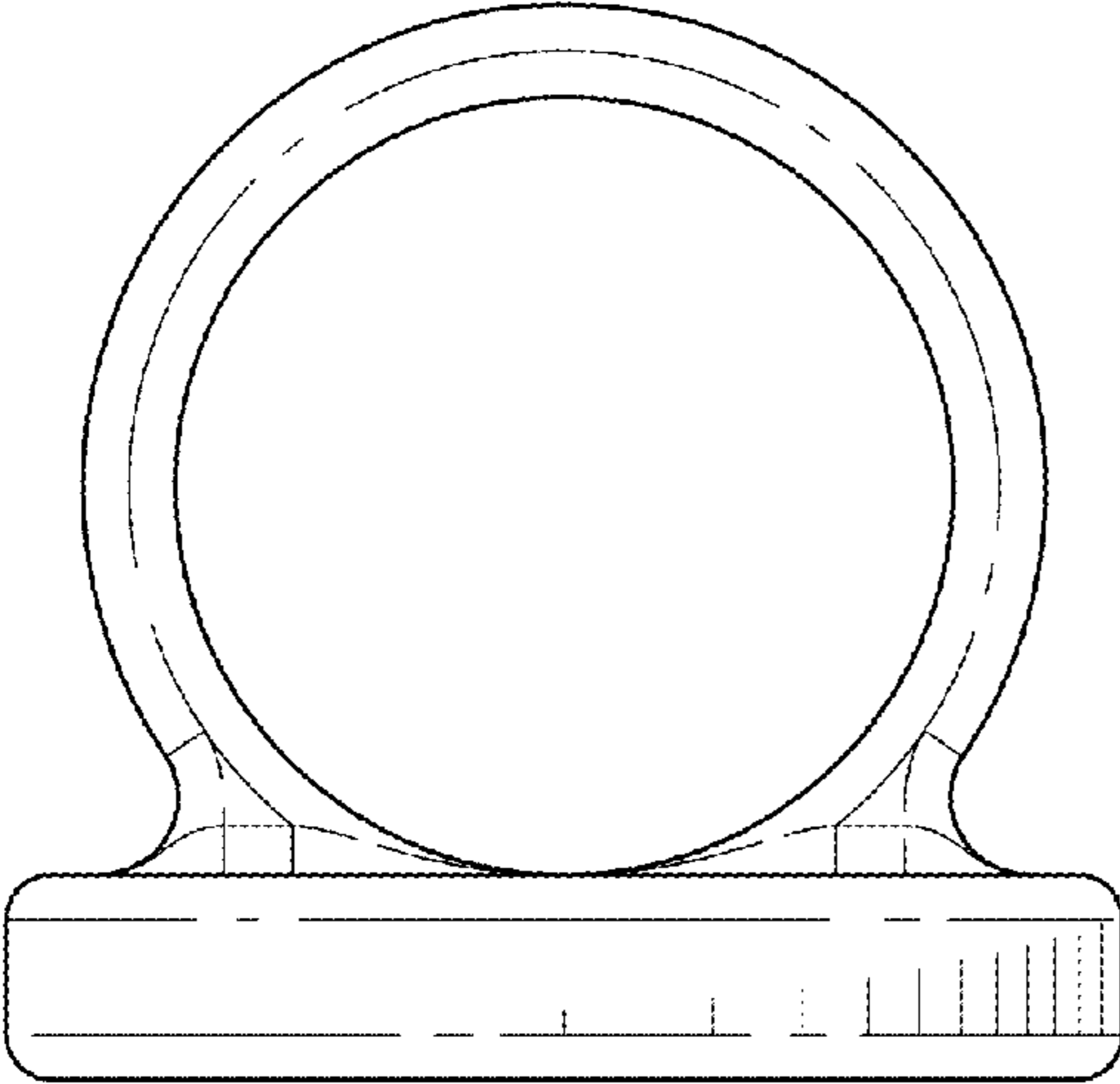


FIG. 2

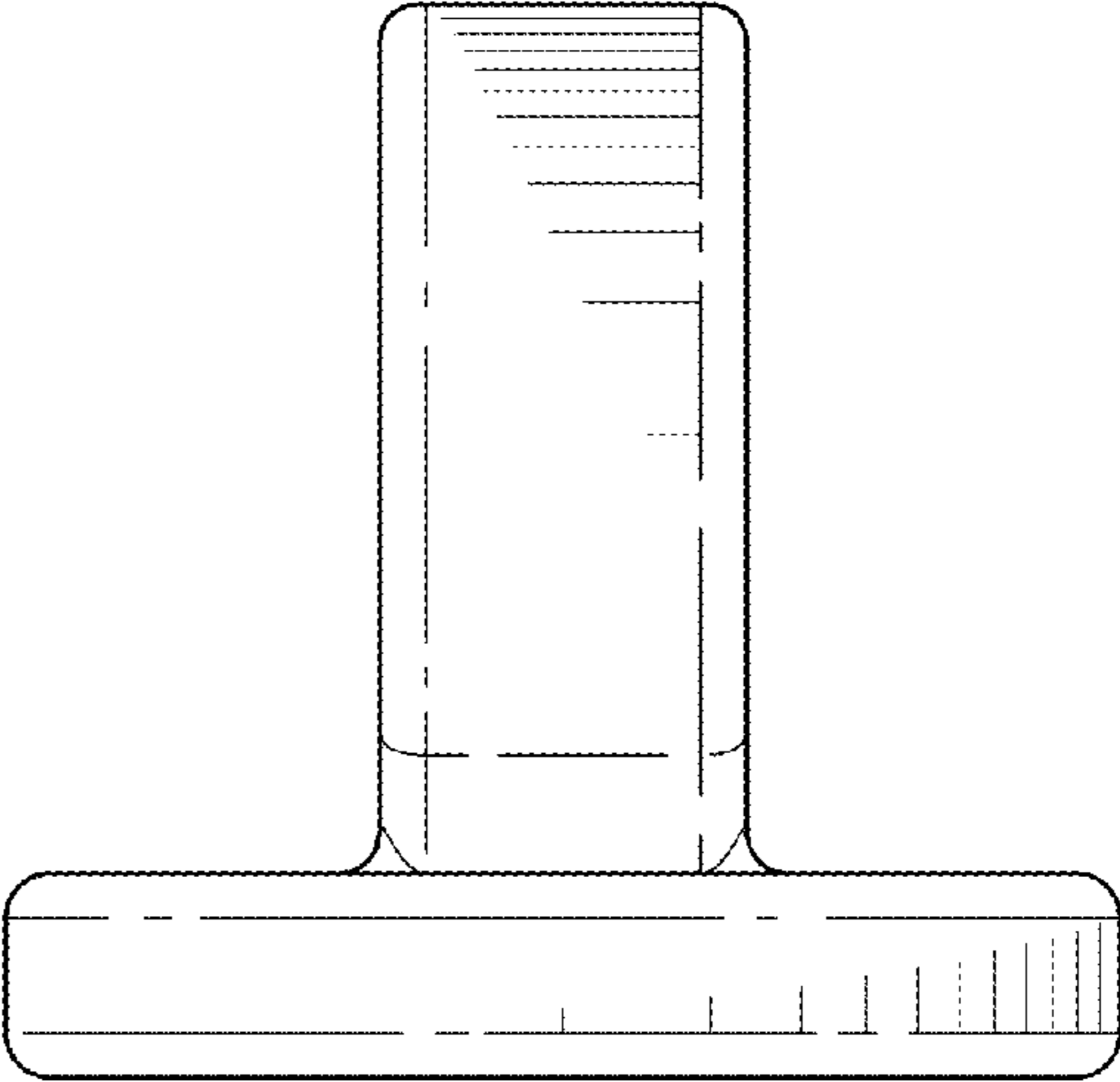


FIG. 3

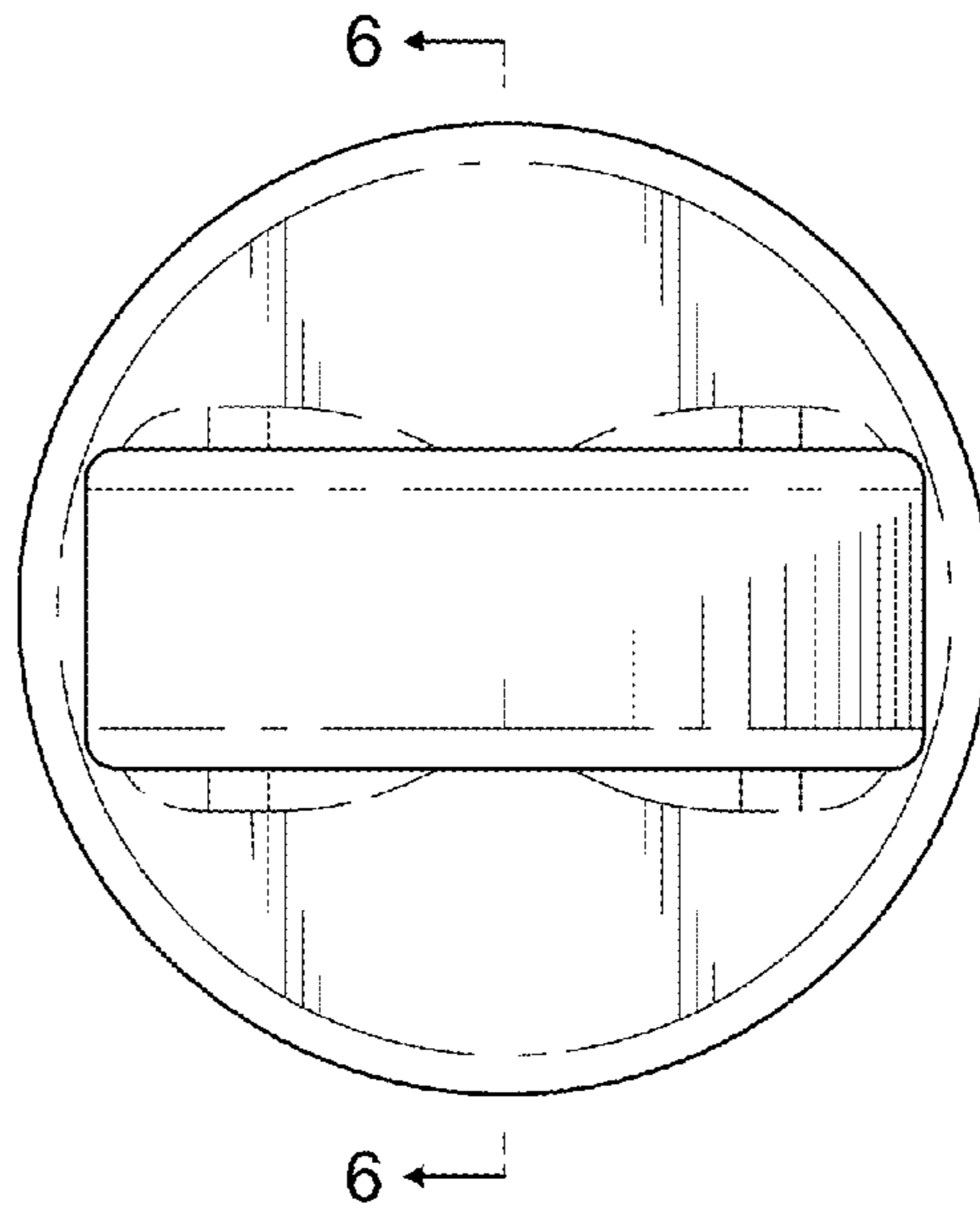


FIG. 4

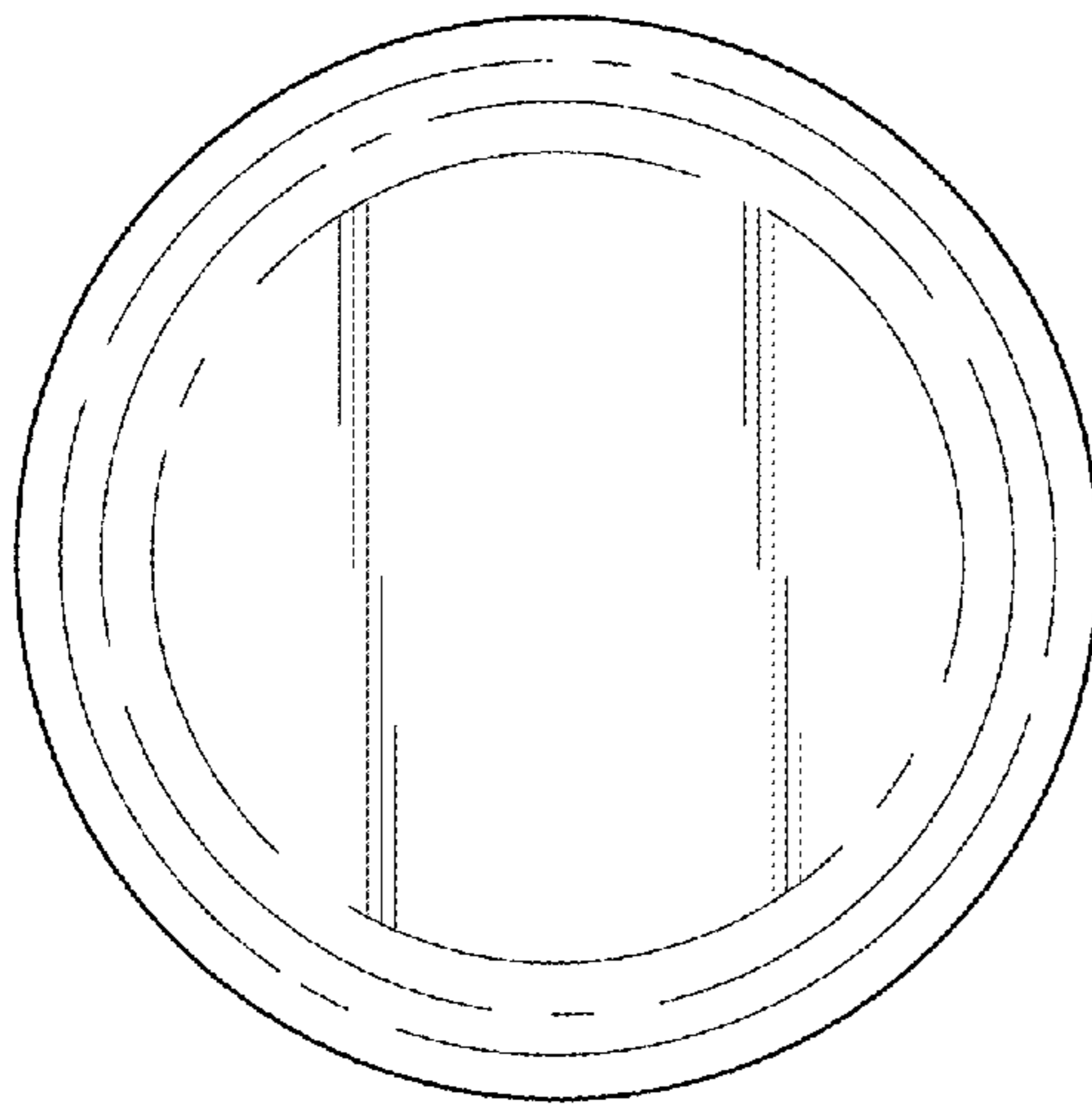


FIG. 5

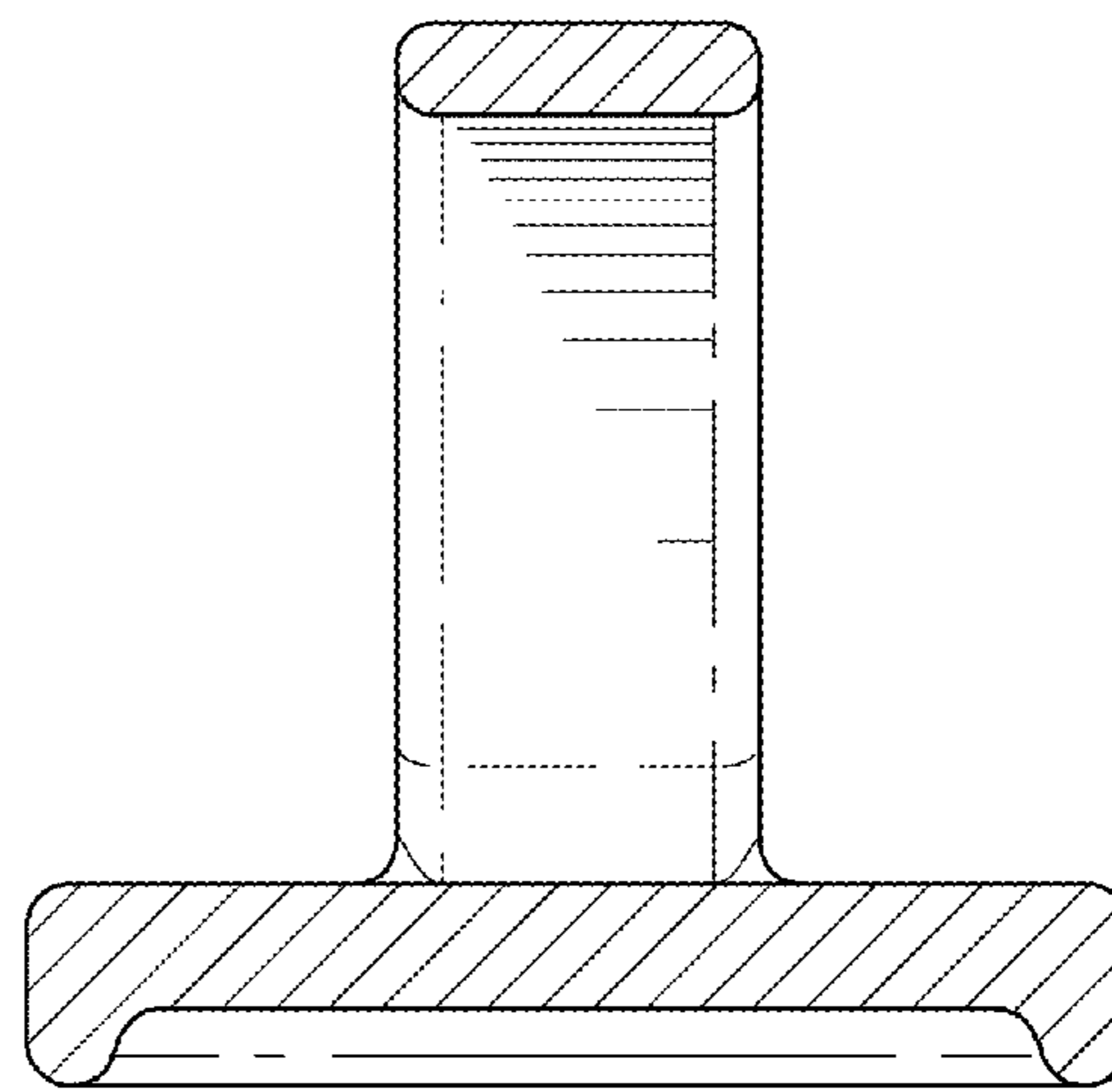


FIG. 6