



US00D739072S

(12) **United States Design Patent**
Adams et al.

(10) **Patent No.:** **US D739,072 S**
(45) **Date of Patent:** **** Sep. 15, 2015**

(54) **LIGHT FIXTURE**

(71) Applicants: **Stephen P. Adams**, Mesa, AZ (US);
Johnathan J. Heiner, Mesa, AZ (US)

(72) Inventors: **Stephen P. Adams**, Mesa, AZ (US);
Johnathan J. Heiner, Mesa, AZ (US)

(73) Assignee: **JST Performance, LLC**, Gilbert, AZ
(US)

(**) Term: **14 Years**

(21) Appl. No.: **29/499,119**

(22) Filed: **Aug. 12, 2014**

(51) **LOC (10) Cl.** **26-99**

(52) **U.S. Cl.**
USPC **D26/118**

(58) **Field of Classification Search**
USPC D26/24, 26, 28, 29, 34, 37, 38, 43, 44,
D26/51, 59, 60, 61, 63, 66, 67, 68, 72, 74,
D26/76, 85, 86, 88, 89, 91, 113, 118, 119,
D26/120, 122-124, 138, 140-146;
362/145-148, 150, 153, 153.1, 218,
362/249.01-249.05, 294, 296.01, 296.07,
362/296.08, 311.07, 311.09, 311.1, 345,
362/362, 364, 365, 366, 368, 370, 371, 373,
362/397, 418, 427, 428, 460, 473-476,
362/546-548
CPC F21V 21/14; F21V 21/30
See application file for complete search history.

(56) **References Cited**

U.S. PATENT DOCUMENTS

4,972,301	A	*	11/1990	Kasboske	362/362
D574,978	S	*	8/2008	Hyodo et al.	D26/28
D641,908	S	*	7/2011	McKee	D26/71
D693,509	S	*	11/2013	Hosick et al.	D26/63
D697,241	S	*	1/2014	Chen	D26/28

D703,861	S	*	4/2014	Holland et al.	D26/89
D704,363	S	*	5/2014	Adams	D26/28
D704,365	S	*	5/2014	Adams	D26/28
D708,778	S	*	7/2014	Sibitzky et al.	D26/118
D716,477	S	*	10/2014	Chu	D26/28
D718,478	S	*	11/2014	Adams	D26/28
2010/0014289	A1	*	1/2010	Thomas et al.	362/294
2013/0265755	A1	*	10/2013	Adams	362/235
2014/0126214	A1	*	5/2014	Gebhard et al.	362/294
2014/0146544	A1	*	5/2014	Gebhard et al.	362/311.02

* cited by examiner

Primary Examiner — Cynthia Ramirez

Assistant Examiner — Llorelys Martinez-Rivera

(57) **CLAIM**

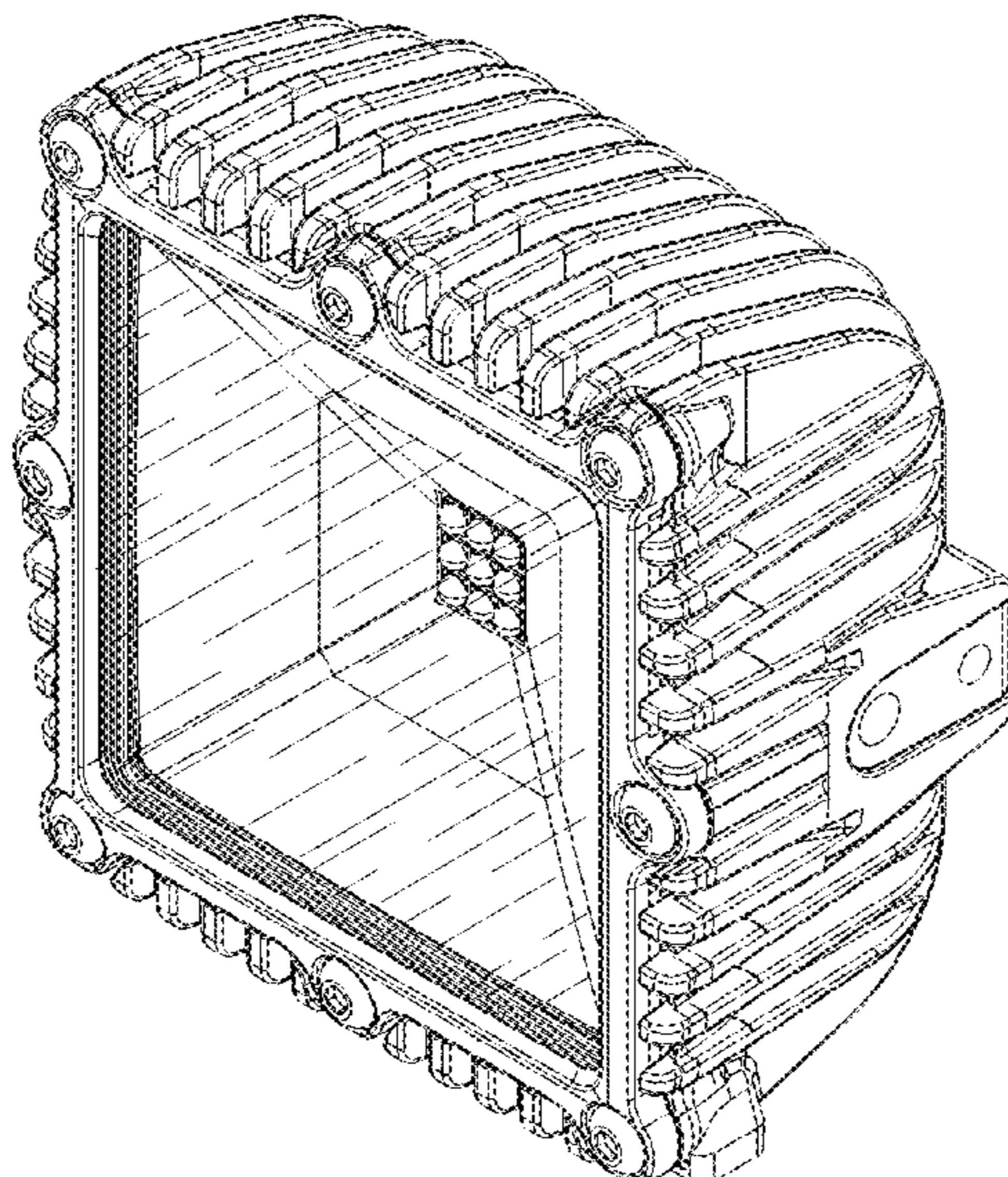
The ornamental design for a light fixture, as shown and described.

DESCRIPTION

FIG. 1 is a front, right, top perspective view of a light fixture showing our new design;
FIG. 2 is a front and left side top perspective view thereof;
FIG. 3 is a front and right side bottom perspective view thereof;
FIG. 4 is a front and left side bottom perspective view thereof;
FIG. 5 is a back and right side top perspective view thereof;
FIG. 6 is a back and left side top perspective view thereof;
FIG. 7 is a back and left side bottom perspective view thereof;
FIG. 8 is a back and right side bottom perspective view thereof;
FIG. 9 is a front side view thereof;
FIG. 10 is a back side view thereof;
FIG. 11 is a left side view thereof;
FIG. 12 is a right side view thereof;
FIG. 13 is a top view thereof; and,
FIG. 14 is a bottom view thereof.

The broken lines in the drawings illustrate environmental subject matter only and form no part of the claimed design.

1 Claim, 14 Drawing Sheets



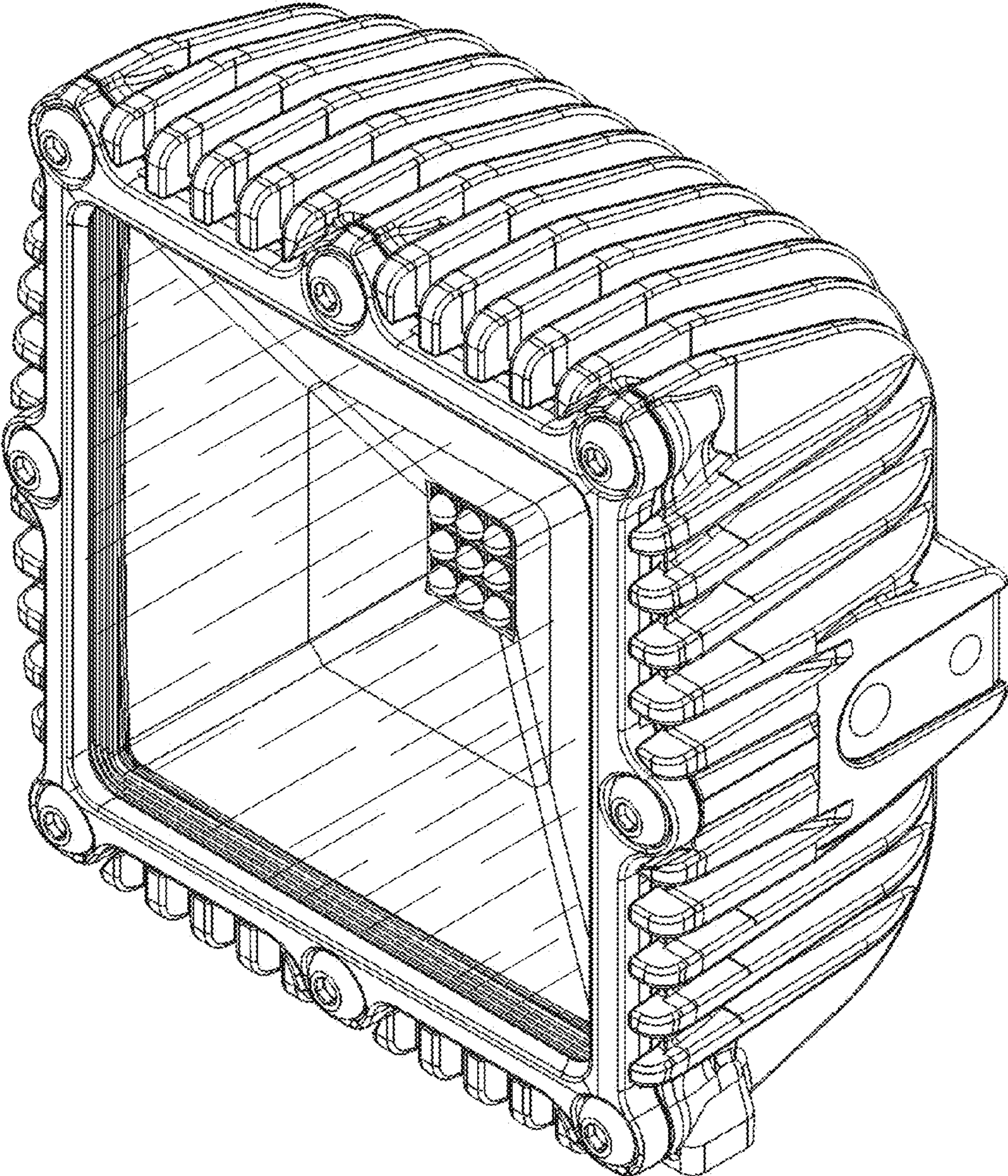


FIG. 1

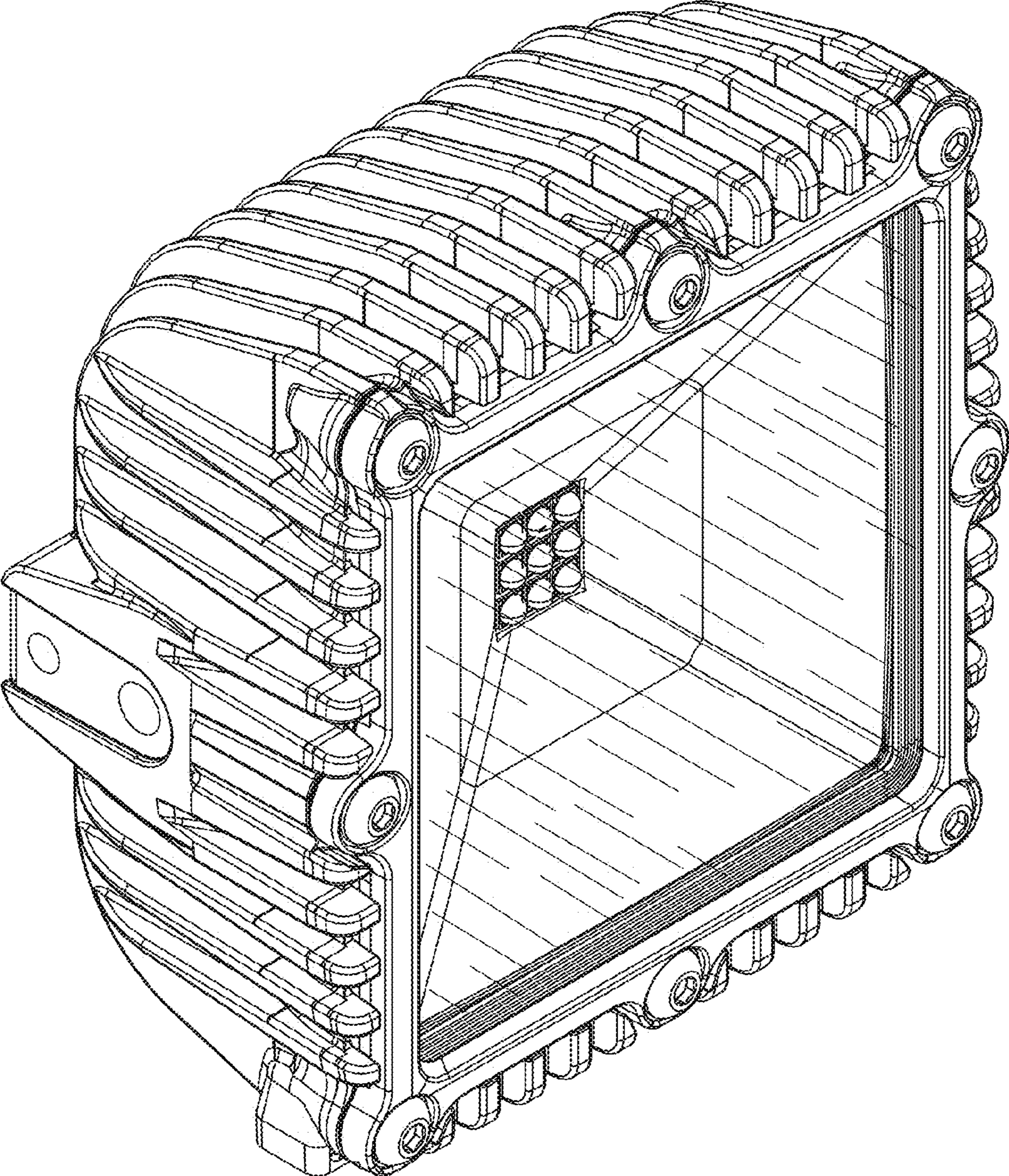


FIG. 2

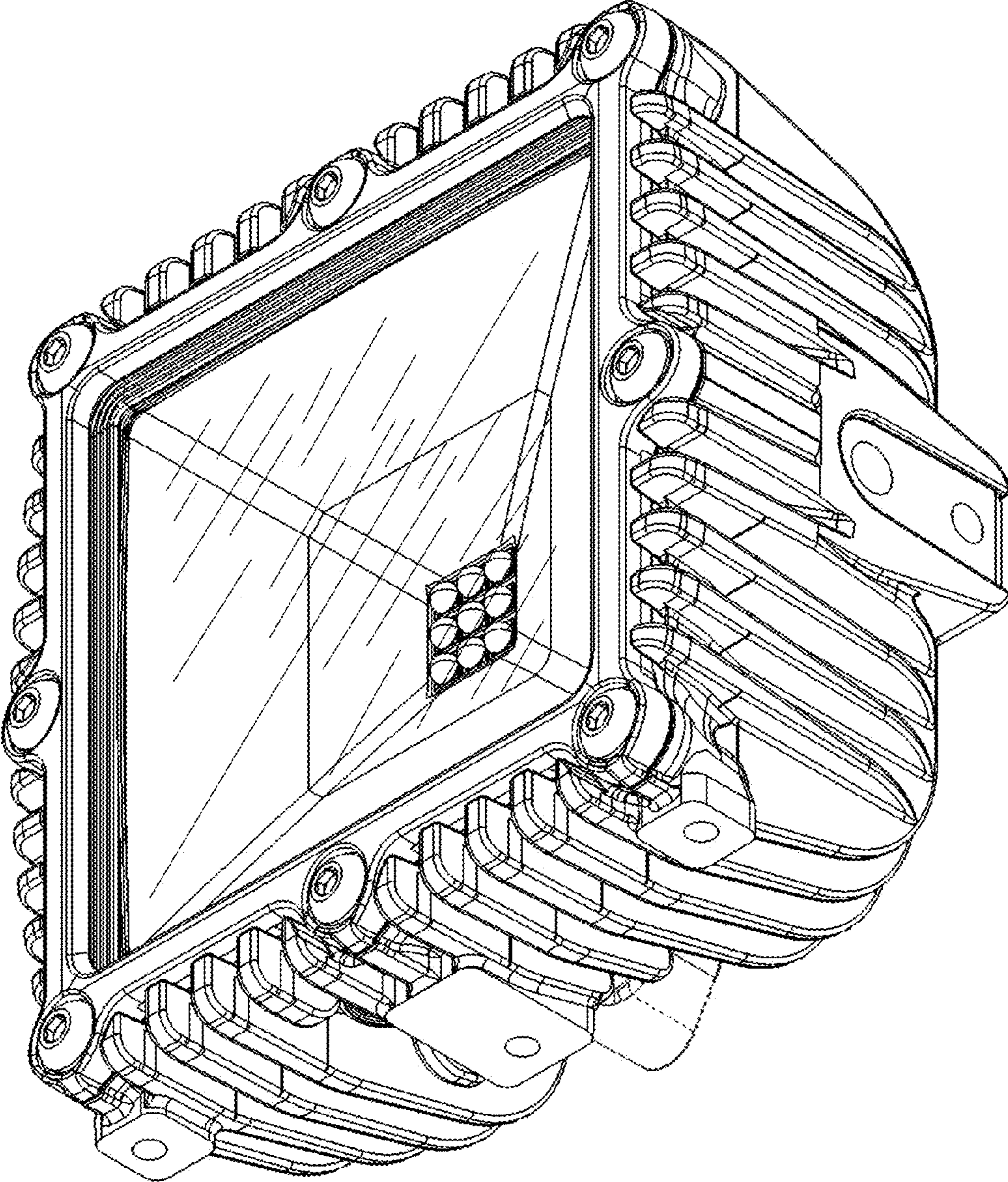


FIG. 3

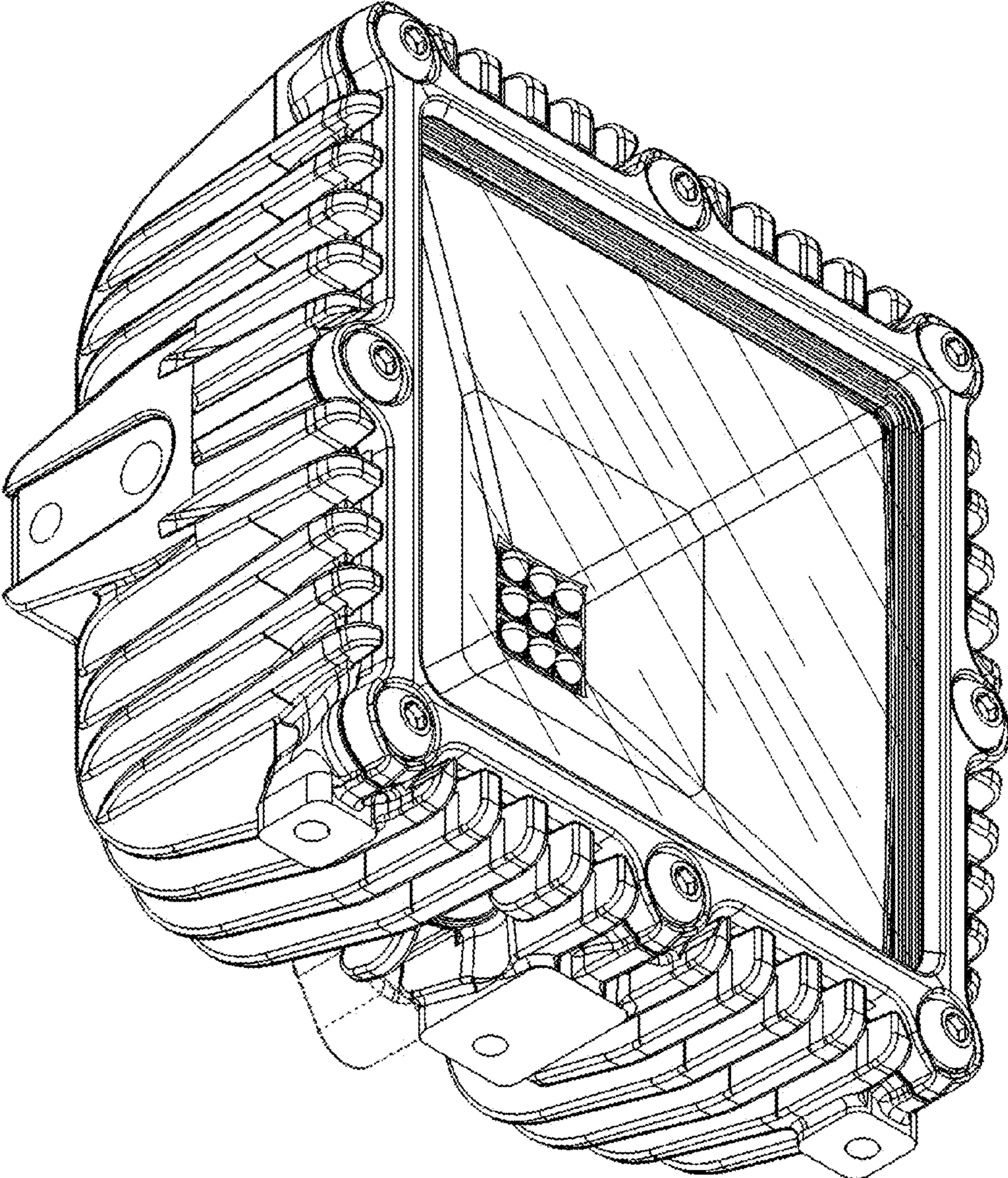


FIG. 4

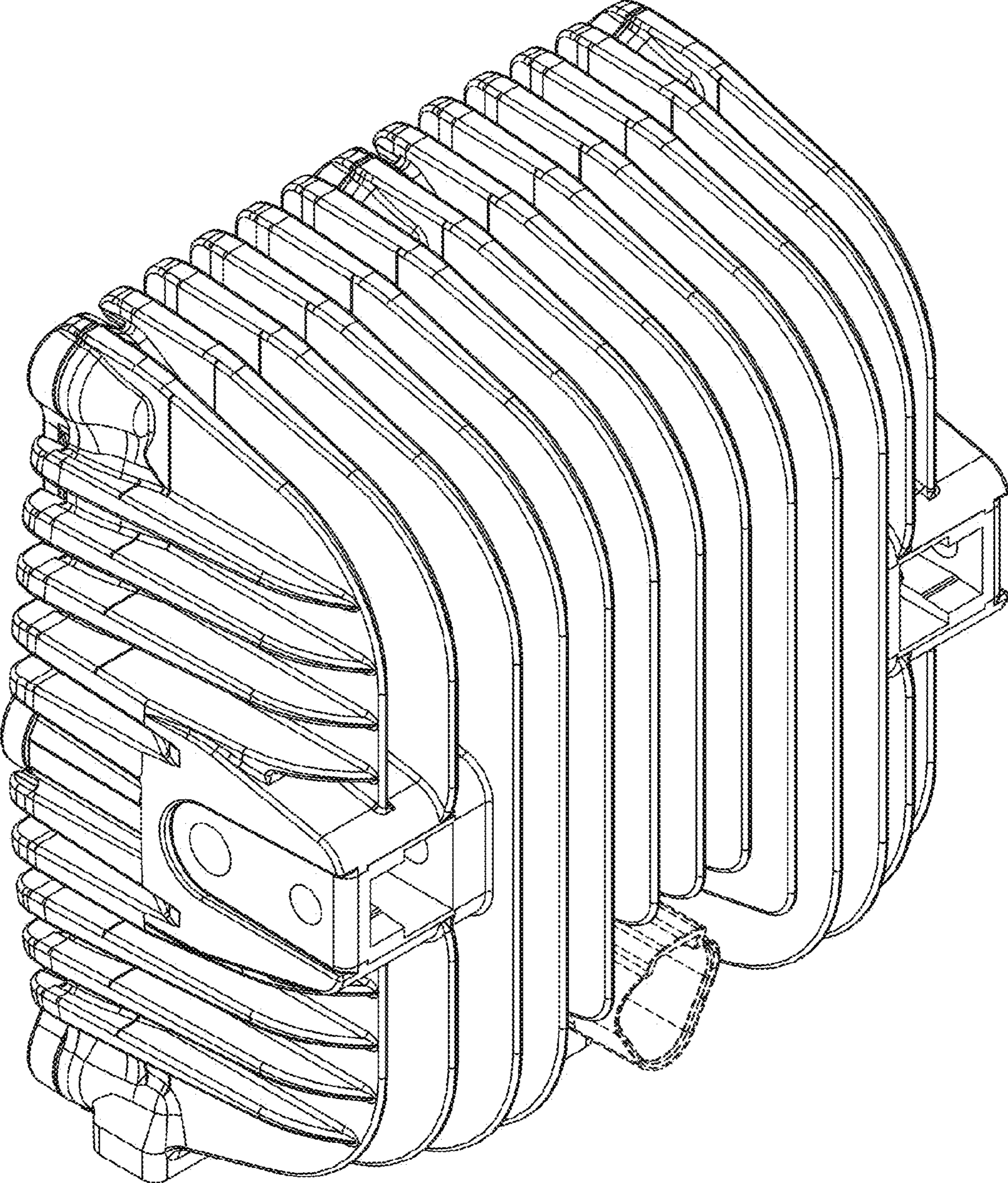


FIG. 5

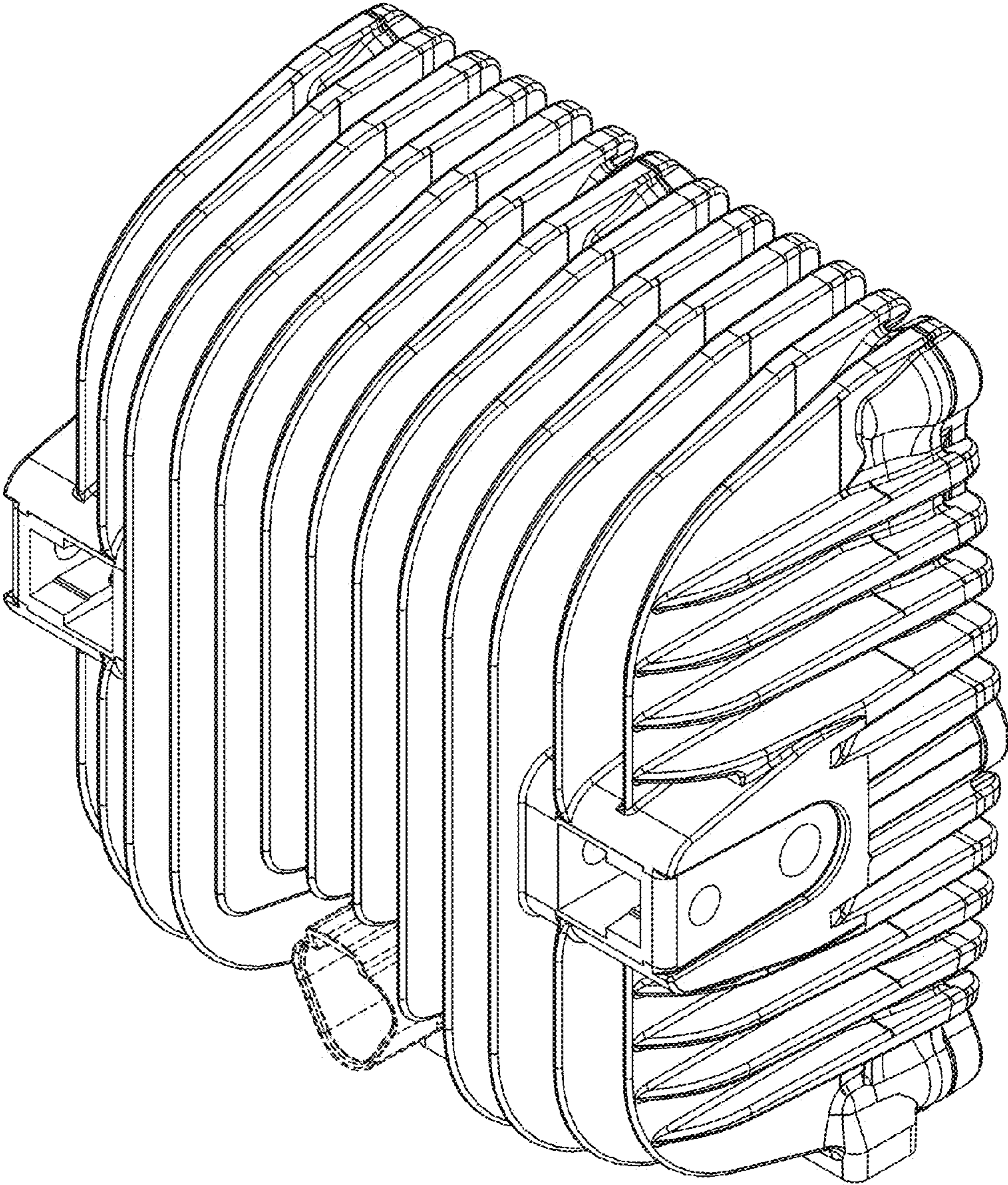


FIG. 6

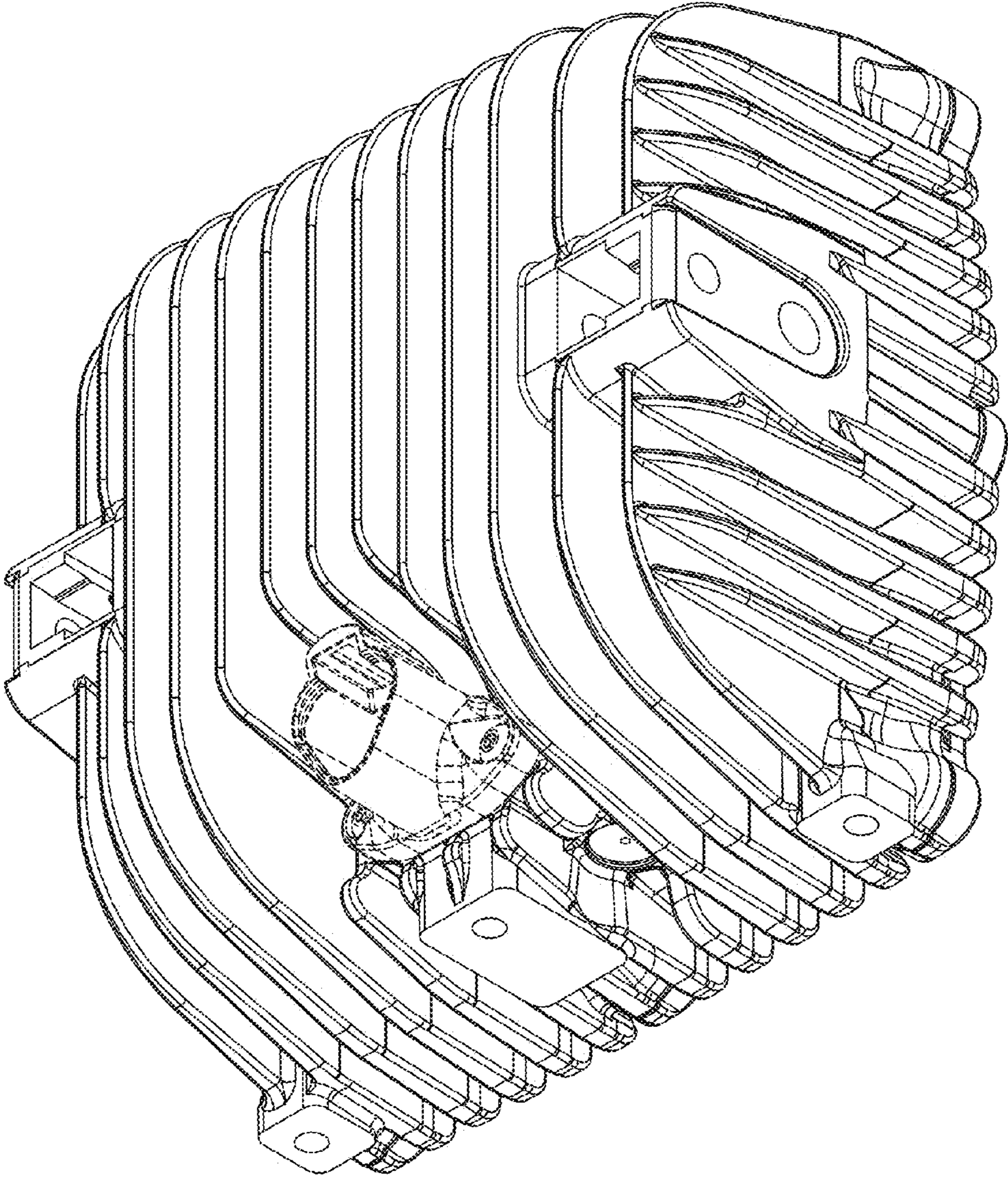


FIG. 7

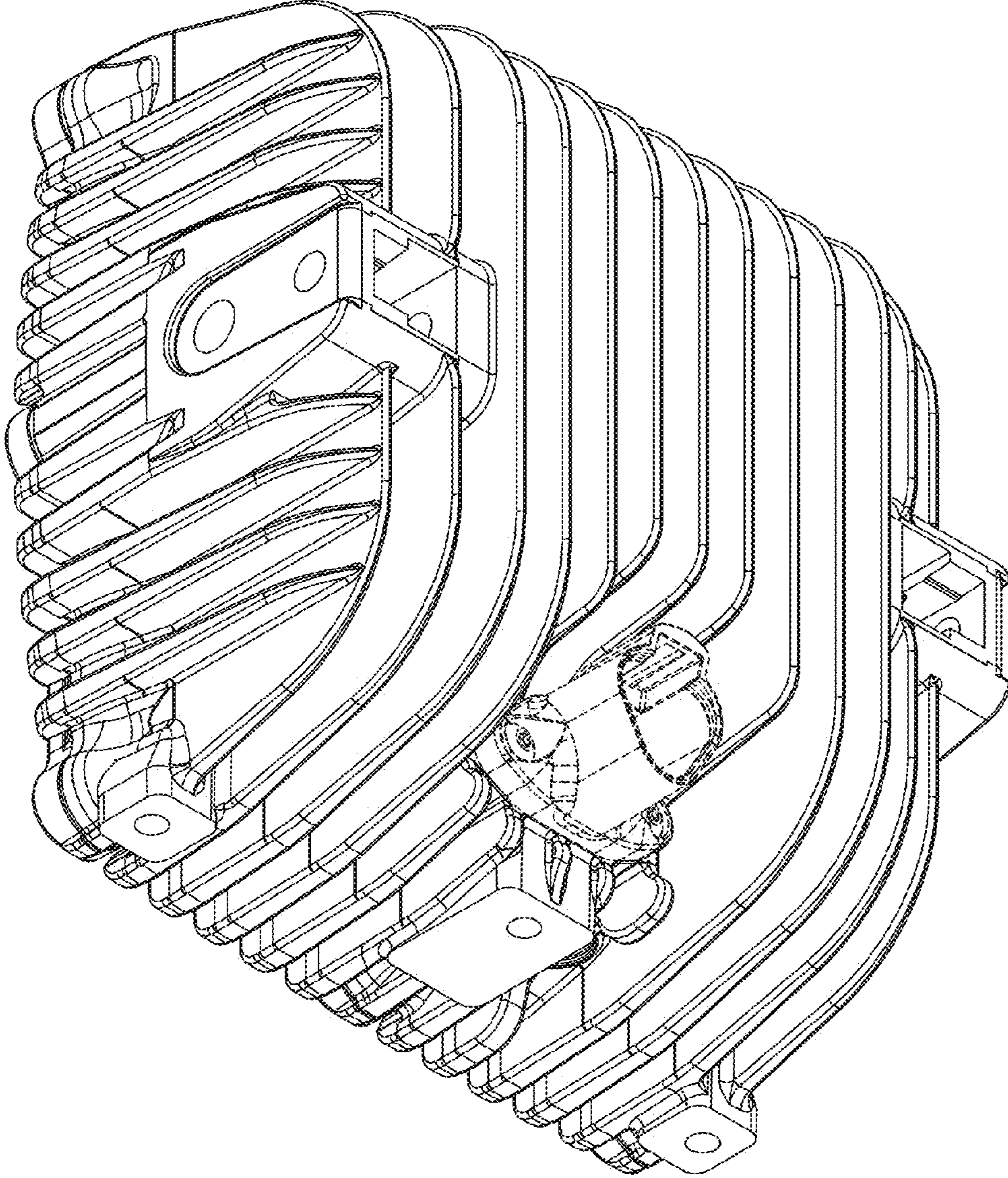


FIG. 8

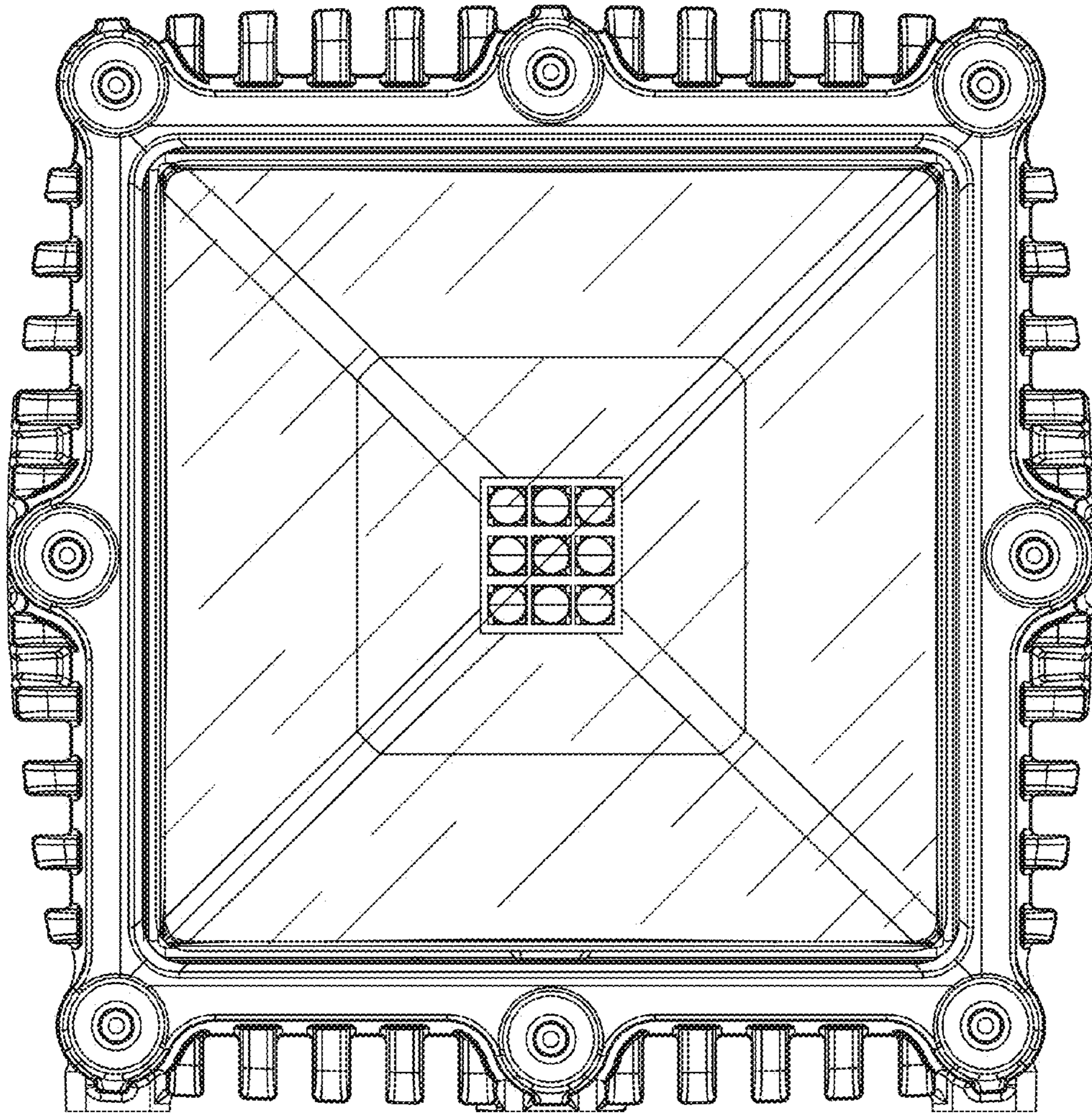


FIG. 9

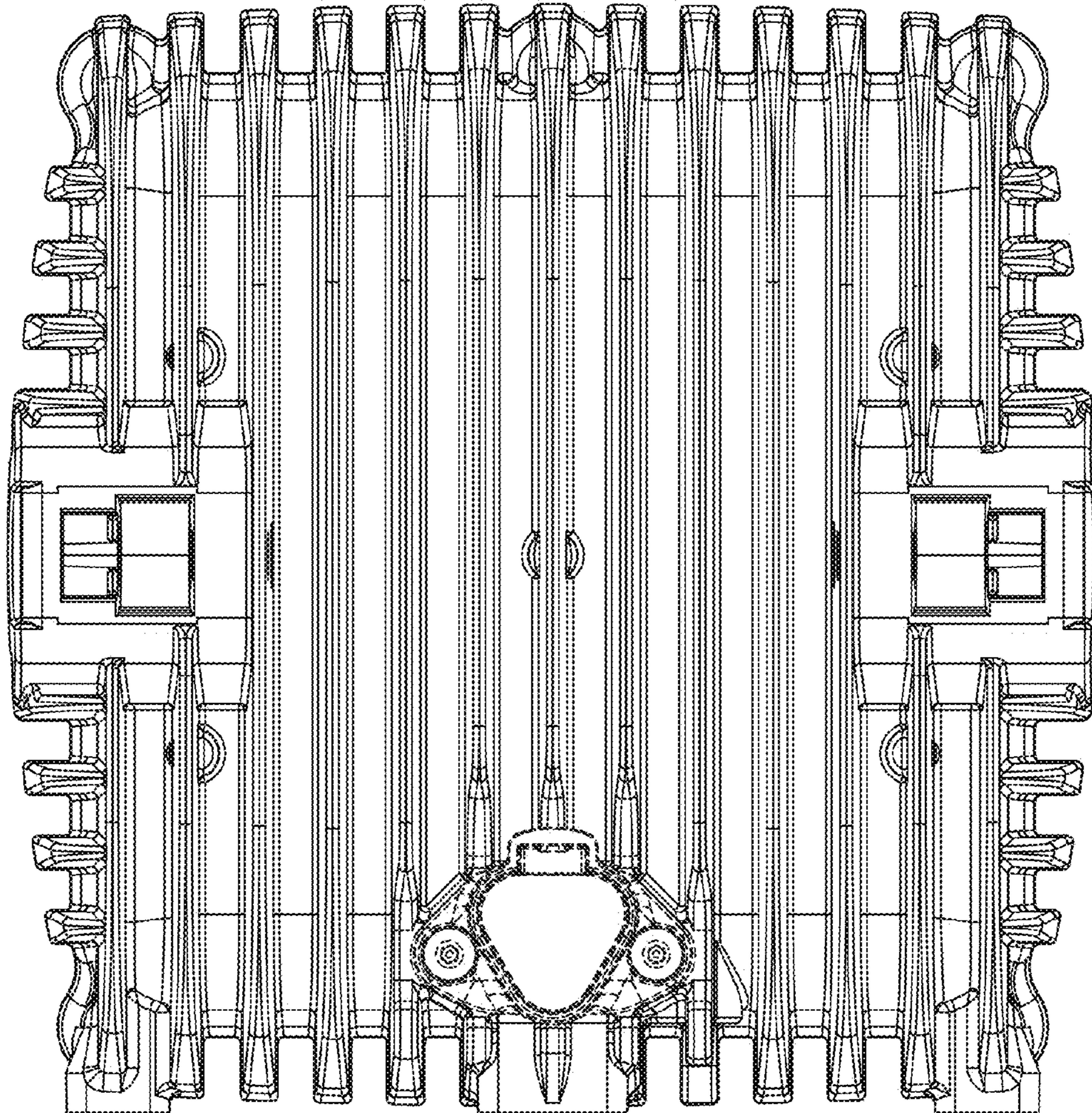


FIG. 10

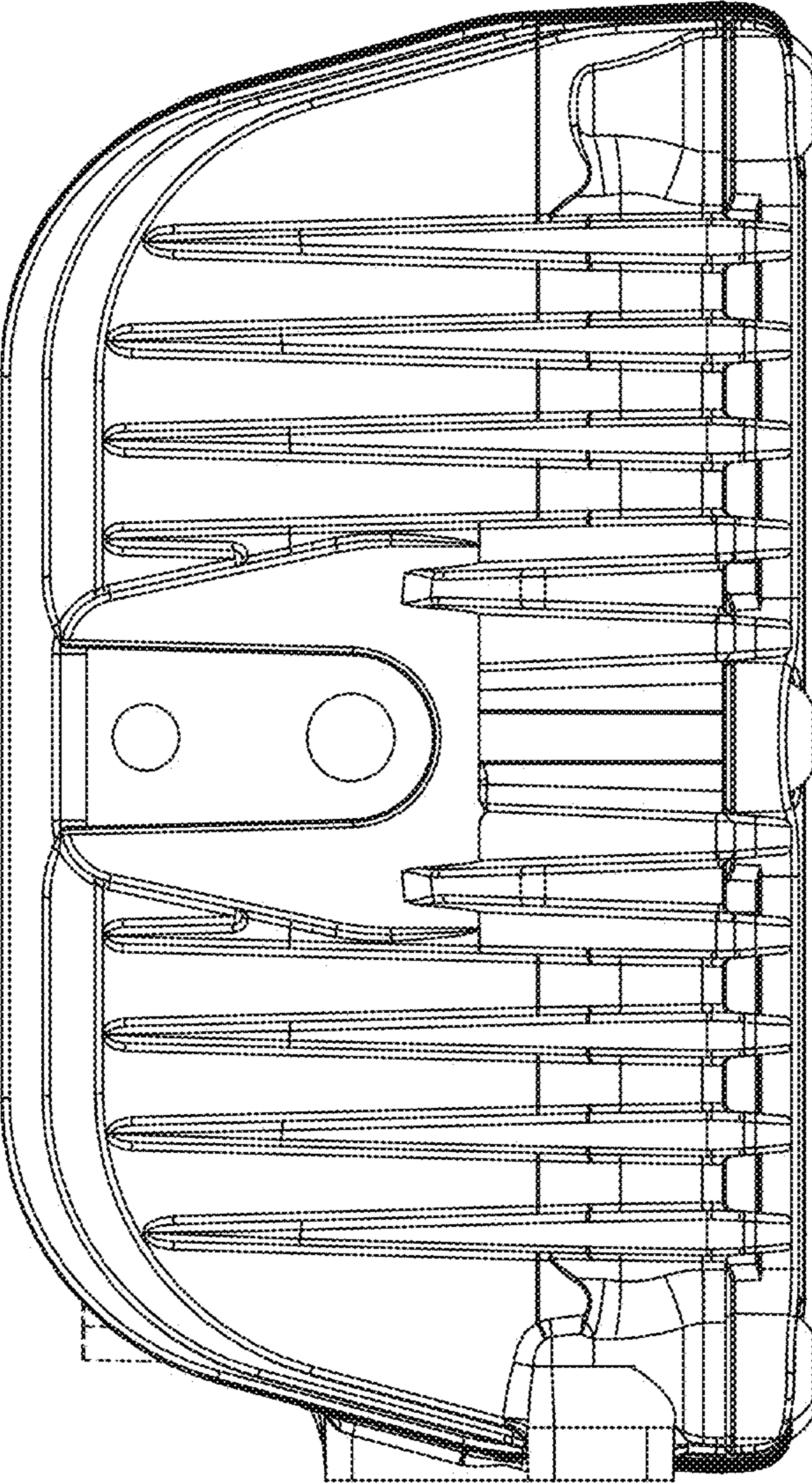


FIG. 11

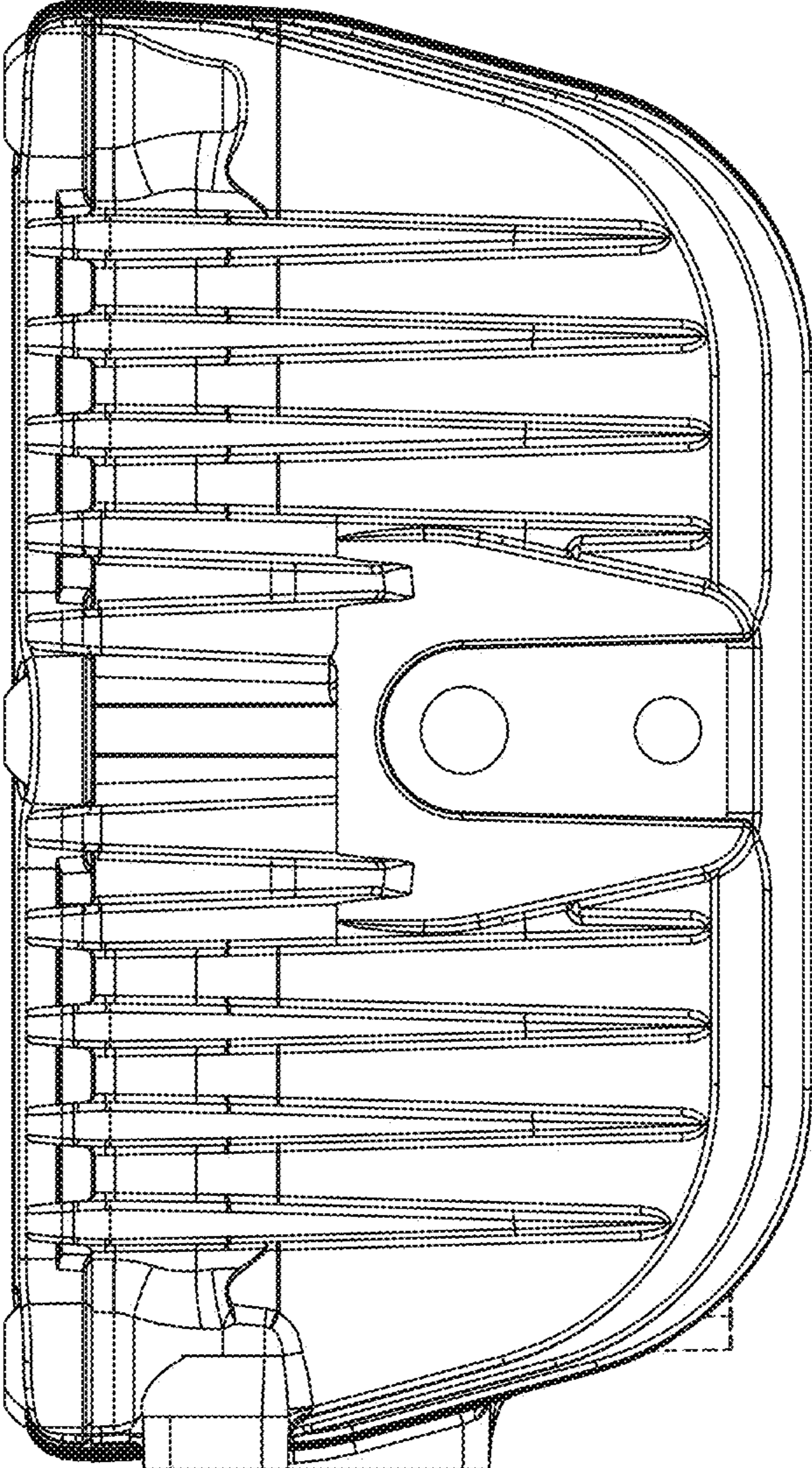


FIG. 12

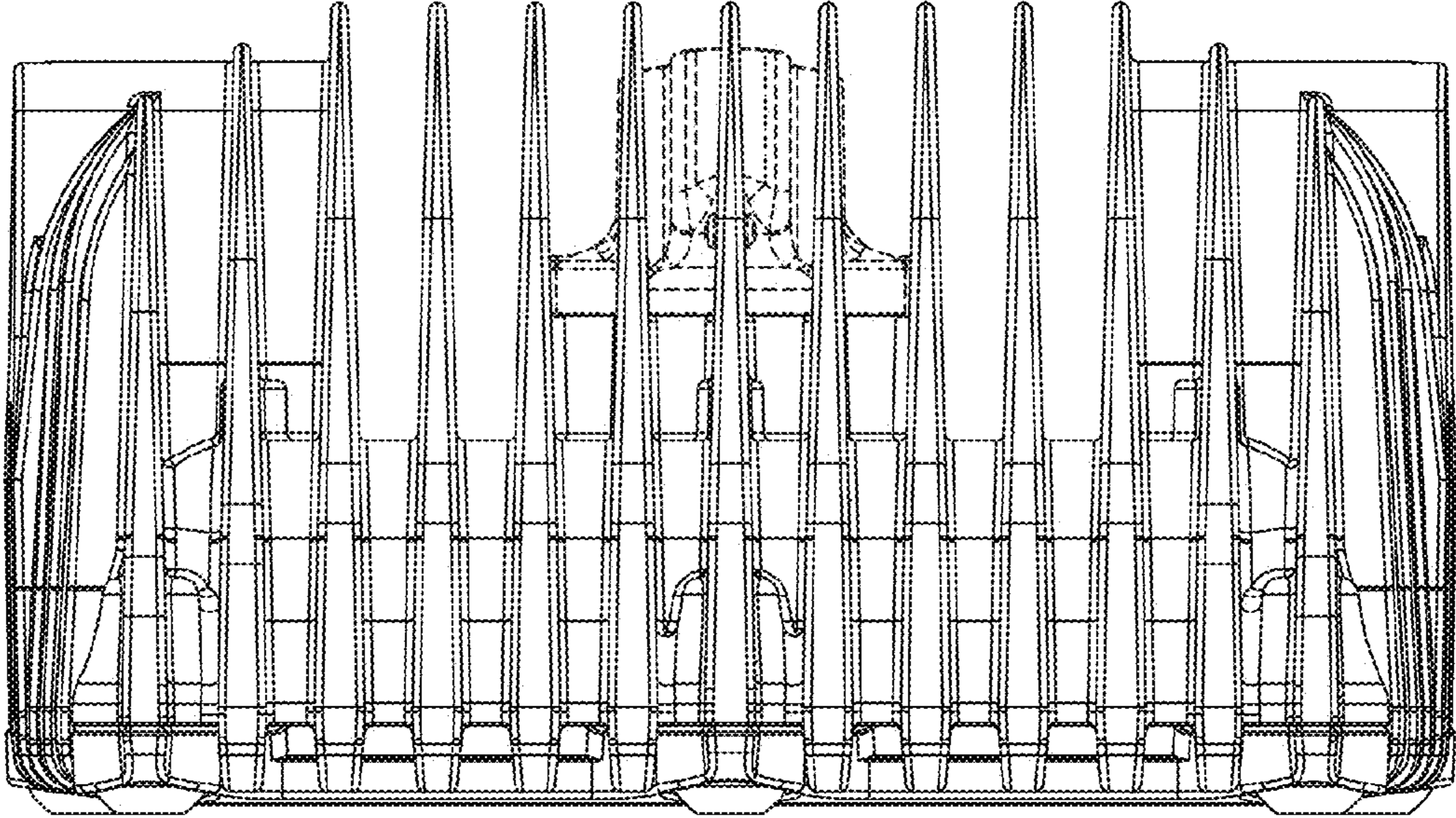


FIG. 13

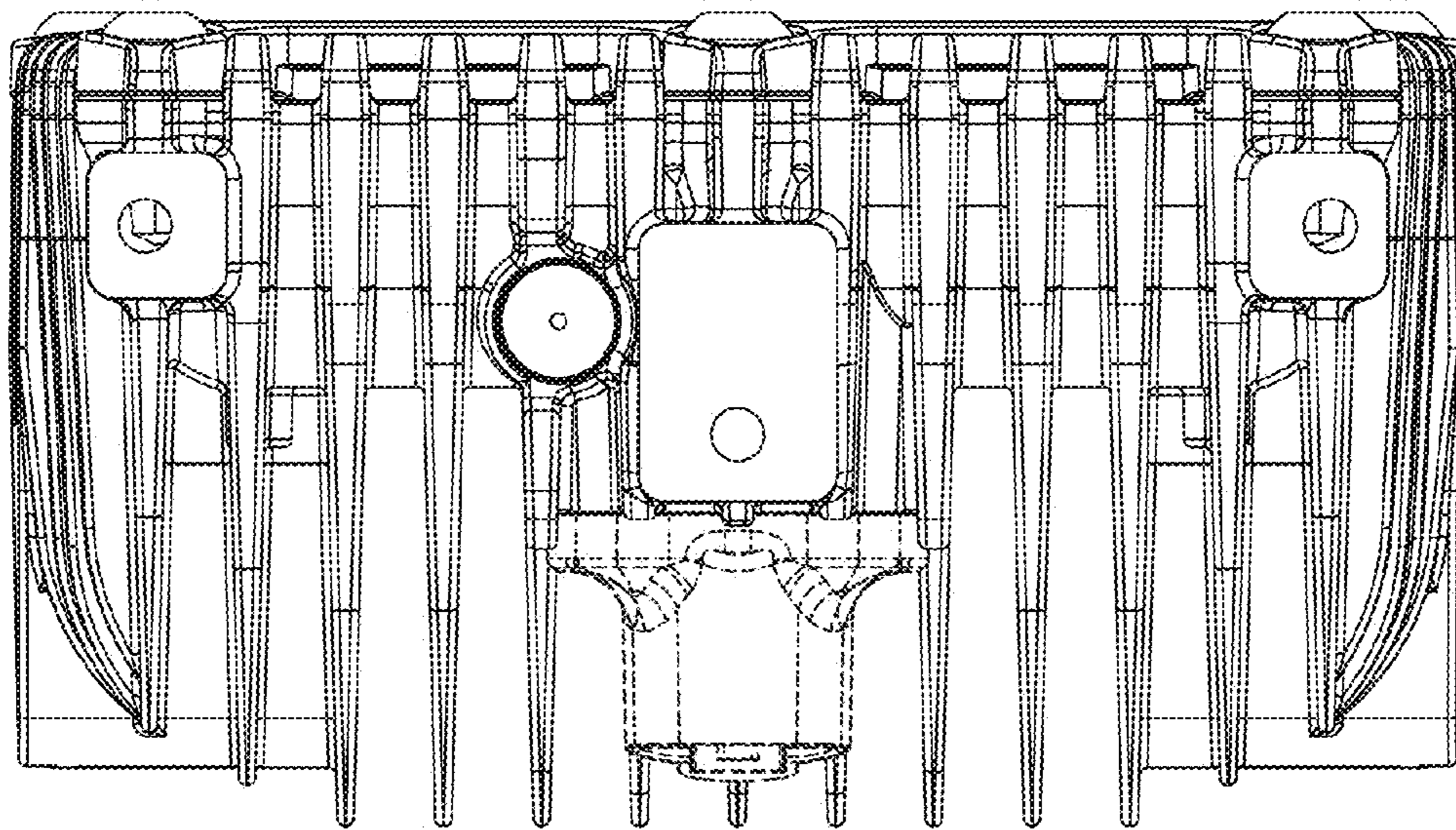


FIG. 14