



US00D739071S

(12) **United States Design Patent**
Adams

(10) **Patent No.:** **US D739,071 S**

(45) **Date of Patent:** **** Sep. 15, 2015**

(54) **GEOMETRIC FORM FOR A LAMP BASE OR SIMILAR ARTICLE**

(71) Applicant: **Brian Michael Adams**, Bellbrook, OH (US)

(72) Inventor: **Brian Michael Adams**, Bellbrook, OH (US)

(73) Assignee: **Brian Michael Adams**, Bellbrook, OH (US)

(**) Term: **14 Years**

(21) Appl. No.: **29/463,265**

(22) Filed: **Sep. 24, 2013**

(51) **LOC (10) Cl.** **26-03**

(52) **U.S. Cl.**
USPC **D26/110**

(58) **Field of Classification Search**
USPC D26/1, 24, 93, 107, 110, 112
CPC F21S 6/00; F21S 6/002; F21S 8/08;
F21V 21/02; F21W 2131/30
See application file for complete search history.

(56) **References Cited**

U.S. PATENT DOCUMENTS

- D155,340 S * 9/1949 Frisbie D26/93
- D156,364 S * 12/1949 Norton D26/93
- D203,861 S * 2/1966 Roman D26/107

D614,799 S * 4/2010 Sabernig D26/93

* cited by examiner

Primary Examiner — Brian N Vinson

(74) *Attorney, Agent, or Firm* — Dinsmore & Shohl LLP

(57) **CLAIM**

The ornamental design for a geometric form for a lamp base or similar article, as shown and described.

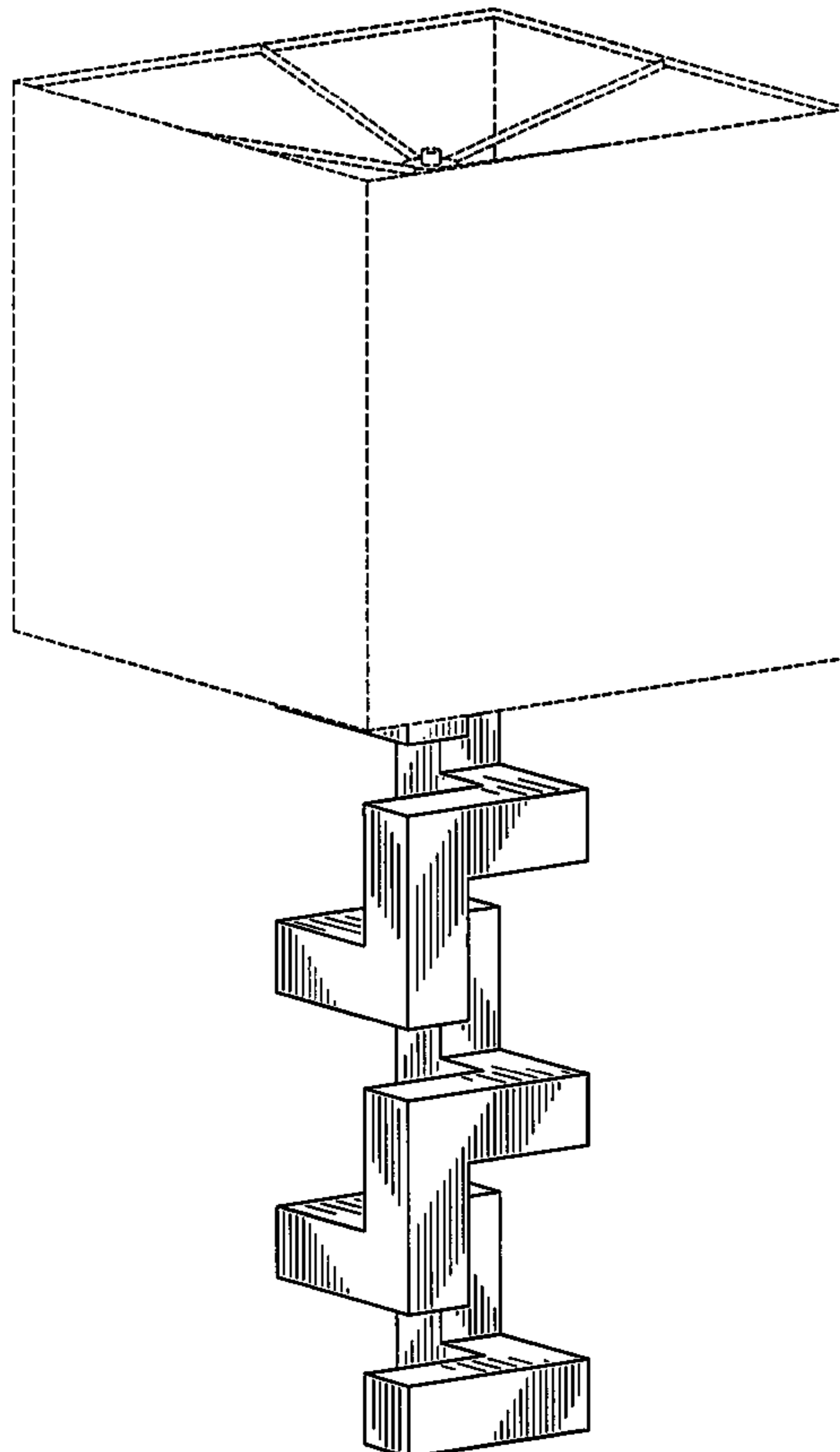
DESCRIPTION

FIG. 1 is a perspective view of a geometric form for a lamp base or similar article of my new design;
FIG. 2 is a front view thereof;
FIG. 3 is a left side view thereof;
FIG. 4 is a back view thereof;
FIG. 5 is a right side view thereof;
FIG. 6 is a top view thereof; and,
FIG. 7 is a bottom view thereof.

The dominant characteristics of the present geometric form for a lamp base or similar article shows a cubical spiral repeating pattern in a clockwise and/or counterclockwise direction which expresses positive/negative space in a counter balanced manner.

The broken lines shown in the figures are for illustrative purposes only and form no part of the claimed design.

1 Claim, 7 Drawing Sheets



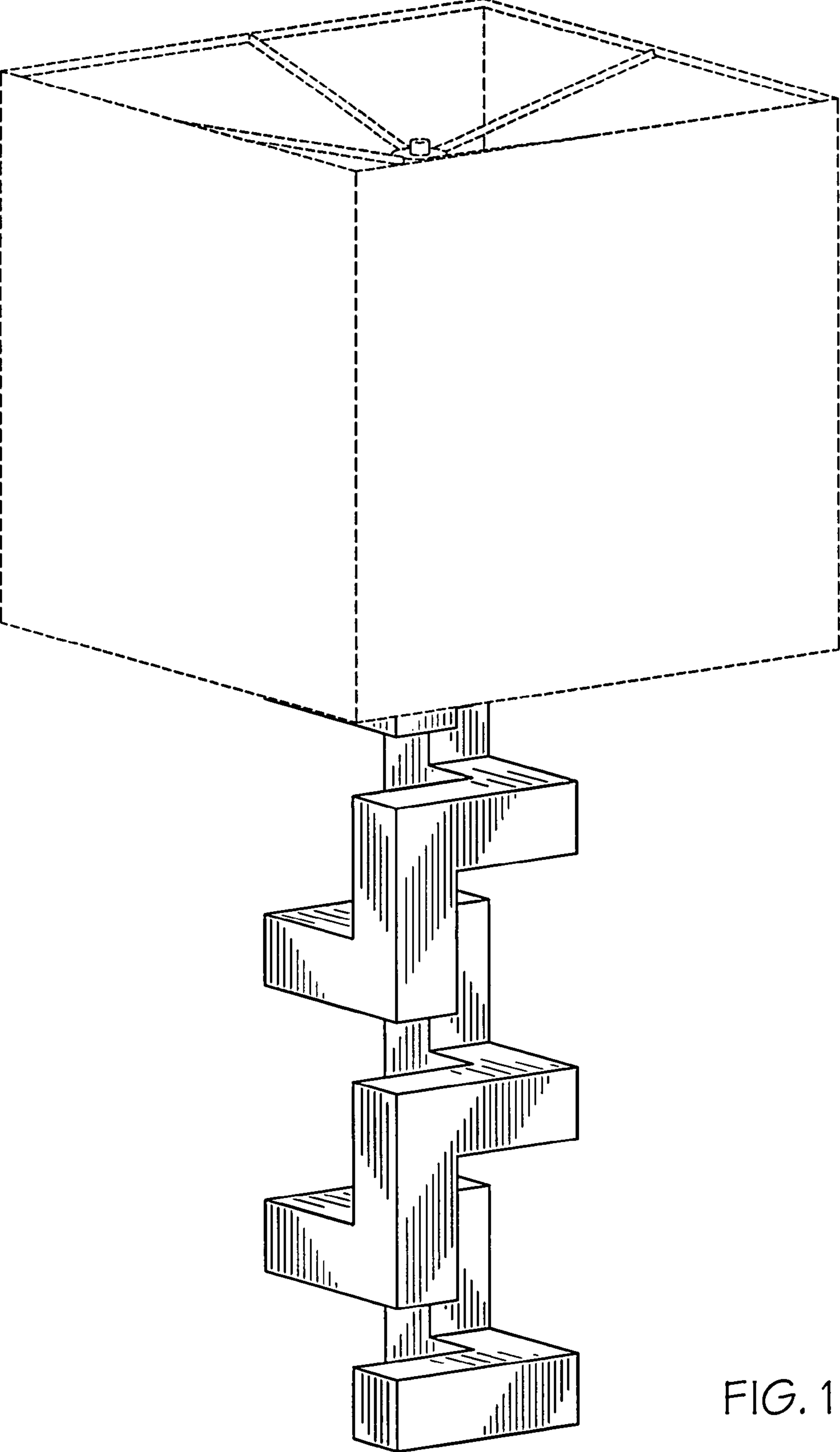


FIG. 1

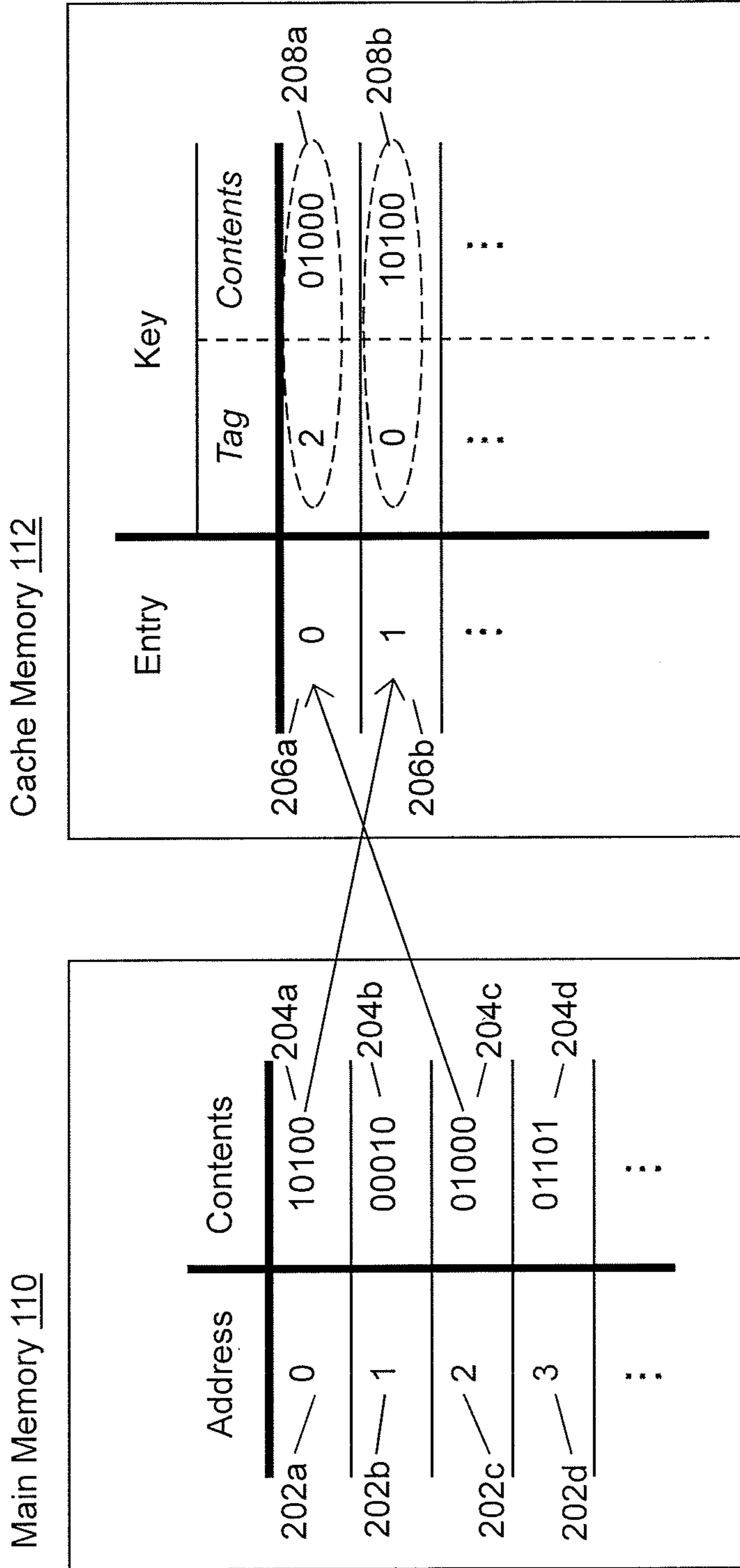


FIG. 2

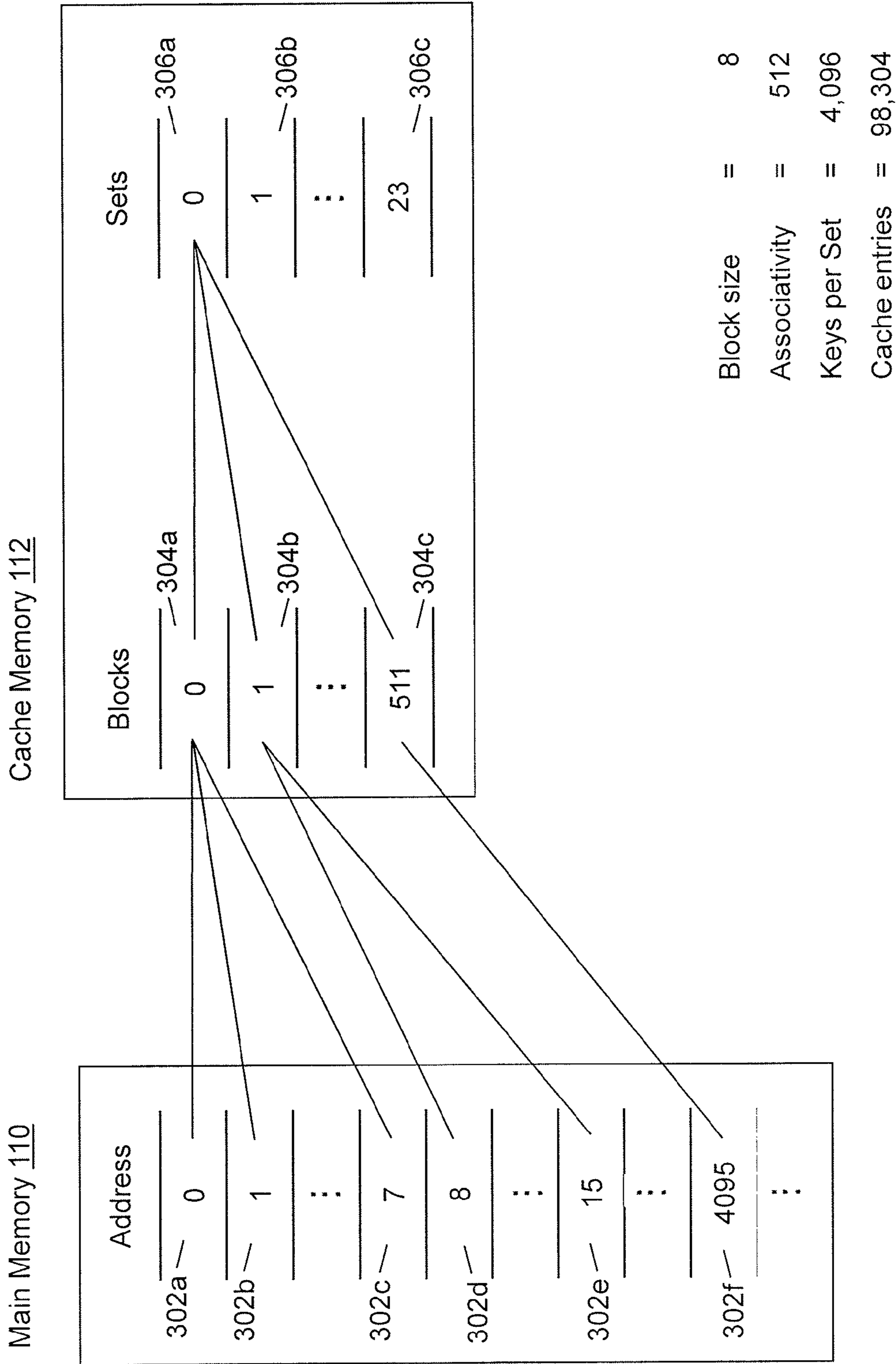


FIG. 3

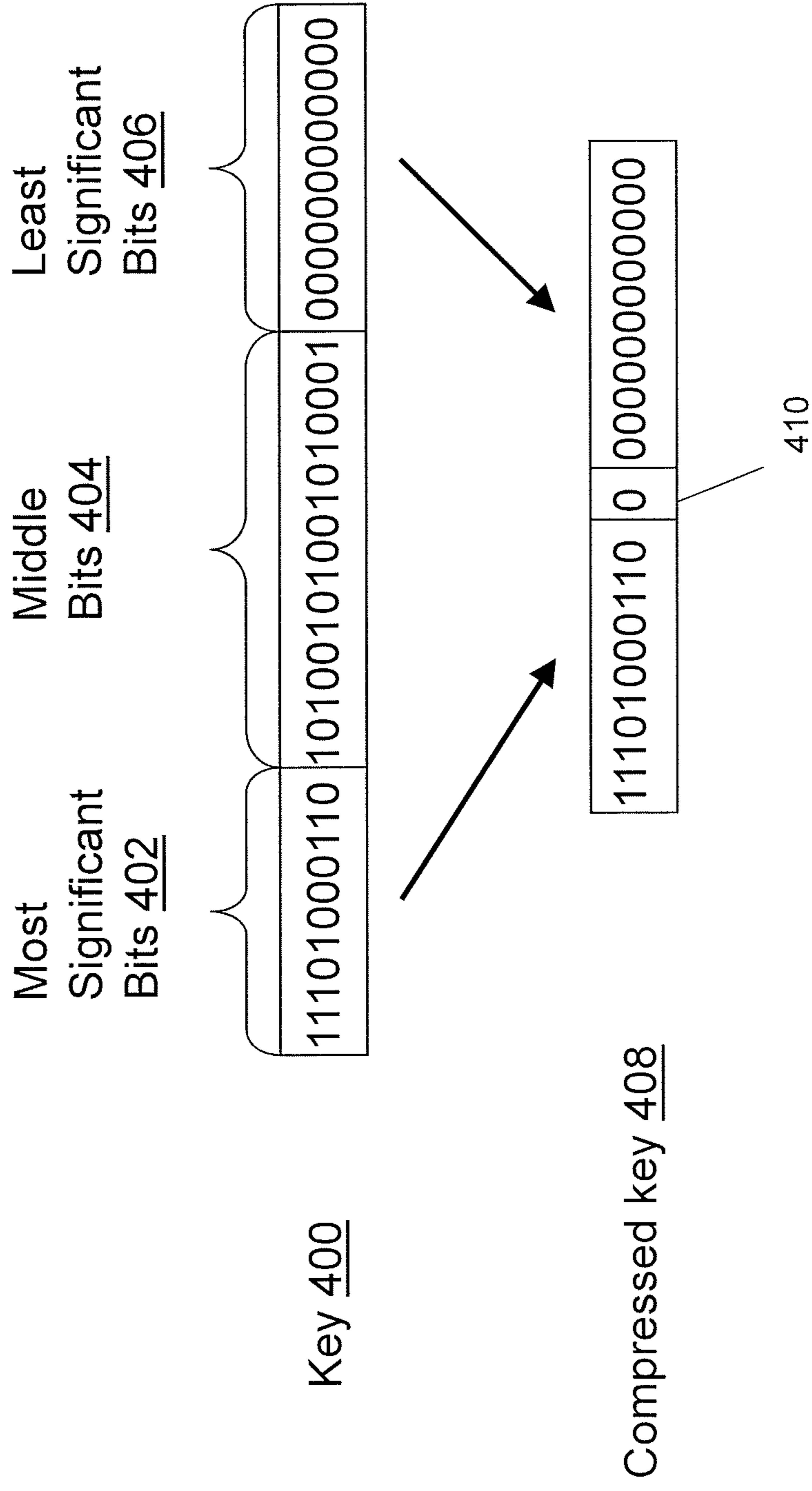


FIG. 4

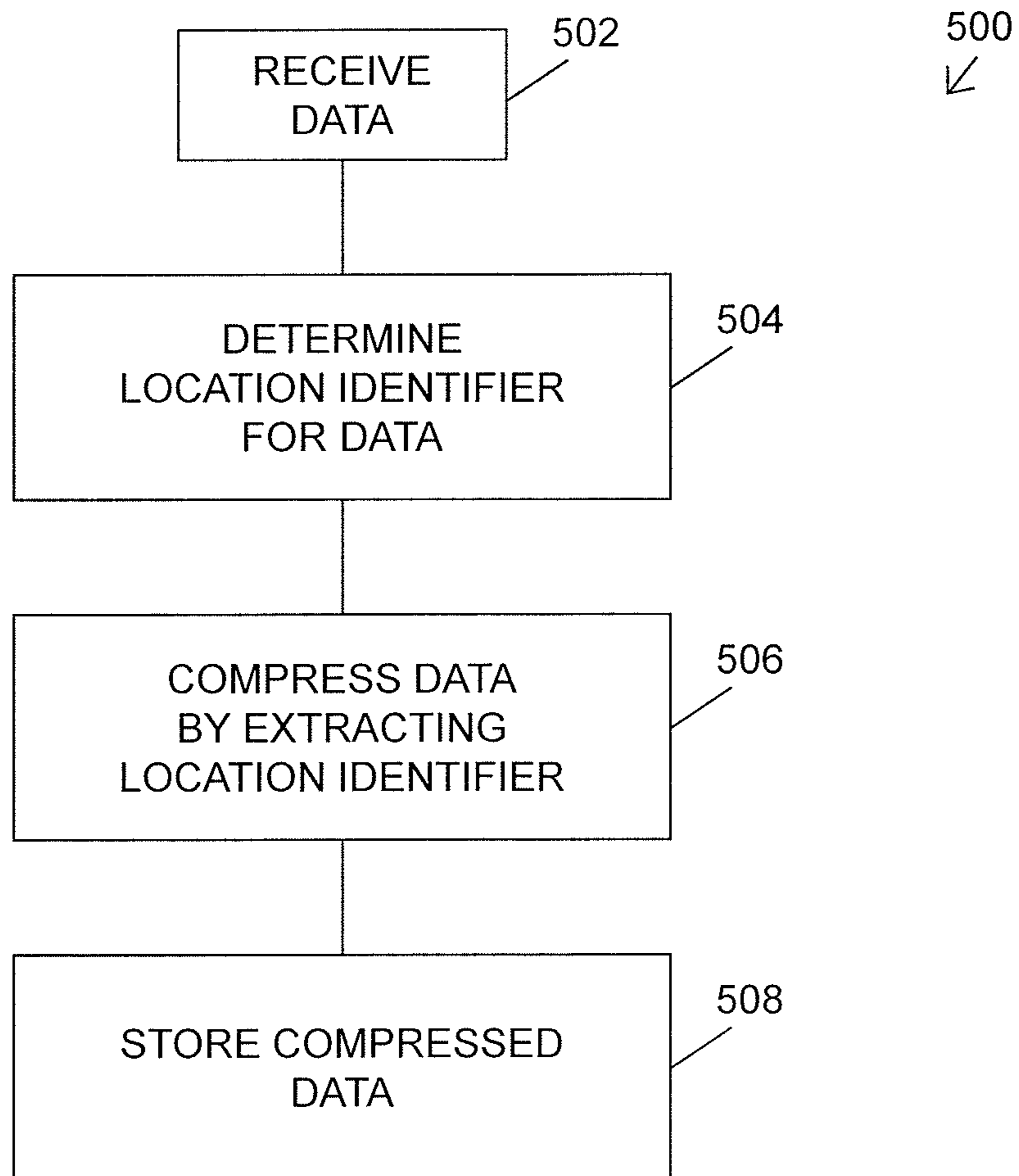


FIG. 5

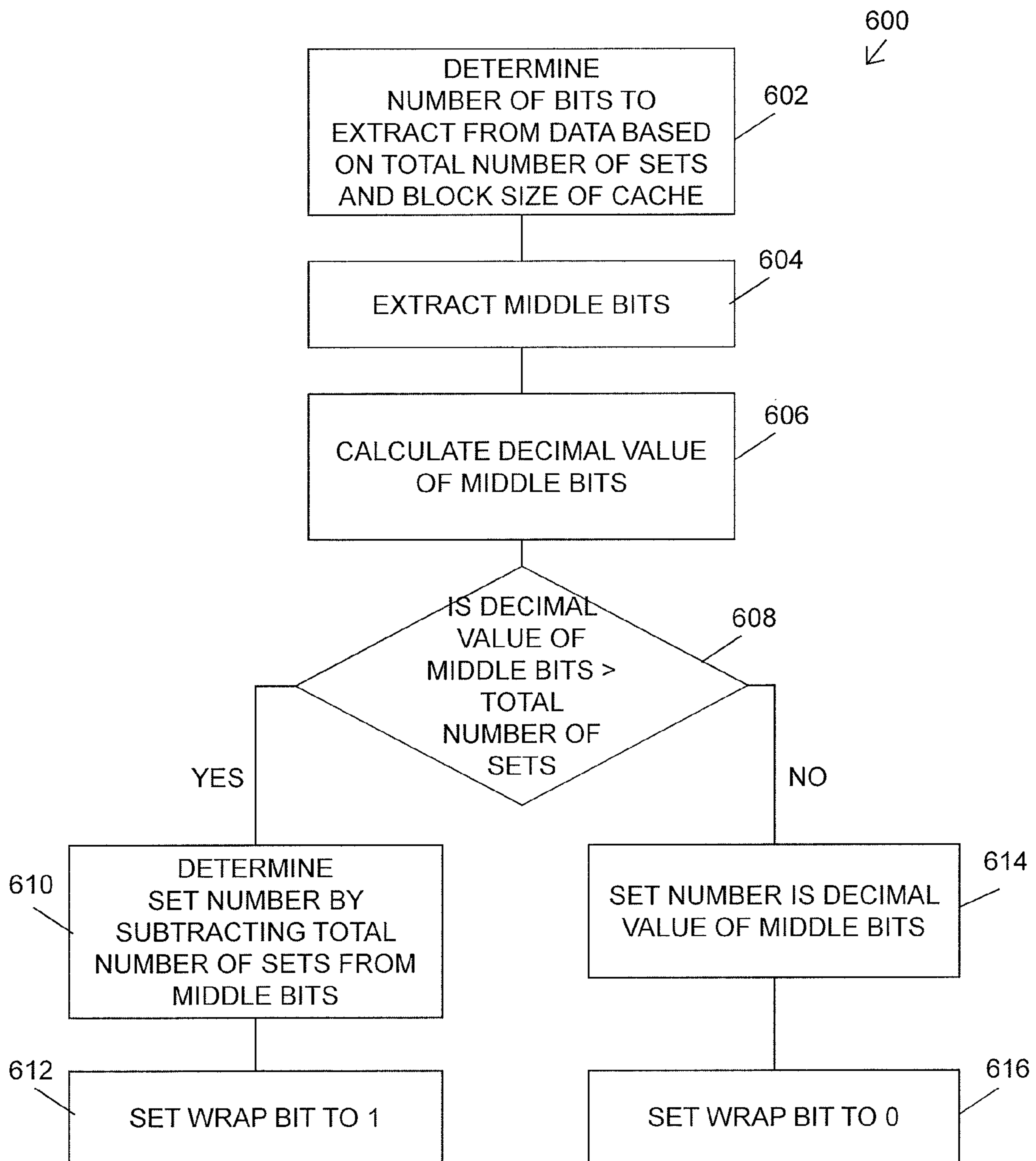
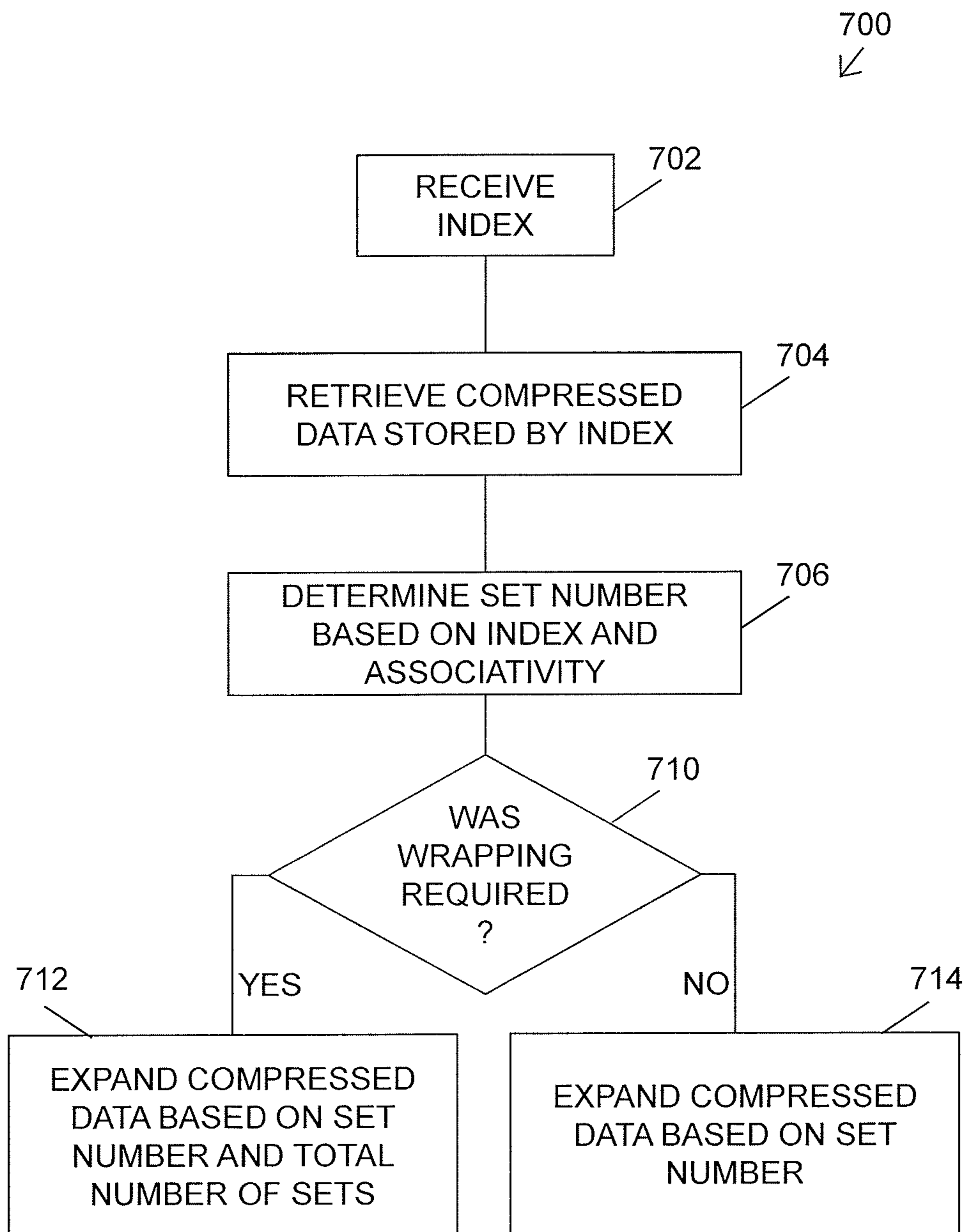


FIG. 6

FIG. 7



UNITED STATES PATENT AND TRADEMARK OFFICE
CERTIFICATE OF CORRECTION

PATENT NO. : D739,071 S
APPLICATION NO. : 29/463265
DATED : September 15, 2015
INVENTOR(S) : Adams

Page 1 of 9

It is certified that error appears in the above-identified patent and that said Letters Patent is hereby corrected as shown below:

Please delete Patent D739,071 in its entirety and insert Patent D739,071 in its entirety as shown on the attached pages

Signed and Sealed this
Seventh Day of June, 2016



Michelle K. Lee
Director of the United States Patent and Trademark Office

(12) **United States Design Patent** (10) **Patent No.:** **US D739,071 S**
Adams (45) **Date of Patent:** **** Sep. 15, 2015**

(54) **GEOMETRIC FORM FOR A LAMP BASE OR SIMILAR ARTICLE**

(71) Applicant: **Brian Michael Adams**, Bellbrook, OH (US)

(72) Inventor: **Brian Michael Adams**, Bellbrook, OH (US)

(73) Assignee: **Brian Michael Adams**, Bellbrook, OH (US)

(**) Term: **14 Years**

(21) Appl. No.: **29/463,265**

(22) Filed: **Sep. 24, 2013**

(51) **LOC (10) Cl.** **26-03**

(52) **U.S. Cl.**
 USPC **D26/110**

(58) **Field of Classification Search**
 USPC D26/1, 24, 93, 107, 110, 112
 CPC F21S 6/00; F21S 6/002; F21S 8/08;
 F21V 21/02; F21W 2131/30

See application file for complete search history.

(56) **References Cited**

U.S. PATENT DOCUMENTS

D155,340 S * 9/1949 Trisbie D26/93
 D156,364 S * 12/1949 Norton D26/93
 D203,861 S * 2/1966 Roman D26/107
 D614,799 S * 4/2010 Sabernig D26/93

* cited by examiner

Primary Examiner — Brian N Vinson

(74) *Attorney, Agent, or Firm* — Dinsmore & Shohl LLP

(57) **CLAIM**

The ornamental design for a geometric form for a lamp base or similar article, as shown and described.

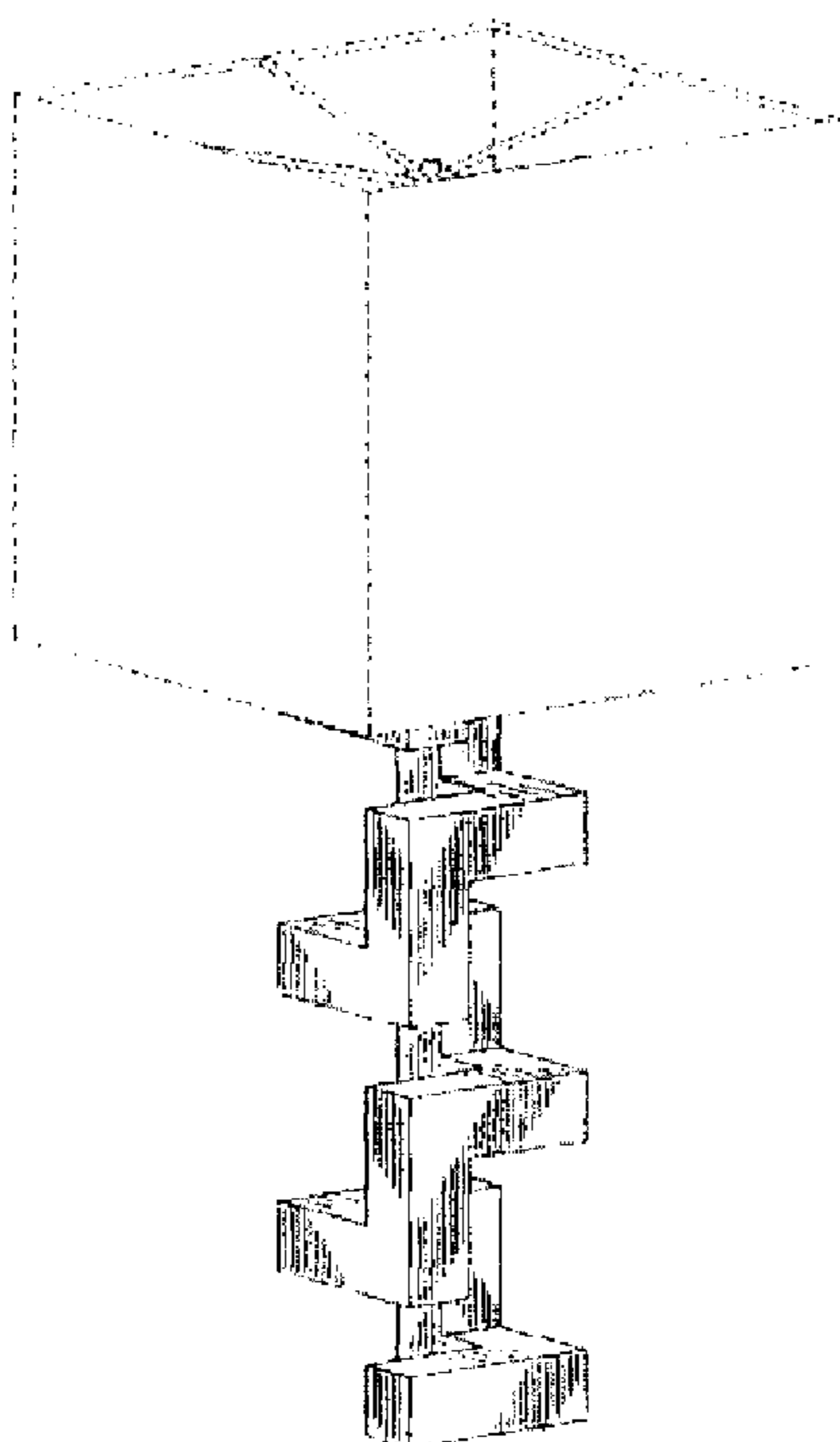
DESCRIPTION

FIG. 1 is a perspective view of a geometric form for a lamp base or similar article of my new design;
 FIG. 2 is a front view thereof;
 FIG. 3 is a left side view thereof;
 FIG. 4 is a back view thereof;
 FIG. 5 is a right side view thereof;
 FIG. 6 is a top view thereof, and,
 FIG. 7 is a bottom view thereof.

The dominant characteristics of the present geometric form for a lamp base or similar article shows a cubical spiral repeating pattern in a clockwise and/or counterclockwise direction which expresses positive/negative space in a counter balanced manner.

The broken lines shown in the figures are for illustrative purposes only and form no part of the claimed design.

1 Claim, 7 Drawing Sheets



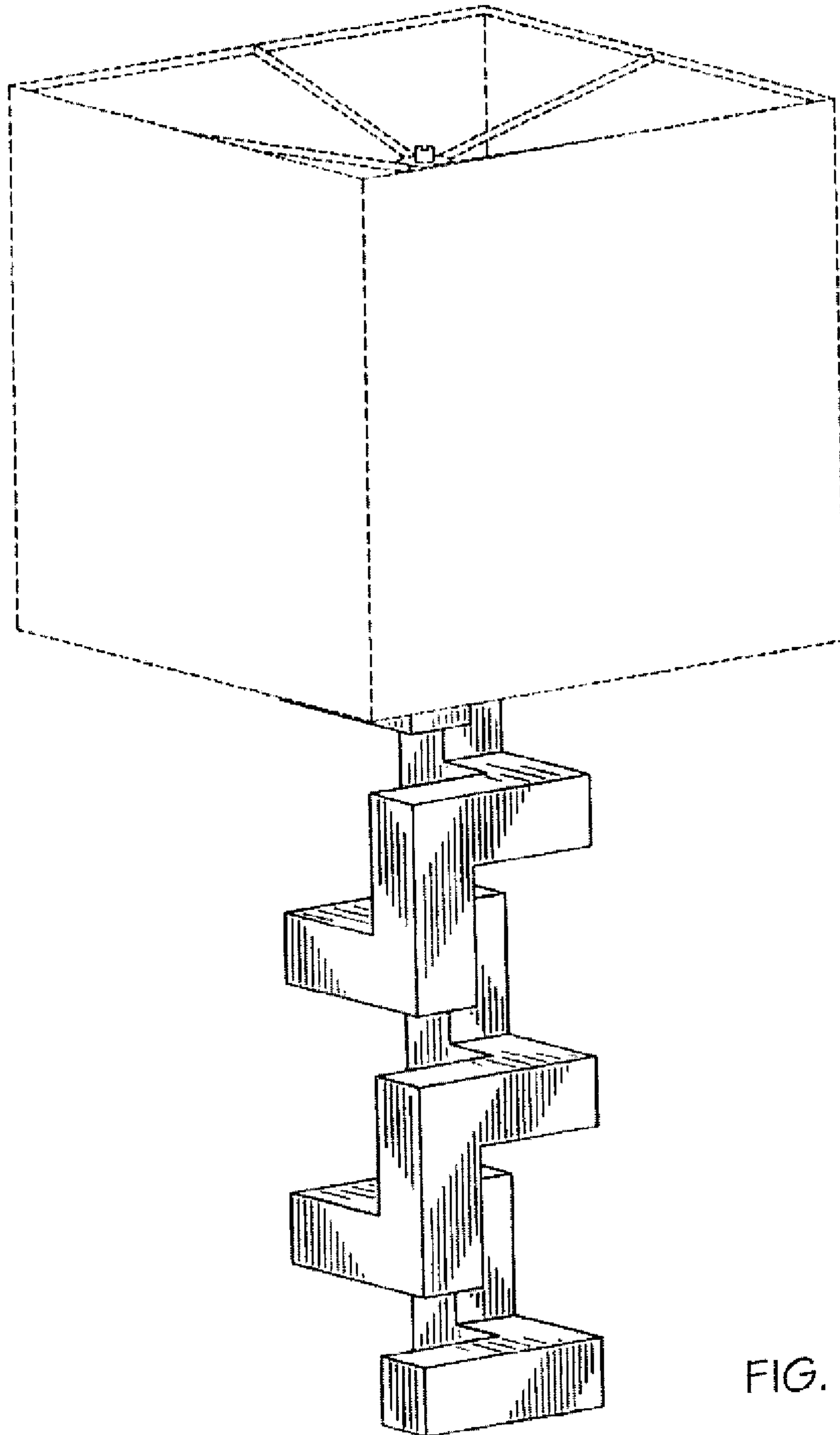


FIG. 1

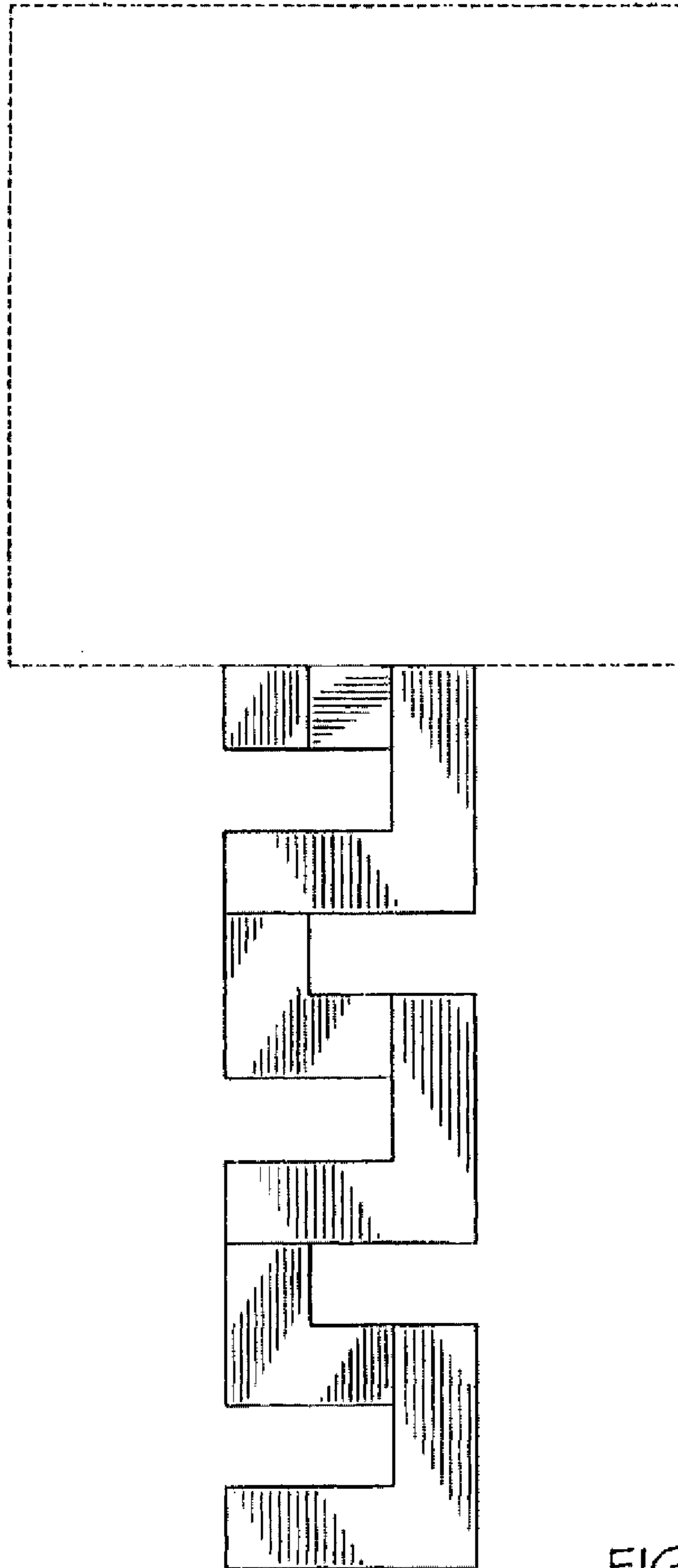


FIG. 2

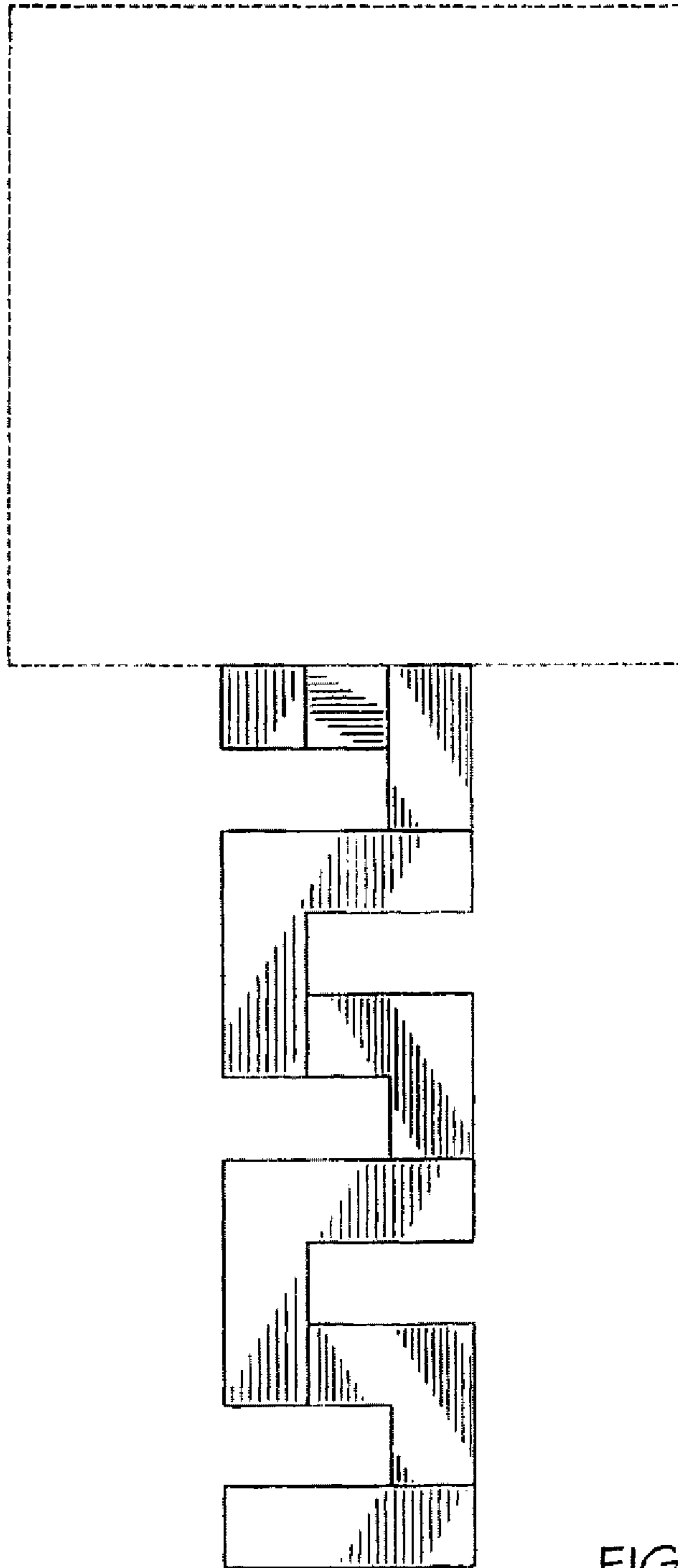


FIG. 3

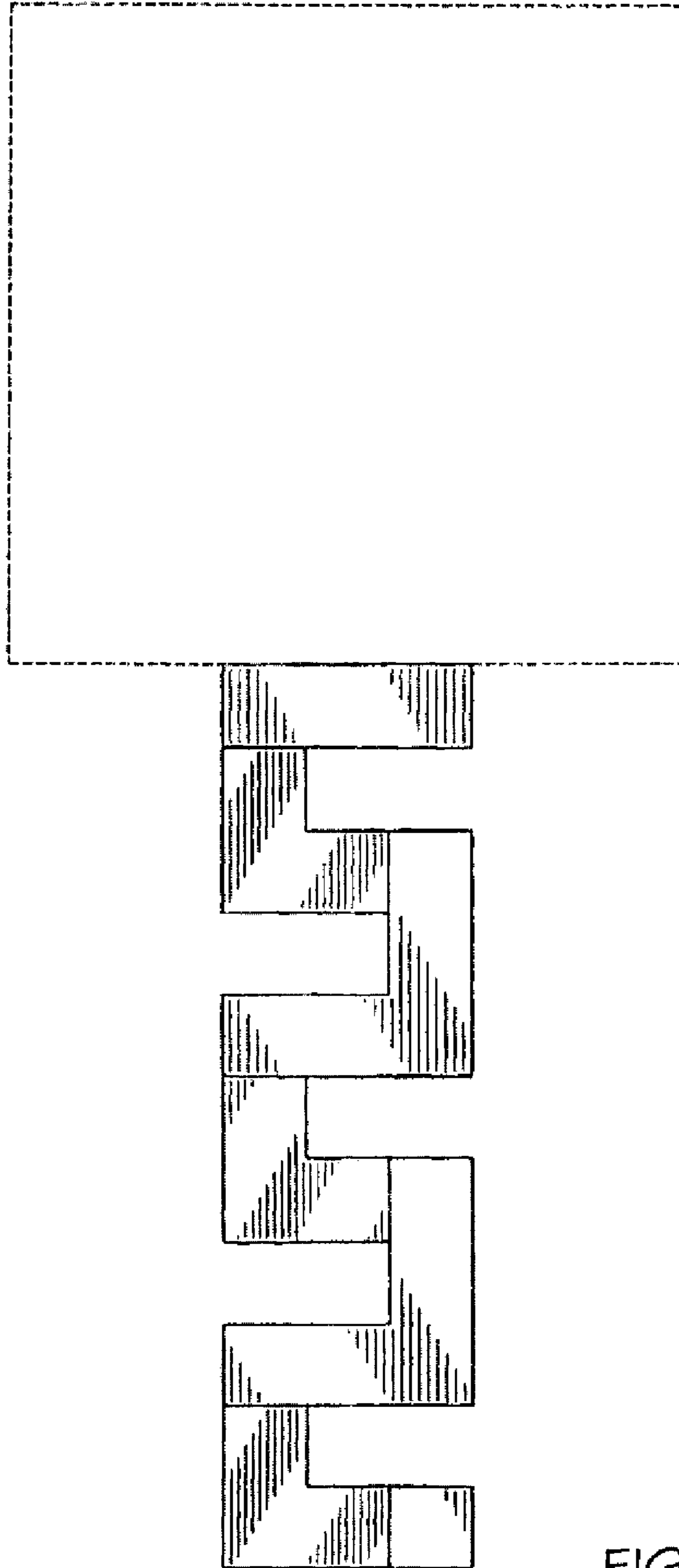


FIG. 4

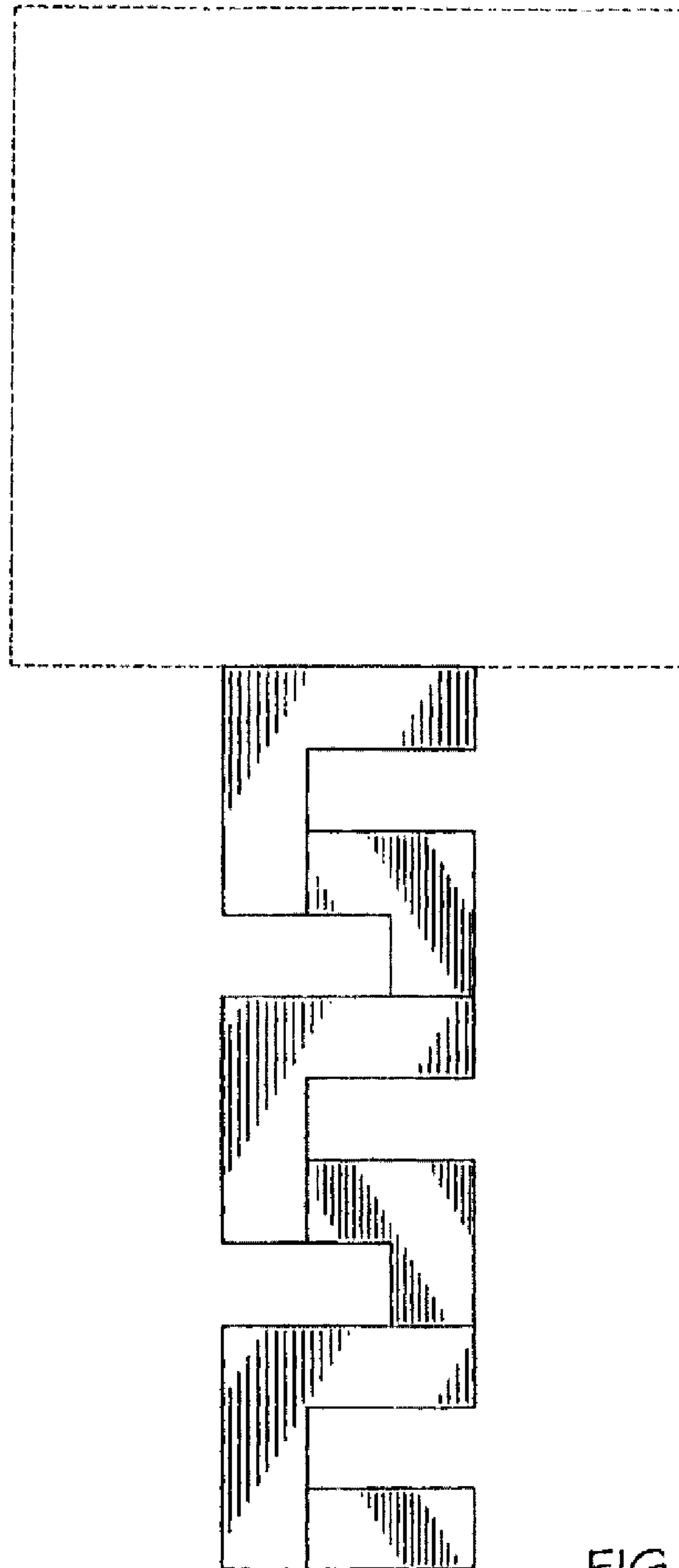


FIG. 5

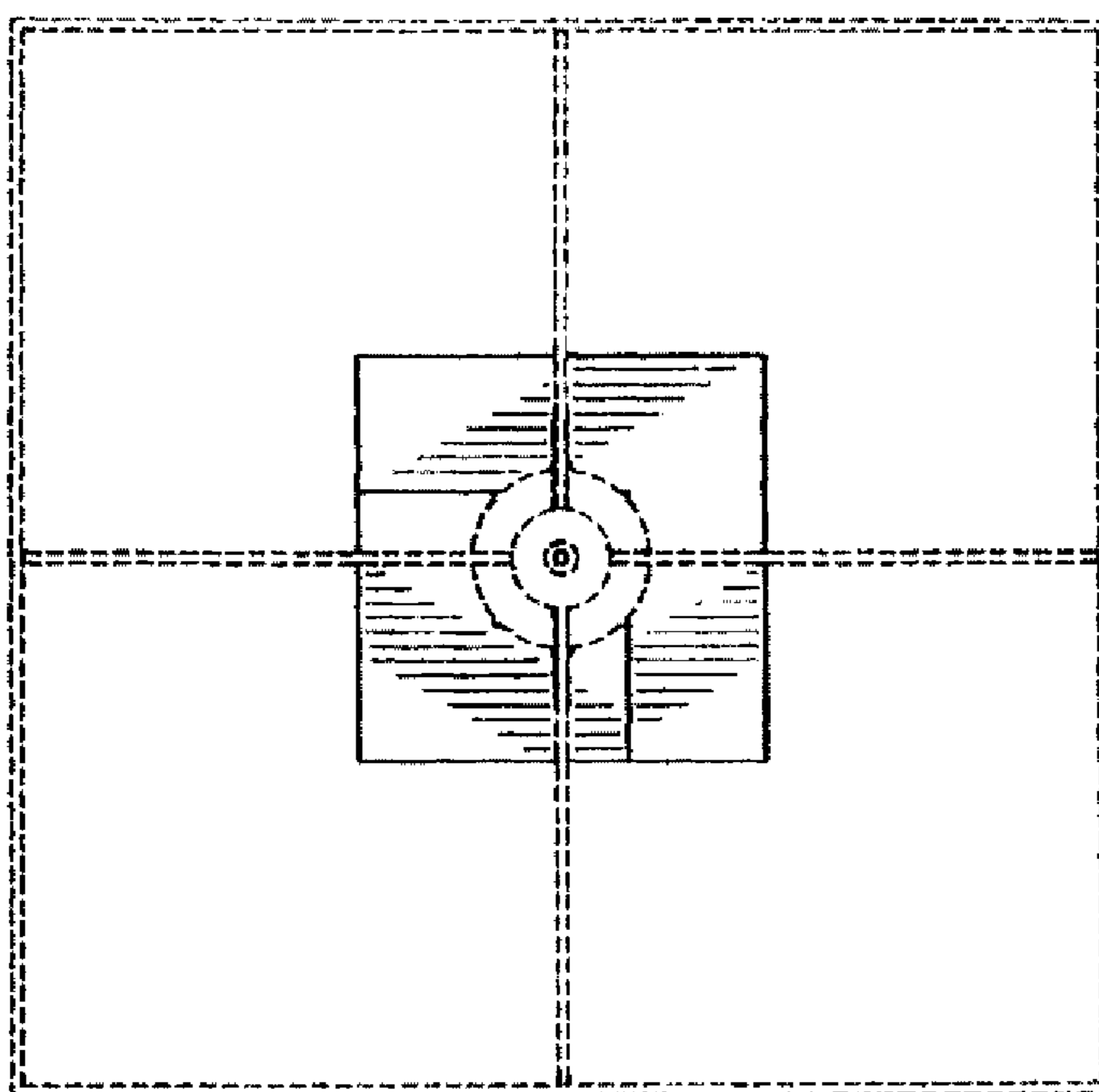


FIG. 6

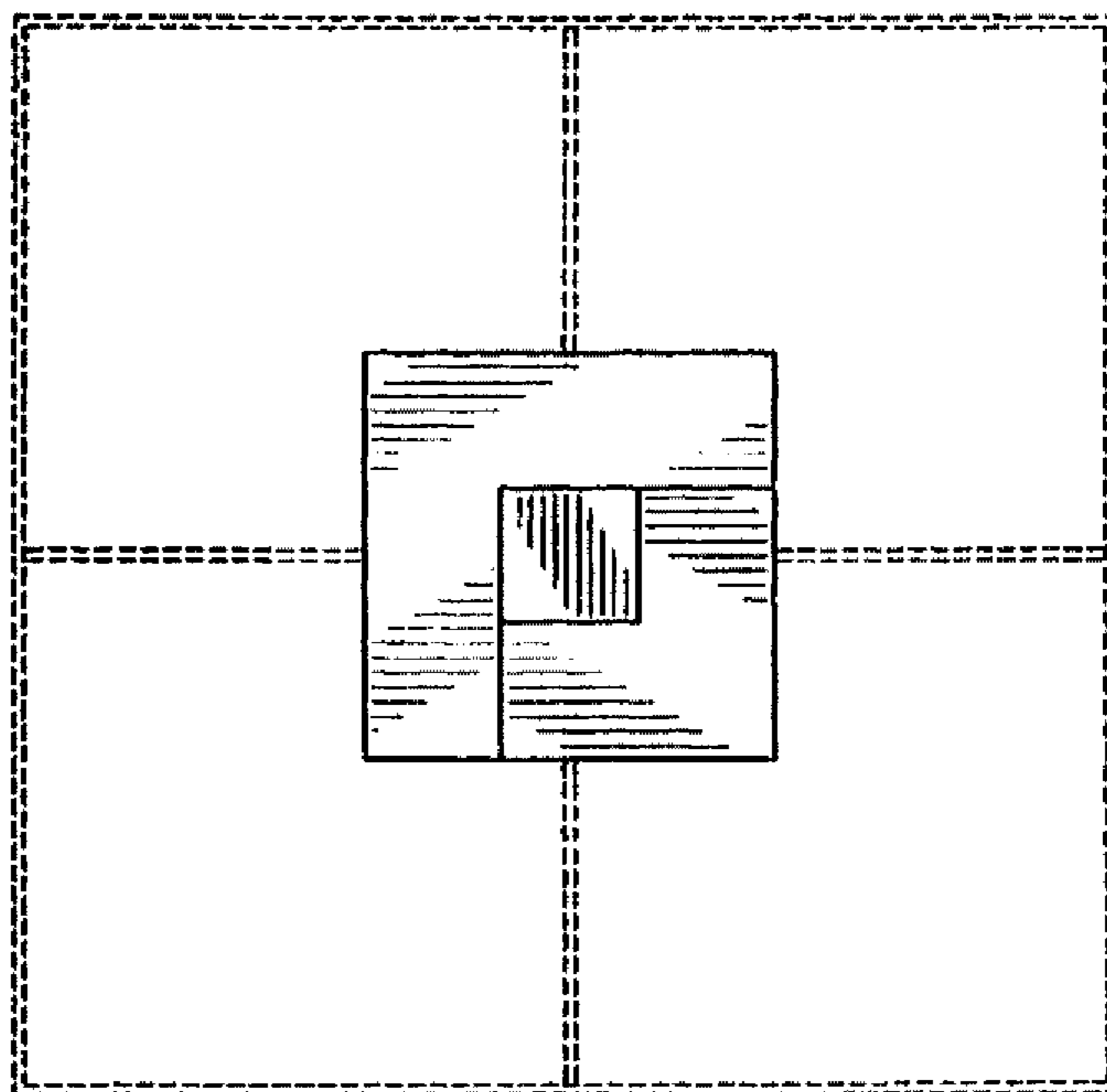


FIG. 7