



US00D739070S

(12) **United States Design Patent**  
**Wilson**

(10) **Patent No.:** **US D739,070 S**  
(45) **Date of Patent:** **\*\* Sep. 15, 2015**

(54) **TABLE LAMP**

(71) Applicant: **Artemide S.p.A.**, Milan (IT)

(72) Inventor: **Scott Wilson**, Milan (IT)

(73) Assignee: **ARTEMIDE S.p.A.**, Milan (IT)

(\*\*) Term: **14 Years**

(21) Appl. No.: **29/469,861**

(22) Filed: **Oct. 15, 2013**

(30) **Foreign Application Priority Data**

Apr. 15, 2013 (EM) ..... 002220640-0003

(51) **LOC (10) Cl.** ..... **26-03**

(52) **U.S. Cl.**  
USPC ..... **D26/104**

(58) **Field of Classification Search**  
USPC ..... D26/88, 93, 104–106, 108, 110, 112  
CPC ..... F21S 6/002; F21S 6/004; F21S 6/005;  
F21S 6/006; F21S 6/007; F21S 6/008  
See application file for complete search history.

(56) **References Cited**

**U.S. PATENT DOCUMENTS**

D174,946 S *	6/1955	Clemens	.....	D26/110
D204,899 S *	5/1966	Curry	.....	D26/105
3,733,482 A *	5/1973	Miller et al.	.....	362/216
D240,761 S *	7/1976	Medford et al.	.....	D26/106
D244,875 S *	6/1977	Baca	.....	D26/105
D356,179 S *	3/1995	Benghozi	.....	D26/110

D423,709 S *	4/2000	Jann	.....	D26/110
D431,315 S *	9/2000	Sekine et al.	.....	D26/93
D468,854 S *	1/2003	Chen	.....	D26/93
D580,090 S *	11/2008	Kubler	.....	D26/105
D589,205 S *	3/2009	Sabernig	.....	D26/104
D606,236 S *	12/2009	Sabernig	.....	D26/93
D617,039 S *	6/2010	Sabernig	.....	D26/104
D647,242 S *	10/2011	Staples	.....	D26/93
D658,804 S *	5/2012	Starck	.....	D26/93
D659,889 S *	5/2012	Sabernig	.....	D26/93
8,291,628 B2 *	10/2012	Acworth	.....	40/554
8,794,815 B2 *	8/2014	Hsien	.....	362/649
8,931,192 B2 *	1/2015	Acworth et al.	.....	40/554

\* cited by examiner

*Primary Examiner* — Clare E Heflin

(74) *Attorney, Agent, or Firm* — Venable LLP; Robert Kinberg

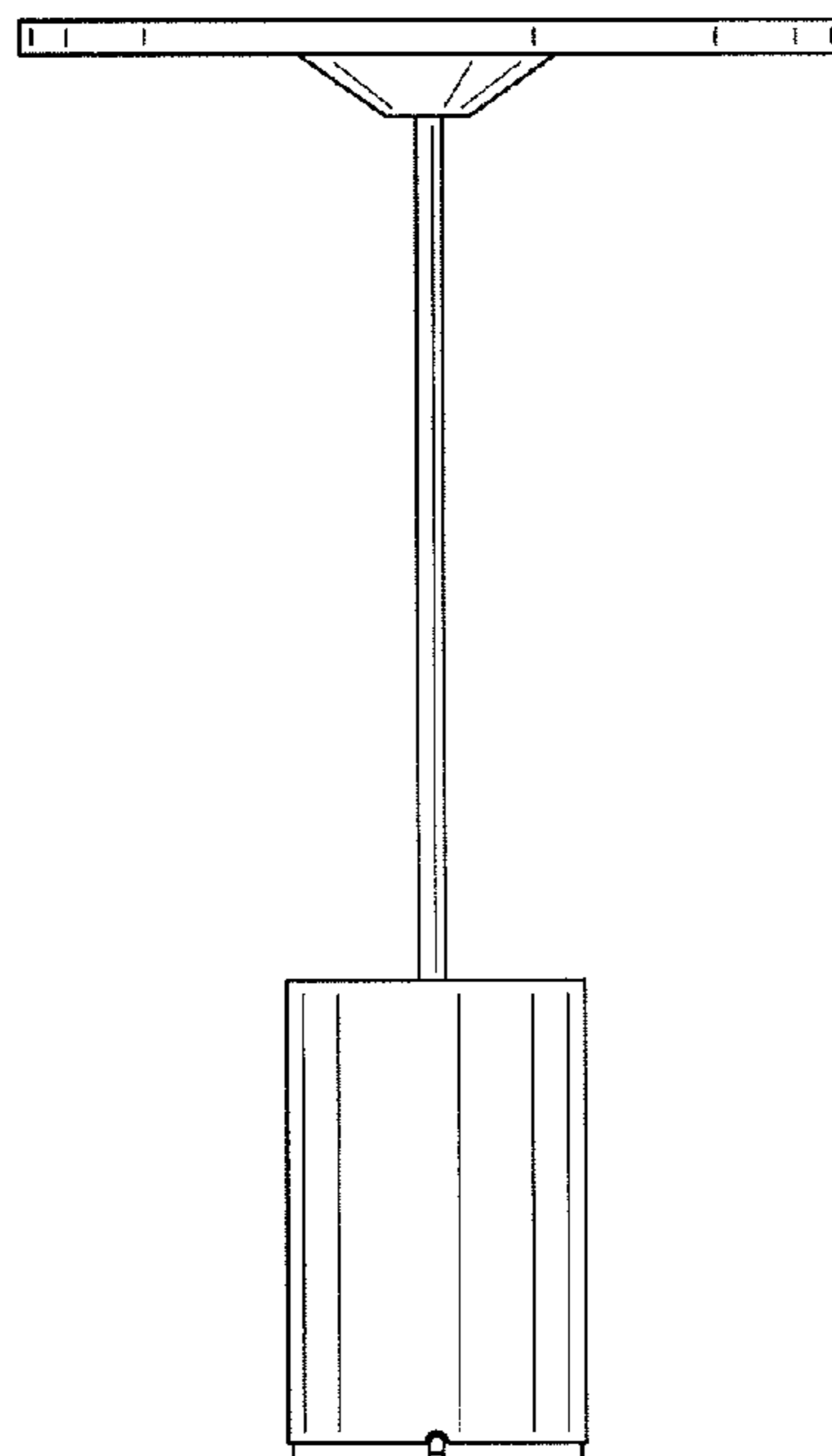
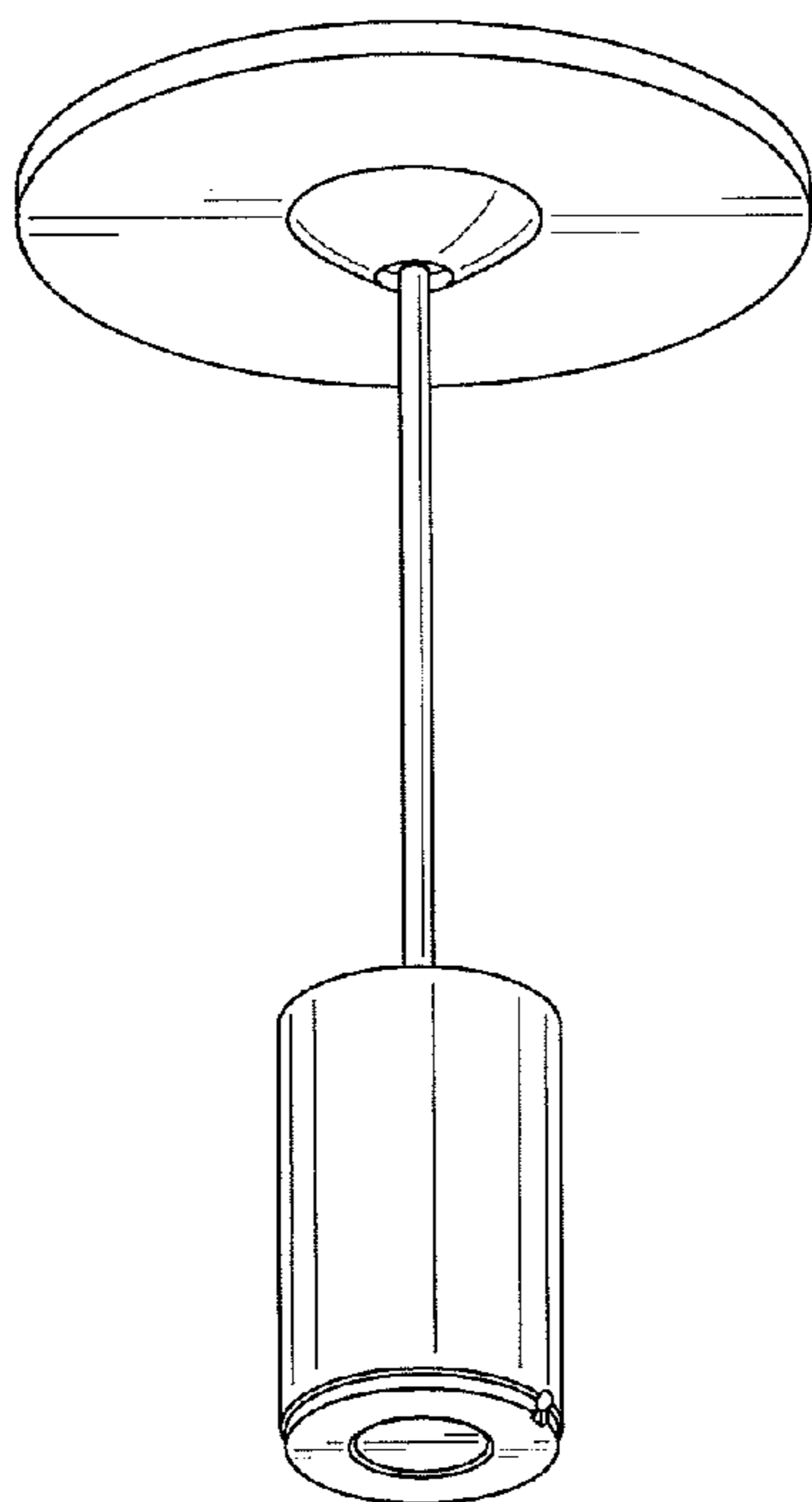
(57) **CLAIM**

I claim the ornamental design for a table lamp, as shown and described.

**DESCRIPTION**

FIG. 1 is a perspective view of a table lamp, according to the invention;  
FIG. 2 is a front view of a table lamp, according to FIG. 1;  
FIG. 3 is a rear view of a table lamp, according to FIG. 1;  
FIG. 4 is a side view of a table lamp, according to FIG. 1;  
FIG. 5 is an opposite side view of a table lamp, according to FIG. 1;  
FIG. 6 is a top view of a table lamp, according to FIG. 1; and,  
FIG. 7 is a bottom view of a table lamp, according to FIG. 1.

**1 Claim, 7 Drawing Sheets**



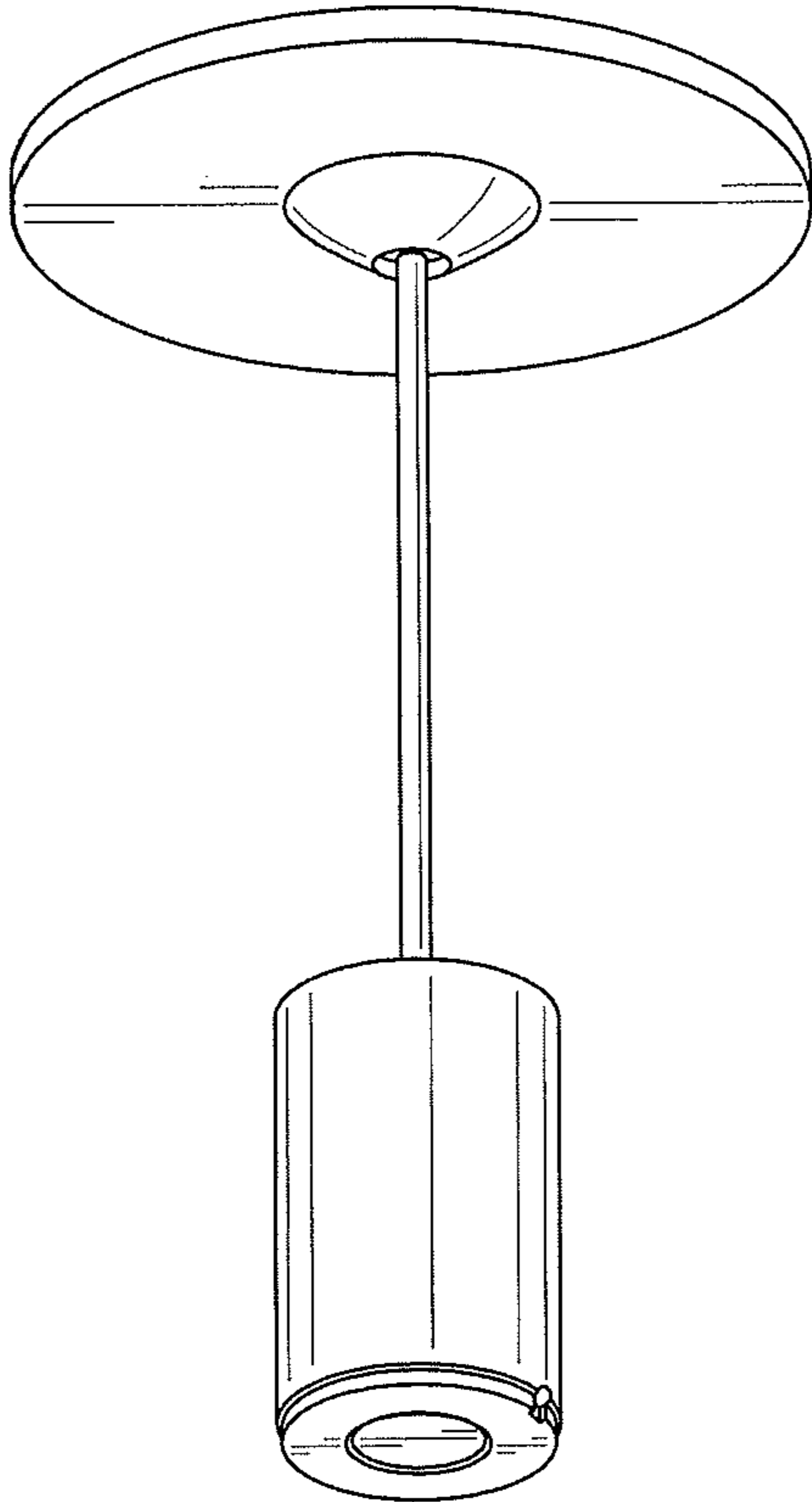


FIG. 1

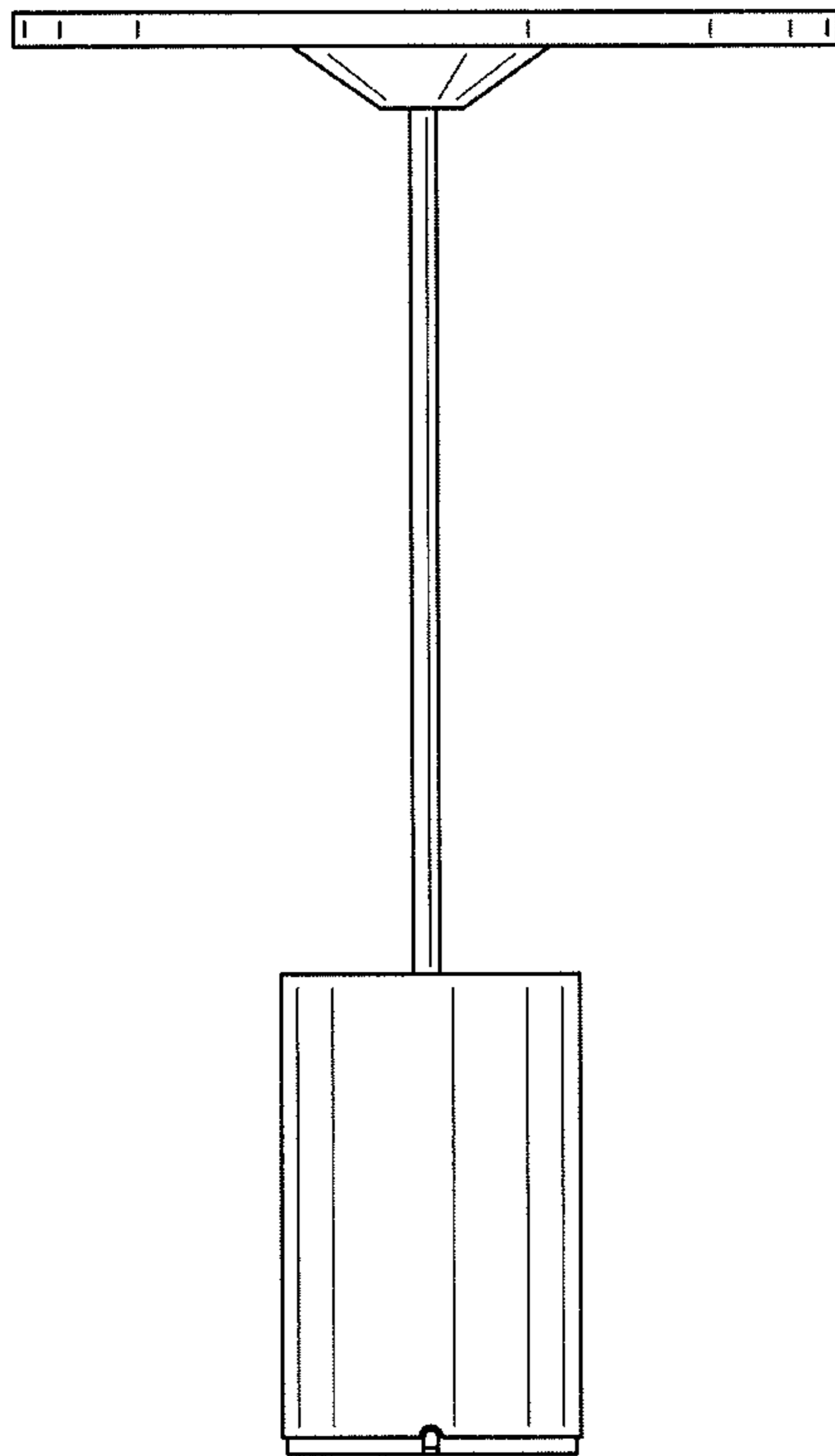


FIG. 2

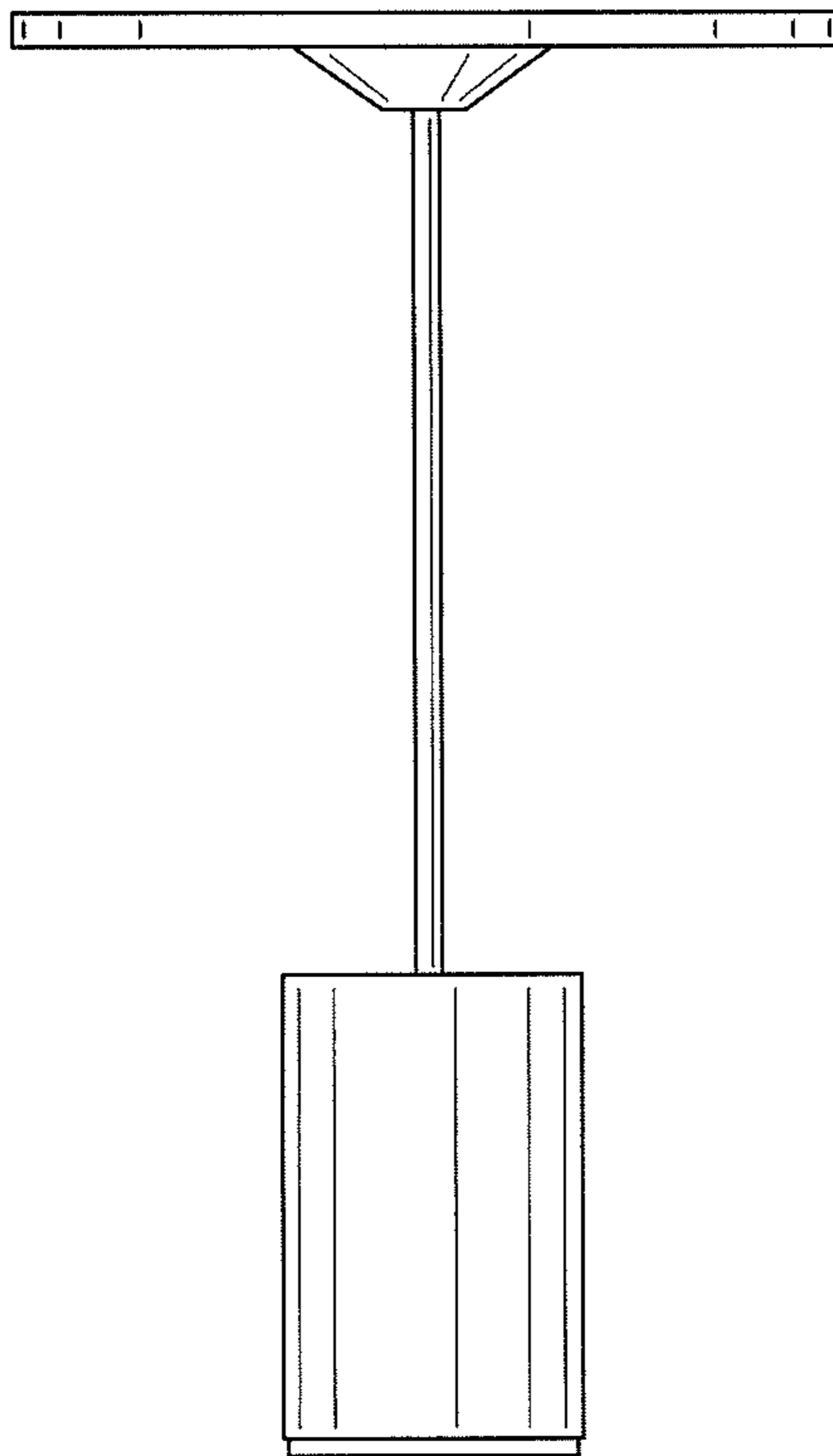


FIG. 3

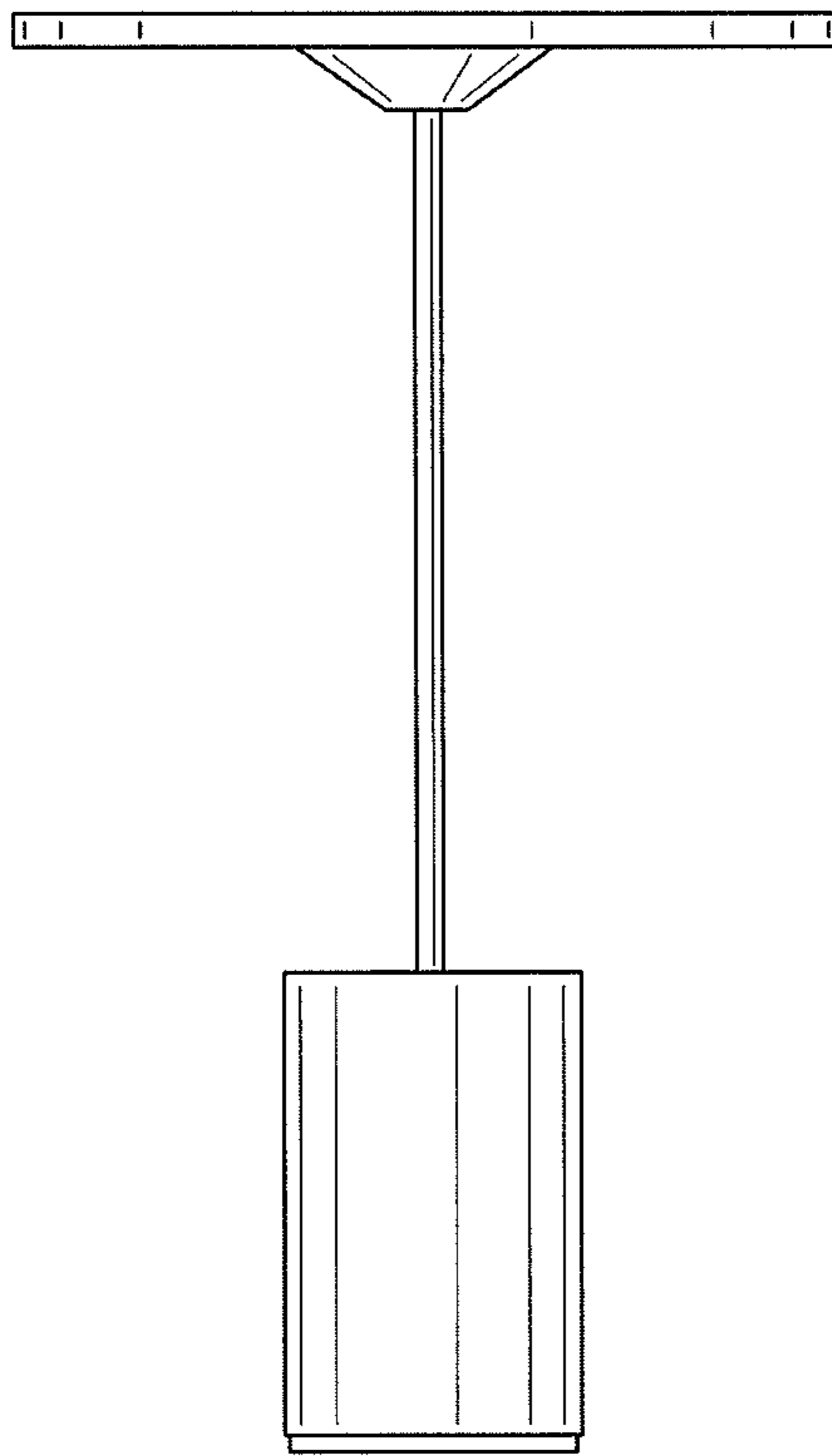


FIG. 4

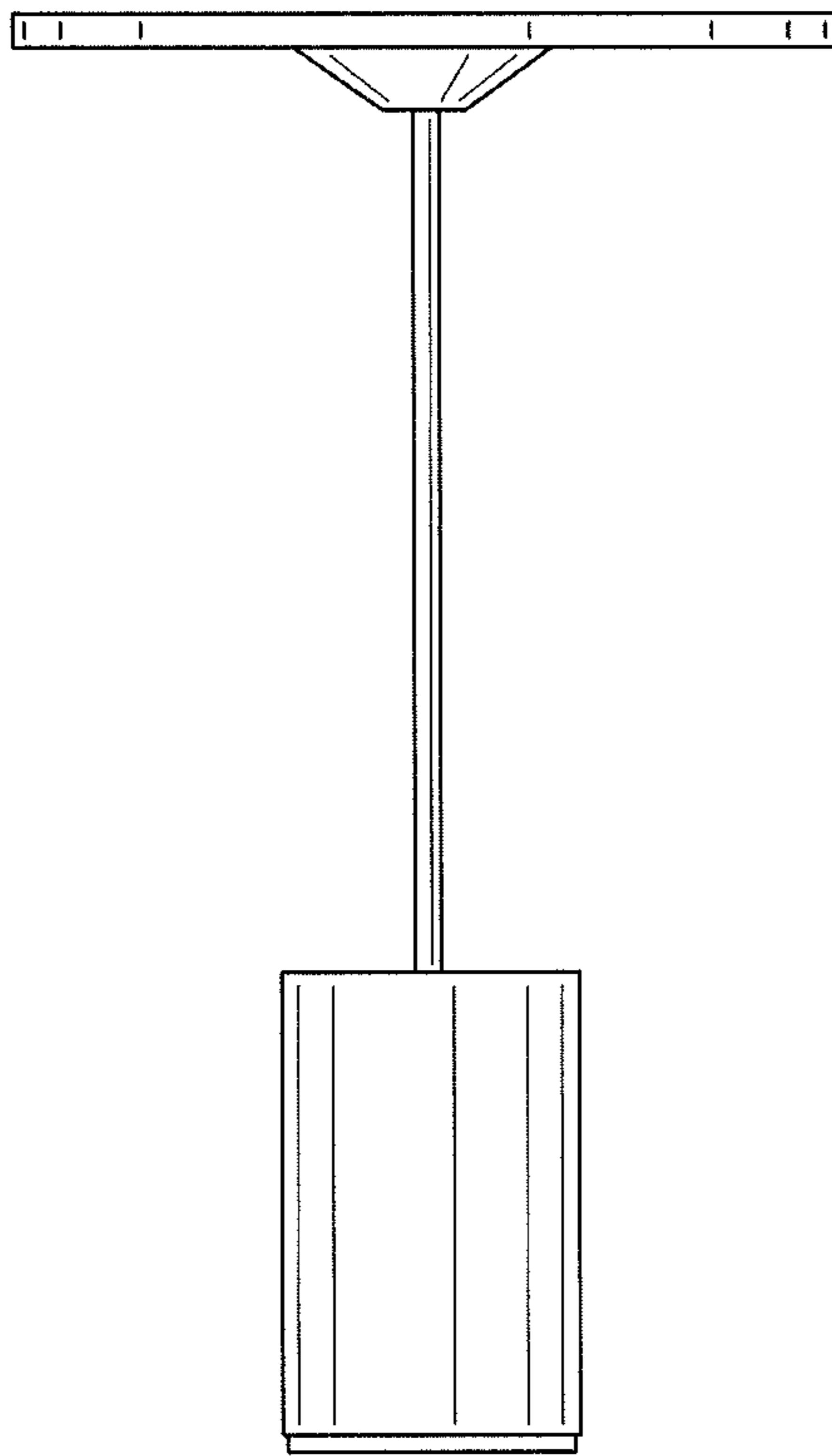


FIG. 5

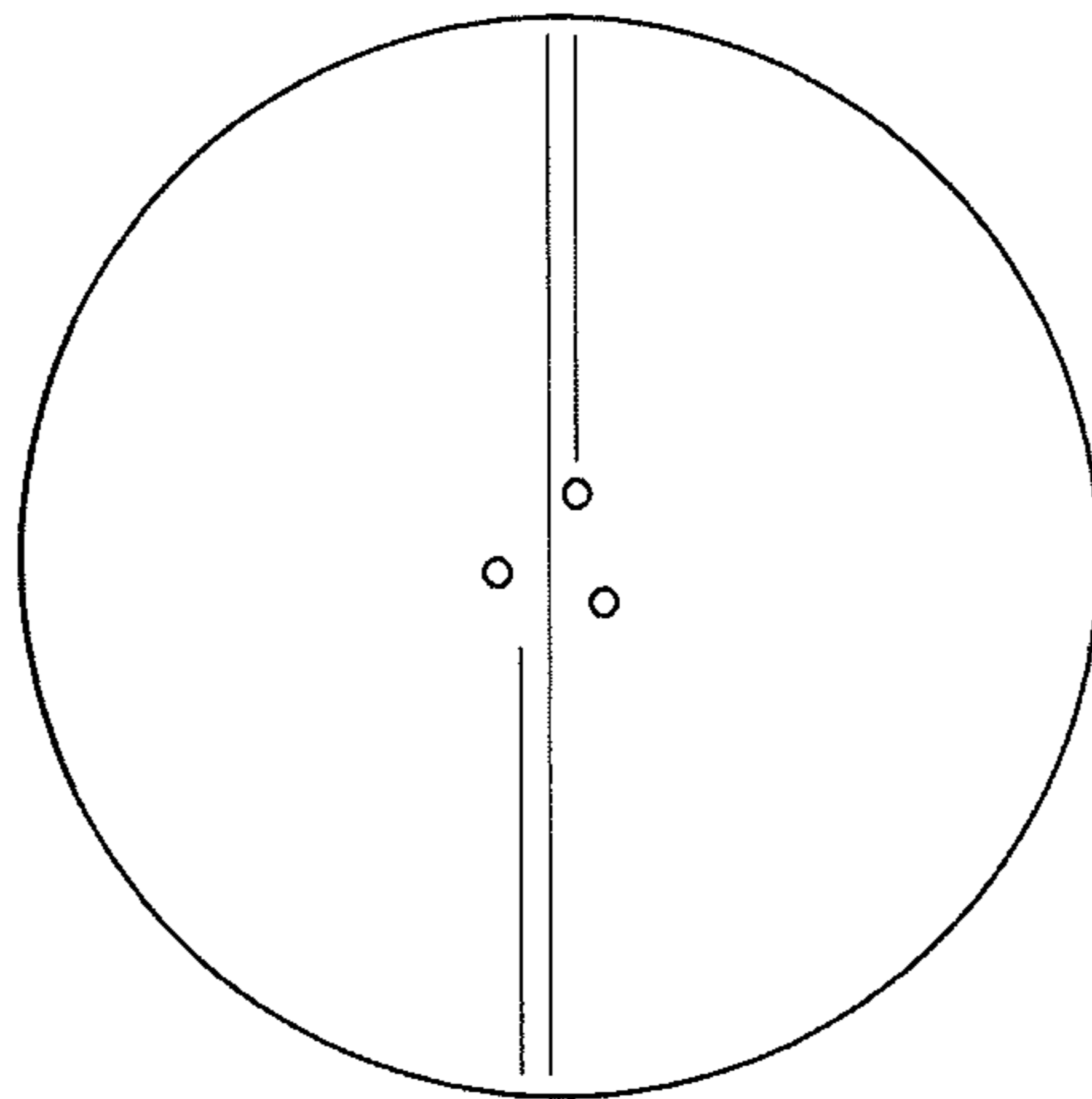


FIG. 6

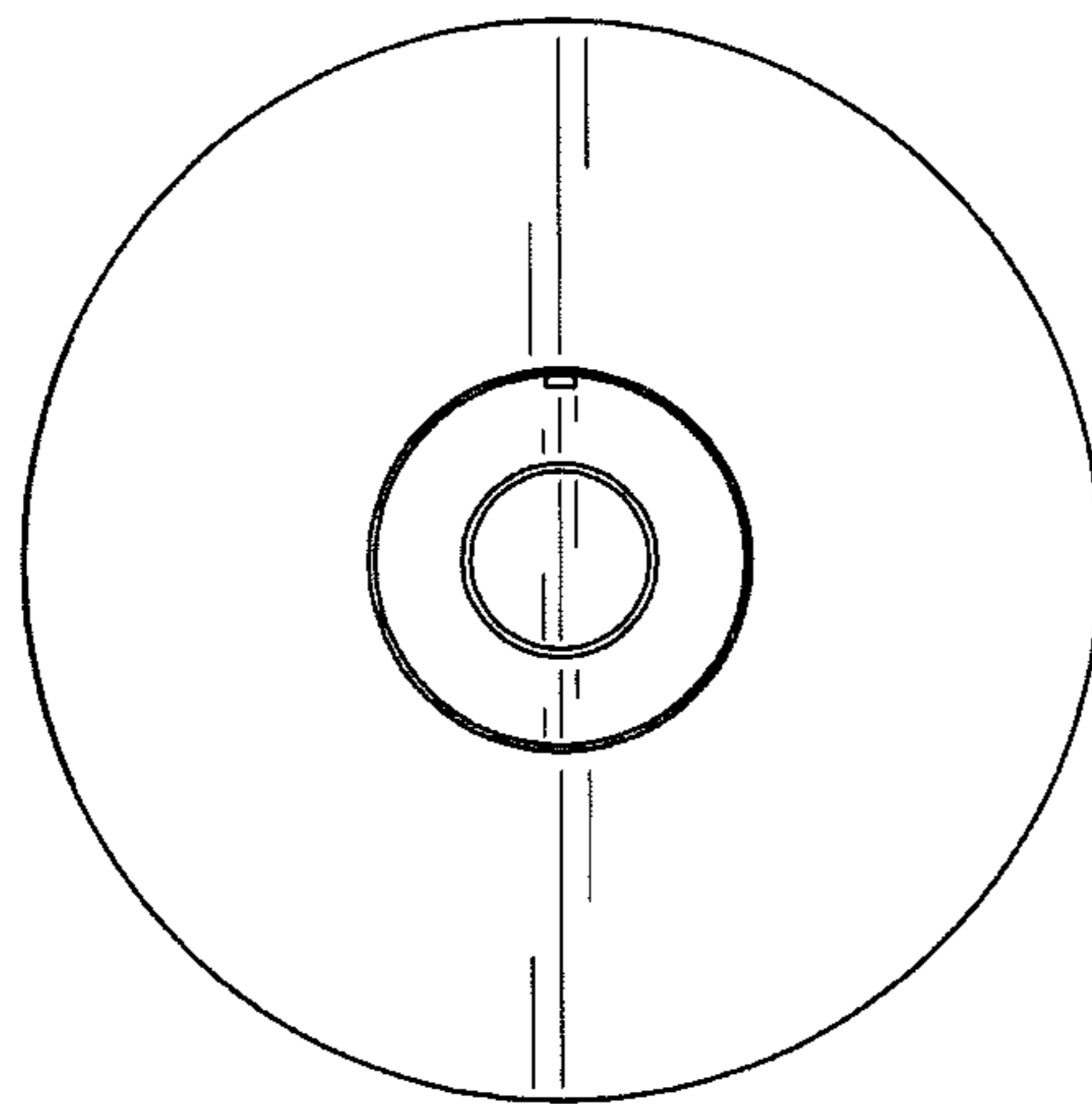


FIG. 7