



US00D739069S

(12) **United States Design Patent**
Bologeorges

(10) **Patent No.:** **US D739,069 S**

(45) **Date of Patent:** **** Sep. 15, 2015**

(54) **CANDLE ARRAY**

(71) Applicant: **Smart Solar Inc.**, Libertyville, IL (US)

(72) Inventor: **James P. Bologeorges**, Libertyville, IL (US)

(73) Assignee: **Smart Solar Inc.**, Libertyville, IL (US)

(**) Term: **14 Years**

(21) Appl. No.: **29/471,325**

(22) Filed: **Oct. 30, 2013**

(51) **LOC (10) Cl.** **26-03**

(52) **U.S. Cl.**

USPC **D26/96**; D26/13

(58) **Field of Classification Search**

USPC D26/5, 6, 13, 15, 73, 93-112, 142;
362/392, 810, 161

CPC F21S 6/001; F21S 6/002; F21S 8/06

See application file for complete search history.

(56) **References Cited**

U.S. PATENT DOCUMENTS

D55,793 S *	7/1920	Irwin	D26/93
1,975,522 A *	10/1934	Swobe	431/295
D197,855 S *	3/1964	Bieger	D26/15
3,753,643 A *	8/1973	Golden	431/126
D346,038 S *	4/1994	Buttermann	D26/6
D406,379 S *	3/1999	Andrews	D26/96
D474,853 S *	5/2003	Wu	D26/94
D488,582 S *	4/2004	Connelly et al.	D26/96
D490,169 S *	5/2004	Lustig	D26/13
D497,015 S *	10/2004	Mader	D26/15
7,261,455 B2 *	8/2007	Schnuckle et al.	362/569
7,387,411 B1 *	6/2008	Tsai	362/392

D610,279 S *	2/2010	Bolanos	D26/13
D632,002 S *	2/2011	Dye	D26/73
7,997,772 B2 *	8/2011	Avtzon et al.	362/392
8,070,319 B2 *	12/2011	Schnuckle et al.	362/249.02
D660,995 S *	5/2012	Wens	D26/13
8,371,740 B2 *	2/2013	Pestl et al.	362/643
8,579,461 B2 *	11/2013	Fournier et al.	362/183
8,628,208 B1 *	1/2014	Yang	362/161
8,789,986 B2 *	7/2014	Li	362/393
8,840,281 B2 *	9/2014	Chartrand	362/360
8,894,261 B2 *	11/2014	Chen	362/569
8,960,975 B2 *	2/2015	Yang	362/392

* cited by examiner

Primary Examiner — Clare E Heflin

(74) *Attorney, Agent, or Firm* — McDonnell Boehnen Hulbert & Berghoff LLP.

(57) **CLAIM**

The ornamental design for a candle array, as shown and described.

DESCRIPTION

FIG. 1 is a perspective top view of a candle array having the inventive design;

FIG. 2 is a front side view of the candle array shown in FIG. 1;

FIG. 3 is a back side view of the candle array shown in FIG. 1;

FIG. 4 is a left side view of the candle array shown in FIG. 1;

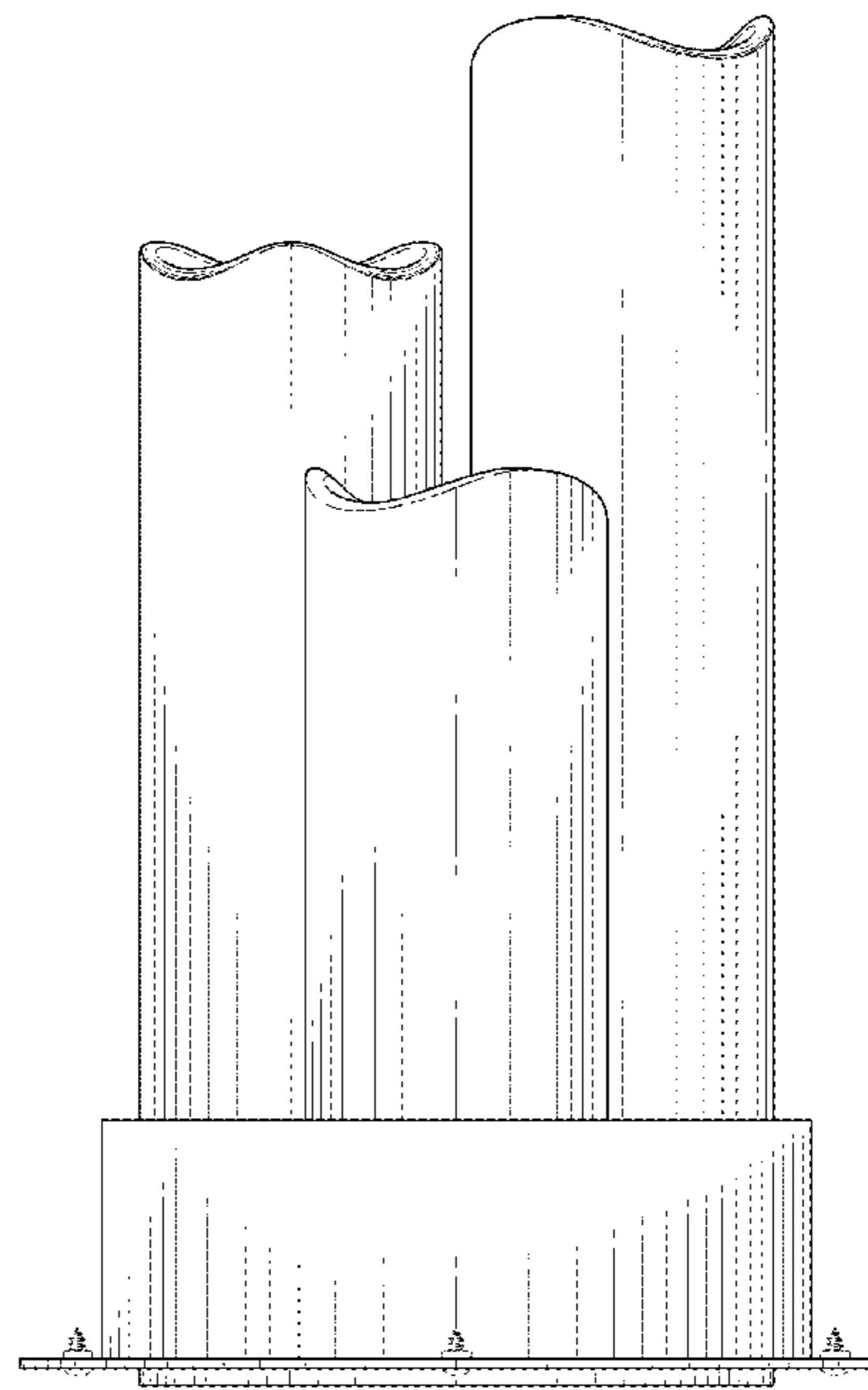
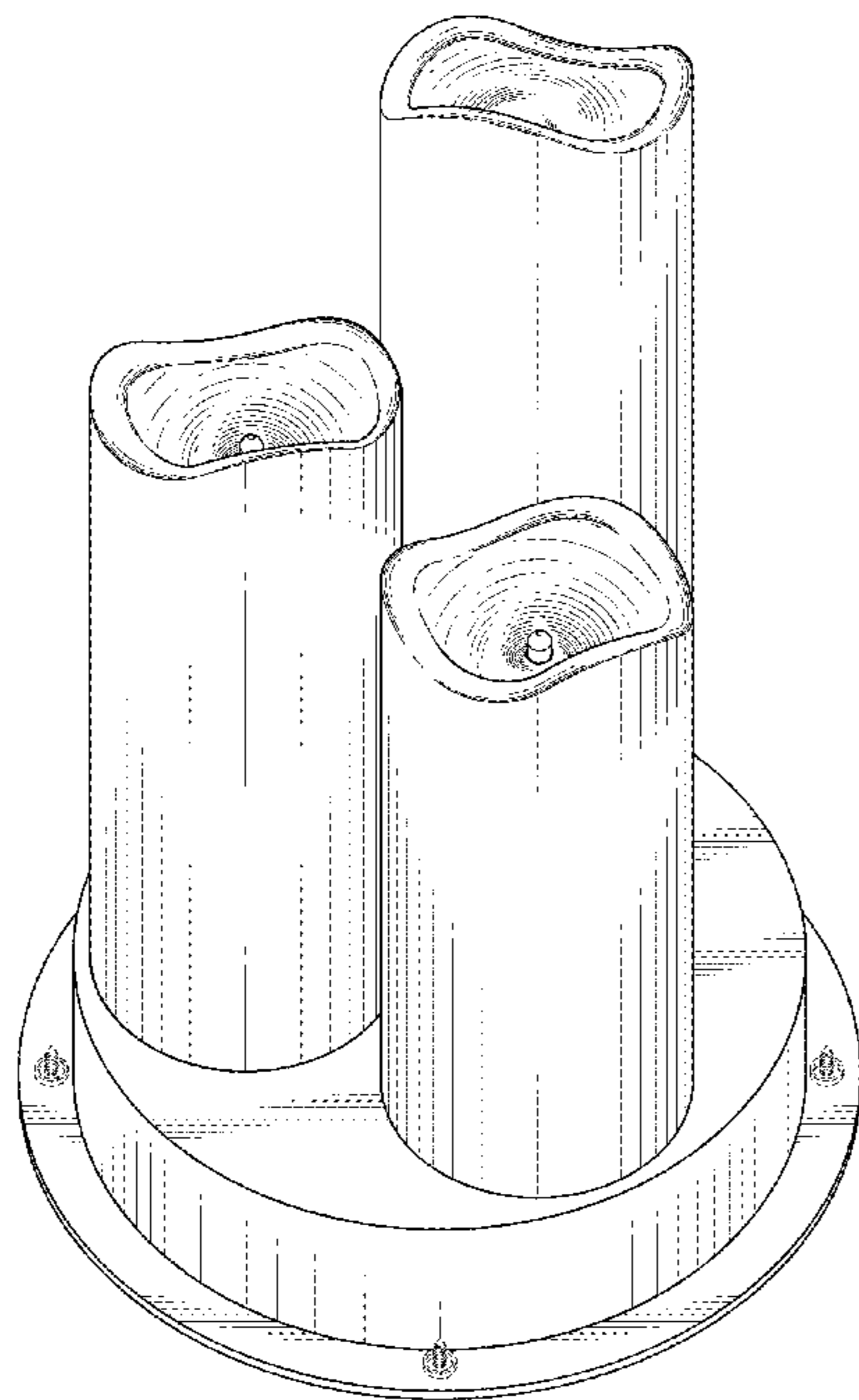
FIG. 5 is a right side view of the candle array shown in FIG. 1;

FIG. 6 is a top view of the candle array shown in FIG. 1; and,

FIG. 7 is a bottom view of the candle array shown in FIG. 1.

The broken lines shown on the drawings depict portions of the candle array that form no part of the claimed design.

1 Claim, 7 Drawing Sheets



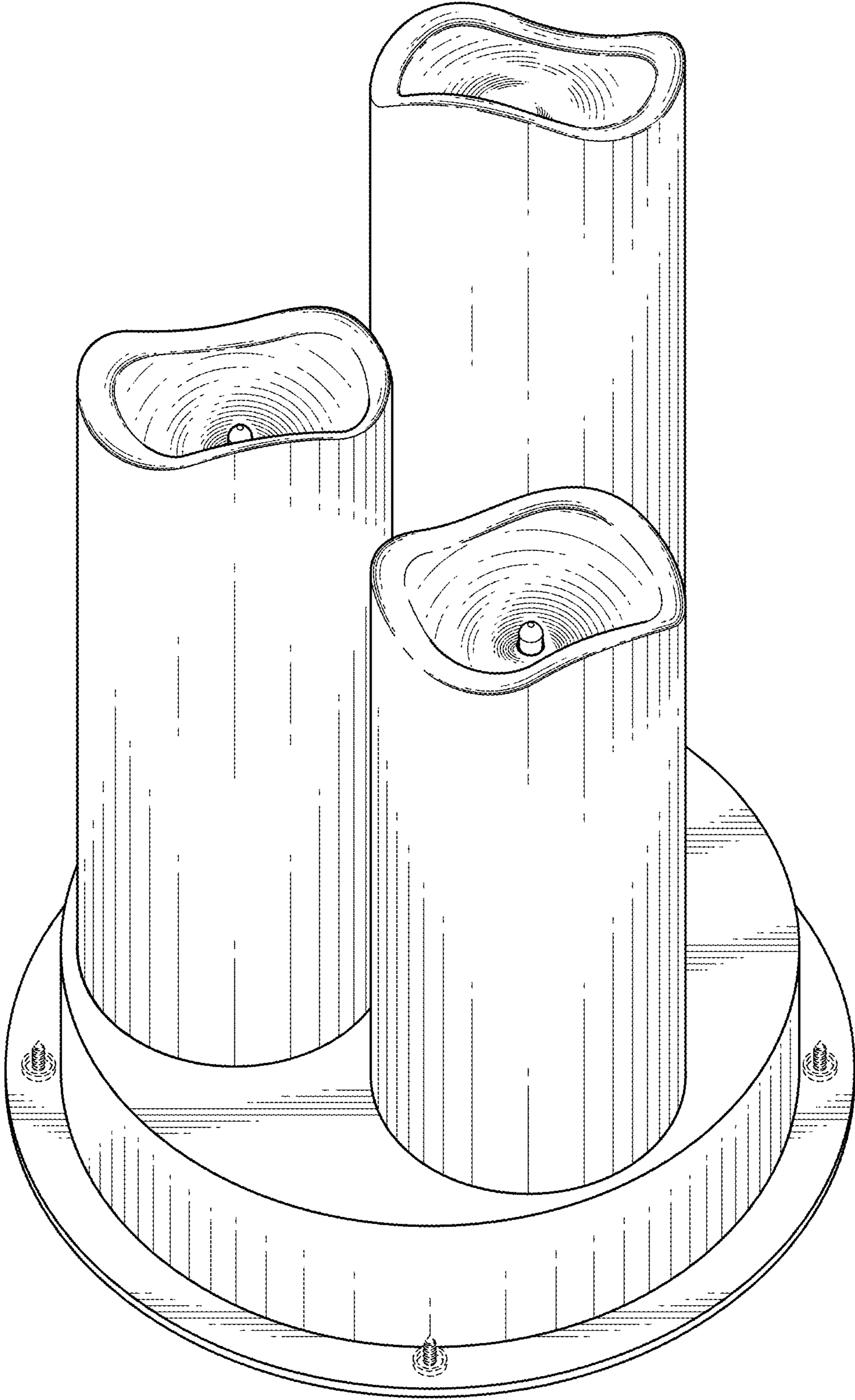


FIG. 1

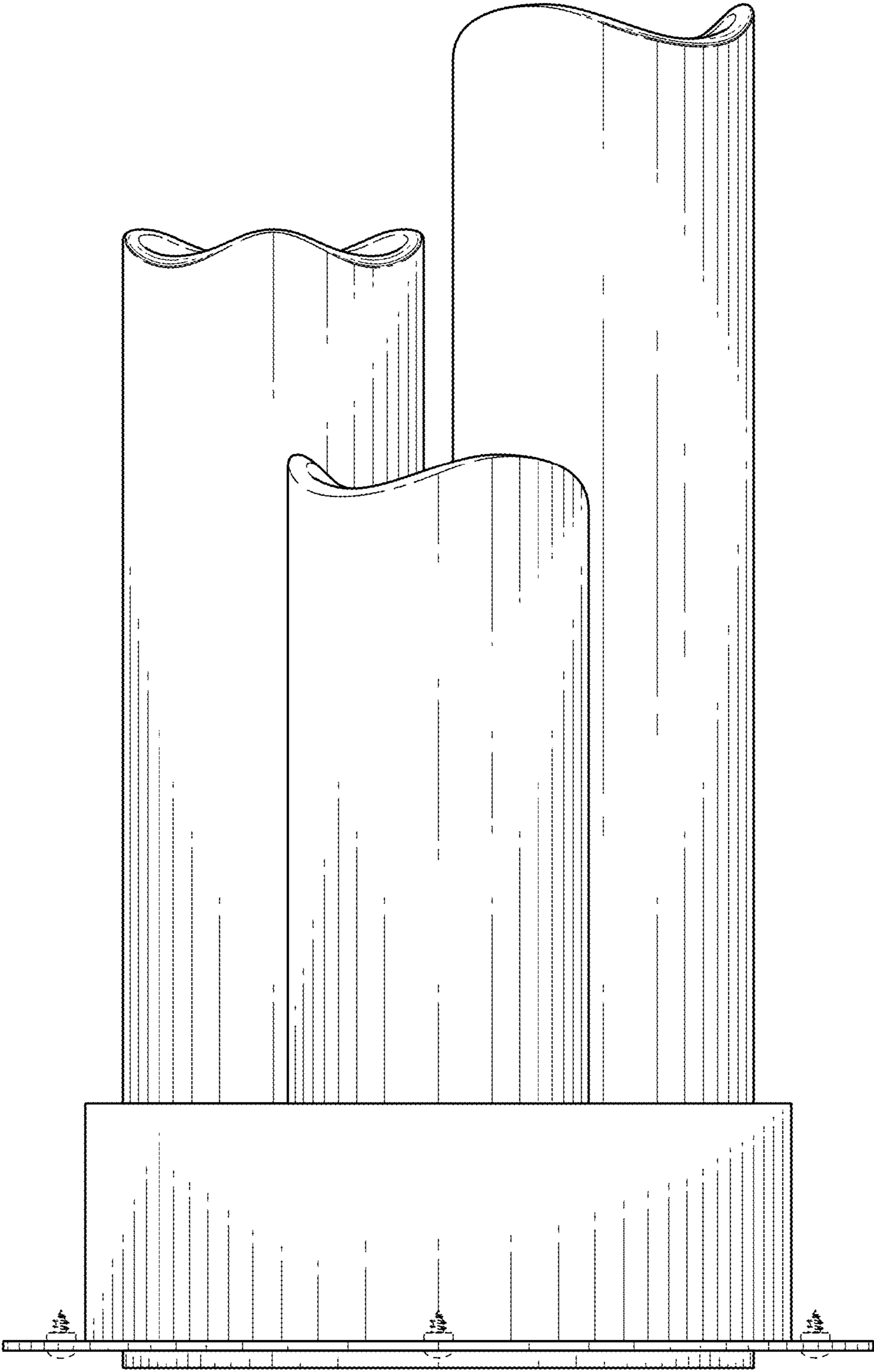


FIG. 2

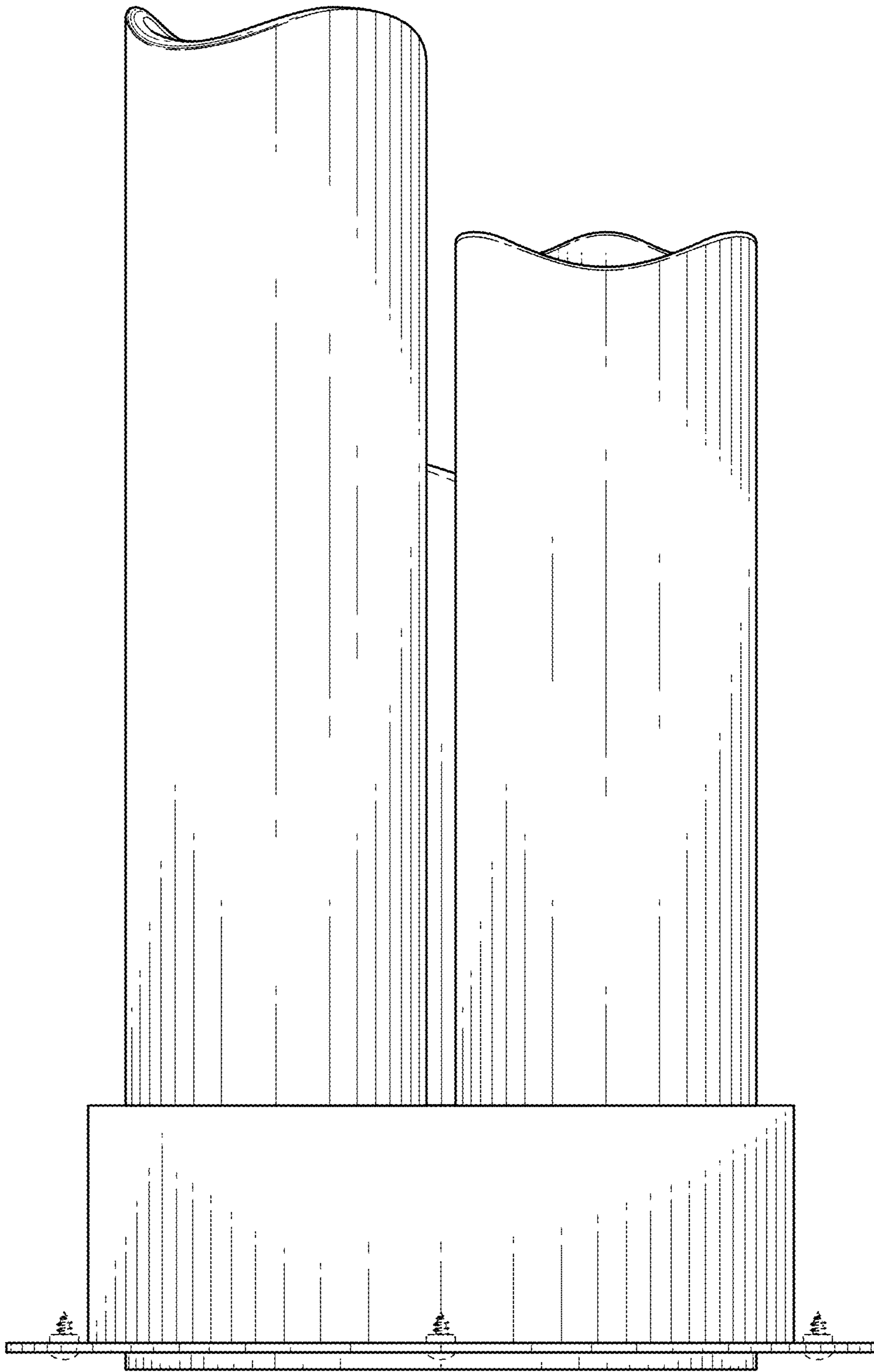


FIG. 3

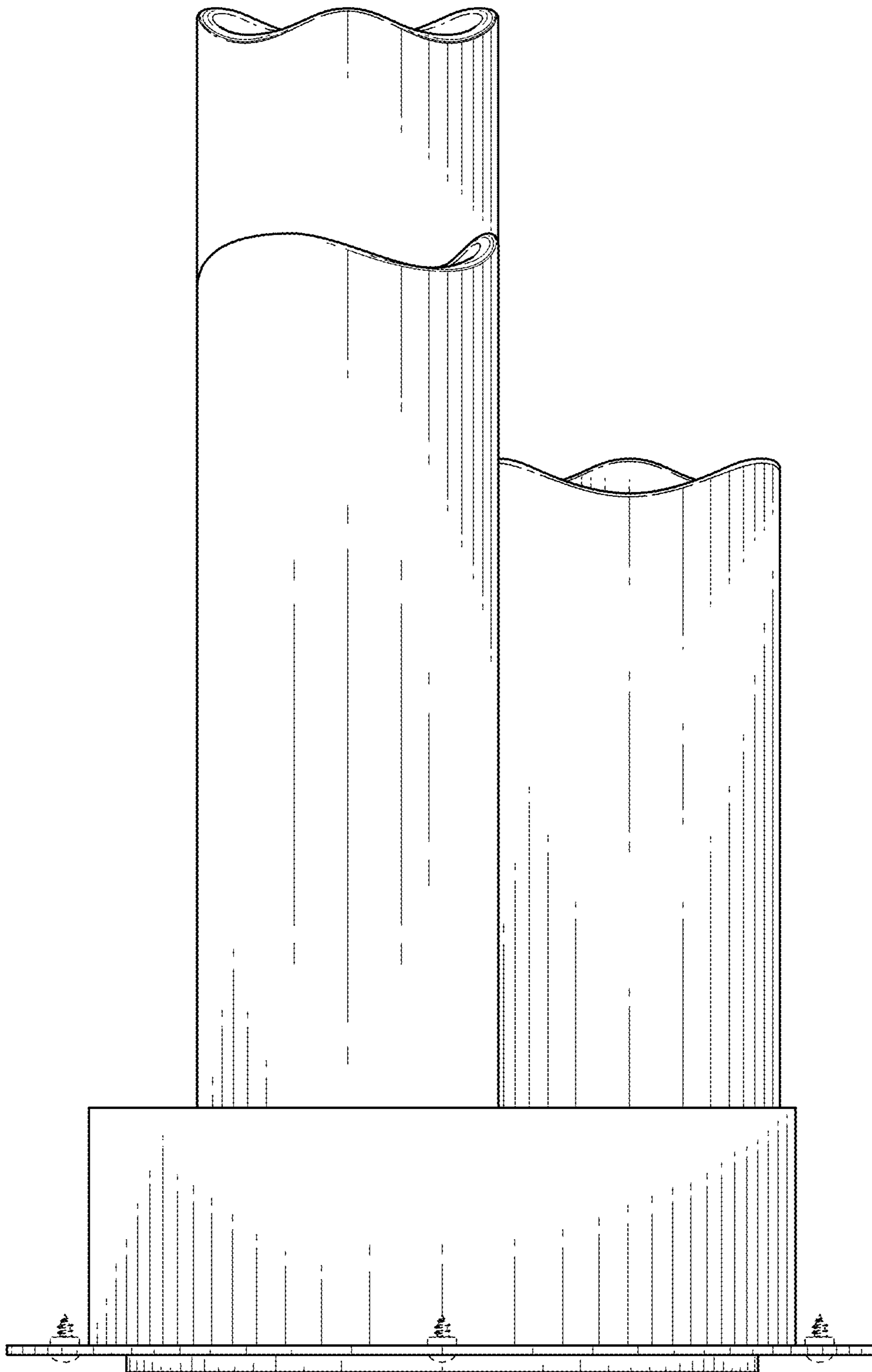


FIG. 4

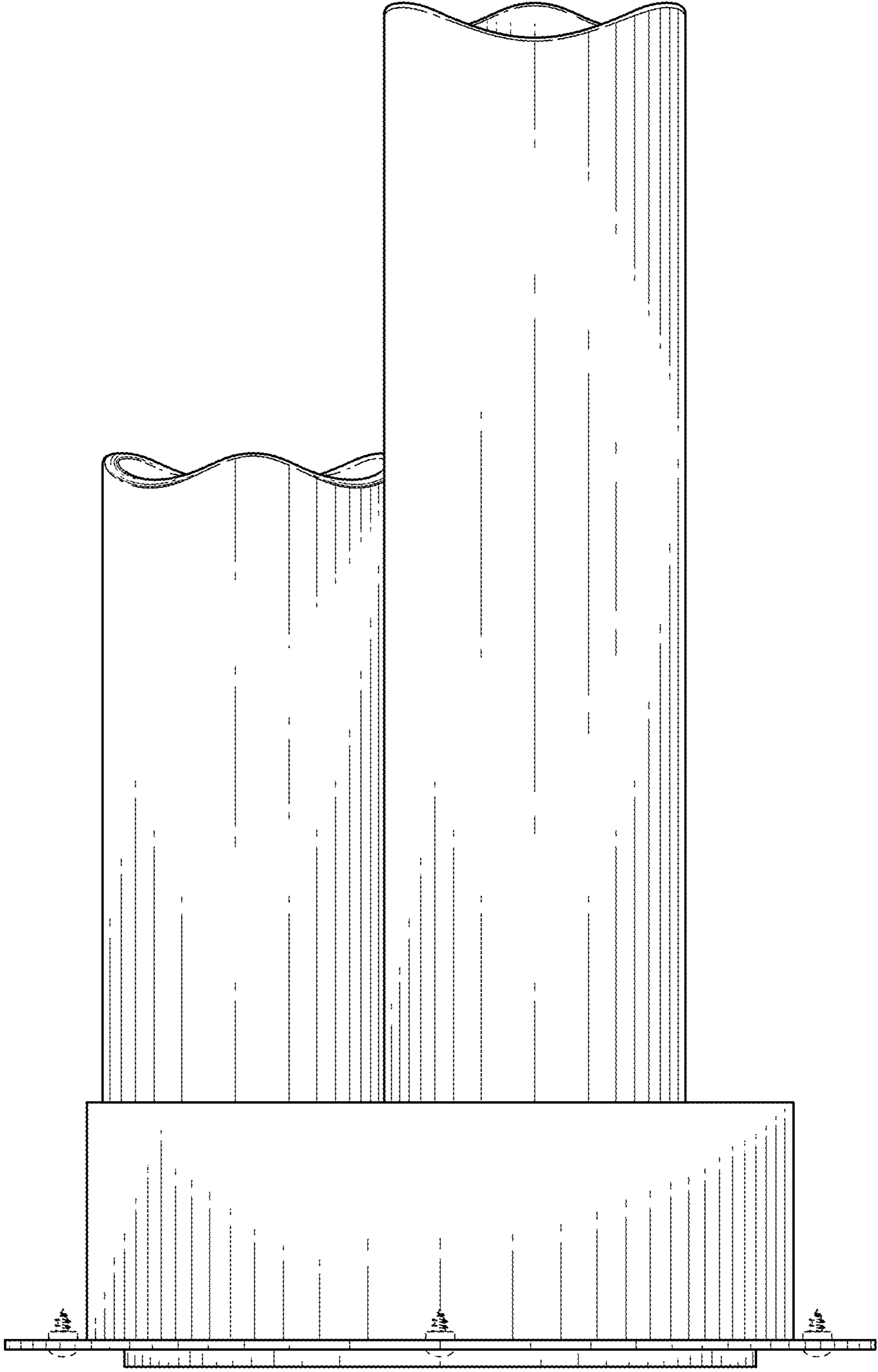


FIG. 5

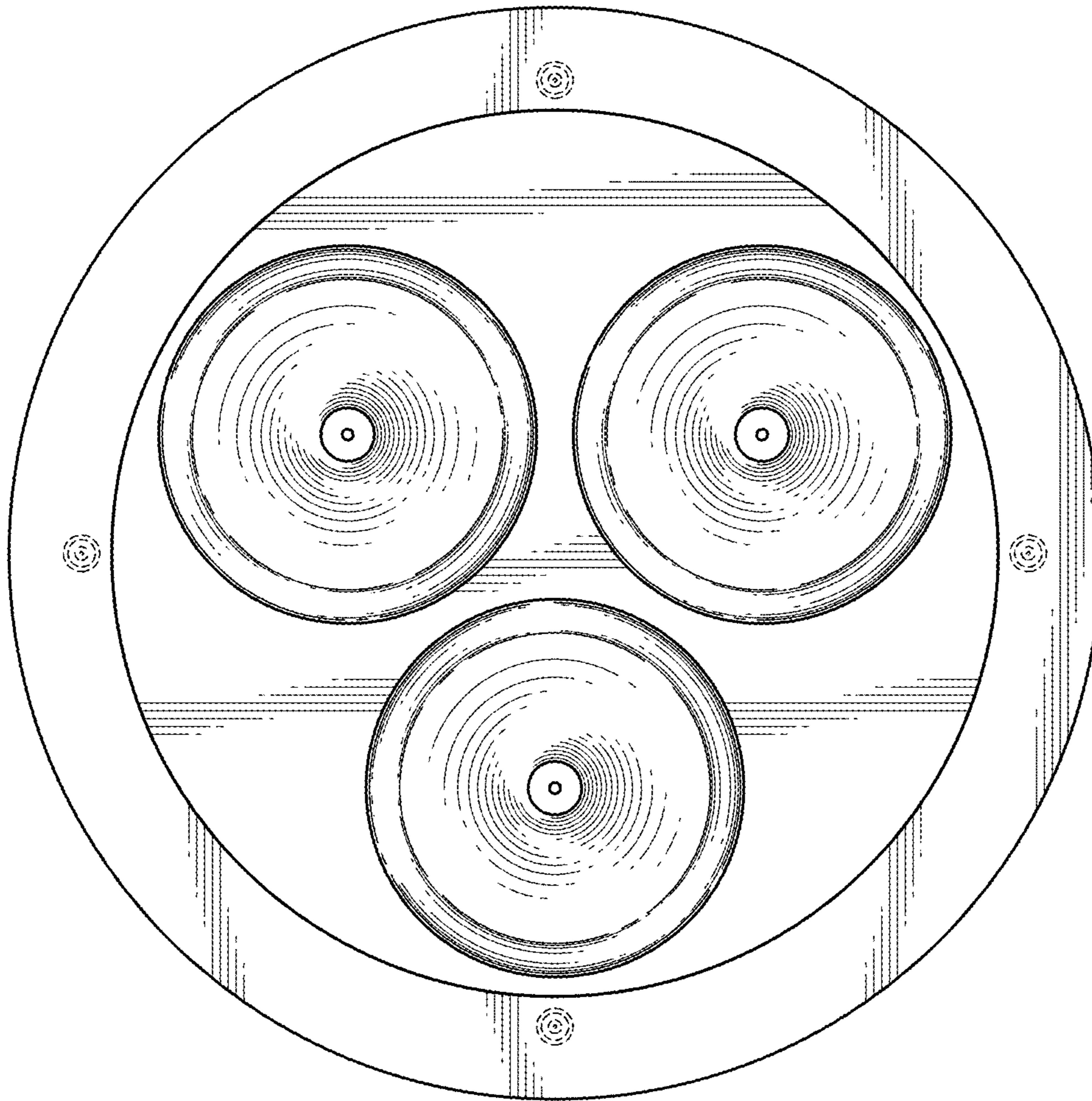


FIG. 6

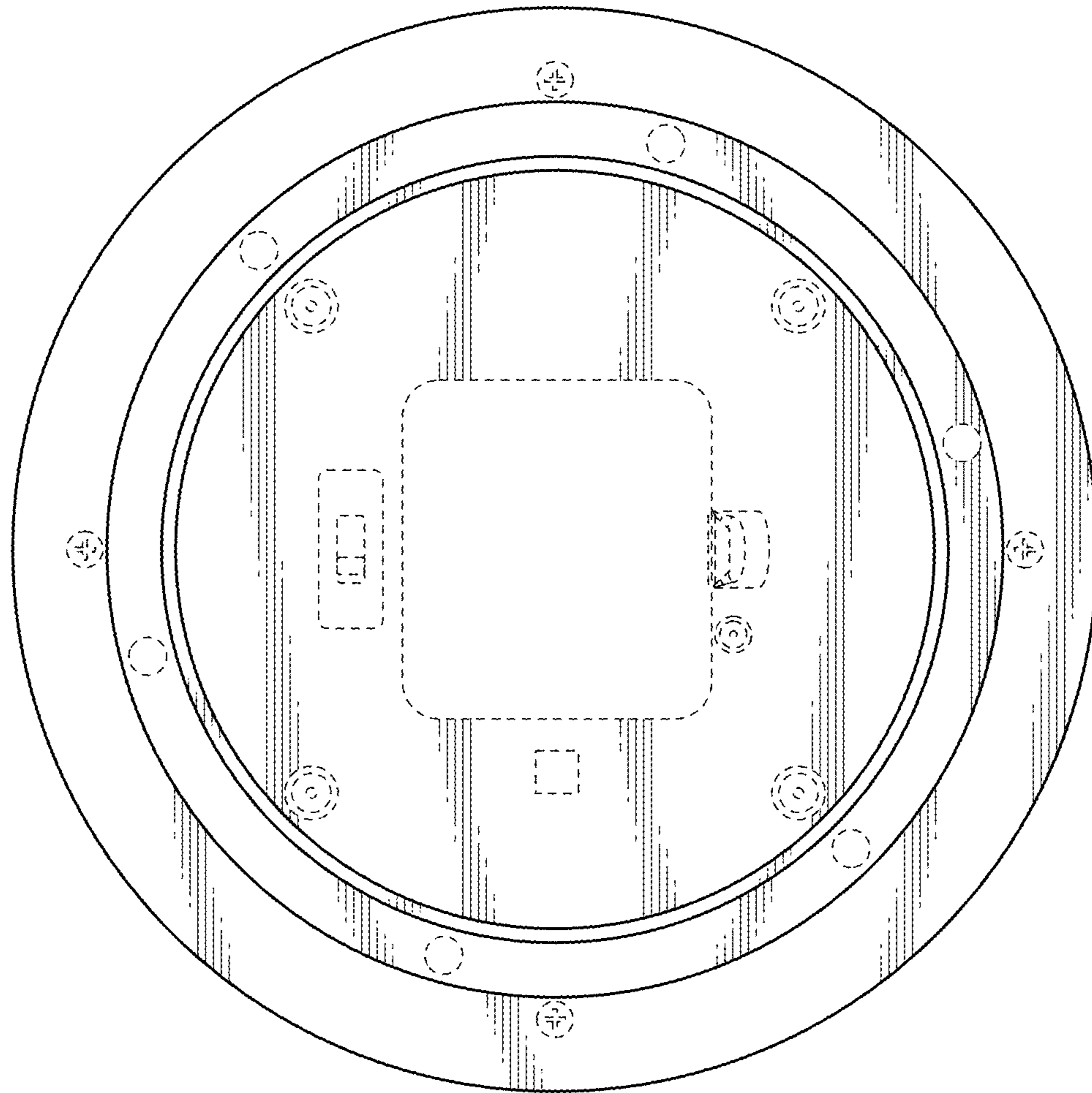


FIG. 7