



US00D739067S

(12) **United States Design Patent**
Macura

(10) **Patent No.:** **US D739,067 S**

(45) **Date of Patent:** **** Sep. 15, 2015**

(54) **LUMINAIRE FOR ROAD LIGHTING**

(71) Applicant: **KONINKLIJKE PHILIPS N.V.**,
Eindhoven (NL)

(72) Inventor: **Marko Macura**, Eindhoven (NL)

(73) Assignee: **KONINKLIJKE PHILIPS N.V.**,
Eindhoven (NL)

(**) Term: **14 Years**

(21) Appl. No.: **29/491,329**

(22) Filed: **May 20, 2014**

(30) **Foreign Application Priority Data**

Nov. 22, 2013 (EM) 002350629-0005

(51) **LOC (10) Cl.** **26-05**

(52) **U.S. Cl.**
USPC **D26/67**

(58) **Field of Classification Search**
USPC D26/2, 67, 68, 70
CPC F21S 8/085; F21S 8/086; F21S 8/088;
F21V 21/14
See application file for complete search history.

(56) **References Cited**

U.S. PATENT DOCUMENTS

D199,267 S * 9/1964 Harling et al. D26/67
D199,999 S * 1/1965 Simon D26/67

D218,985 S * 10/1970 Anderson, Jr. D26/67
D284,223 S * 6/1986 Harvey D26/67
D469,563 S * 1/2003 Irvine D26/108
D539,939 S * 4/2007 Mama D26/2
D553,266 S * 10/2007 Maxik D26/2
D574,537 S * 8/2008 Sanoner D26/67
D599,932 S * 9/2009 Van Klinken D26/67
D599,933 S * 9/2009 van Klinken D26/67
D599,934 S * 9/2009 van Klinken D26/67
D672,075 S * 12/2012 Abogabir D26/68
D693,496 S * 11/2013 Rioux et al. D26/2
D694,451 S * 11/2013 Fang D26/70
8,740,418 B2 * 6/2014 Shinohara 362/311.06

* cited by examiner

Primary Examiner — Clare E Heflin

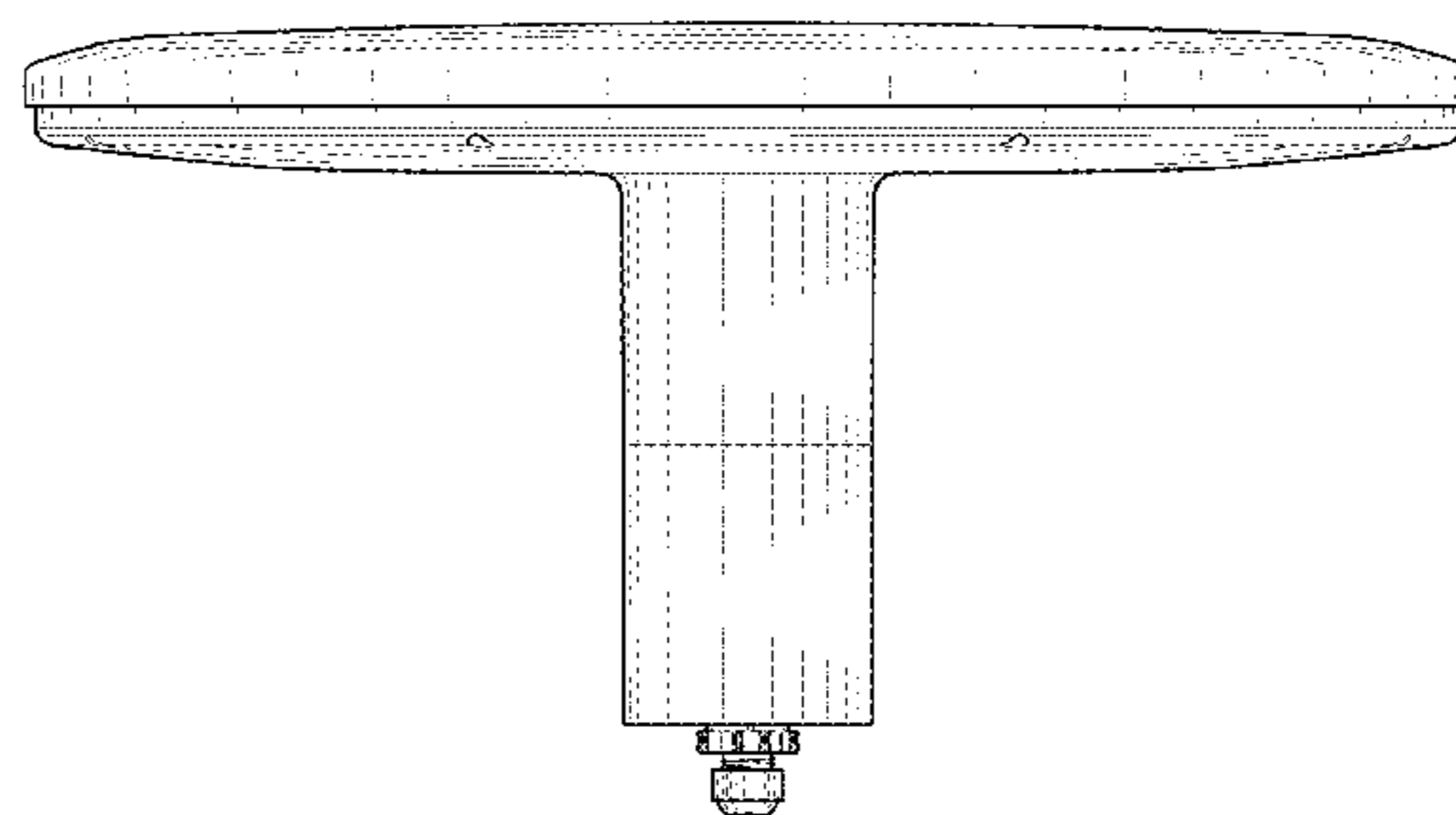
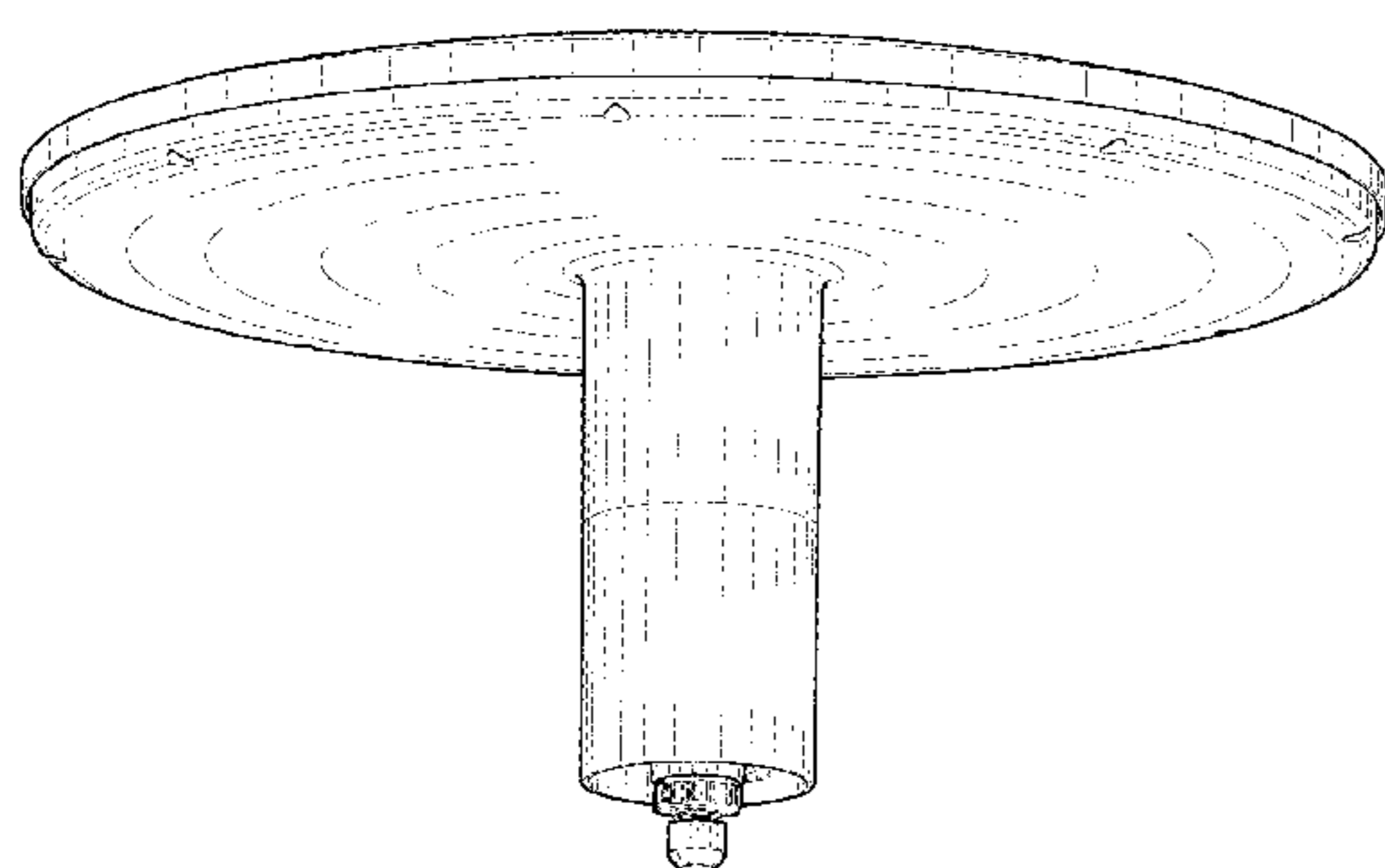
(57) **CLAIM**

The ornamental design for a luminaire for road lighting, as shown and described.

DESCRIPTION

FIG. 1 is a perspective view showing my design;
FIG. 2 is a front elevational view thereof;
FIG. 3 is a rear elevational view thereof;
FIG. 4 is a right side elevational view thereof;
FIG. 5 is a left side elevational view thereof;
FIG. 6 is a top plan view thereof; and,
FIG. 7 is a bottom plan view thereof.
The broken lines shown on the drawings depict portions of the luminaire for road lighting that form no part of the claimed design.

1 Claim, 5 Drawing Sheets



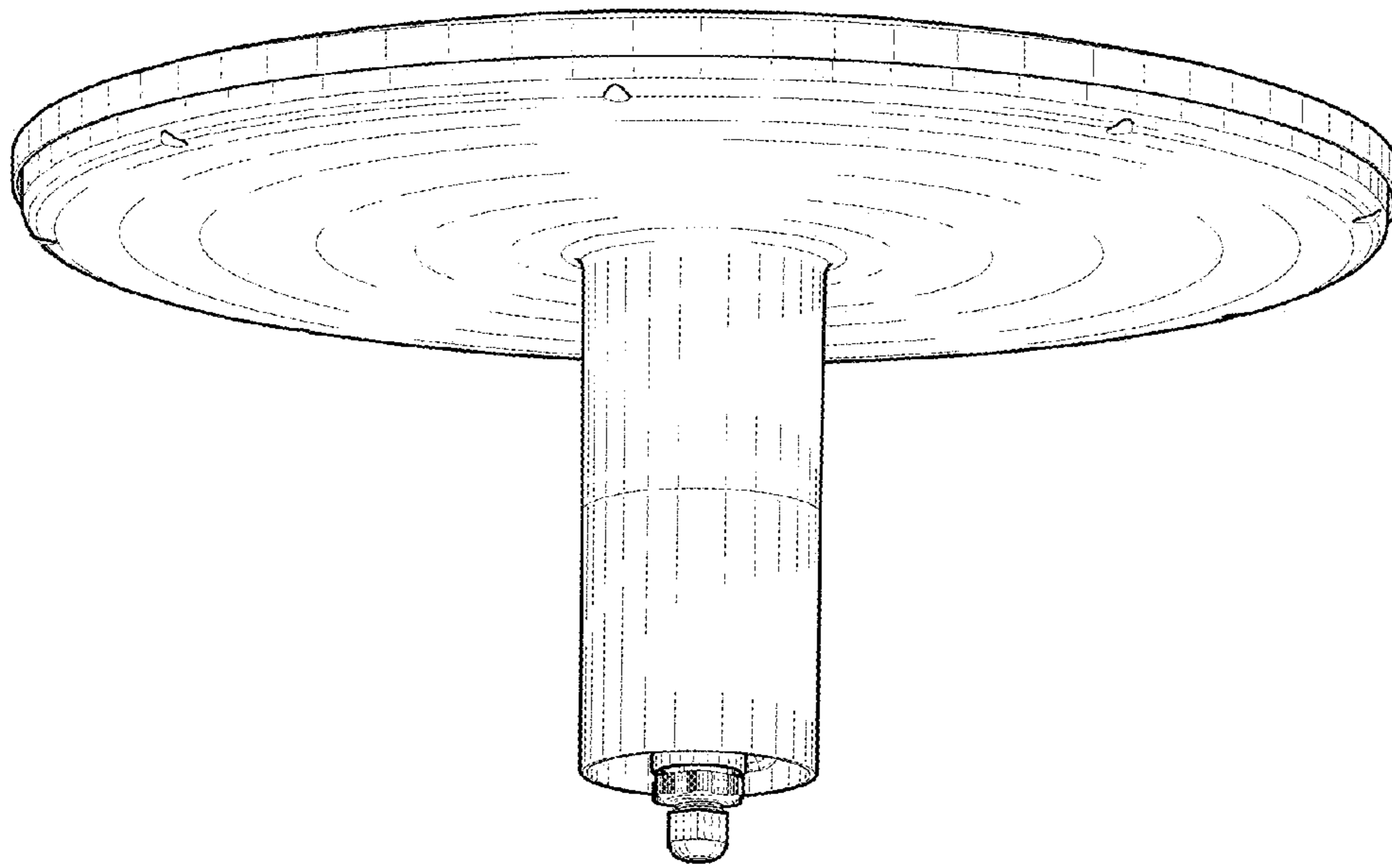


FIG. 1

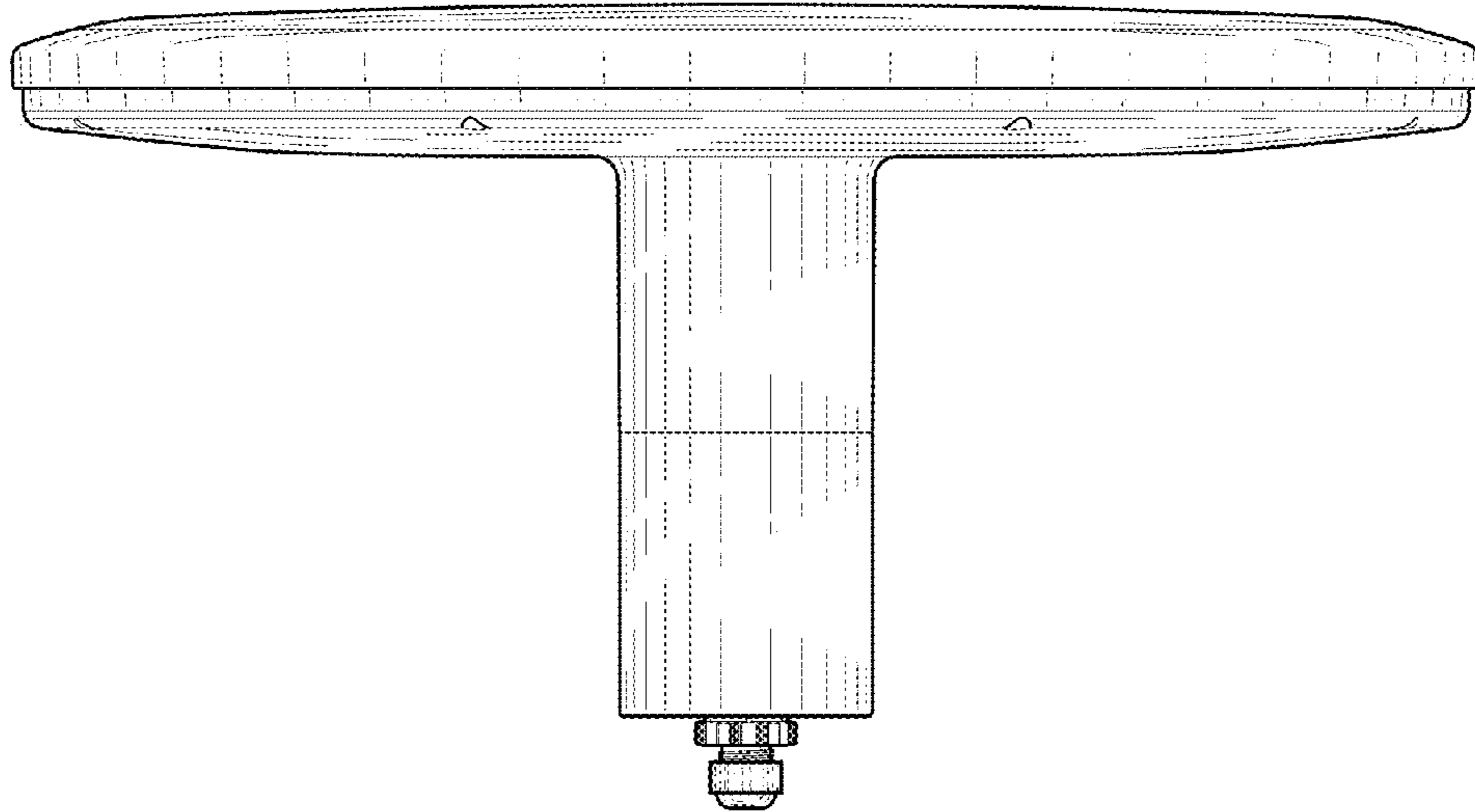


FIG. 2

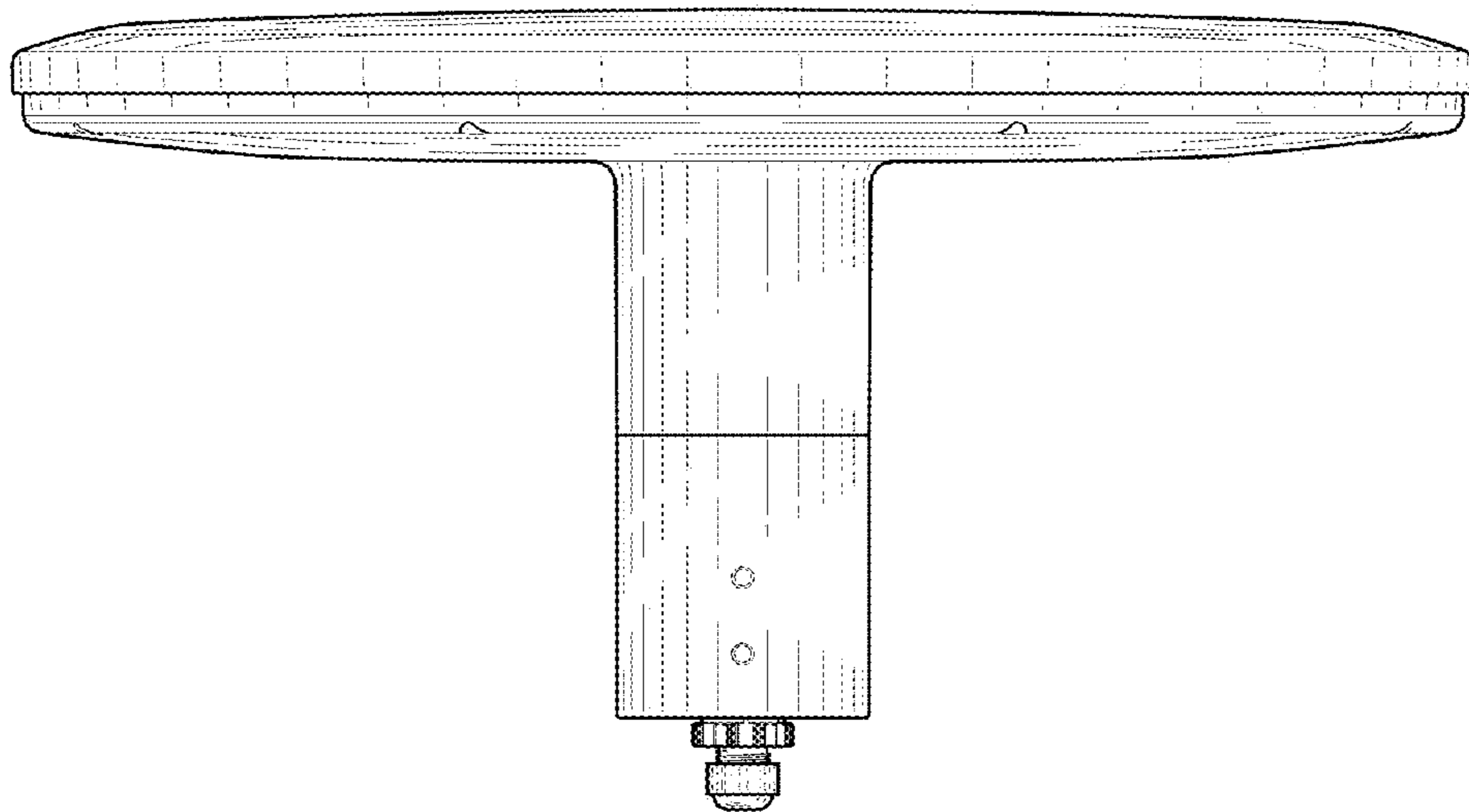


FIG. 3

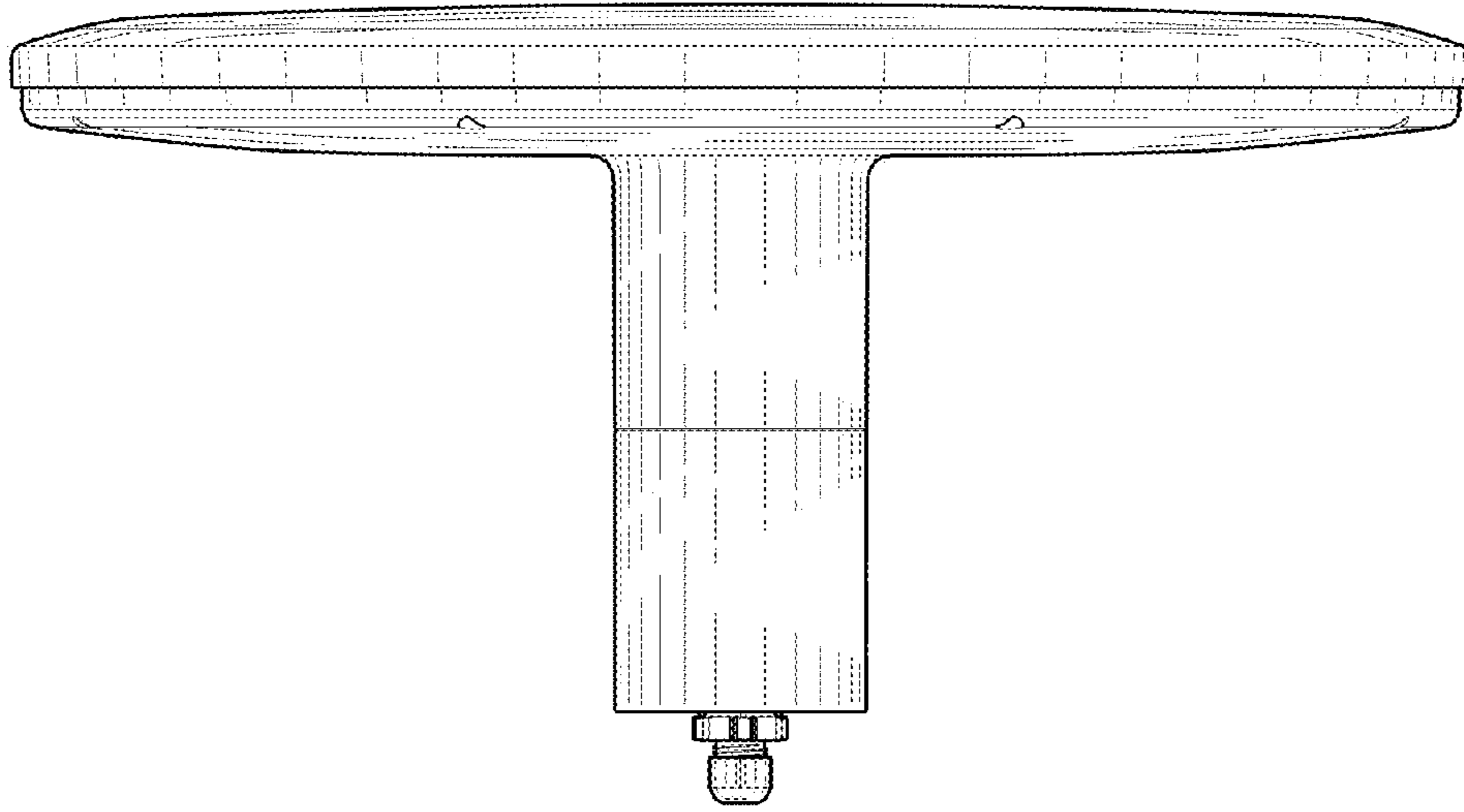


FIG. 4

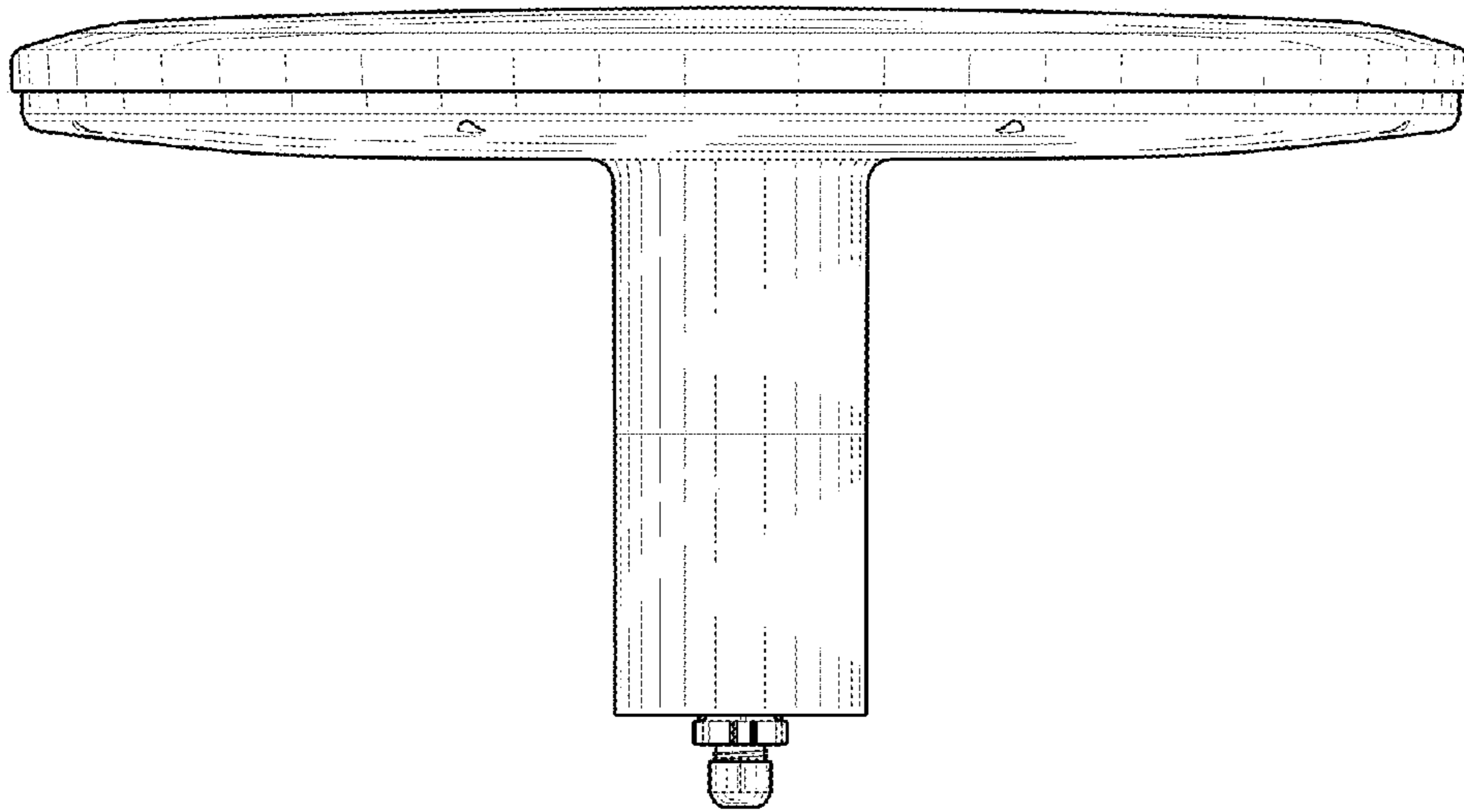


FIG. 5

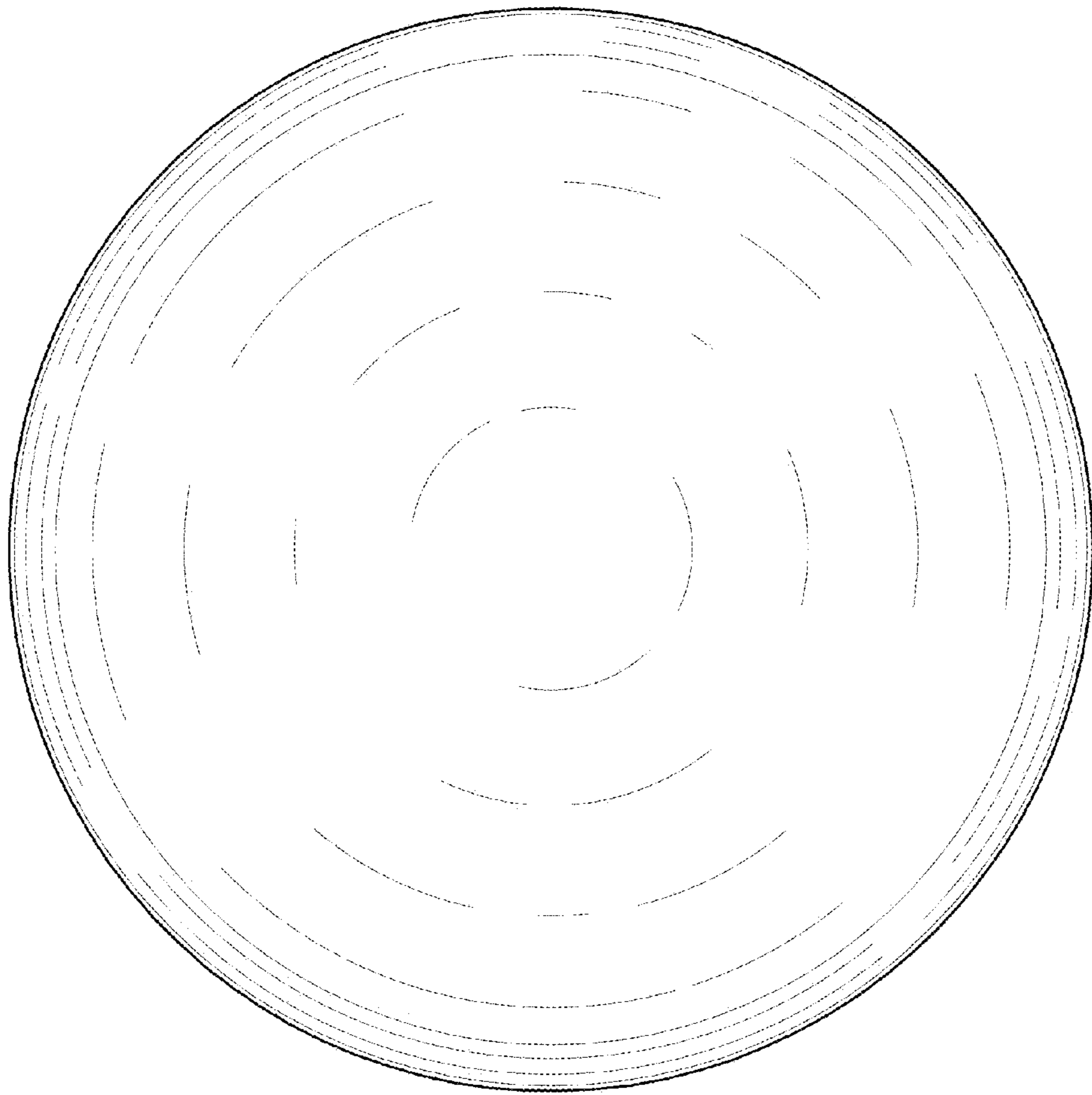


FIG. 6

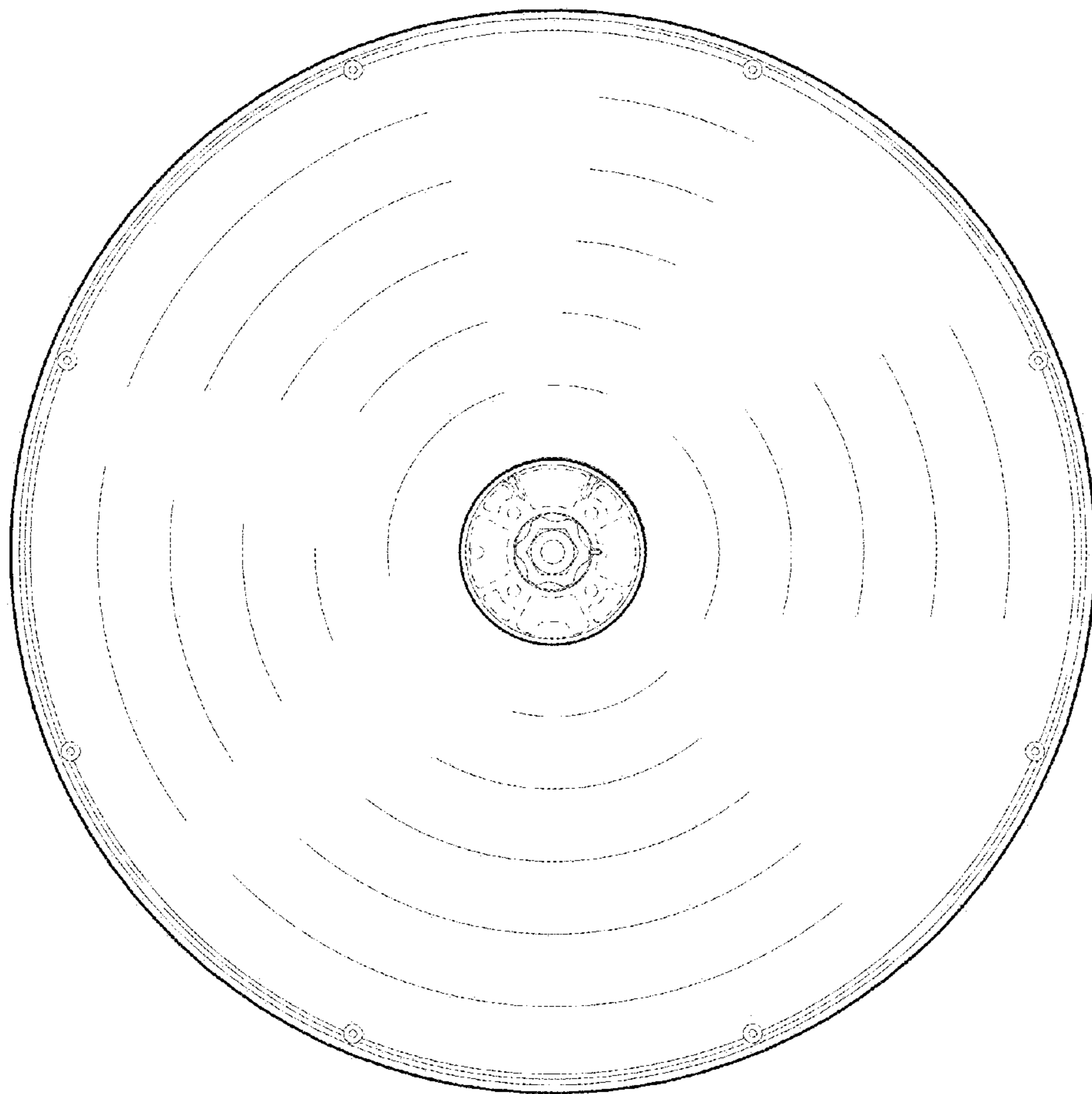


FIG. 7