



US00D739066S

(12) **United States Design Patent**
Macura

(10) **Patent No.:** **US D739,066 S**

(45) **Date of Patent:** **** Sep. 15, 2015**

(54) **LUMINAIRE FOR ROAD LIGHTING**

(71) Applicant: **KONINKLIJKE PHILIPS N.V.**,
Eindhoven (NL)

(72) Inventor: **Marko Macura**, Eindhoven (NL)

(73) Assignee: **KONINKLIJKE PHILIPS N.V.**,
Eindhoven (NL)

(**) Term: **14 Years**

(21) Appl. No.: **29/491,320**

(22) Filed: **May 20, 2014**

(30) **Foreign Application Priority Data**

Nov. 22, 2013 (EM) 002350629-0004

(51) **LOC (10) Cl.** **26-05**

(52) **U.S. Cl.**
USPC **D26/67**

(58) **Field of Classification Search**
USPC D26/2, 67, 68, 70
CPC F21S 8/085; F21S 8/086; F21S 8/088;
F21V 21/14
See application file for complete search history.

(56) **References Cited**

U.S. PATENT DOCUMENTS

D28,452 S * 4/1898 Miller D26/2
D193,407 S * 8/1962 Pettingill D26/67
D194,624 S * 2/1963 Pettingill D26/67
D199,999 S * 1/1965 Simon D26/67

D201,515 S * 6/1965 Pettingill D26/67
3,339,065 A * 8/1967 Kelley, Jr. 362/363
3,482,087 A * 12/1969 Kelley, Jr. 362/311.06
D218,985 S * 10/1970 Anderson D26/67
D329,099 S * 9/1992 Hall et al. D26/67
D338,080 S * 8/1993 Elazari D26/68
D469,563 S * 1/2003 Irvine D26/108
D539,935 S * 4/2007 Mama D26/2
D573,289 S * 7/2008 Xu et al. D26/67
D574,103 S * 7/2008 Minami et al. D26/67
D592,342 S * 5/2009 Kinnune et al. D26/67
D599,932 S * 9/2009 Van Klinken D26/67
D599,933 S * 9/2009 van Klinken D26/67
D621,532 S * 8/2010 van Klinken D26/2
D698,064 S * 1/2014 Macura D26/68
8,684,564 B2 * 4/2014 Shen et al. 362/294

* cited by examiner

Primary Examiner — Clare E Heflin

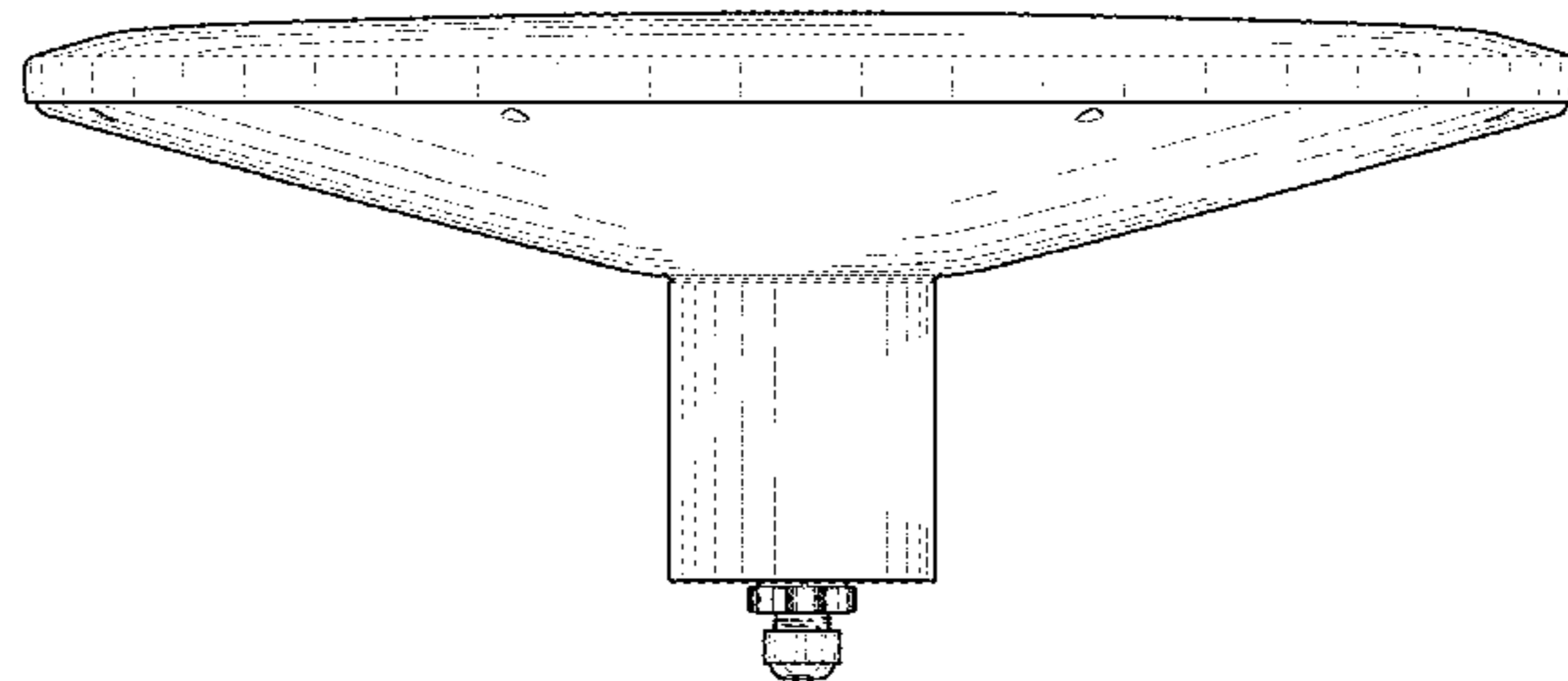
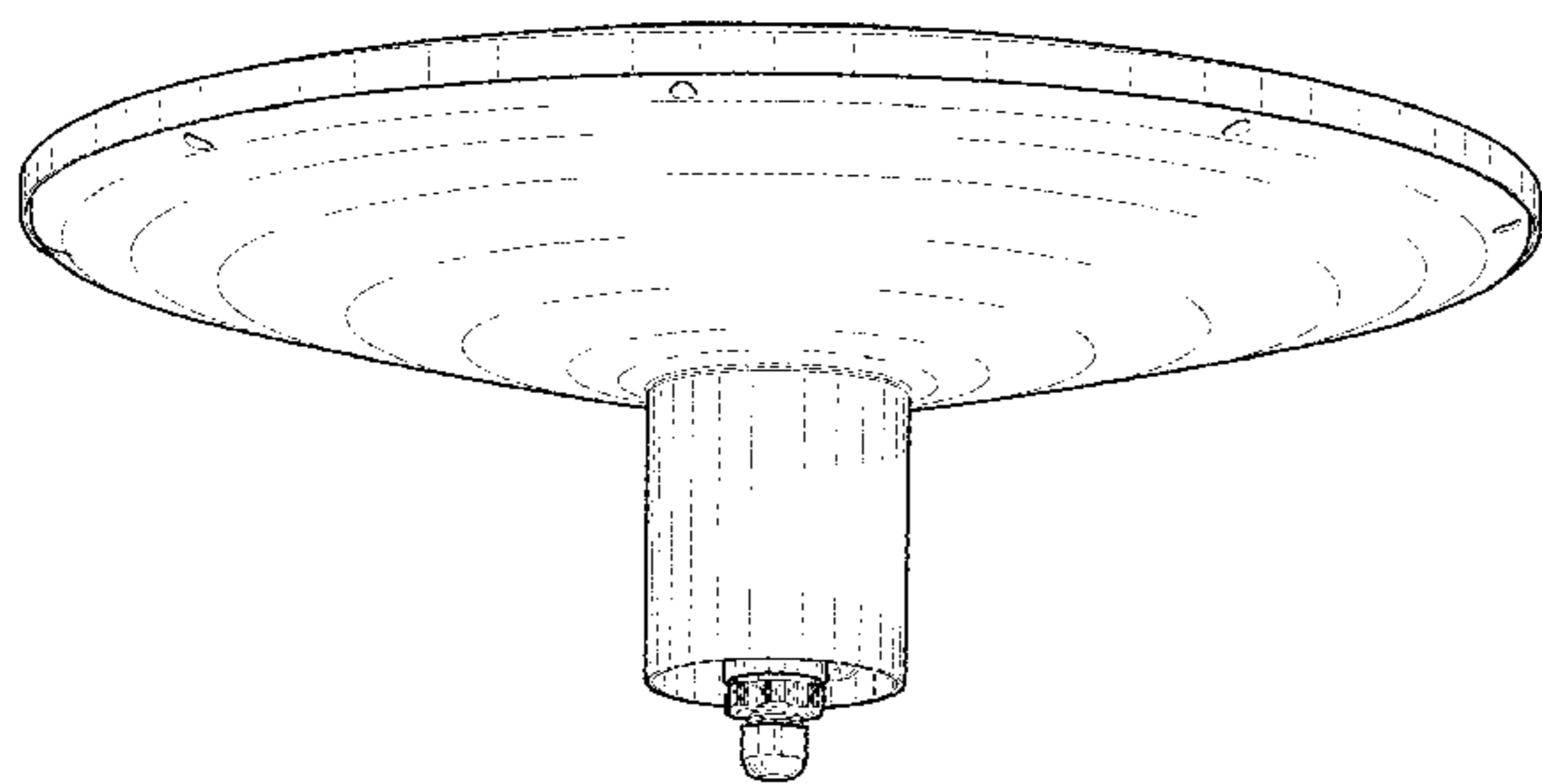
(57) **CLAIM**

The ornamental design for a luminaire for road lighting, as shown and described.

DESCRIPTION

FIG. 1 is a perspective view showing my design;
FIG. 2 is a front elevational view thereof;
FIG. 3 is a rear elevational view thereof;
FIG. 4 is a right side elevational view thereof;
FIG. 5 is a left side elevational view thereof;
FIG. 6 is a top plan view thereof; and,
FIG. 7 is a bottom plan view thereof.
The broken lines shown on the drawings depict portions of the luminaire for road lighting that form no part of the claimed design.

1 Claim, 5 Drawing Sheets



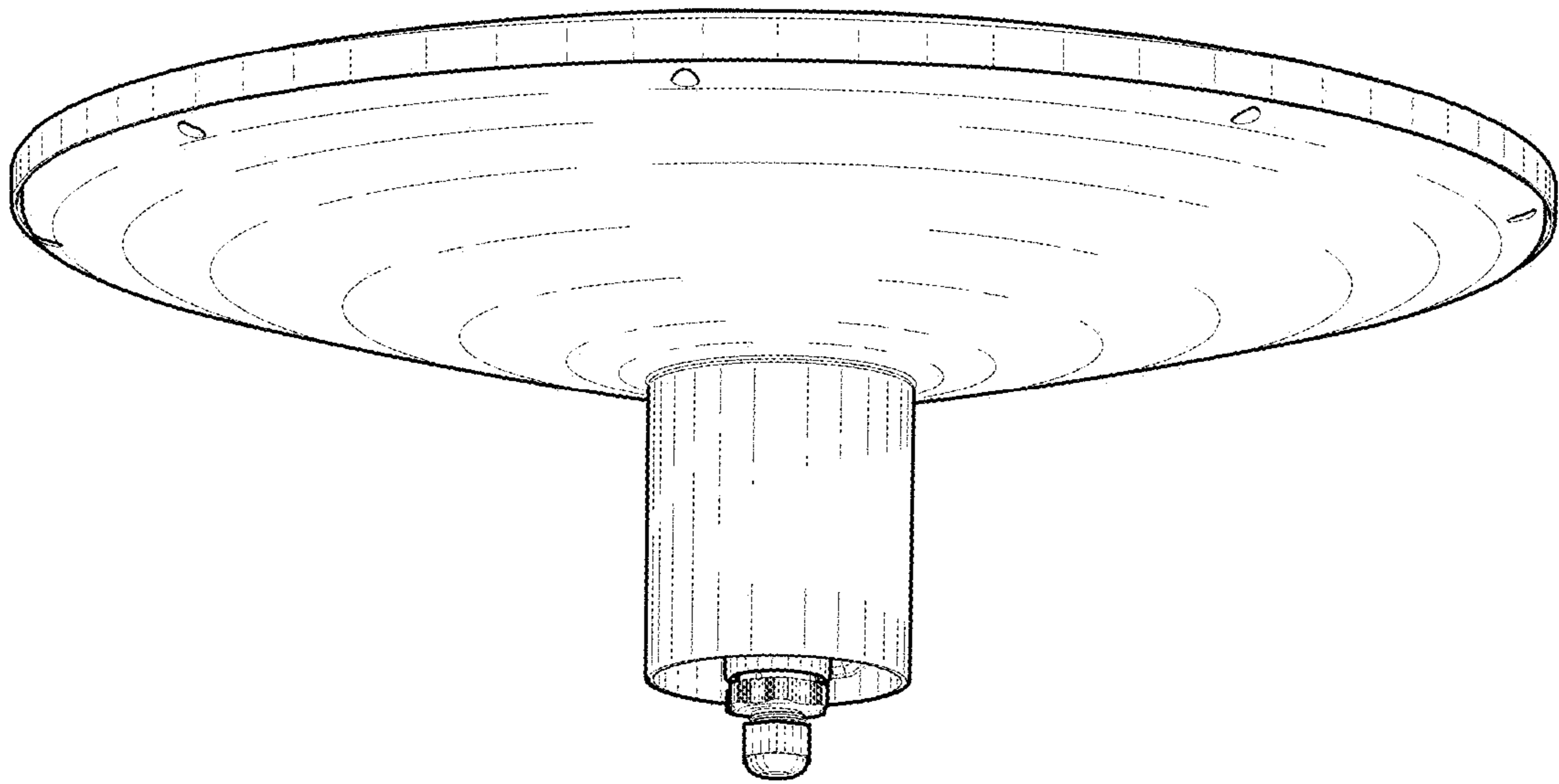


FIG. 1

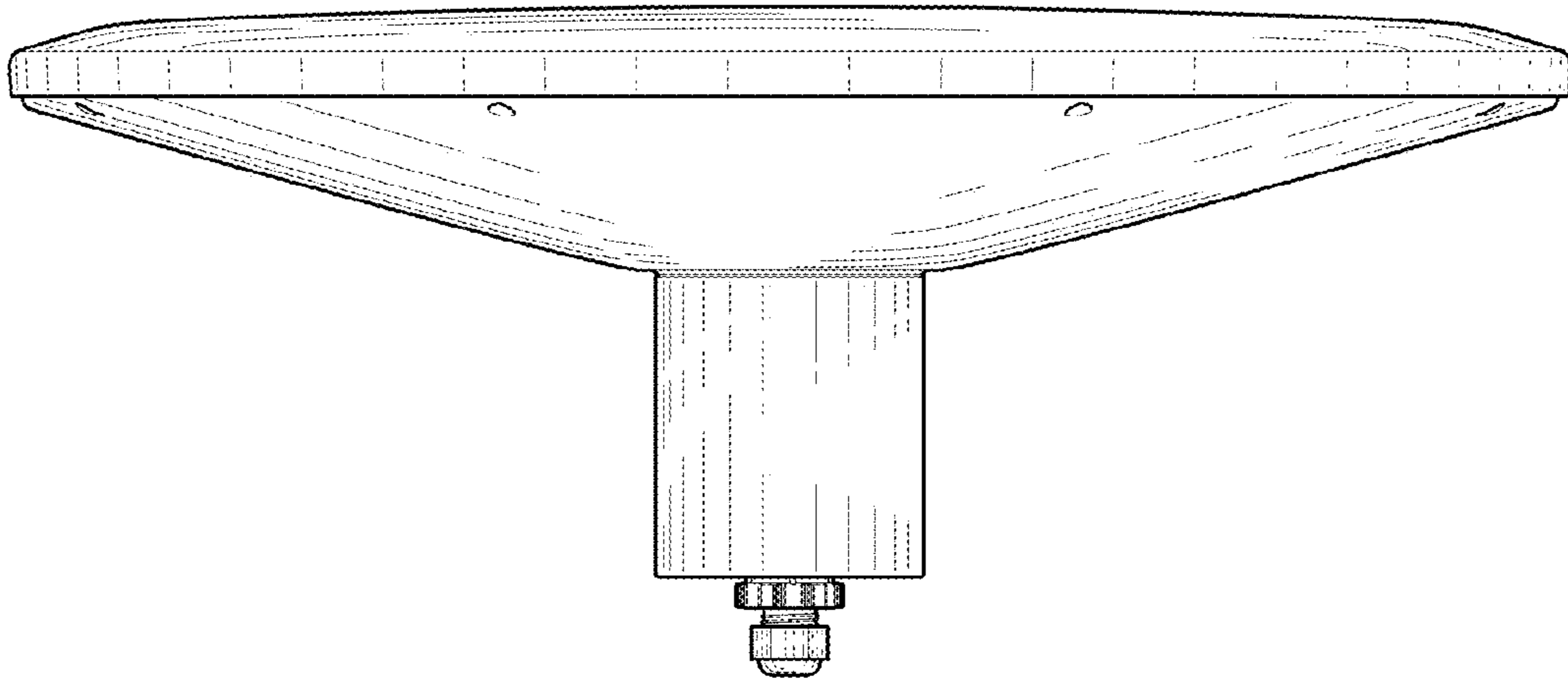


FIG. 2

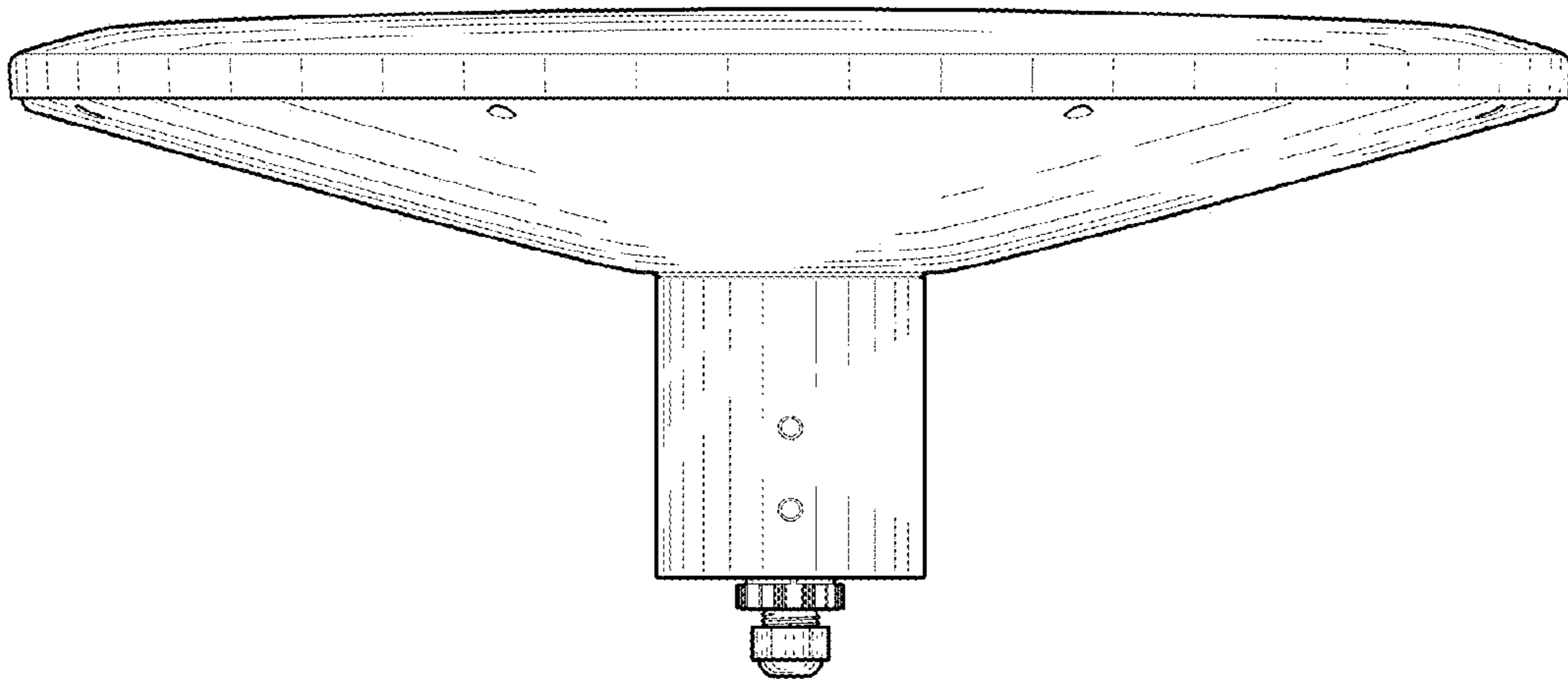


FIG. 3

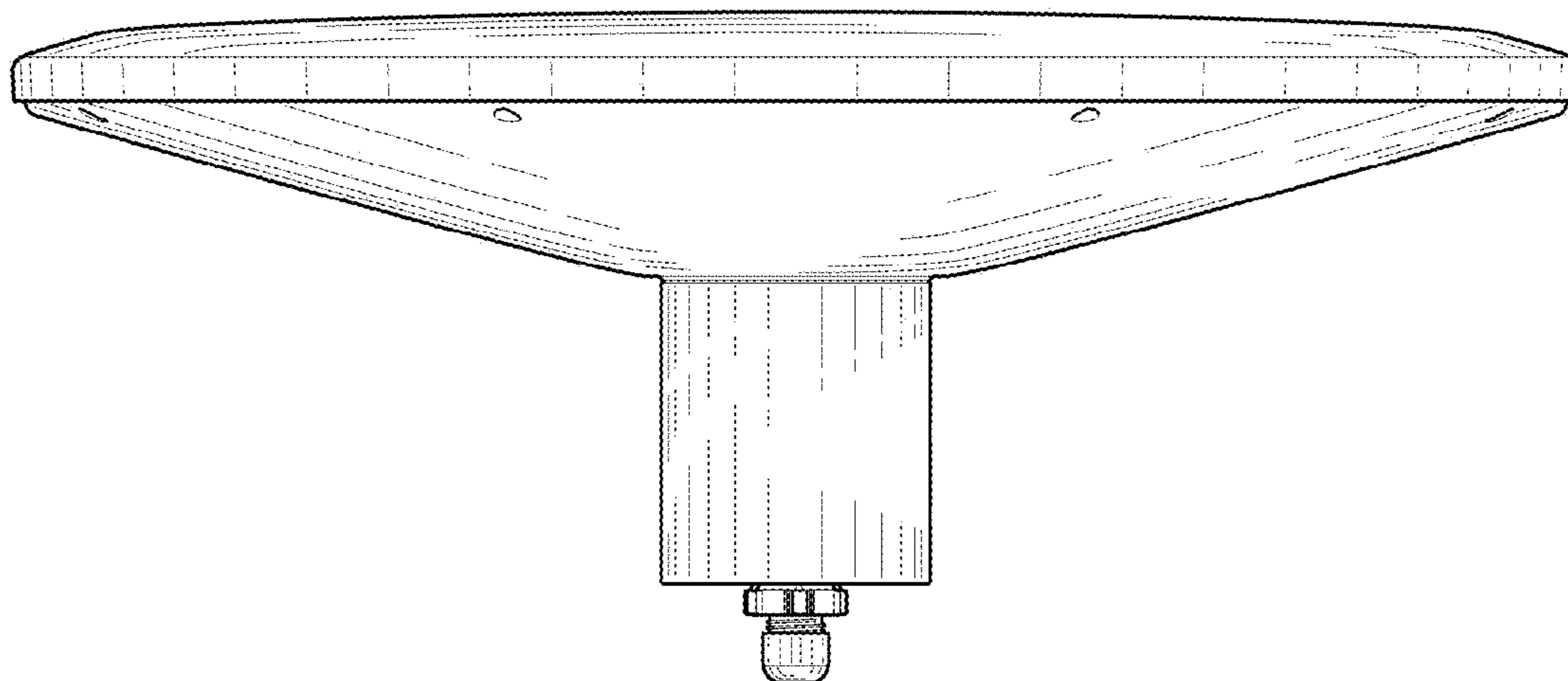


FIG. 4

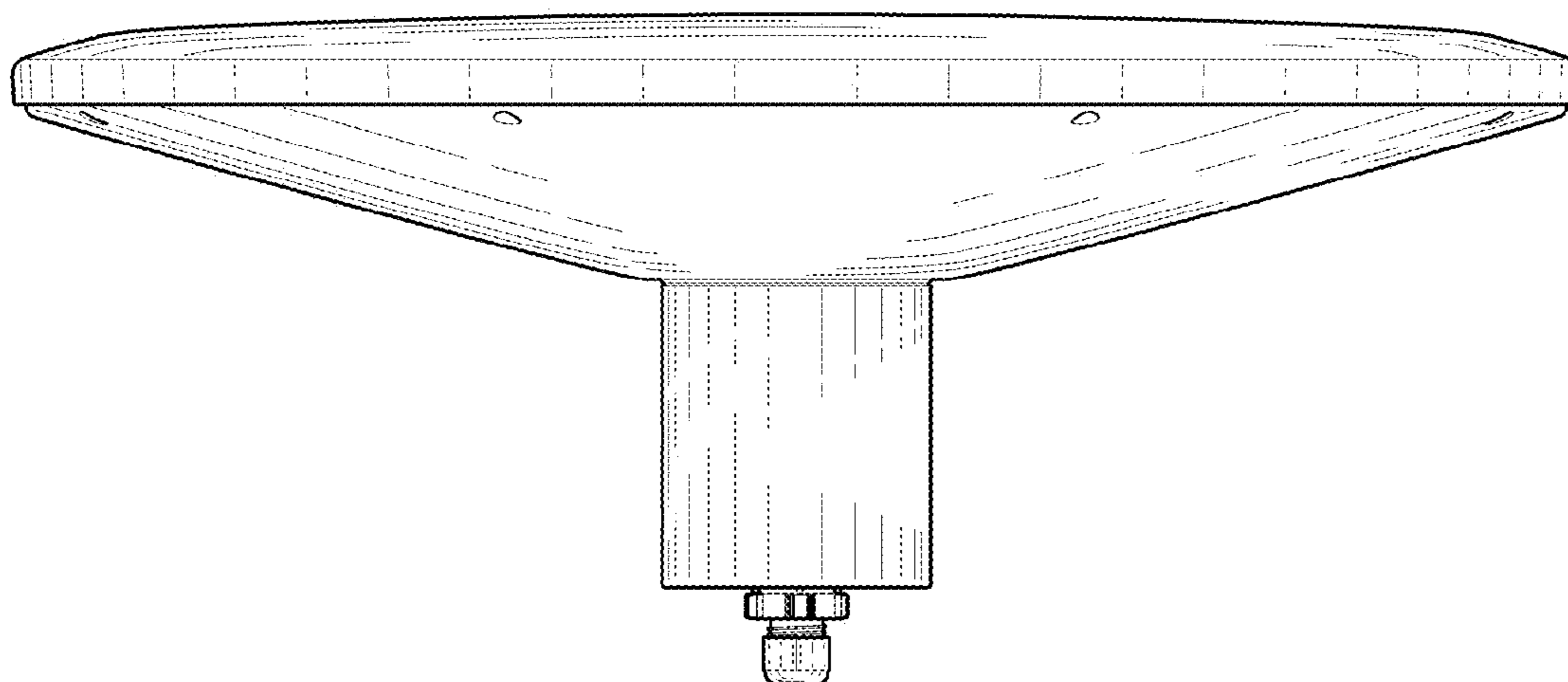


FIG. 5

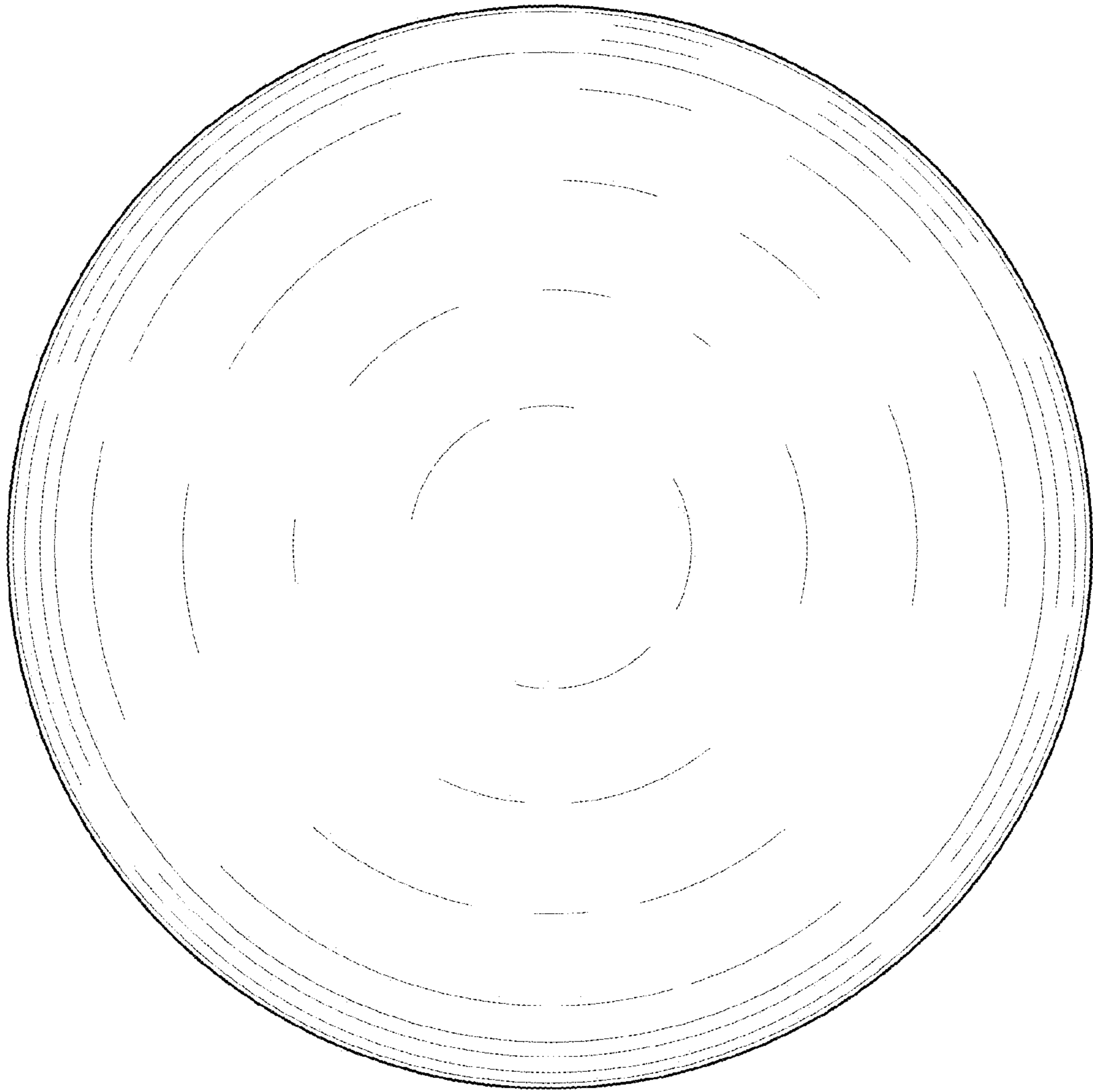


FIG. 6

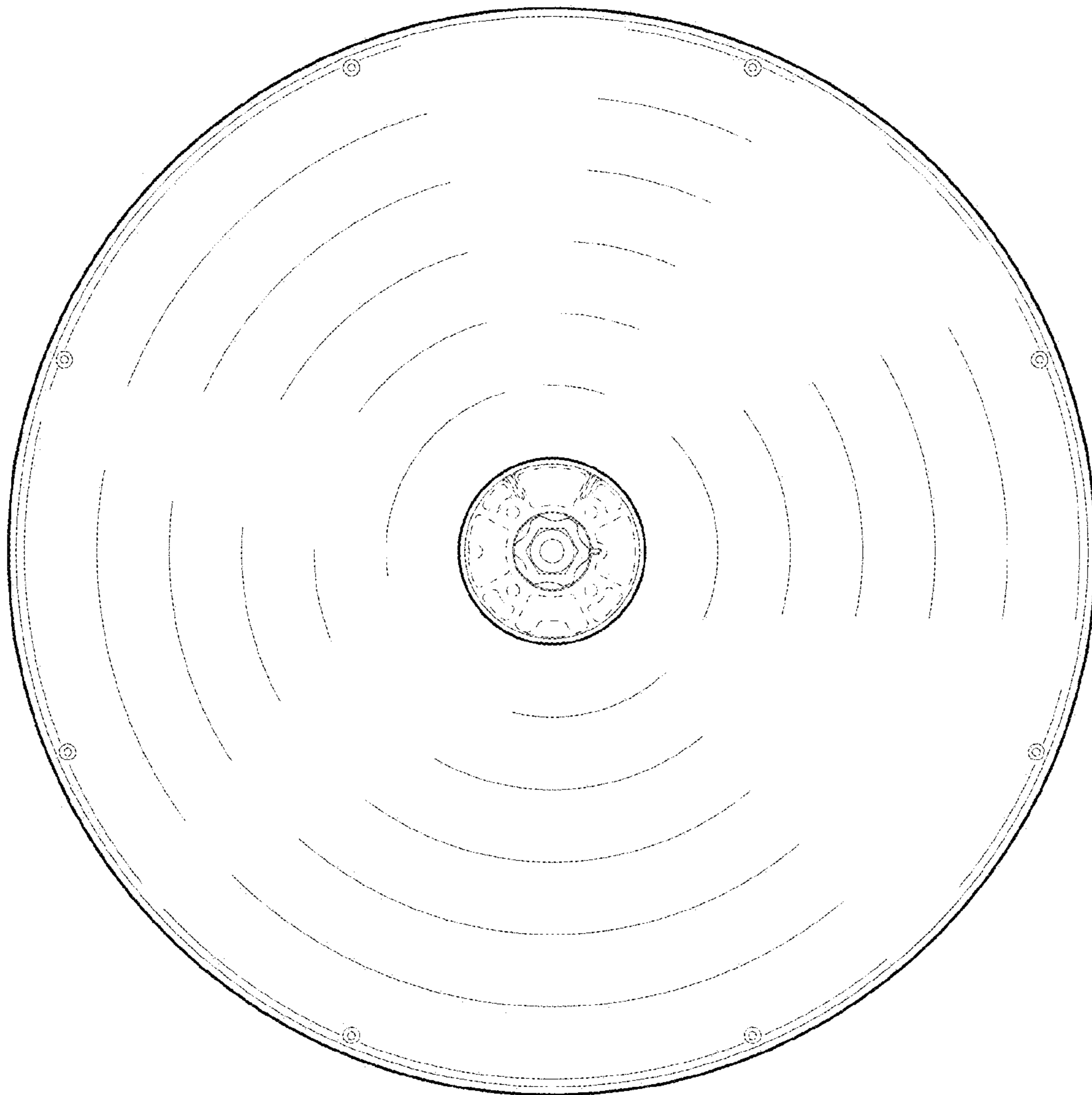


FIG. 7