



US00D739065S

(12) **United States Design Patent**
Macura

(10) **Patent No.:** **US D739,065 S**

(45) **Date of Patent:** **** Sep. 15, 2015**

(54) **LUMINAIRE FOR ROAD LIGHTING**

(71) Applicant: **KONINKLIJKE PHILIPS N.V.**,
Eindhoven (NL)

(72) Inventor: **Marko Macura**, Eindhoven (NL)

(73) Assignee: **KONINKLIJKE PHILIPS N.V.**,
Eindhoven (NL)

(**) Term: **14 Years**

(21) Appl. No.: **29/491,318**

(22) Filed: **May 20, 2014**

(30) **Foreign Application Priority Data**

Nov. 22, 2013 (EM) 002350629-0003

(51) **LOC (10) Cl.** **26-05**

(52) **U.S. Cl.**
USPC **D26/67**

(58) **Field of Classification Search**

USPC D26/2, 67, 68, 70

CPC F21S 8/085; F21S 8/086; F21S 8/088;

F21V 21/14

See application file for complete search history.

(56) **References Cited**

U.S. PATENT DOCUMENTS

D199,266 S * 9/1964 Izzi D26/67

D199,999 S * 1/1965 Simon D26/67

3,482,087 A * 12/1969 Kelley, Jr. 362/311.06

D218,985 S * 10/1970 Anderson, Jr. D26/67

D284,223 S * 6/1986 Harvey D26/67

D284,311 S * 6/1986 Patel D26/67

D329,099 S * 9/1992 Hall et al. D26/67

D541,967 S * 5/2007 Rahir D26/67

D553,266 S * 10/2007 Maxik D26/2

D574,103 S * 7/2008 Minami et al. D26/67

D574,537 S * 8/2008 Sanoner D26/67

D599,934 S * 9/2009 van Klinken D26/67

D621,532 S * 8/2010 van Klinken D26/2

D622,813 S * 8/2010 Sewzyk et al. D23/232

D672,075 S * 12/2012 Abogabir D26/68

D693,496 S * 11/2013 Rioux et al. D26/2

D698,065 S * 1/2014 Macura D26/68

8,740,418 B2 * 6/2014 Shinohara 362/311.06

D725,305 S * 3/2015 Nelson et al. D26/70

8,992,046 B2 * 3/2015 Moeck et al. 362/249.02

* cited by examiner

Primary Examiner — Clare E Heflin

(57) **CLAIM**

The ornamental design for a luminaire for road lighting, as shown and described.

DESCRIPTION

FIG. 1 is a perspective view showing my design;

FIG. 2 is a front elevational view thereof;

FIG. 3 is a rear elevational view thereof;

FIG. 4 is a right side elevational view thereof;

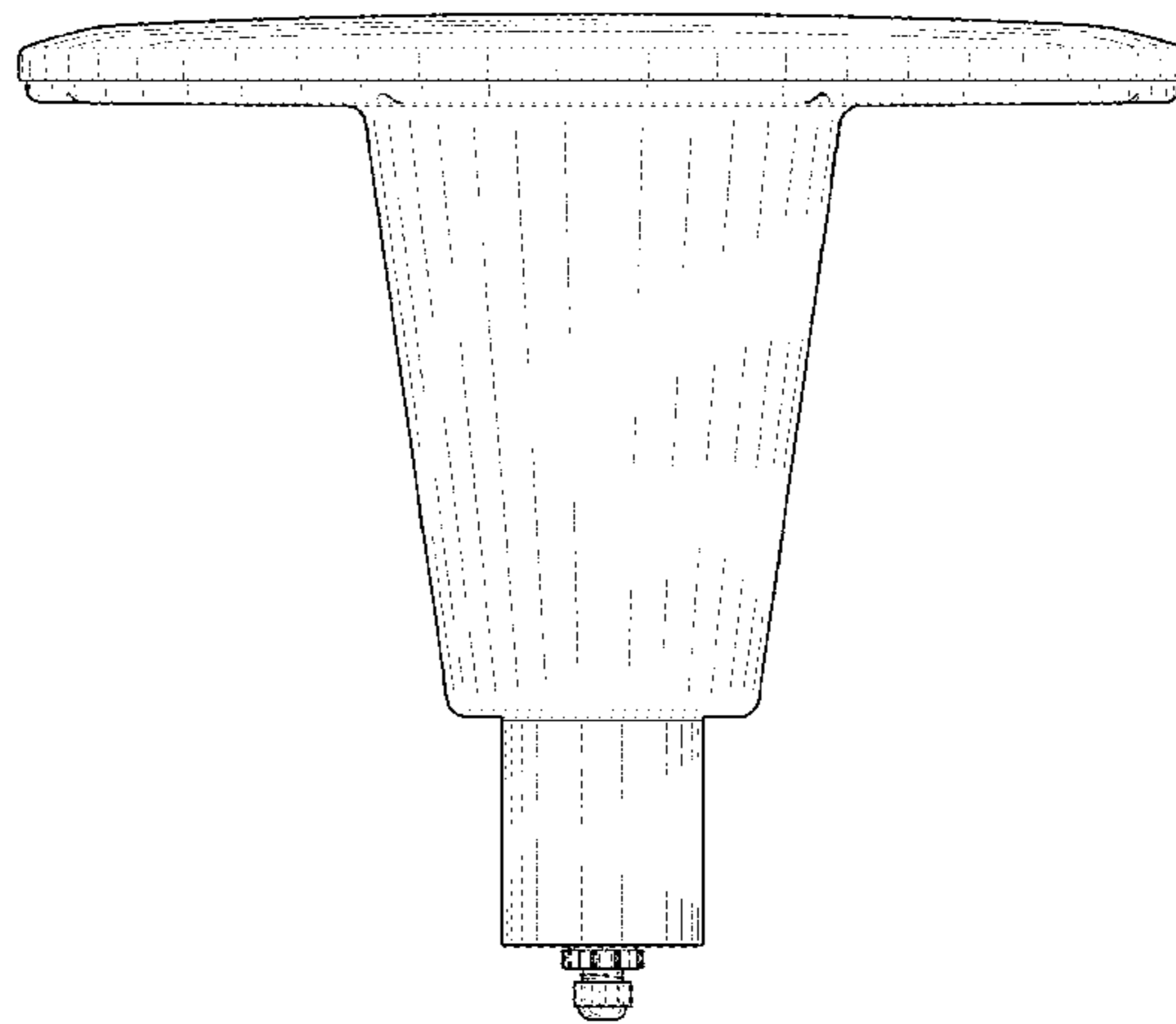
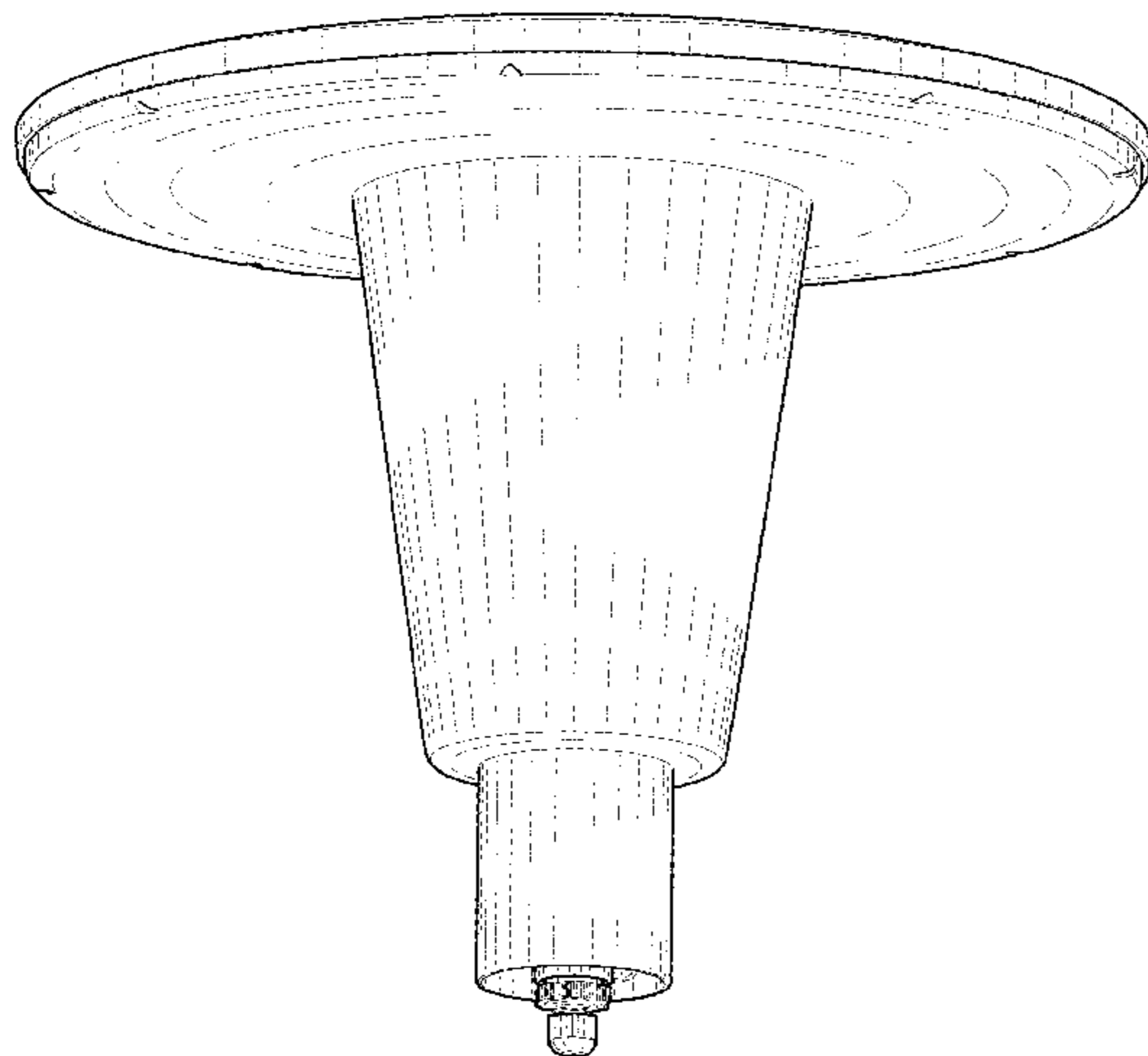
FIG. 5 is a left side elevational view thereof;

FIG. 6 is a top plan view thereof; and,

FIG. 7 is a bottom plan view thereof.

The broken lines shown on the drawings depict portions of the luminaire for road lighting that form no part of the claimed design.

1 Claim, 7 Drawing Sheets



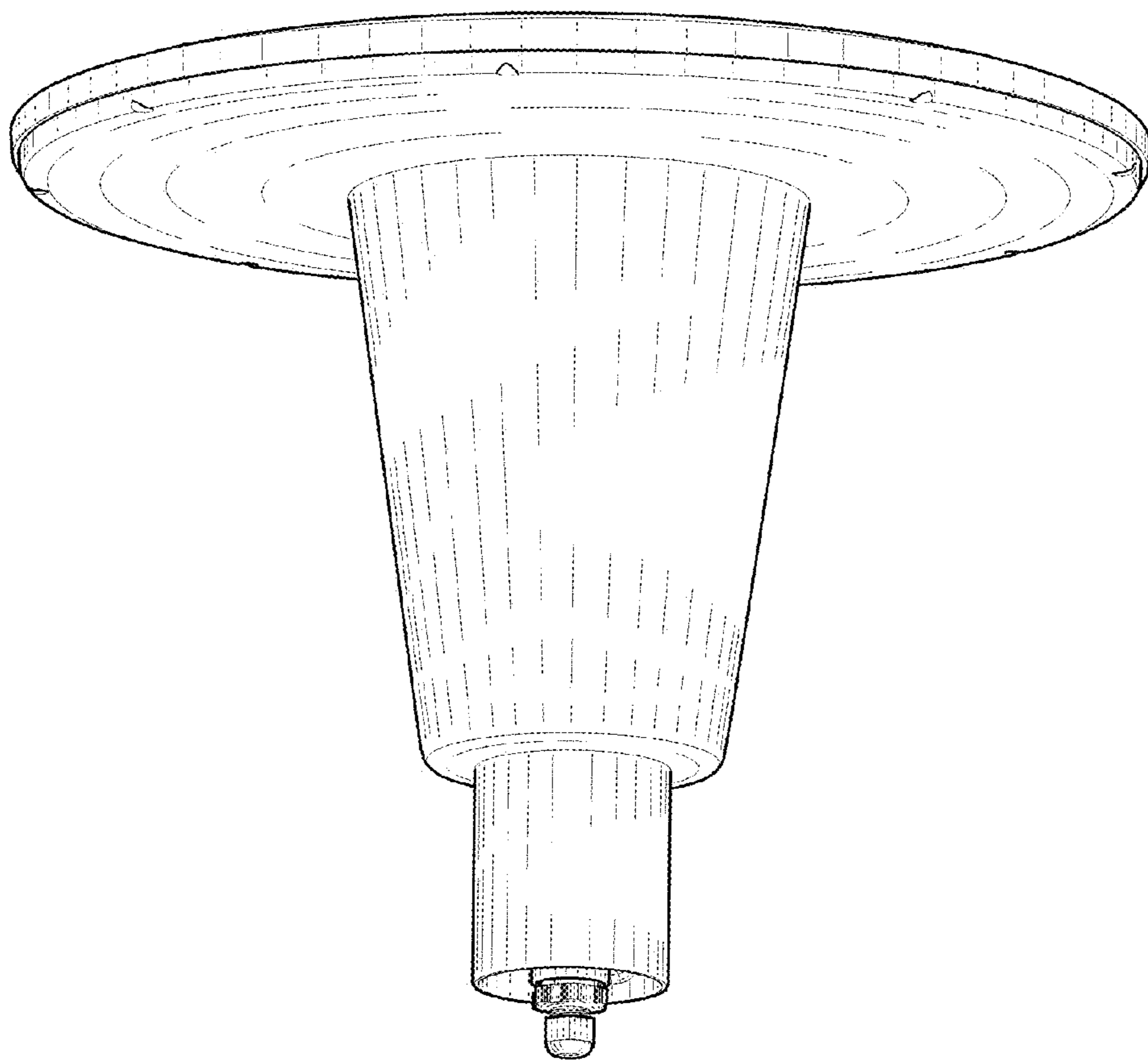


FIG. 1

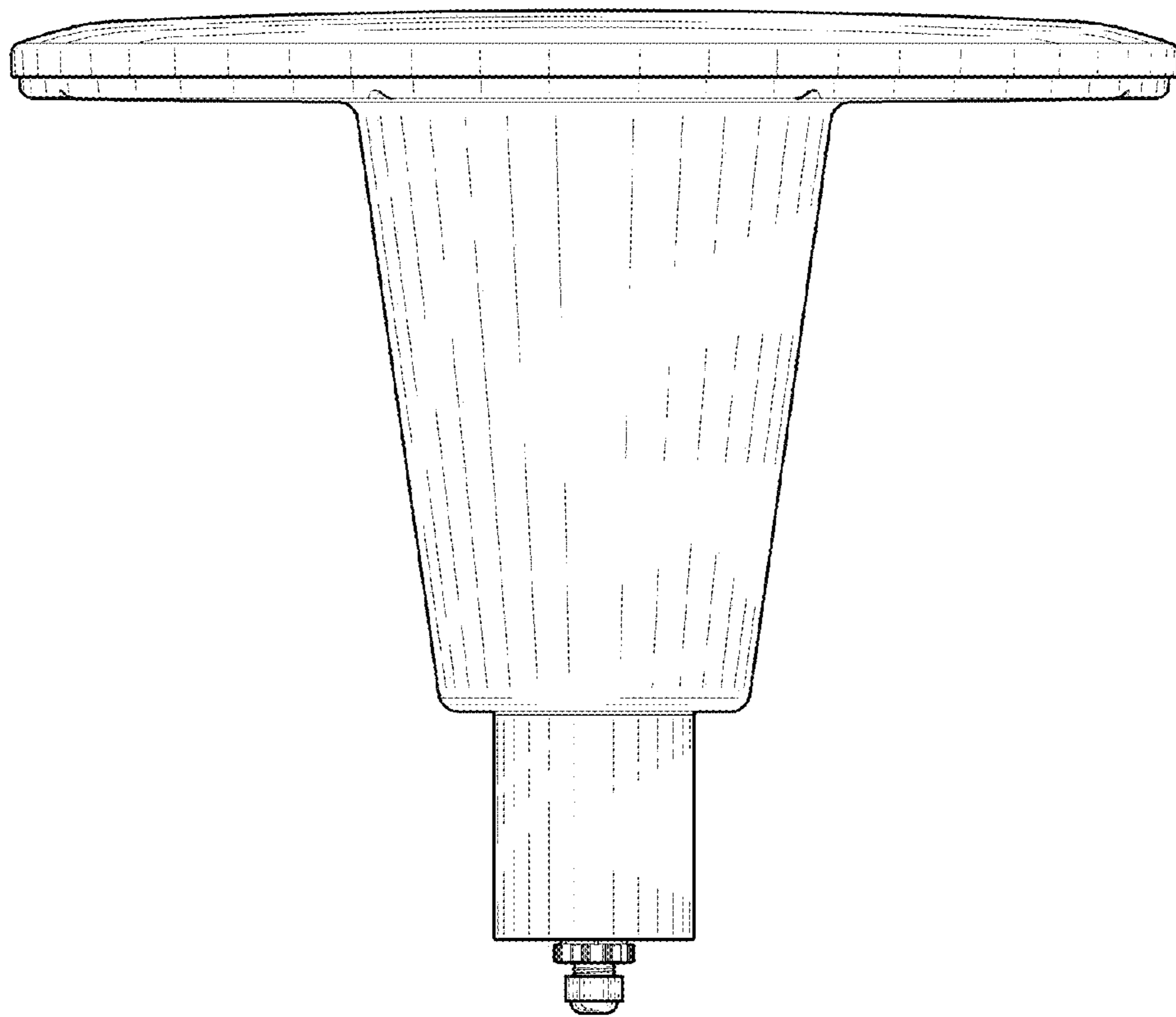


FIG. 2

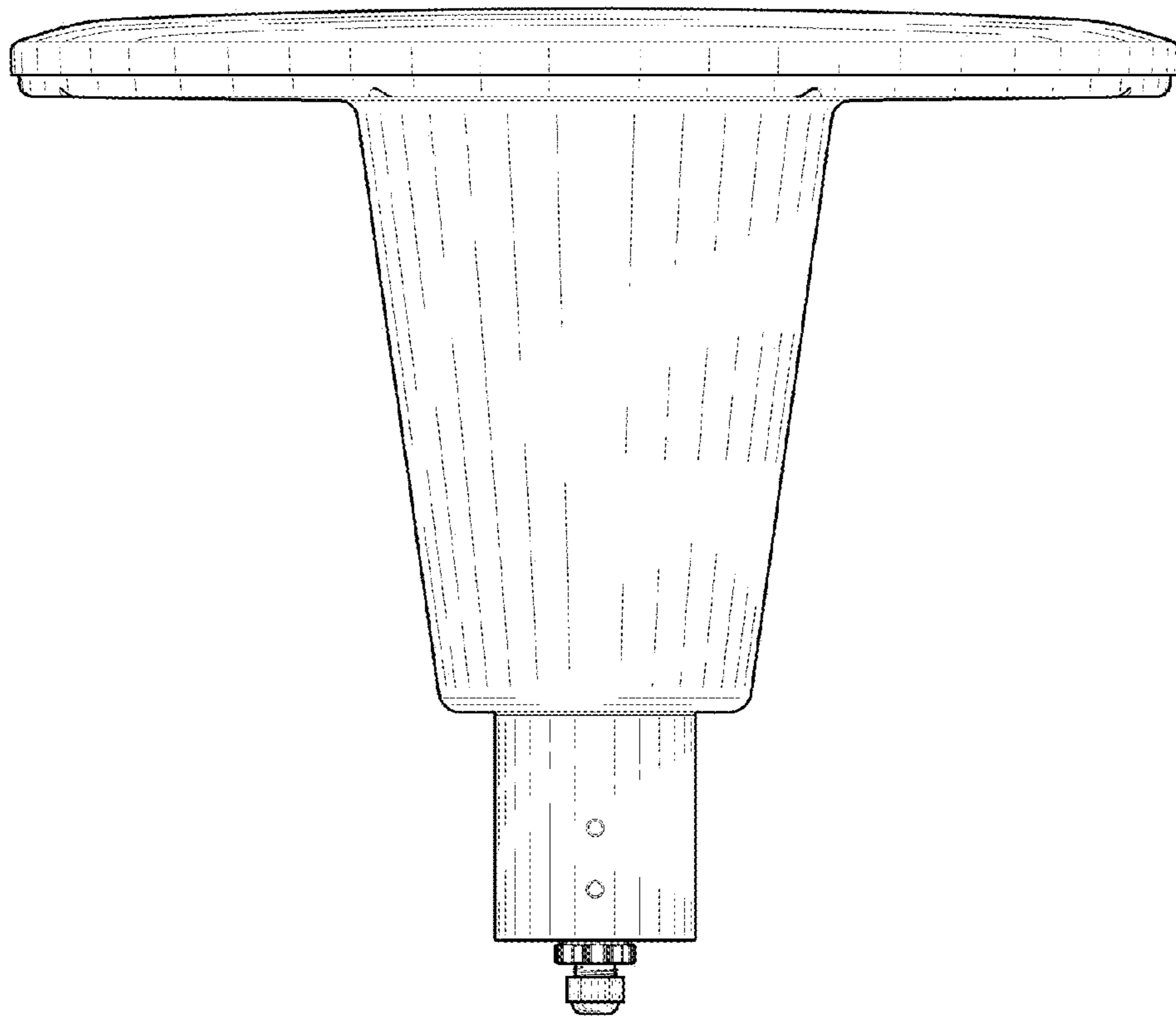


FIG. 3

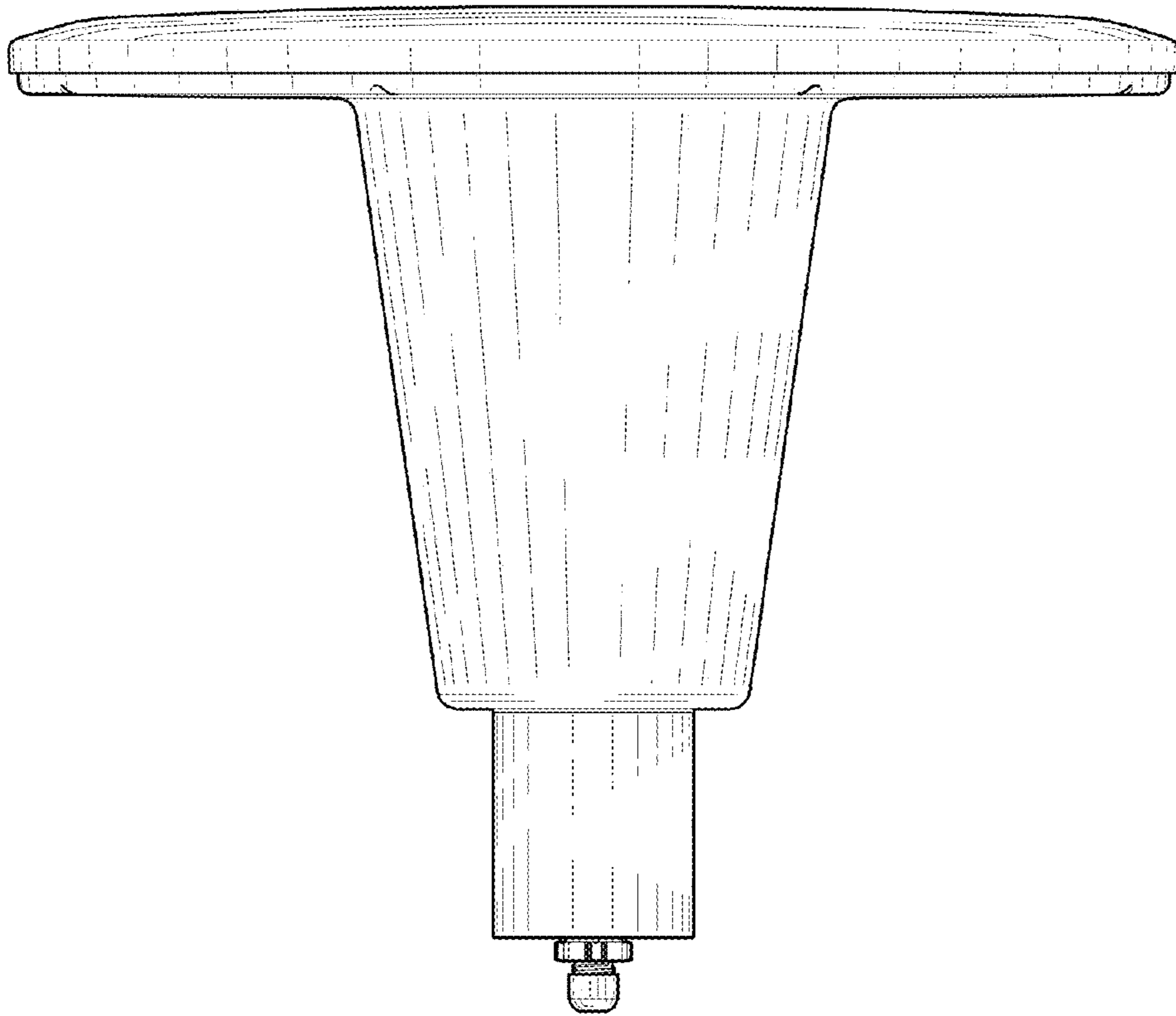


FIG. 4

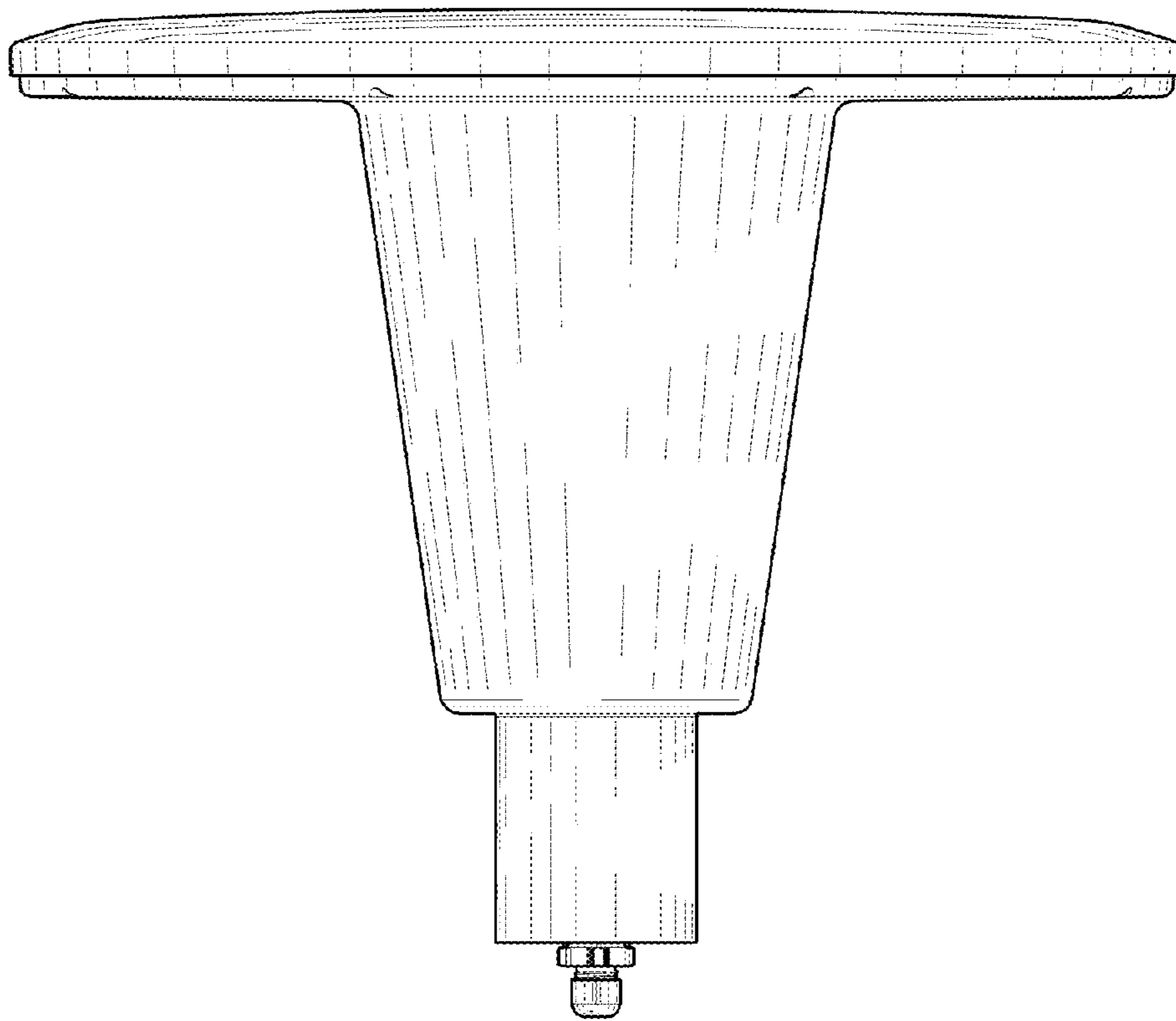


FIG. 5

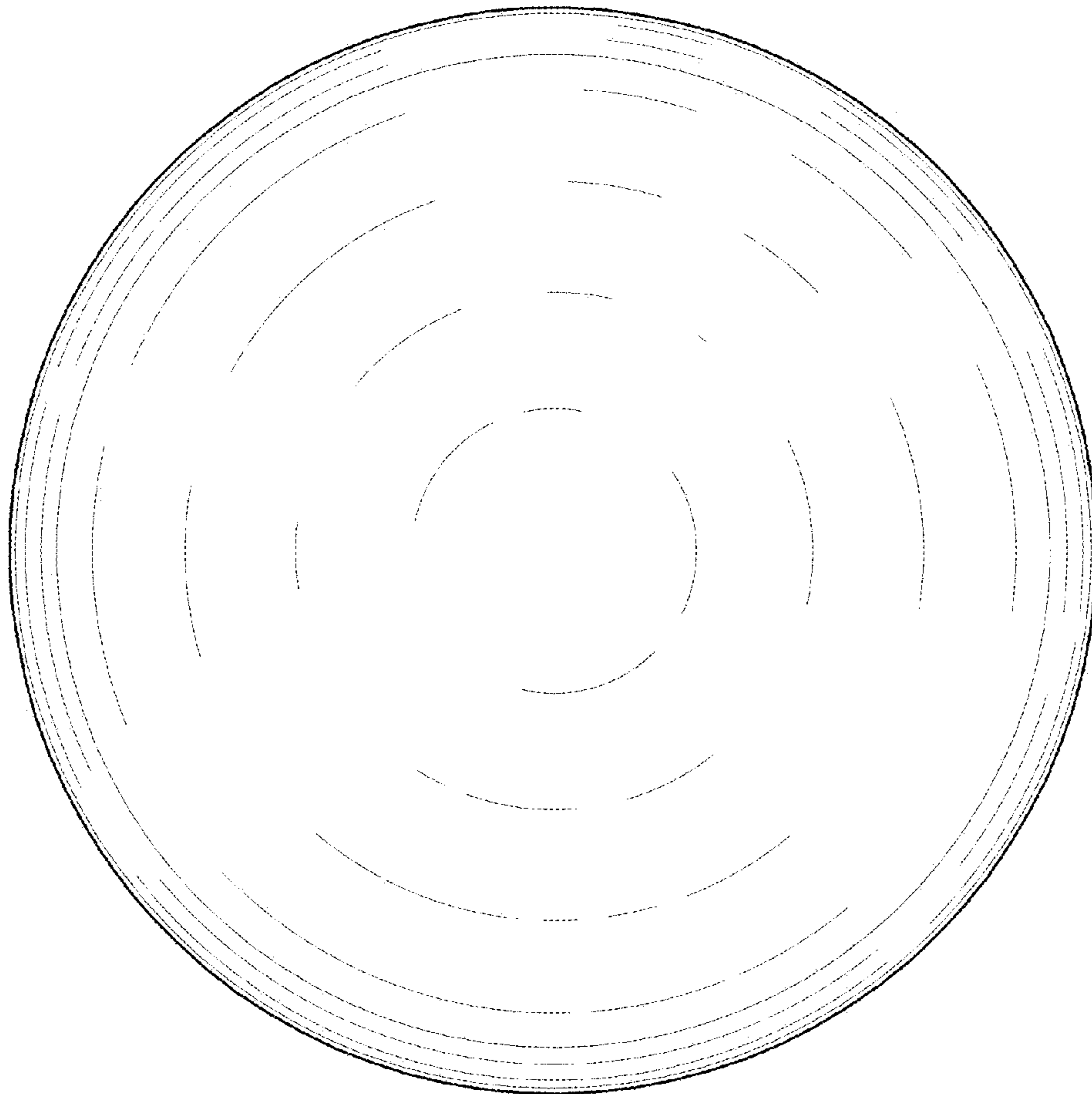


FIG. 6

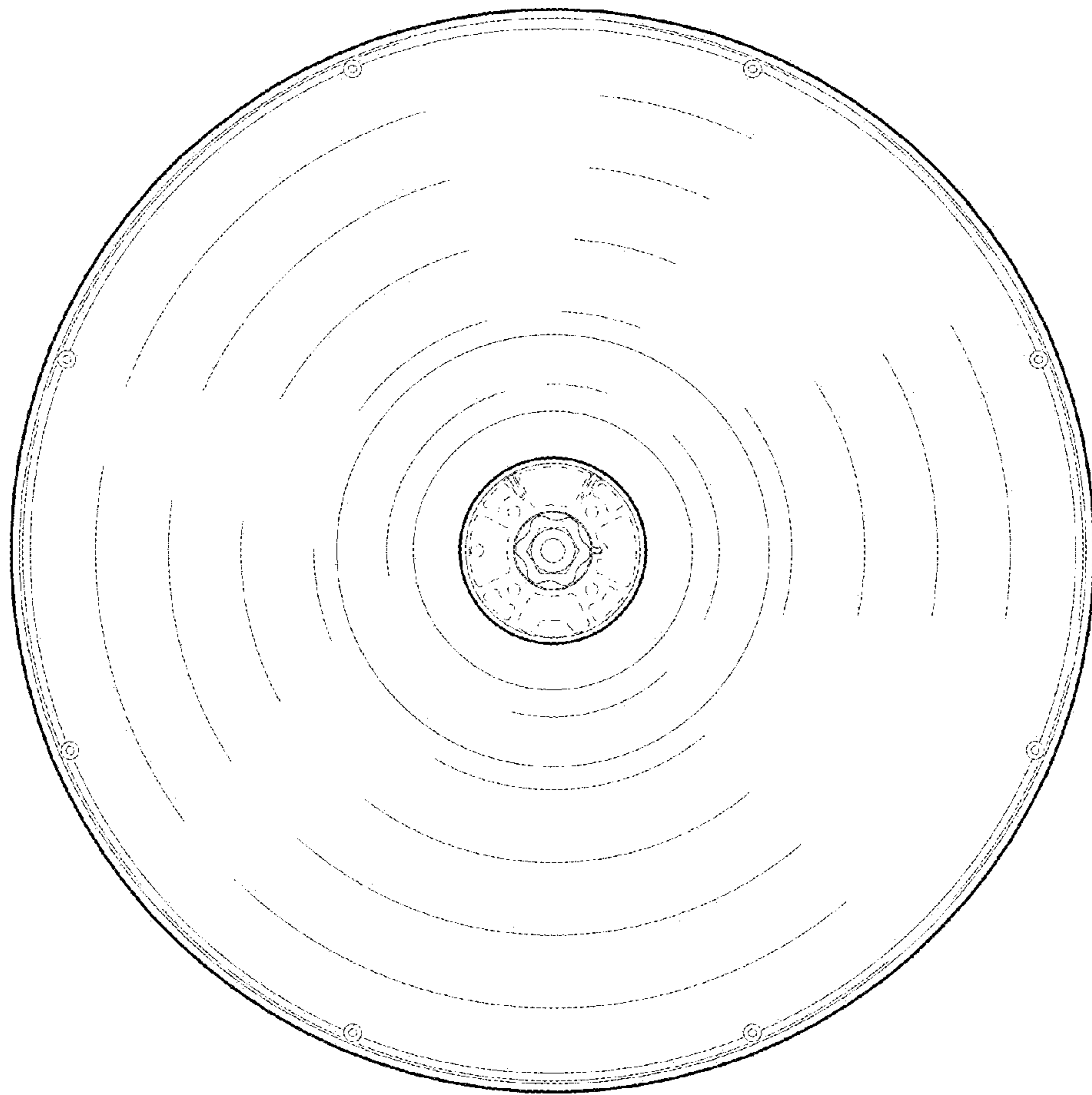


FIG. 7