



US00D739060S

(12) **United States Design Patent**
Chouprinov et al.

(10) **Patent No.:** **US D739,060 S**
(45) **Date of Patent:** **** Sep. 15, 2015**

(54) **COMBINED FLASHLIGHT AND STUN GUN**

(71) Applicants: **Pavel Chouprinov**, Johns Creek, GA (US); **Vladimir Chouprinov**, Johns Creek, GA (US)

(72) Inventors: **Pavel Chouprinov**, Johns Creek, GA (US); **Vladimir Chouprinov**, Johns Creek, GA (US)

(**) Term: **14 Years**

(21) Appl. No.: **29/473,298**

(22) Filed: **Nov. 20, 2013**

(51) **LOC (10) Cl.** **26-02**

(52) **U.S. Cl.**
USPC **D26/38; D22/117**

(58) **Field of Classification Search**
USPC D26/37, 38, 40, 46, 49, 51; 362/158, 362/157, 183, 184, 194–196, 200–208, 362/253; D22/117–120; D28/88–89
CPC F21L 2/00; F21L 4/00; F21L 4/005; F21L 17/00; F21L 13/08; F21L 2003/00; F21L 2005/00; F21V 33/00; F21V 14/025; F21V 21/406; F21Y 2101/02
See application file for complete search history.

(56) **References Cited**

U.S. PATENT DOCUMENTS

D375,372 S *	11/1996	Allen	D26/37
D425,226 S *	5/2000	Galli	D26/37
D532,138 S *	11/2006	Wang et al.	D26/49
D577,845 S *	9/2008	Shiu	D26/49
D599,928 S *	9/2009	Shiu	D26/49
D646,346 S *	10/2011	Rae	D22/117
D647,232 S *	10/2011	Liu	D26/49
D647,654 S *	10/2011	Li	D26/49
D671,249 S *	11/2012	Sheikh et al.	D26/38
D674,943 S *	1/2013	Sheikh et al.	D26/38
D688,402 S *	8/2013	Roshak et al.	D26/49
D690,383 S	9/2013	Sheikh et al.	

D691,691 S *	10/2013	Sheikh et al.	D22/117
D698,961 S *	2/2014	Dalton	D26/49
D706,897 S *	6/2014	Sheikh et al.	D22/117
D709,231 S *	7/2014	Nguyen	D26/49
D709,232 S *	7/2014	Inskeep	D26/49
D709,234 S *	7/2014	Inskeep	D26/49
D710,526 S *	8/2014	Lee	D26/49
D716,984 S *	11/2014	Inskeep	D26/49
D719,694 S *	12/2014	Nawaz	D26/38
D724,247 S *	3/2015	Chouprinov et al.	D26/38

OTHER PUBLICATIONS

Beststungun, “Guard dog Diablo Tactical Flashlight Stun Gun,” Beststungun website, Accessed on Nov. 19, 2013, available at <http://www.beststungun.com/diablo-flashlight-stun-gun.html>.
Stun Guns USA, “Guard Dog Mini 3.9 Million Volt Flashlight Stun Gun,” Accessed on Nov. 19, 2013, available at <http://www.stunguns-usa.com/stun-gun-flashlights>.

* cited by examiner

Primary Examiner — Ian Simmons
Assistant Examiner — Carissa C Fitts
(74) *Attorney, Agent, or Firm* — American Patent Agency PC; Daniar Hussain; Karl P. Dresdner, Jr.

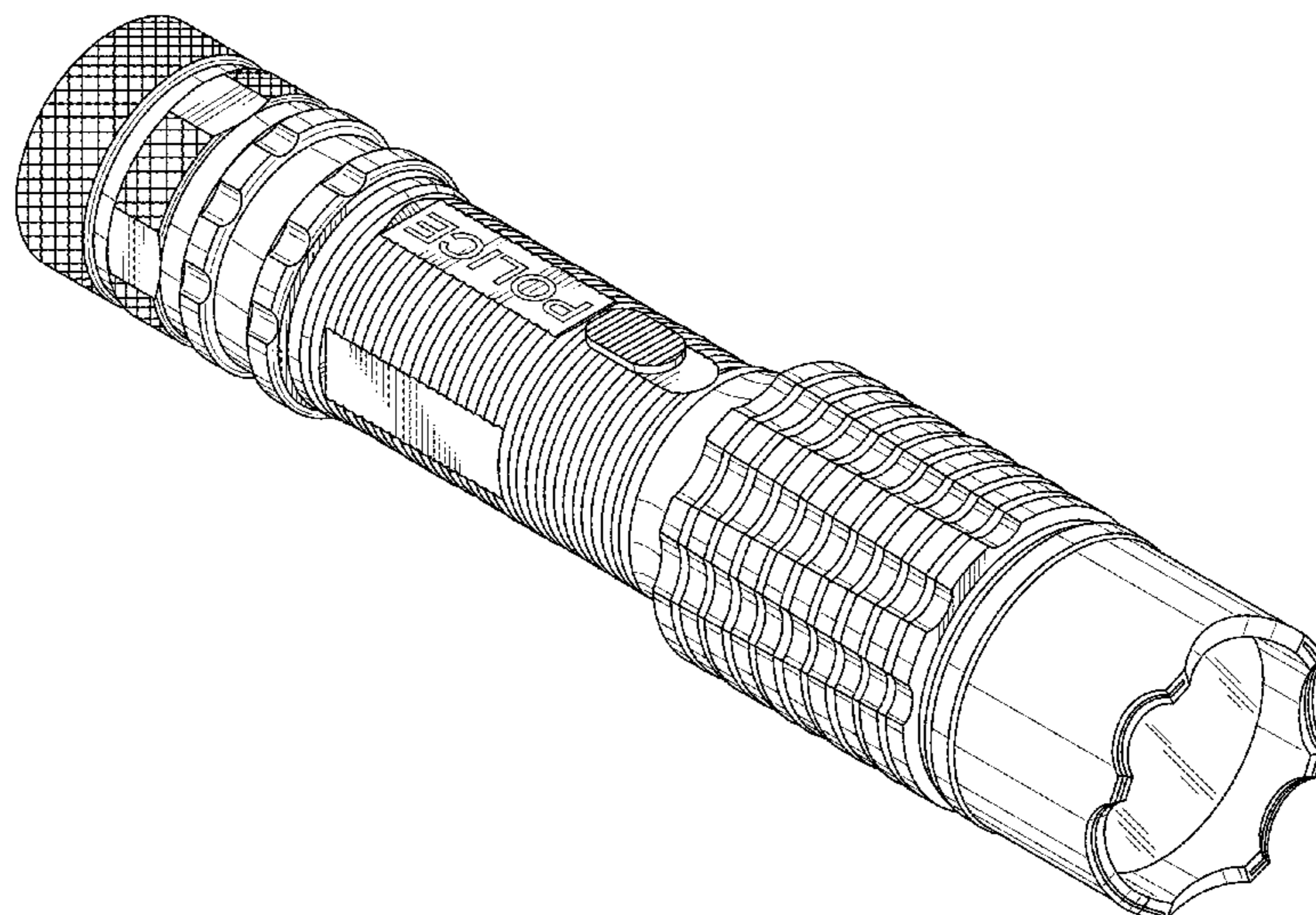
(57) **CLAIM**

The ornamental design for a combined flashlight and stun gun, as shown and described.

DESCRIPTION

FIG. 1 is a perspective view of a combined flashlight and stun gun, showing our novel design;
FIG. 2 is a top view thereof;
FIG. 3 is a bottom view thereof;
FIG. 4 is a right side view thereof;
FIG. 5 is a front view thereof;
FIG. 6 is a left side view thereof; and,
FIG. 7 is a rear view thereof.
The broken line showing in FIG. 3 represents unclaimed portions of the article and form no part of the claimed design.

1 Claim, 3 Drawing Sheets



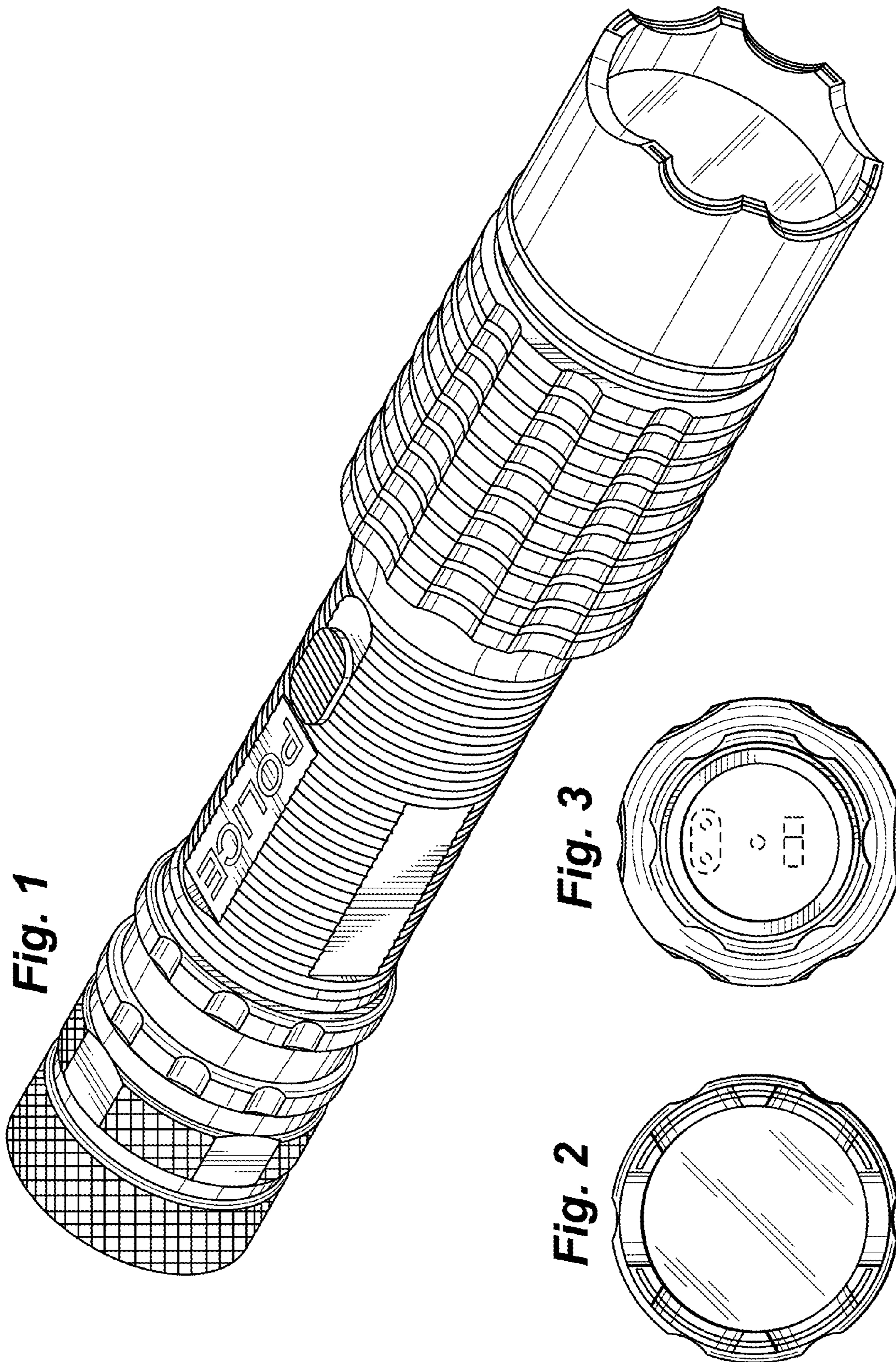


Fig. 4

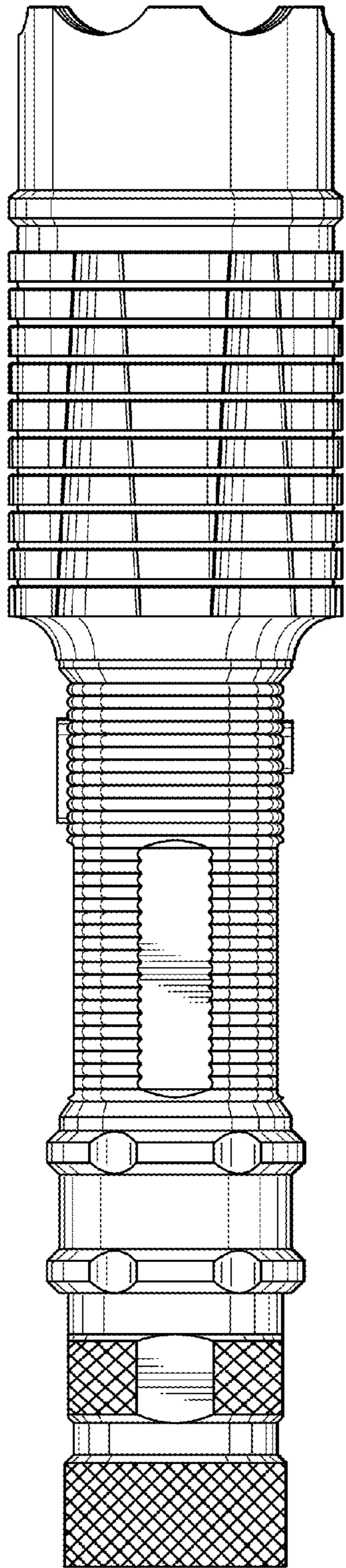


Fig. 5

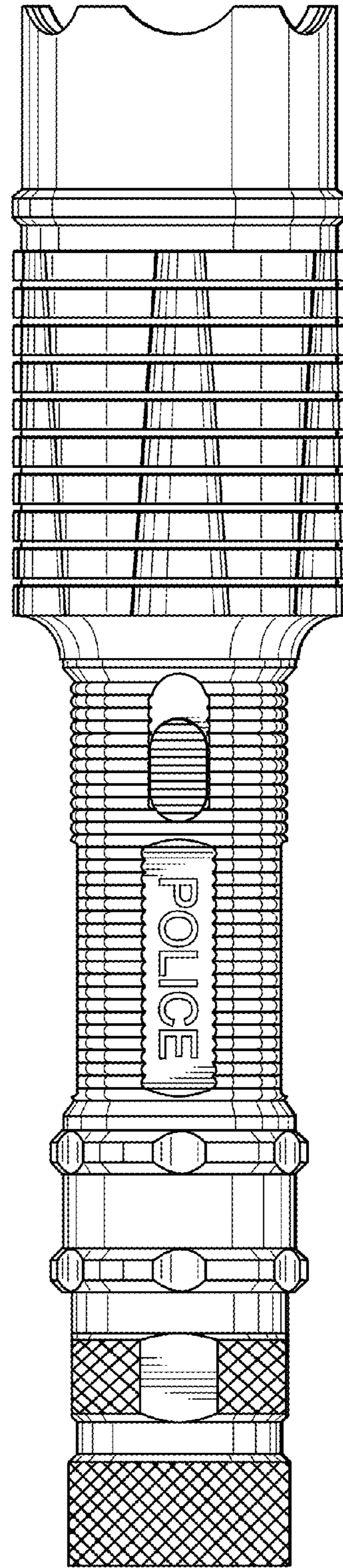


Fig. 6

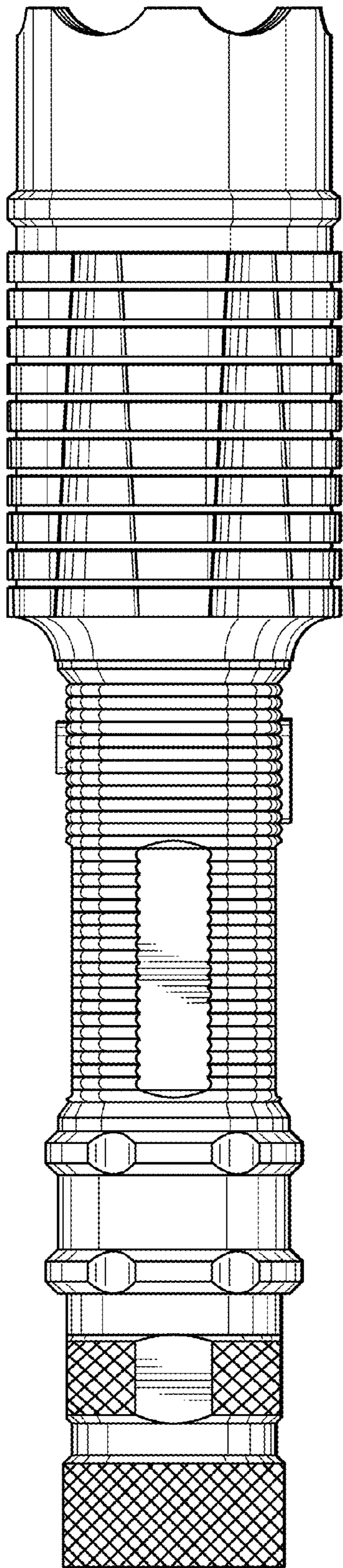


Fig. 7

