



US00D739059S

(12) **United States Design Patent**
Trauterer et al.

(10) **Patent No.:** **US D739,059 S**
(45) **Date of Patent:** **** Sep. 15, 2015**

(54) **LED LIGHTING UNIT**

(71) Applicant: **Tridonic Jennersdorf GMBH,**
Jennersdorf (AT)

(72) Inventors: **Hannes Trauterer,** Ottendorf (AT);
Bernhard Fink, Riegersburg (AT);
Florian Wimmer, Vienna (AT); **Jürgen**
Gumhold, Jennersdorf (AT); **Christian**
Fragner, Loipersdorf (AT)

(73) Assignee: **Tridonic Jennersdorf GMBH,**
Jennersdorf (AT)

(**) Term: **14 Years**

(21) Appl. No.: **29/468,045**

(22) Filed: **Sep. 26, 2013**

(30) **Foreign Application Priority Data**

Mar. 28, 2013 (EM) 001 365 936

(51) **LOC (10) Cl.** **26-02**

(52) **U.S. Cl.**
USPC **D26/37**

(58) **Field of Classification Search**
USPC D26/1, 37-50; 362/171, 174-208
See application file for complete search history.

(56) **References Cited**

U.S. PATENT DOCUMENTS

D383,228 S * 9/1997 Petruzzi D26/37
D390,677 S * 2/1998 Hanewinkel, III D26/37

(Continued)

Primary Examiner — Marcus Jackson

(74) *Attorney, Agent, or Firm* — Marshall, Gerstein & Borun
LLP

(57) **CLAIM**

The ornamental design for an LED lighting unit, as shown.

DESCRIPTION

FIG. 1 is a front, left-side, and top isometric view showing the new LED lighting unit.

FIG. 2 is a top plan view of the LED lighting unit.

FIG. 3 is a right-side elevation view of the LED lighting unit.

FIG. 4 is a front elevation view of the LED lighting unit.

FIG. 5 is a left-side elevation view of the LED lighting unit.

FIG. 6 is a back elevation view of the LED lighting unit.

FIG. 7 is a bottom plan view of the LED lighting unit.

FIG. 8 is a front, left-side, and top isometric view of a second embodiment of the LED lighting unit.

FIG. 9 is a top plan view of the LED lighting unit.

FIG. 10 is a right-side elevation view of the LED lighting unit.

FIG. 11 is a front elevation view of the LED lighting unit.

FIG. 12 is a left-side elevation view of the LED lighting unit.

FIG. 13 is a back elevation view of the LED lighting unit.

FIG. 14 is a bottom plan view of the LED lighting unit.

FIG. 15 is a front, left-side, and top isometric view of an alternate embodiment of the LED lighting unit.

FIG. 16 is a top plan view of the LED lighting unit.

FIG. 17 is a right-side elevation view of the LED lighting unit.

FIG. 18 is a front elevation view of the LED lighting unit.

FIG. 19 is a left-side elevation view of the LED lighting unit.

FIG. 20 is a back elevation view of the LED lighting unit.

FIG. 21 is a bottom plan view of the LED lighting unit.

FIG. 22 is a front, left-side, and top isometric view of a second embodiment of the LED lighting unit of FIGS. 15-21.

FIG. 23 is a top plan view of the LED lighting unit.

FIG. 24 is a right-side elevation view of the LED lighting unit.

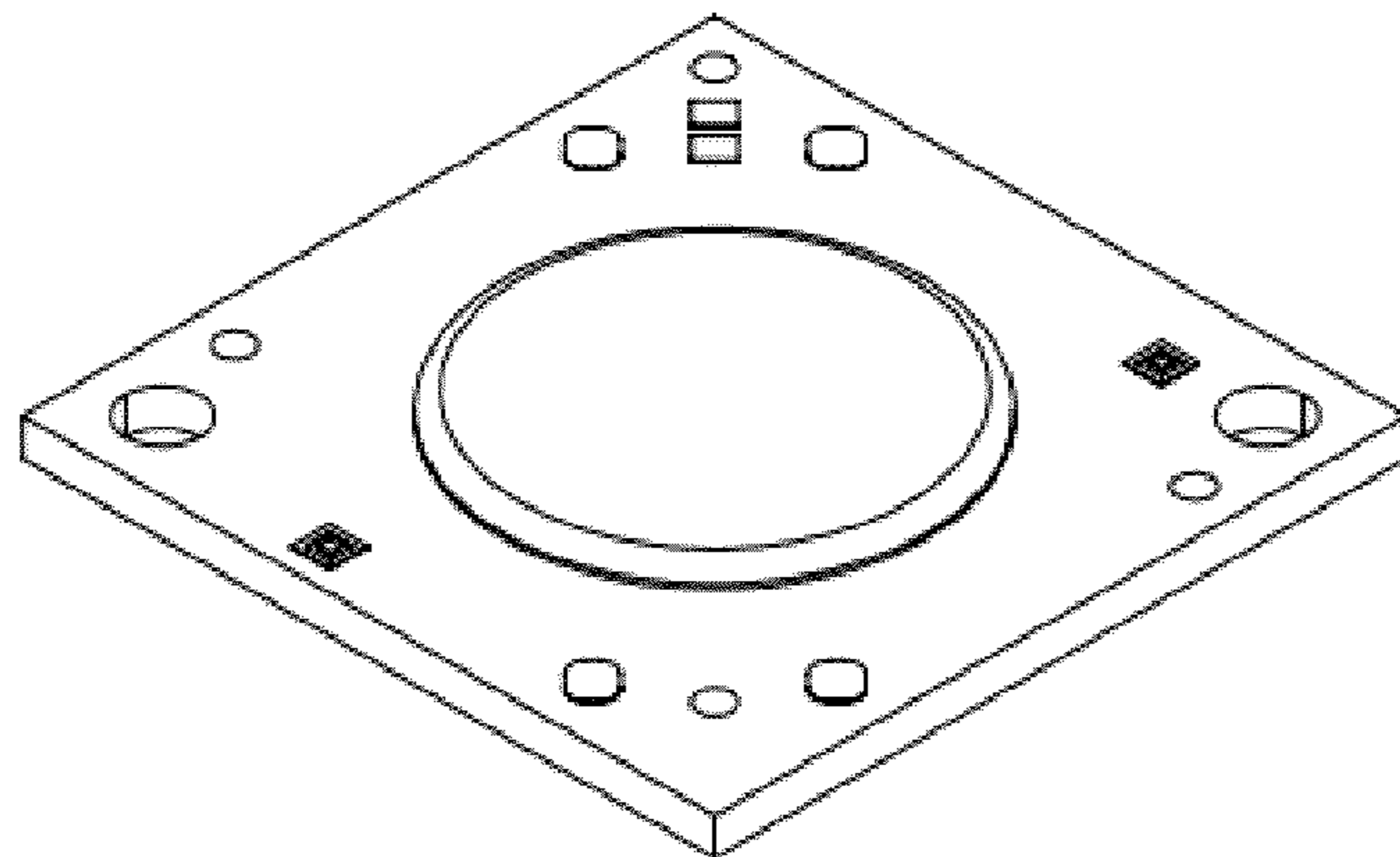
FIG. 25 is a front elevation view of the LED lighting unit.

FIG. 26 is a left-side elevation view of the LED lighting unit.

FIG. 27 is a back elevation view of the LED lighting unit; and,

FIG. 28 is a bottom plan view of the LED lighting unit.

1 Claim, 8 Drawing Sheets



US D739,059 S

Page 2

(56)

References Cited

U.S. PATENT DOCUMENTS

D410,759 S *	6/1999	Petruzzi	D26/37
D435,675 S *	12/2000	Sinclair	D26/37
D496,479 S *	9/2004	Ashfield	D26/37
D402,067 S *	12/1998	Sinclair	D26/37

* cited by examiner

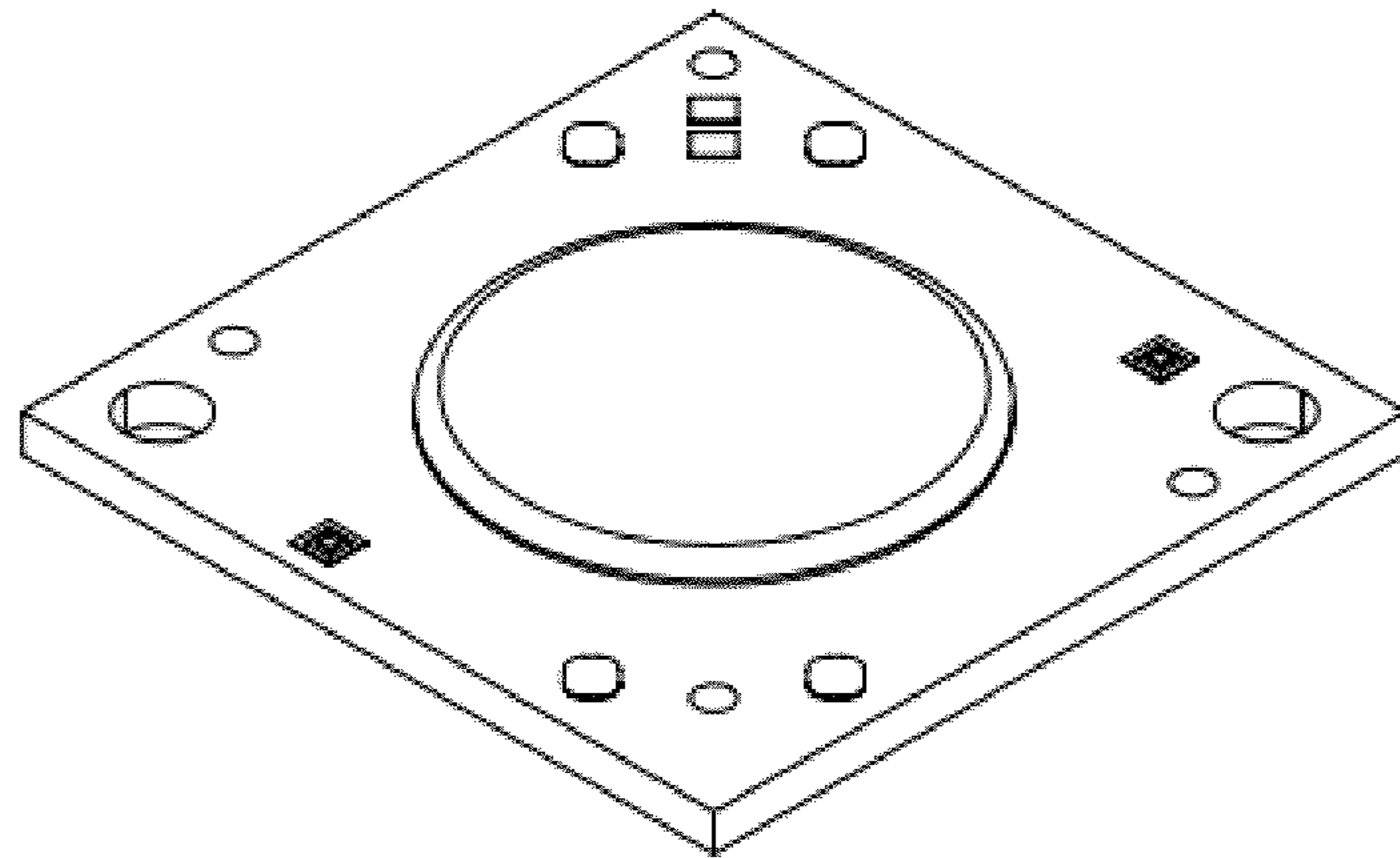


Fig. 1

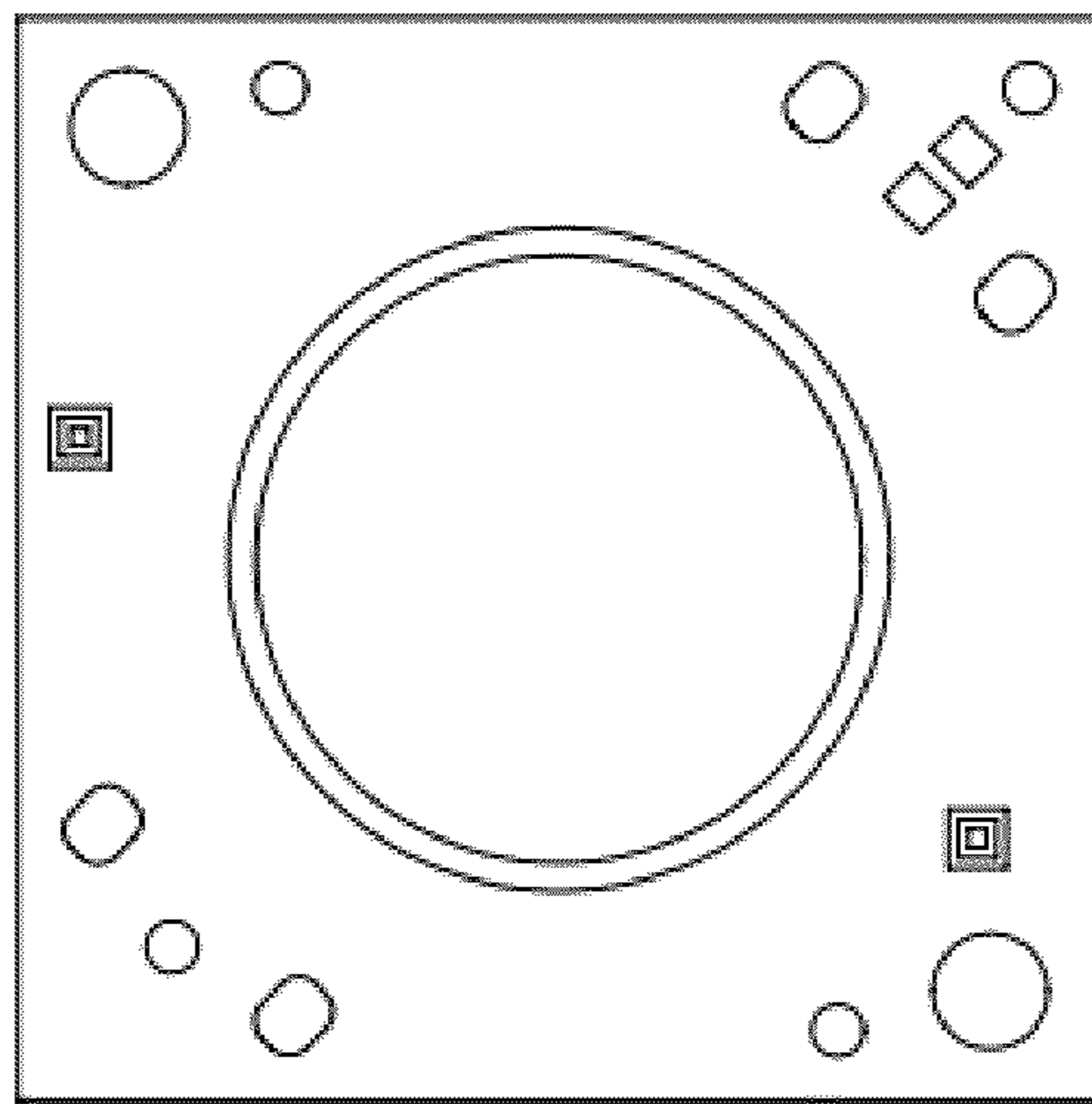


Fig. 2

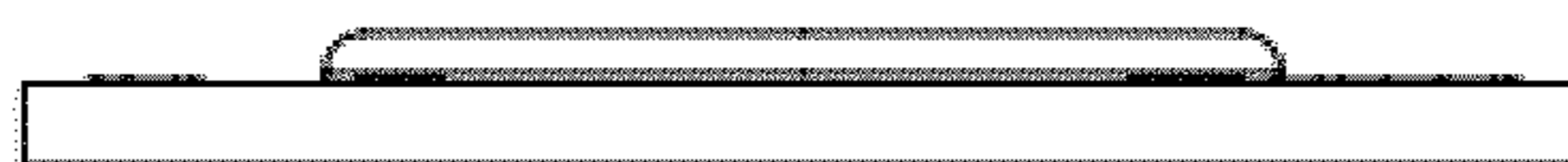


Fig. 3



Fig. 4



Fig. 5



Fig. 6

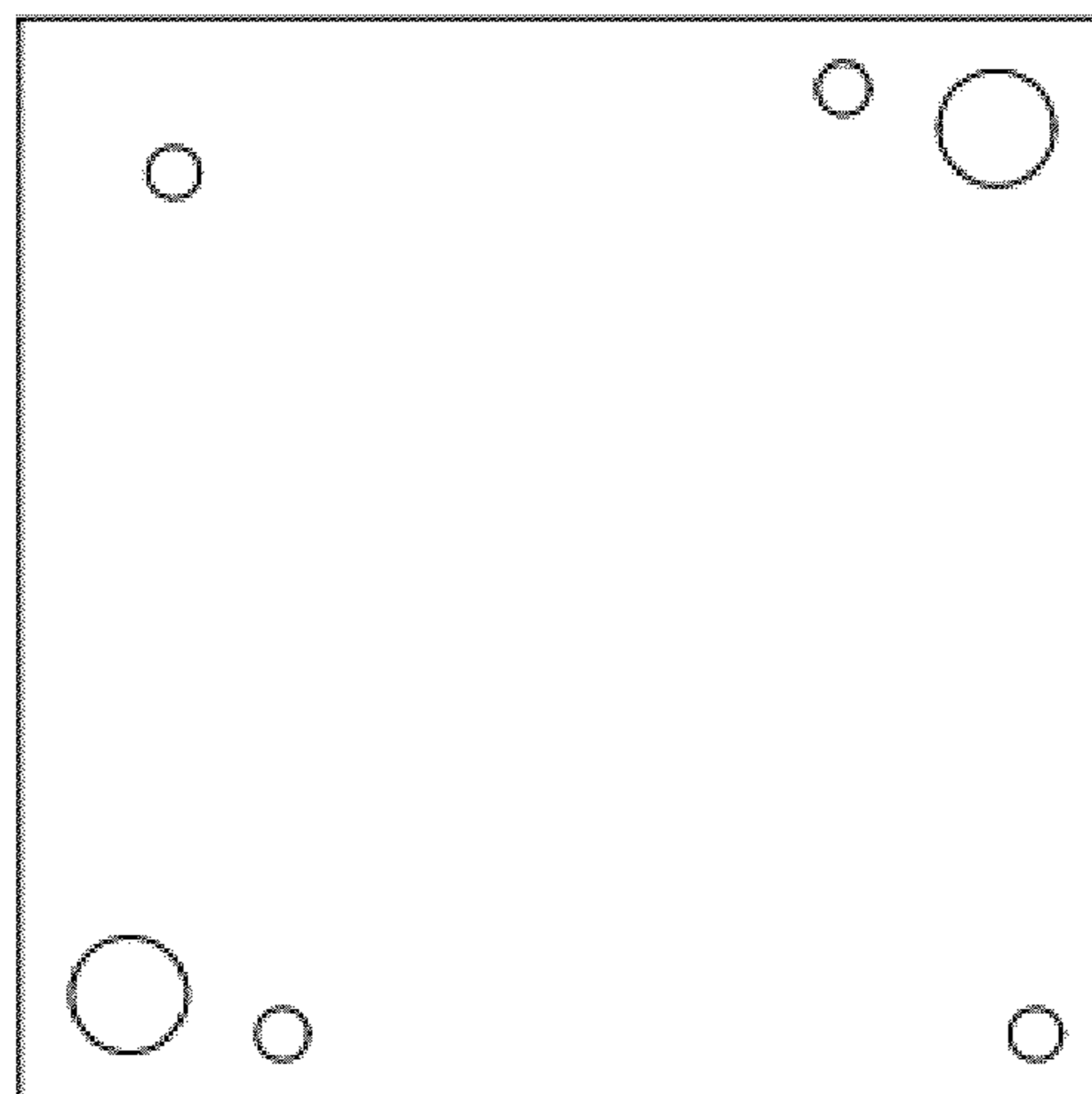


Fig. 7

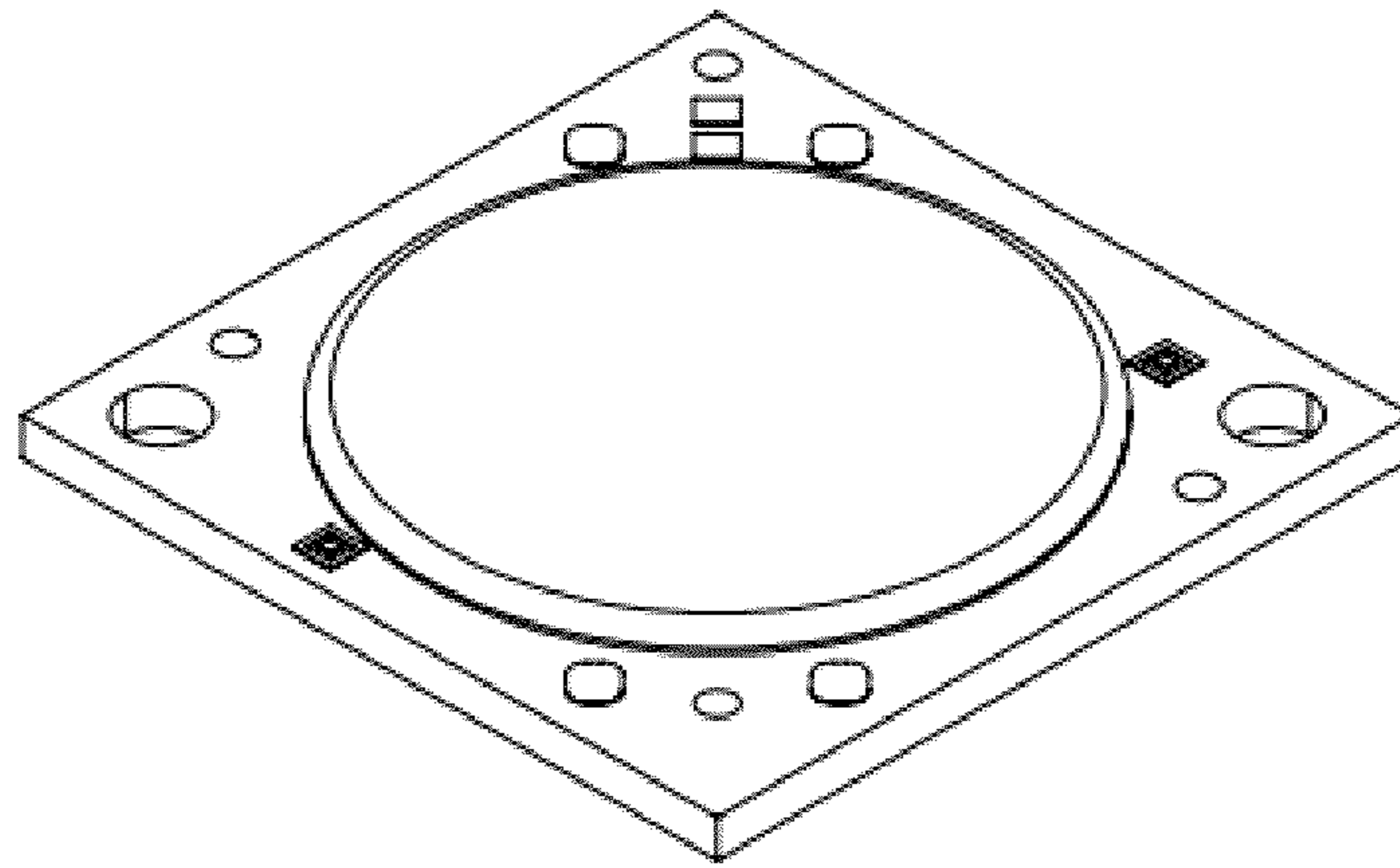


Fig. 8

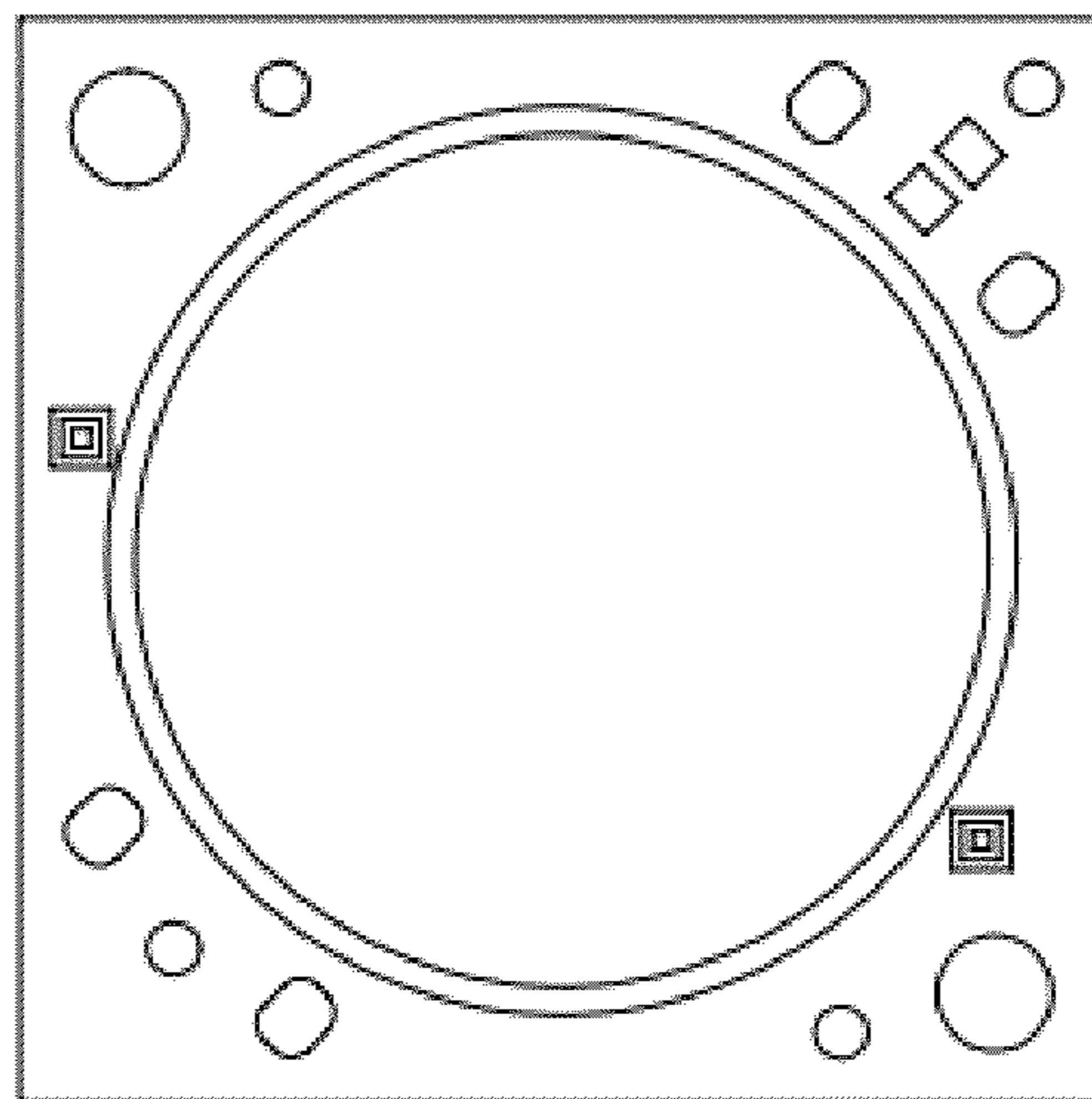


Fig. 9

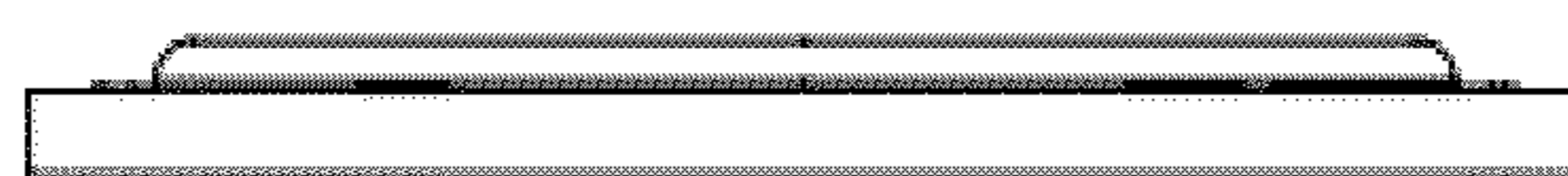


Fig. 10



Fig. 11



Fig. 12



Fig. 13

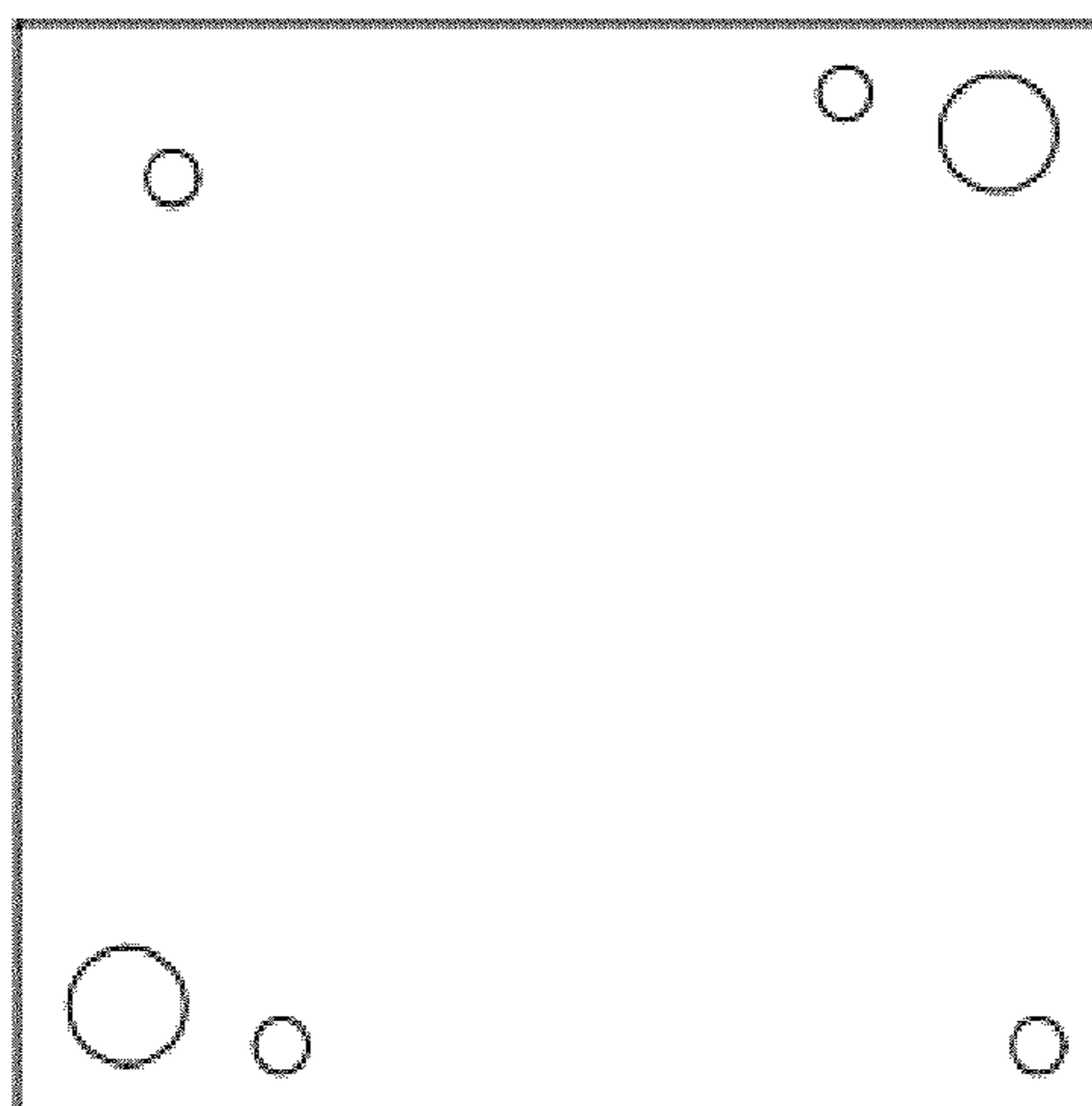


Fig. 14

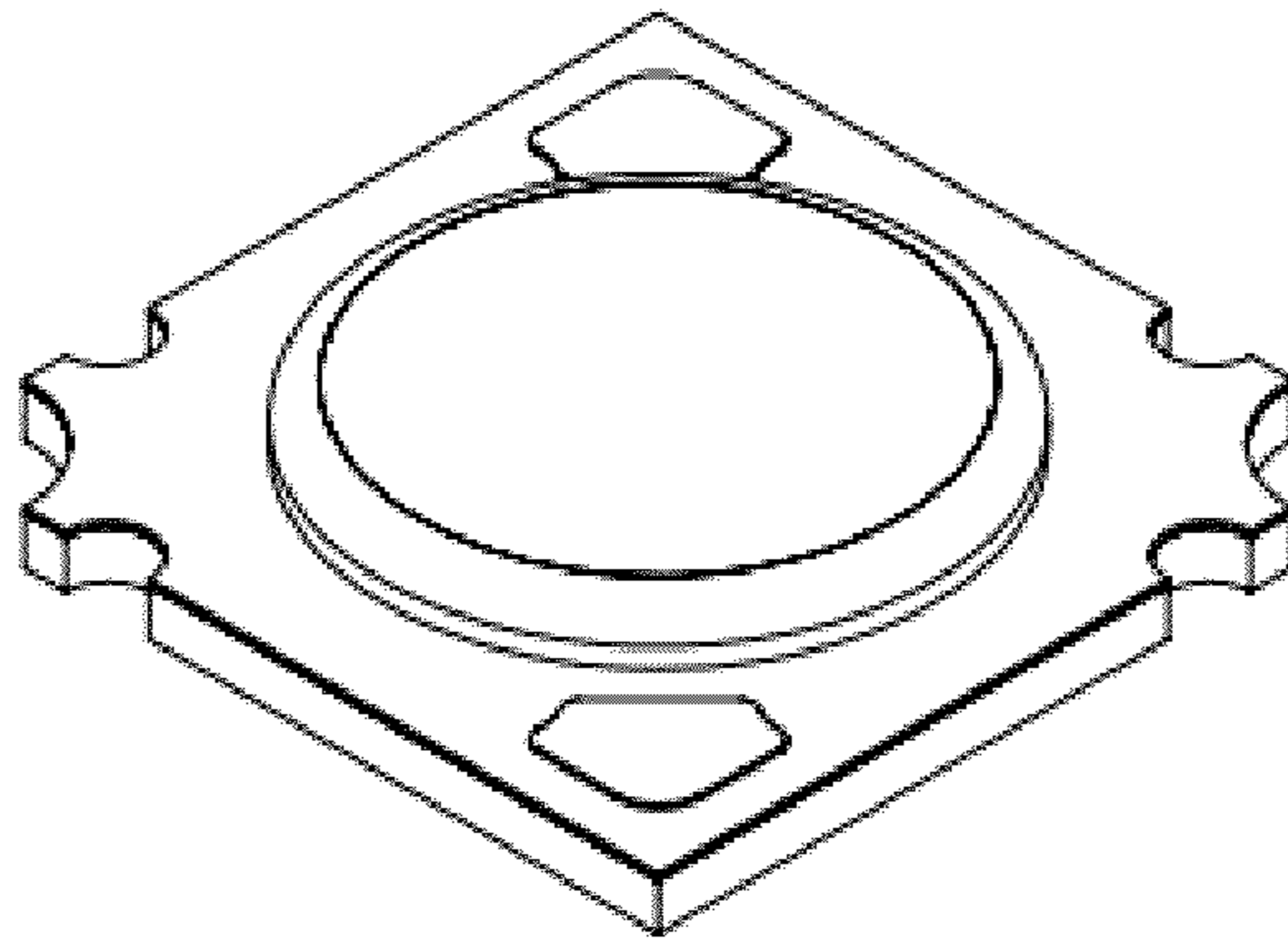


Fig. 15

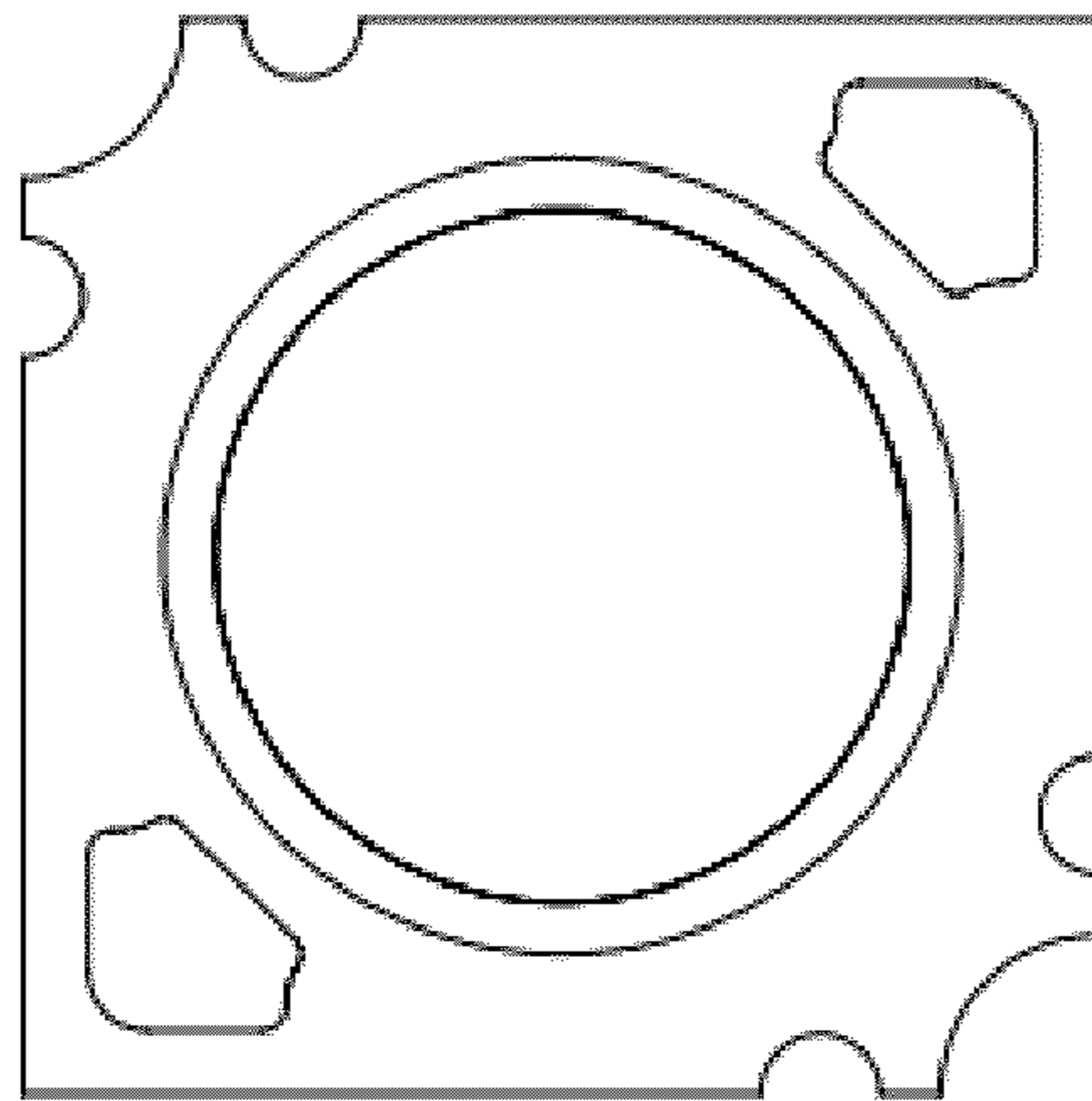


Fig. 16

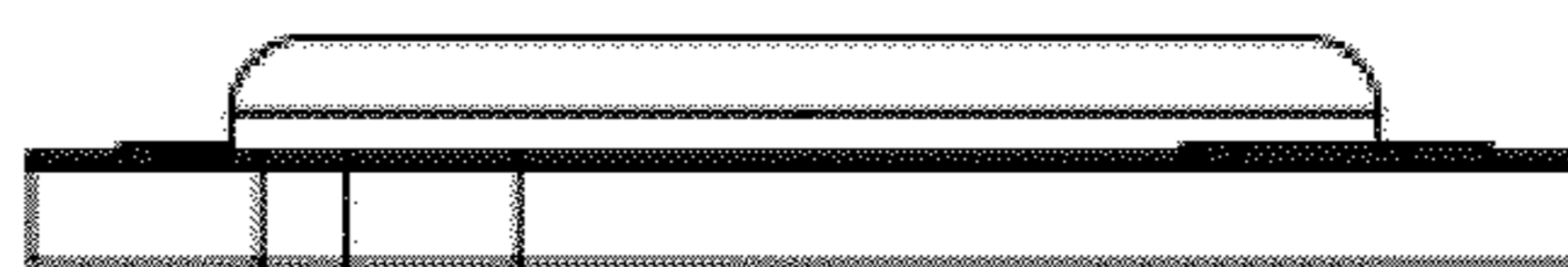


Fig. 17



Fig. 18

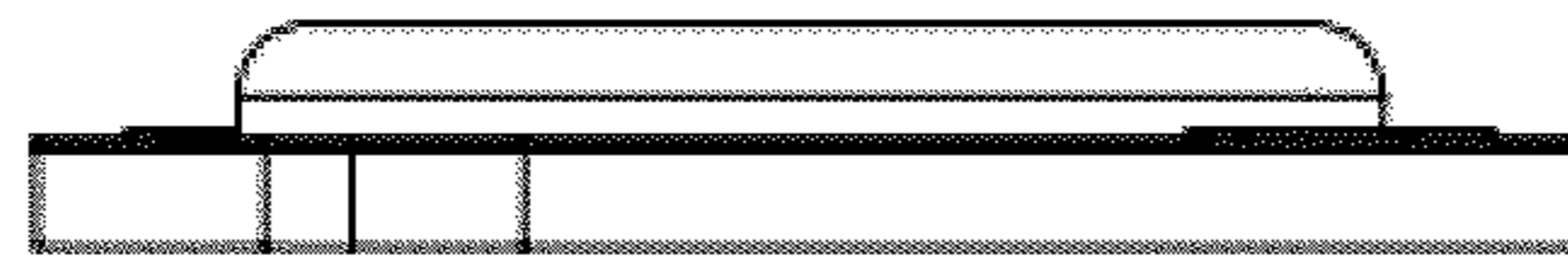


Fig. 19

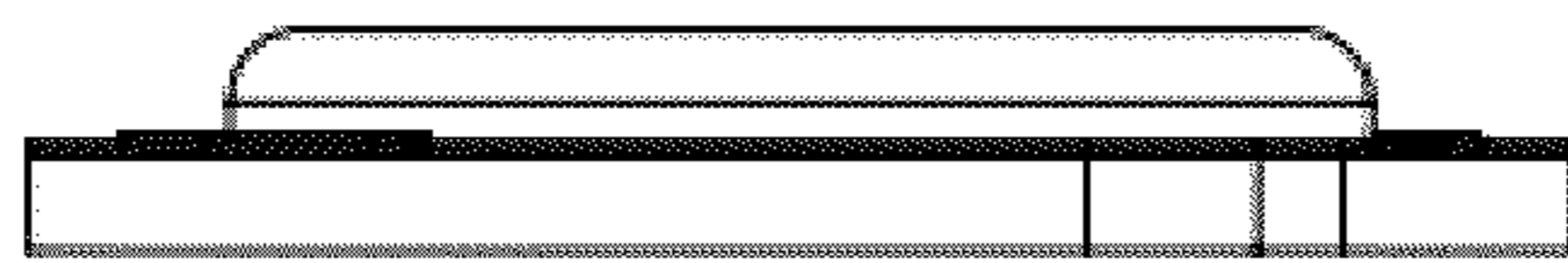


Fig. 20

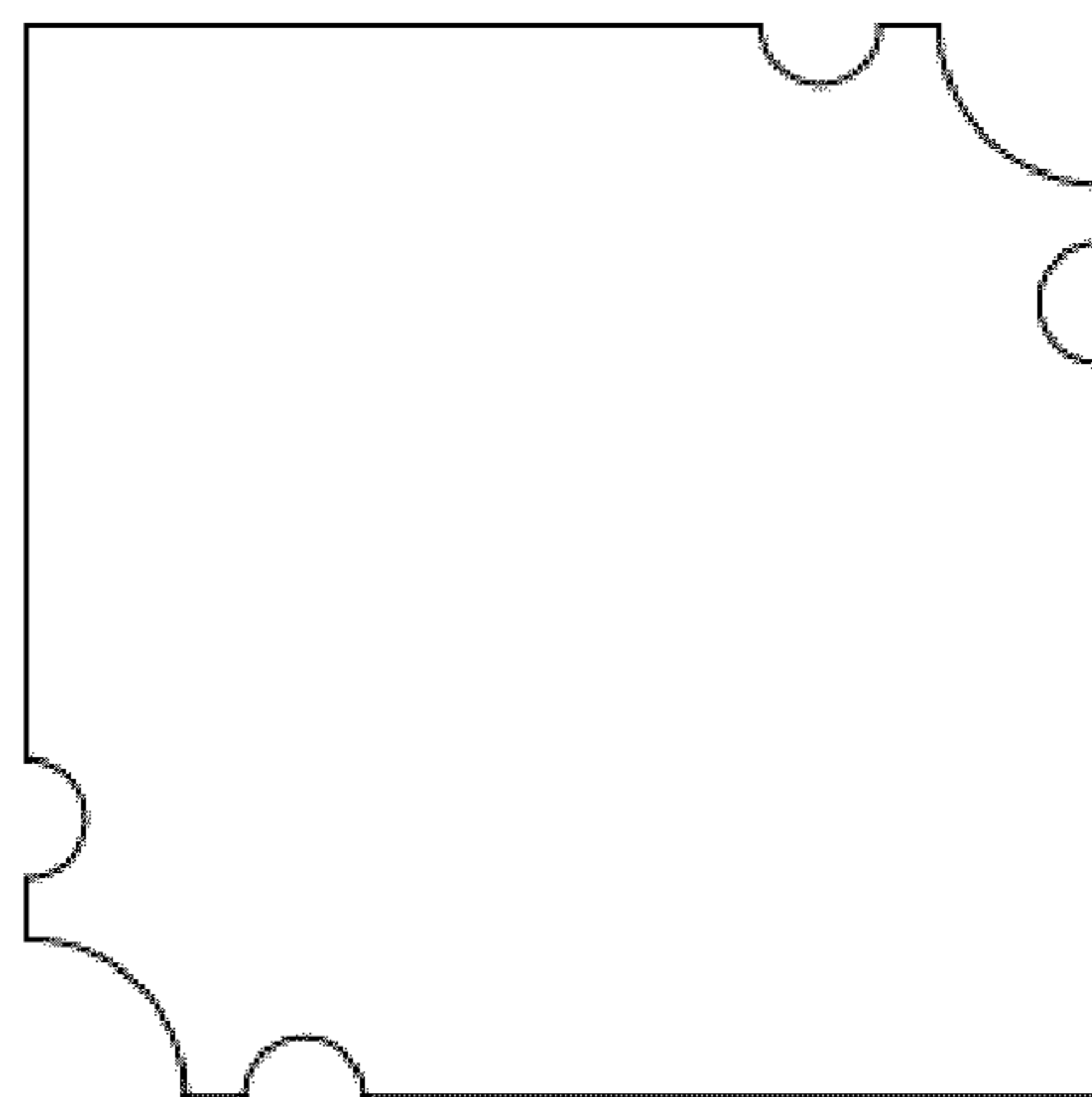


Fig. 21

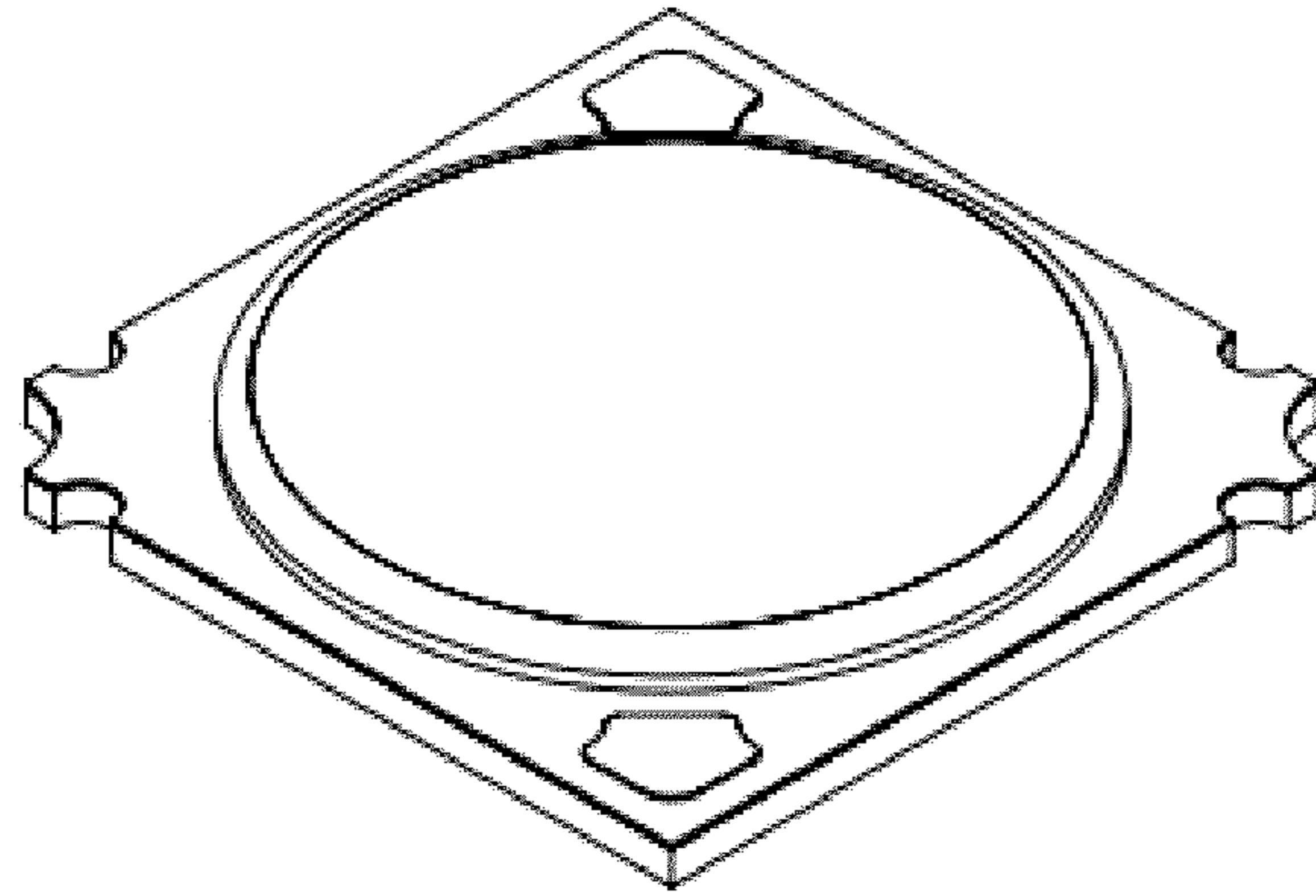


Fig. 22

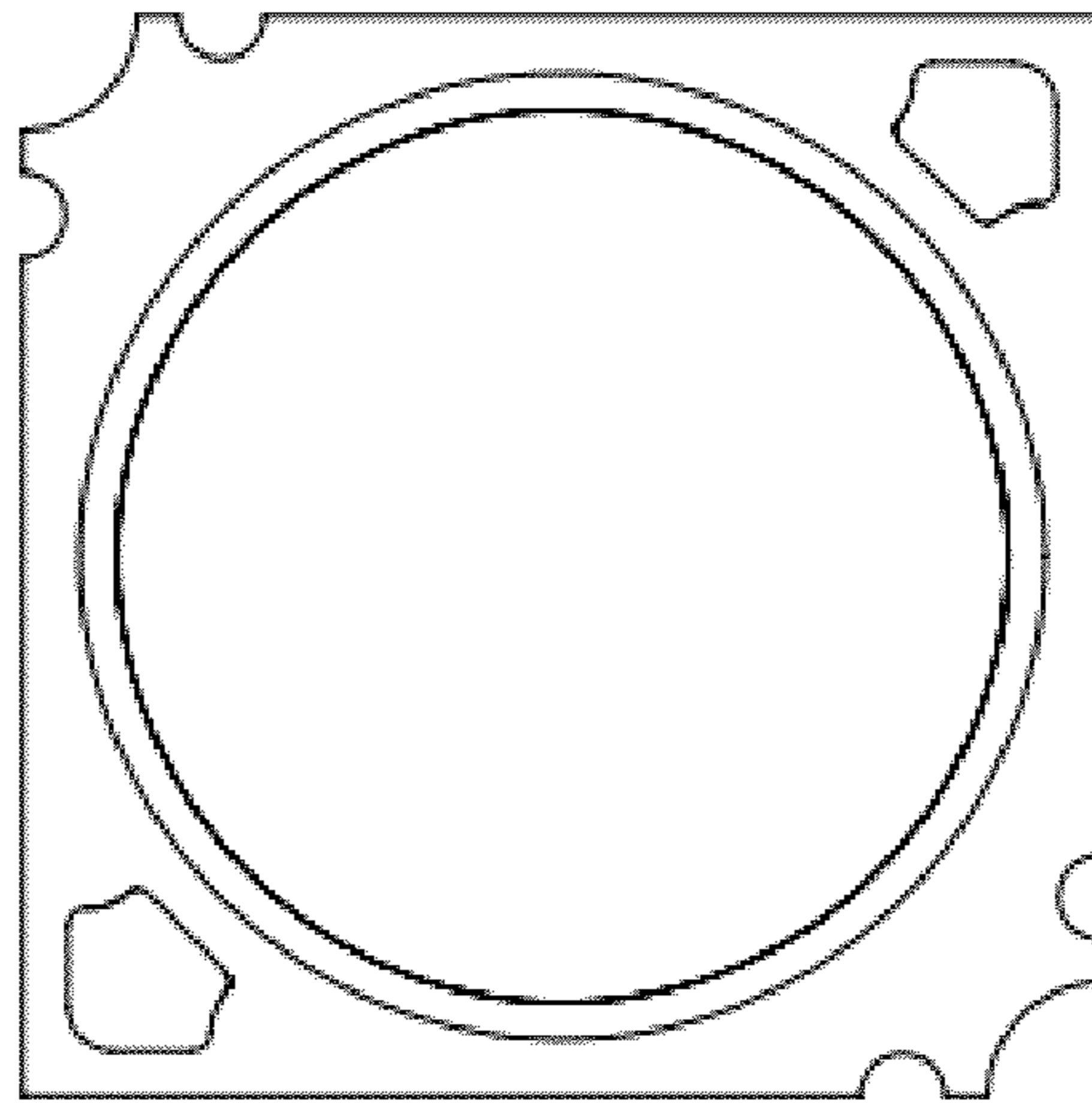


Fig. 23

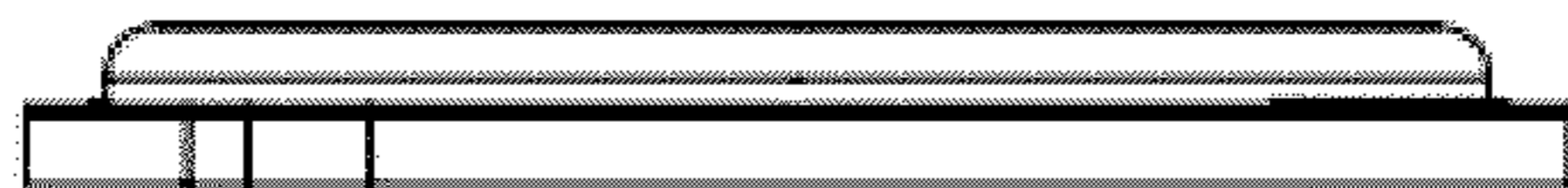


Fig. 24



Fig. 25

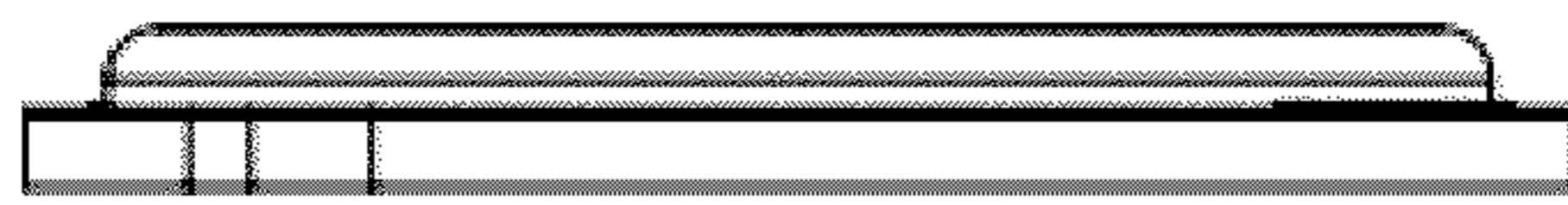


Fig. 26

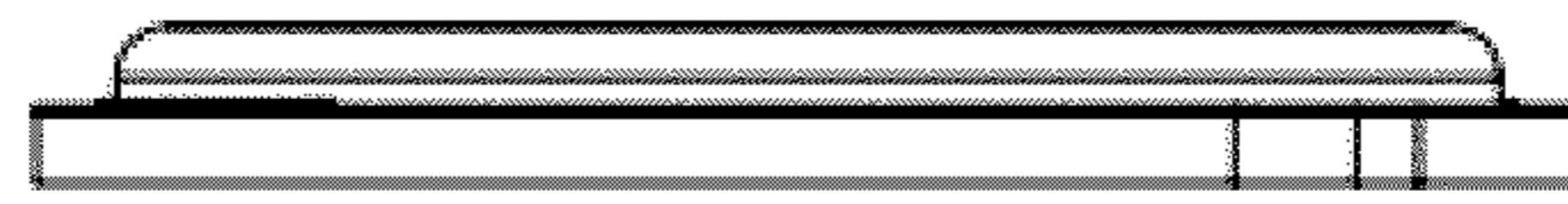


Fig. 27

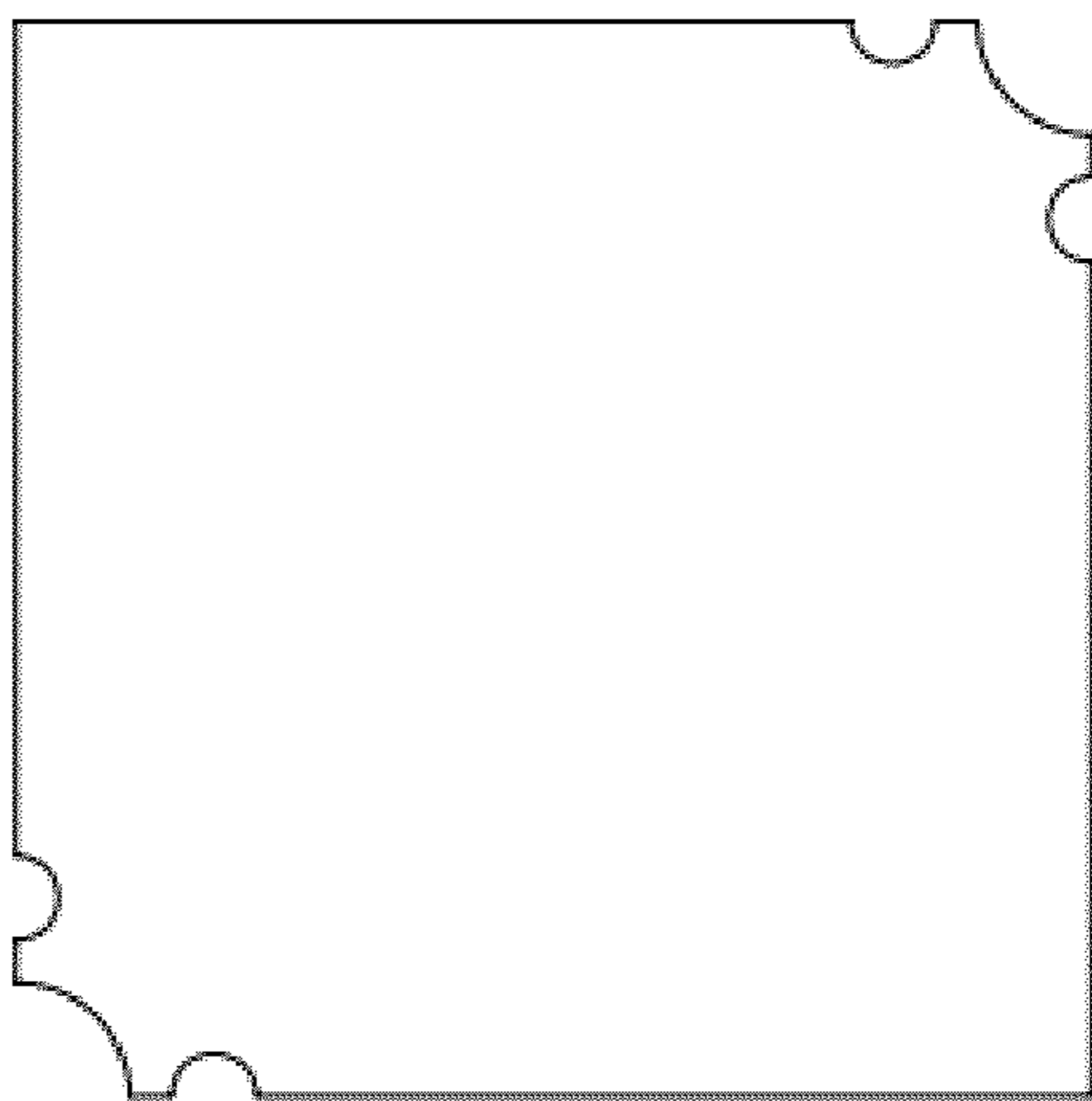


Fig. 28

UNITED STATES PATENT AND TRADEMARK OFFICE
CERTIFICATE OF CORRECTION

PATENT NO. : D739,059 S
APPLICATION NO. : 29/468045
DATED : September 15, 2015
INVENTOR(S) : Trauterer et al.


Page 1 of 1

It is certified that error appears in the above-identified patent and that said Letters Patent is hereby corrected as shown below:

On the Title Page

Item (72) Inventor is corrected to read:
-- Hannes Trauterer, Ottendorf, AT;
Bernhard Fink, Riegersburg, AT --.

Signed and Sealed this
Second Day of October, 2018



Andrei Iancu
Director of the United States Patent and Trademark Office