



US00D739057S

(12) **United States Design Patent**
Park et al.

(10) **Patent No.:** **US D739,057 S**

(45) **Date of Patent:** **** Sep. 15, 2015**

(54) **HEAD LAMP FOR AUTOMOBILES**

(71) Applicant: **Hyundai Motor Company**, Seoul (KR)

(72) Inventors: **Sung-Ho Park**, Gyeonggi-Do (KR);
Seung-Tack Hong, Seoul (KR)

(73) Assignee: **Hyundai Motor Company**, Seoul (KR)

(**) Term: **14 Years**

(21) Appl. No.: **29/463,590**

(22) Filed: **Jan. 9, 2014**

(30) **Foreign Application Priority Data**

Jul. 10, 2013 (KR) 30-2013-0035352

(51) **LOC (10) Cl.** **26-06**

(52) **U.S. Cl.**
USPC **D26/28**

(58) **Field of Classification Search**
USPC D26/28-36; 362/459-476, 485-487,
362/543-549

CPC F21S 48/2281; F21S 48/00; F21S 48/225;
F21S 48/2268; F21S 48/1233; F21S 48/1266;
F21S 48/1388; F21V 21/04

See application file for complete search history.

(56) **References Cited**

U.S. PATENT DOCUMENTS

D597,231 S *	7/2009	Hanaoka	D26/28
D640,812 S *	6/2011	Cho et al.	D26/28
D652,551 S *	1/2012	Cho et al.	D26/28
D655,835 S *	3/2012	Park et al.	D26/28
D656,641 S *	3/2012	Oya et al.	D26/28
D664,690 S *	7/2012	Kim et al.	D26/28
D665,110 S *	8/2012	Svensson et al.	D26/28
D677,409 S *	3/2013	Binder et al.	D26/28
D679,429 S *	4/2013	Frenzel et al.	D26/28
D683,484 S *	5/2013	Lee et al.	D26/28
D683,485 S *	5/2013	Lee et al.	D26/28
D685,117 S *	6/2013	Cogswell	D26/28
D685,935 S *	7/2013	Redlich	D26/28

D685,937 S *	7/2013	Suzuki	D26/28
D695,935 S *	12/2013	Ueda	D26/28
D702,380 S *	4/2014	Kobayashi	D26/28
D703,349 S *	4/2014	Borkert	D26/28
D709,633 S *	7/2014	Kabata	D26/28
D714,977 S *	10/2014	Lee et al.	D26/28
D714,980 S *	10/2014	Kogawa	D26/28
D715,978 S *	10/2014	Loeb	D26/28
D715,981 S *	10/2014	Moon et al.	D26/28
D717,980 S *	11/2014	Lai	D26/28
D718,479 S *	11/2014	Lai	D26/28
D720,870 S *	1/2015	Lim et al.	D26/28
D720,871 S *	1/2015	Lim et al.	D26/28
D721,195 S *	1/2015	Lim et al.	D26/28
2013/0215633 A1 *	8/2013	Wuerthele et al.	362/543
2014/0247615 A1 *	9/2014	Fadi et al.	362/511

* cited by examiner

Primary Examiner — Cynthia Ramirez

Assistant Examiner — Llorellys Martinez-Rivera

(74) *Attorney, Agent, or Firm* — Mintz Levin Cohn Ferris
Glovsky and Popeo, P.C.; Kongsik Kim

(57) **CLAIM**

The ornamental design for a head lamp for automobiles, as shown and described.

DESCRIPTION

FIG. 1 is a perspective view of a head lamp for automobiles according to the present invention.

FIG. 2 is a front view of the head lamp for automobiles of FIG. 1.

FIG. 3 is a rear view of the head lamp for automobiles of FIG. 1.

FIG. 4 is a left side view of the head lamp for automobiles of FIG. 1.

FIG. 5 is a right side view of the head lamp for automobiles of FIG. 1.

FIG. 6 is a top view of the head lamp for automobiles of FIG. 1; and,

FIG. 7 is a bottom view of the head lamp for automobiles of FIG. 1.

1 Claim, 7 Drawing Sheets

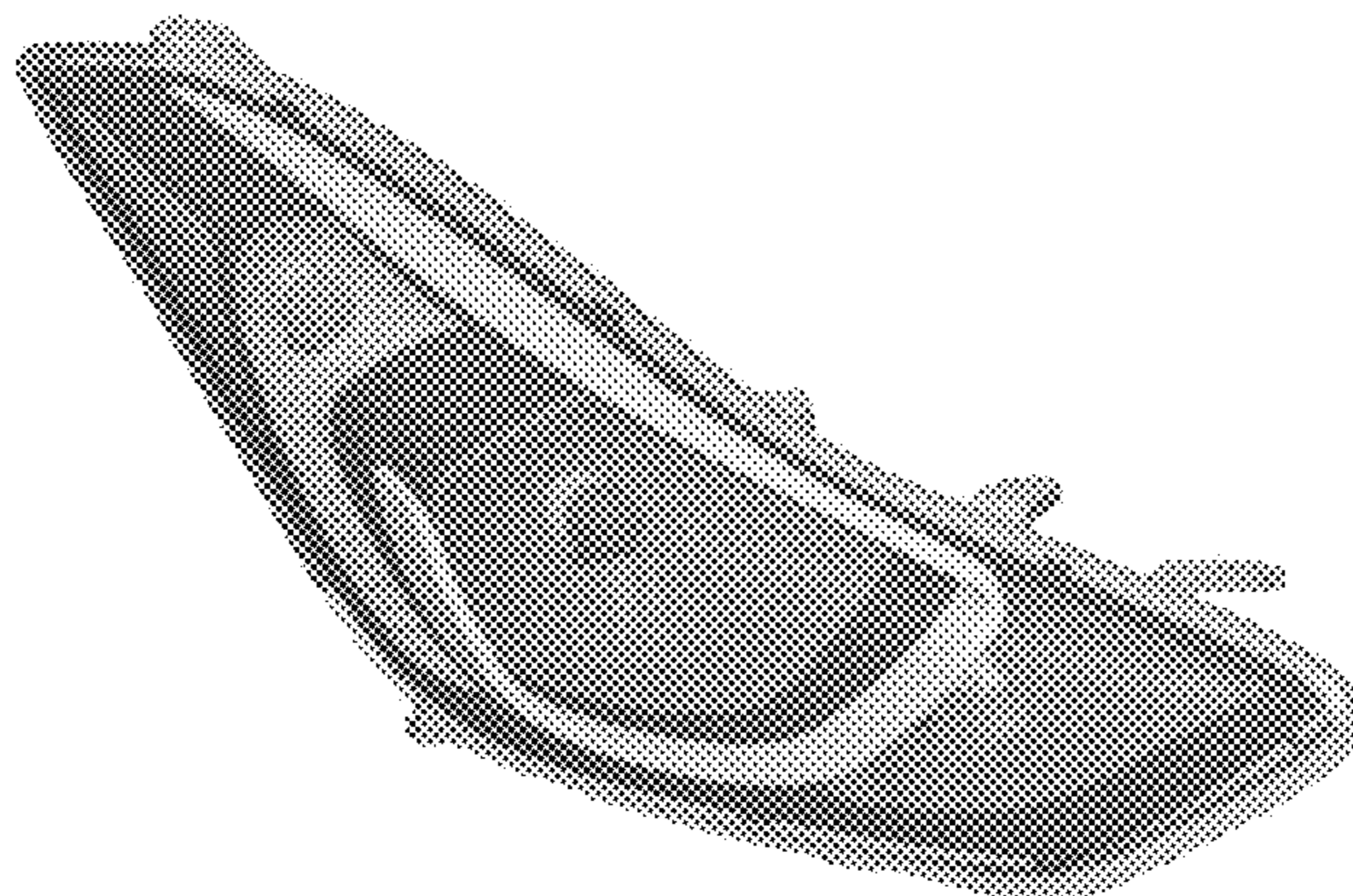


FIG. 1

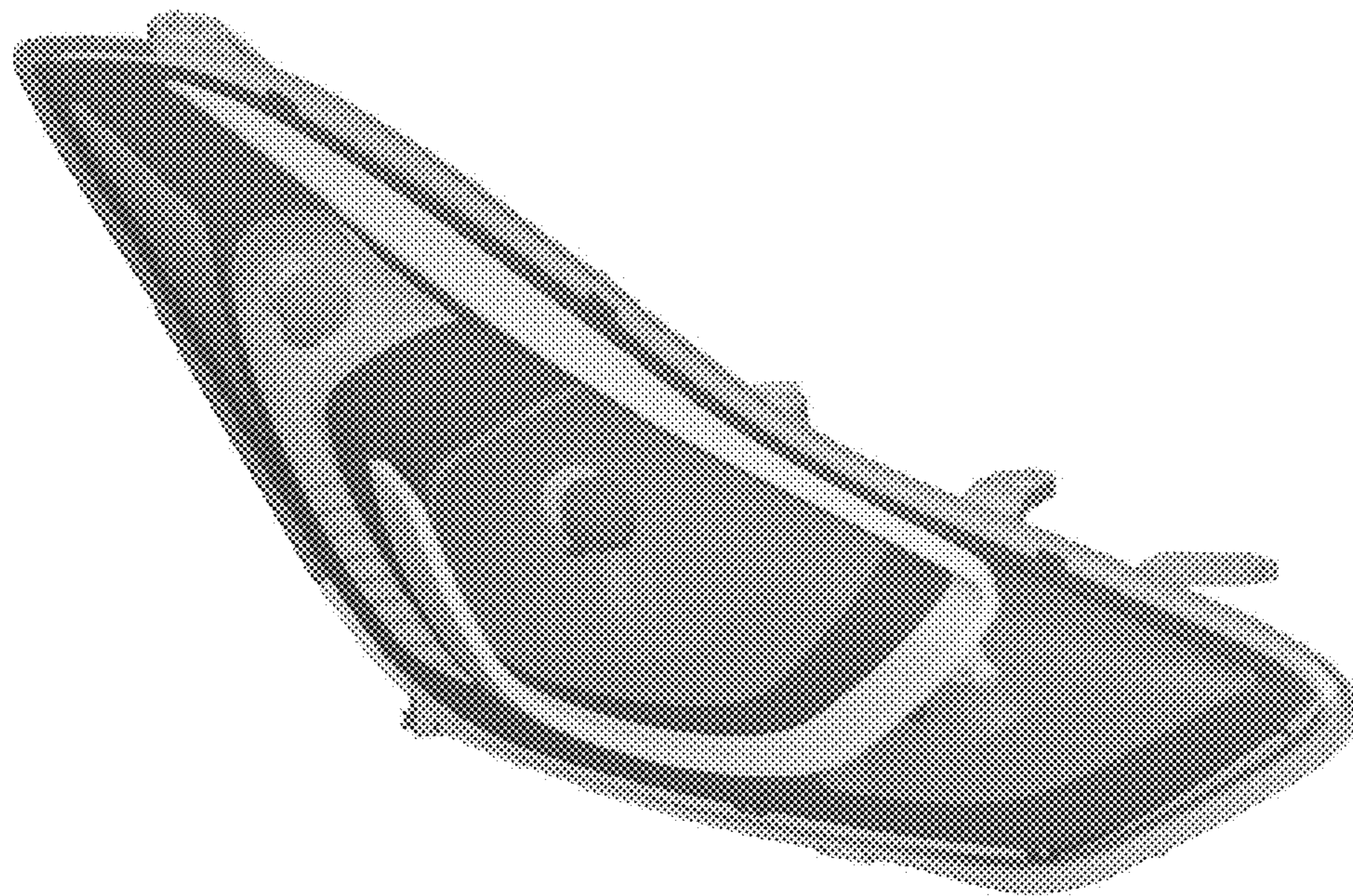


FIG. 2

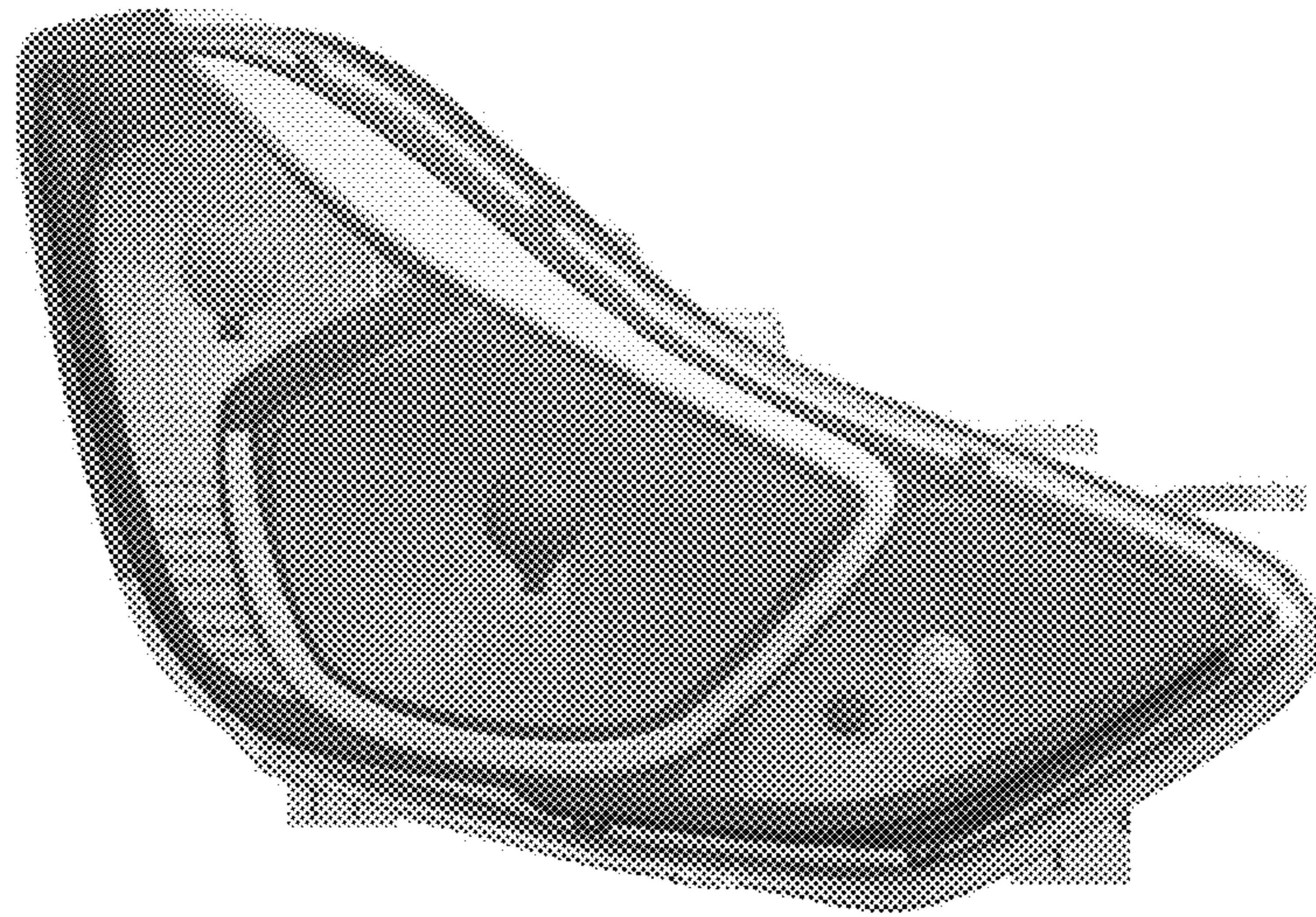


FIG. 3

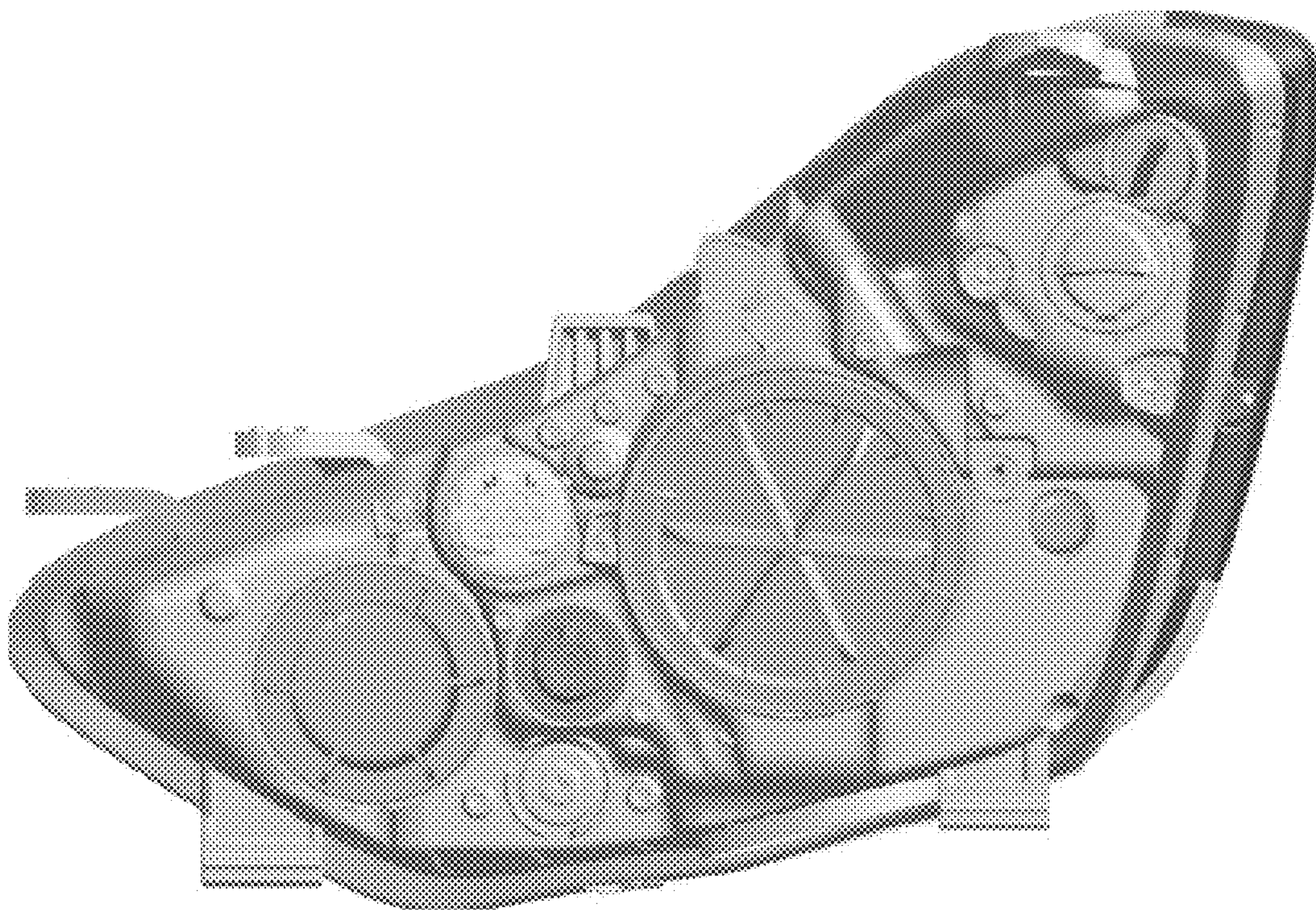


FIG. 4

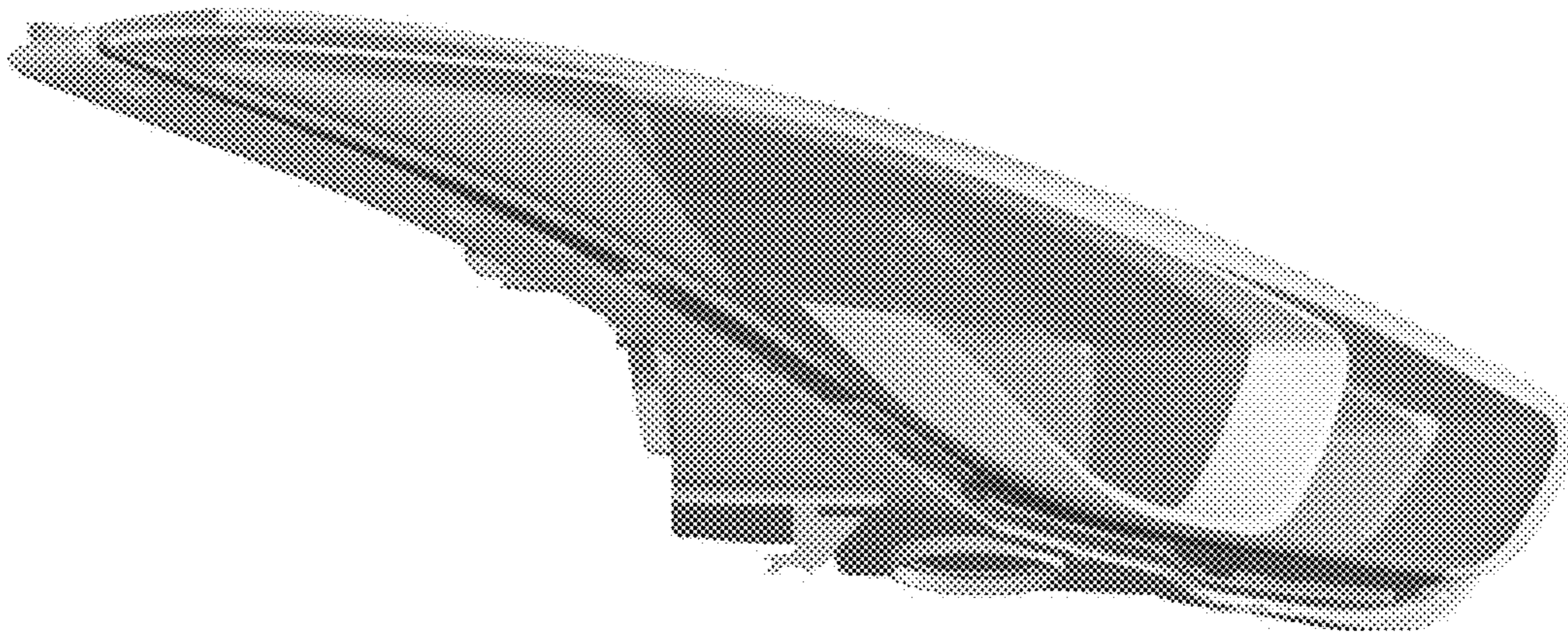


FIG. 5

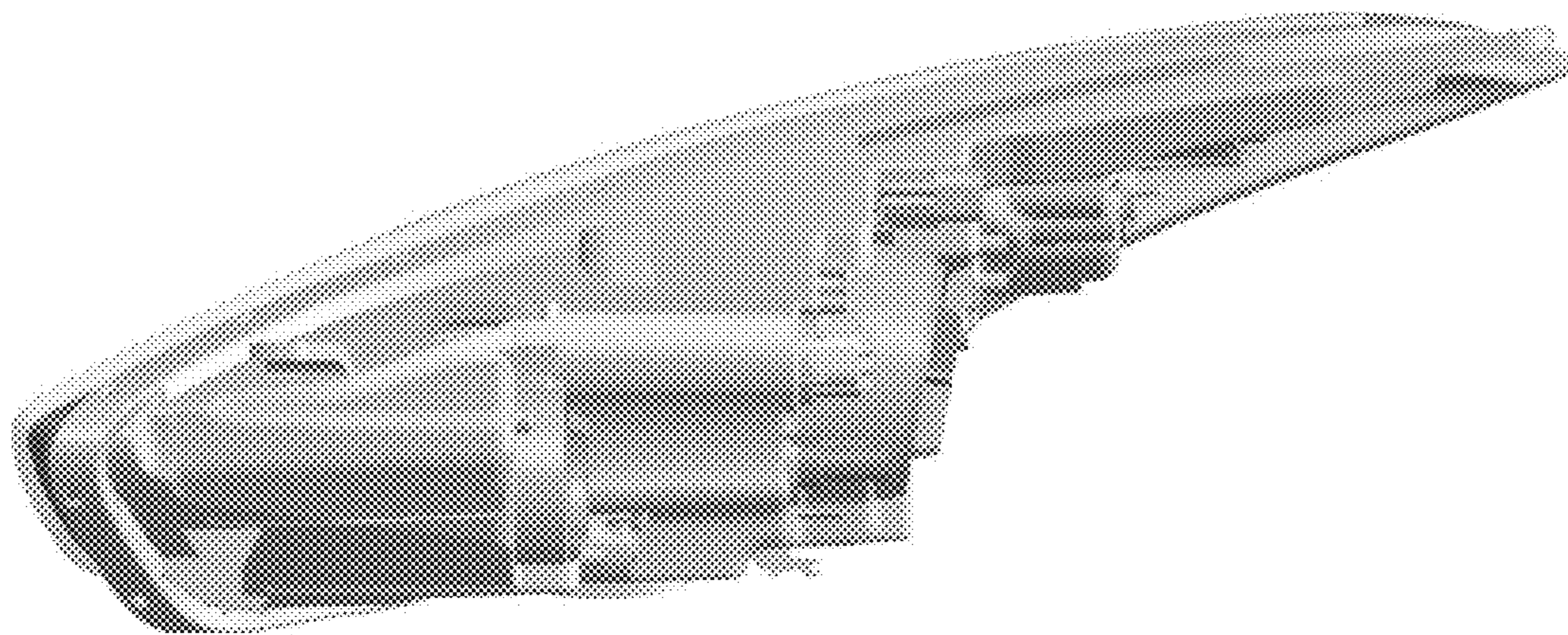


FIG. 6

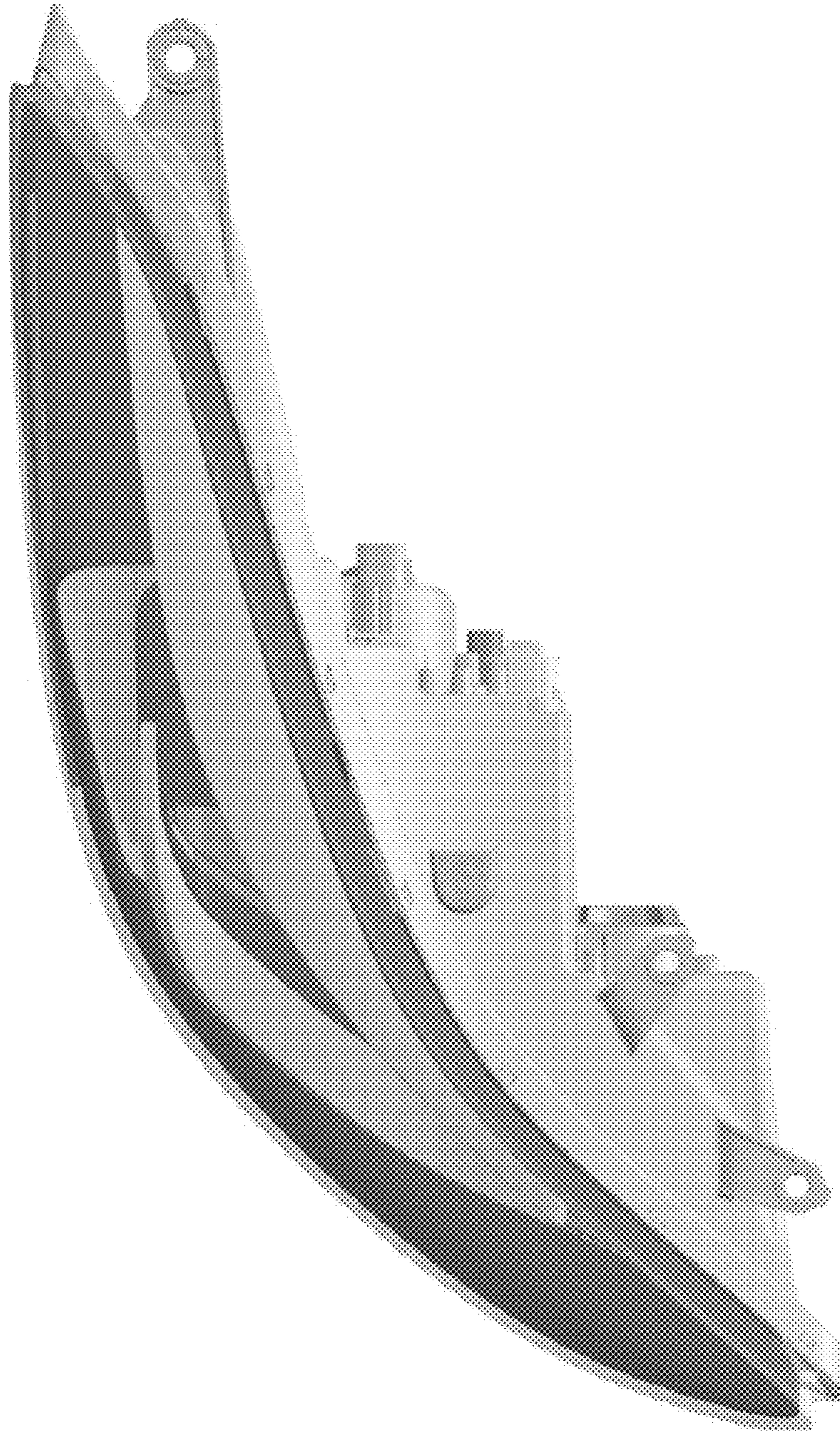


FIG. 7

