



US00D739056S

(12) **United States Design Patent**  
**Nordmann**

(10) **Patent No.:** **US D739,056 S**

(45) **Date of Patent:** **\*\* Sep. 15, 2015**

(54) **HEADLIGHT FOR A VEHICLE**

(71) Applicant: **Bayerische Motoren Werke Aktiengesellschaft, Munich (DE)**

(72) Inventor: **Christoph Nordmann, Munich (DE)**

(73) Assignee: **Bayerische Motoren Werke Aktiengesellschaft, Munich (DE)**

(\*\*) Term: **14 Years**

(21) Appl. No.: **29/462,851**

(22) Filed: **Aug. 9, 2013**

(30) **Foreign Application Priority Data**

Feb. 11, 2013 (DE) ..... 40 2013 100 122

(51) **LOC (10) Cl.** ..... **26-06**

(52) **U.S. Cl.**  
USPC ..... **D26/28**

(58) **Field of Classification Search**

USPC ..... D26/28-36; 362/459-468, 475-478, 362/485-487

CPC ..... B62J 6/02; B62J 6/00; B60Q 1/2607; B60Q 1/32; B60Q 1/0041; B60Q 1/0047; B60Q 1/0035; B60Q 1/04; B60Q 1/28; B60Q 1/0433; B60Q 1/26; B60Q 1/06; B60Q 1/08; F21S 48/155; F21S 48/10; F21S 48/335

See application file for complete search history.

(56) **References Cited**

**U.S. PATENT DOCUMENTS**

D490,174 S \* 5/2004 Lin ..... D26/28  
D560,291 S \* 1/2008 Koyama ..... D26/28

(Continued)

**FOREIGN PATENT DOCUMENTS**

EM 002250126-000 8/2013  
WO WO DM/076561 2/2012

(Continued)

*Primary Examiner* — Wan Laymon

(74) *Attorney, Agent, or Firm* — Crowell & Moring LLP

(57) **CLAIM**

The ornamental design for a headlight for a vehicle, as shown and described.

**DESCRIPTION**

This application contains subject matter related to the following co-pending U.S. design patent application: Application Ser. No. 29/462,848, filed herewith and entitled "Vehicle, Toy, and/or Replicas Thereof".

FIG. 1 is a front view of a first embodiment of a headlight for a vehicle according to the design;

FIG. 2 is a right, front perspective view thereof;

FIG. 3 is a left, front perspective view thereof;

FIG. 4 is a right side view thereof;

FIG. 5 is a left side view thereof;

FIG. 6 is a top view thereof;

FIG. 7 is a bottom view thereof; and

FIG. 8 is a rear view thereof.

FIG. 9 is a front view of a second embodiment of the headlight for a vehicle according to the design;

FIG. 10 is a right, front perspective view thereof;

FIG. 11 is a left, front perspective view thereof;

FIG. 12 is a right side view thereof;

FIG. 13 is a left side view thereof;

FIG. 14 is a top view thereof;

FIG. 15 is a bottom view thereof; and

FIG. 16 is a rear view thereof.

FIG. 17 is a front view of a third embodiment of the headlight for a vehicle according to the design;

FIG. 18 is a right, front perspective view thereof;

FIG. 19 is a left, front perspective view thereof;

FIG. 20 is a right side view thereof;

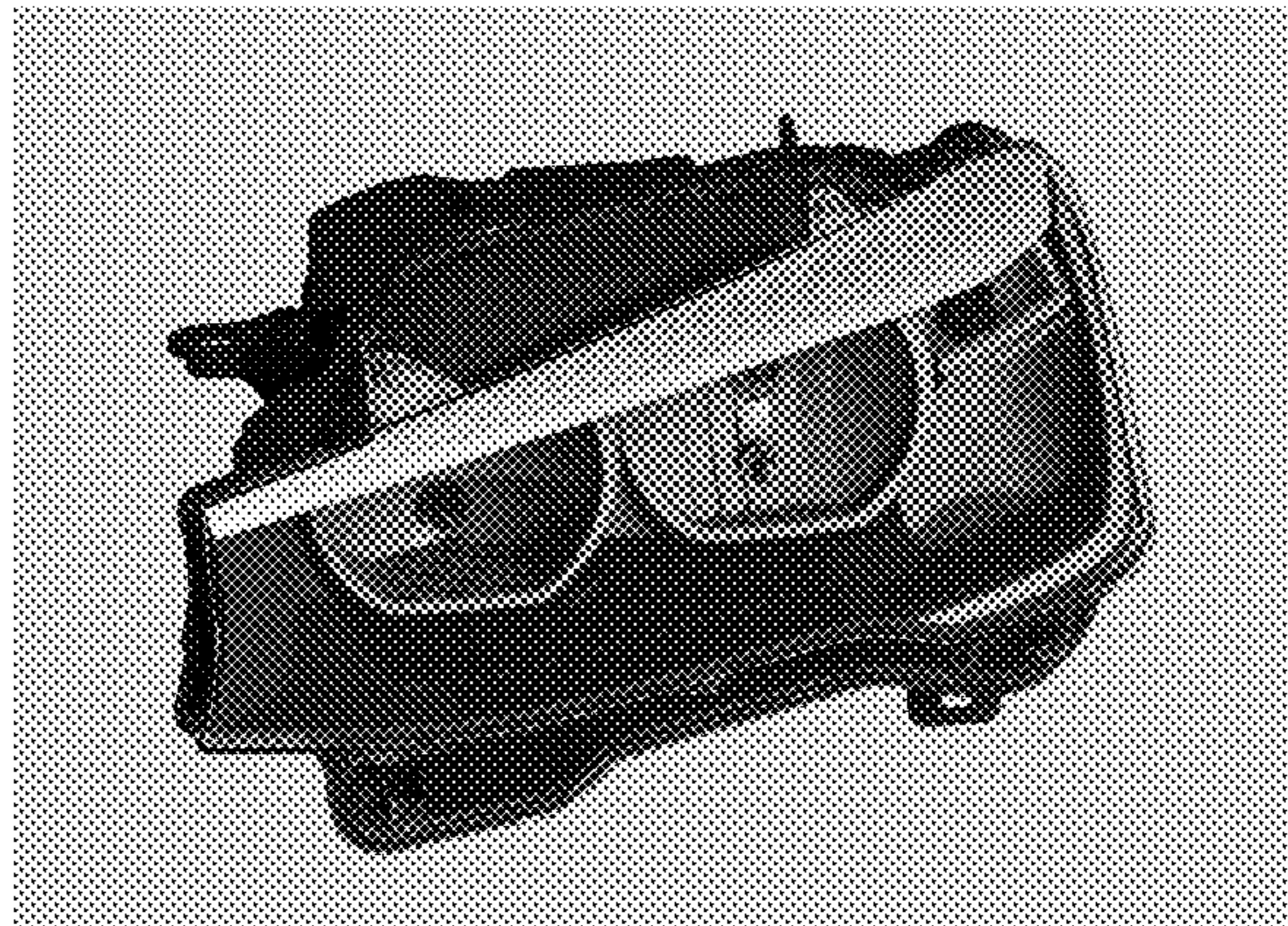
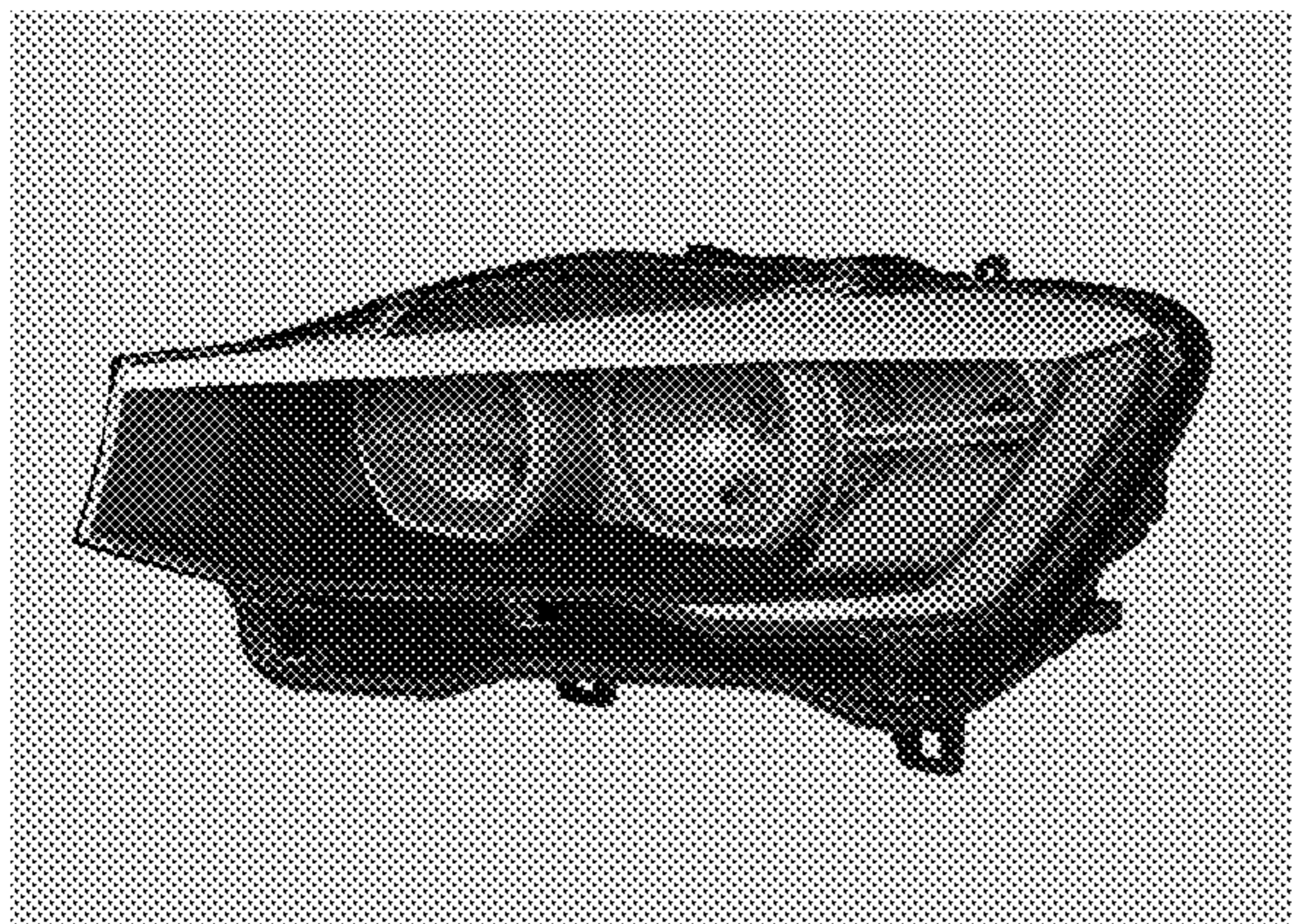
FIG. 21 is a left side view thereof;

FIG. 22 is a top view thereof;

FIG. 23 is a bottom view thereof; and,

FIG. 24 is a rear view thereof.

**1 Claim, 24 Drawing Sheets**



(56)

**References Cited**

**FOREIGN PATENT DOCUMENTS**

U.S. PATENT DOCUMENTS  
D667,153 S \* 9/2012 Huet ..... D26/28  
8,287,166 B2 \* 10/2012 Tanaka et al. .... 362/538  
D681,243 S \* 4/2013 Tsai ..... D26/28  
D686,355 S 7/2013 Morgenstern  
D686,356 S 7/2013 Morgenstern  
D718,893 S \* 12/2014 Lai ..... D26/28  
D721,450 S \* 1/2015 Lai ..... D26/28  
D723,724 S \* 3/2015 Johnson ..... D26/28  
D726,353 S \* 4/2015 Yagihashi ..... D26/28

WO WO D079708-001 \* 6/2013  
WO WO D079708-002 \* 6/2013  
WO WO D080343-001 \* 8/2013  
WO WO D080343-002 \* 8/2013  
WO WO D080343-003 \* 8/2013  
WO WO D080366-001 \* 9/2013  
WO WO D080366-002 \* 9/2013

\* cited by examiner





Fig. 1





Fig. 2





Fig. 3



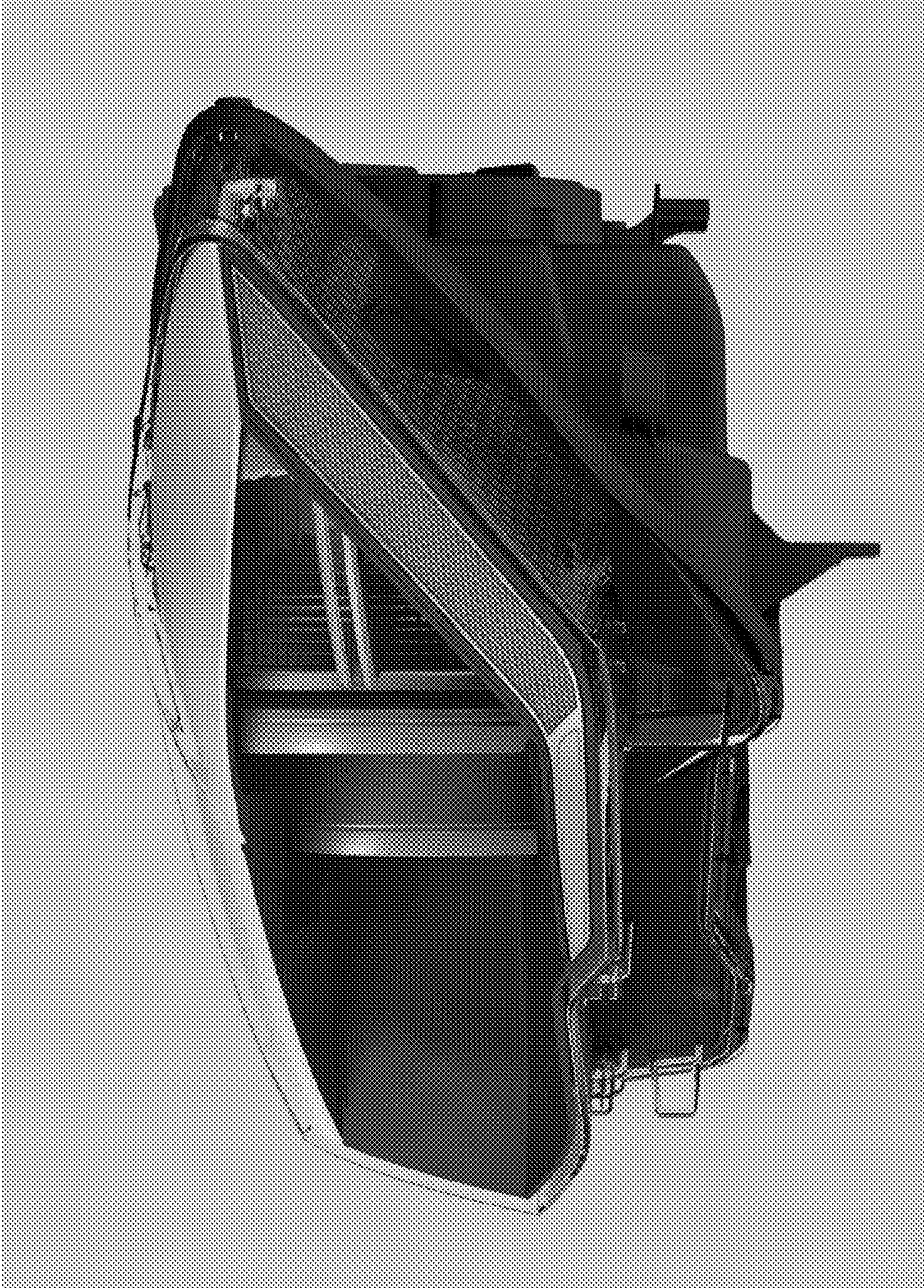


Fig. 4





Fig. 5





Fig. 6



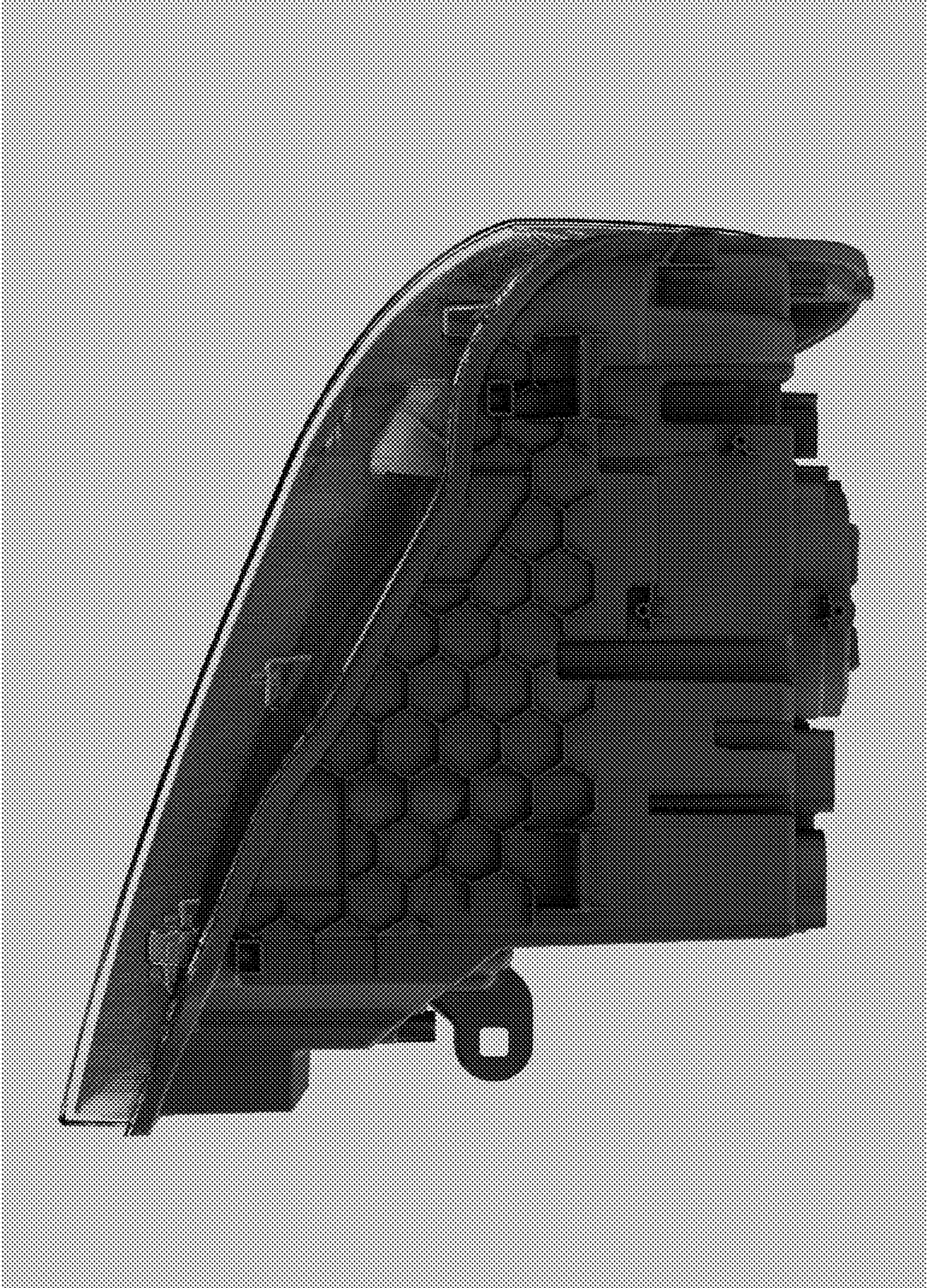


Fig. 7





Fig. 8





Fig. 9





Fig. 10





Fig. 11



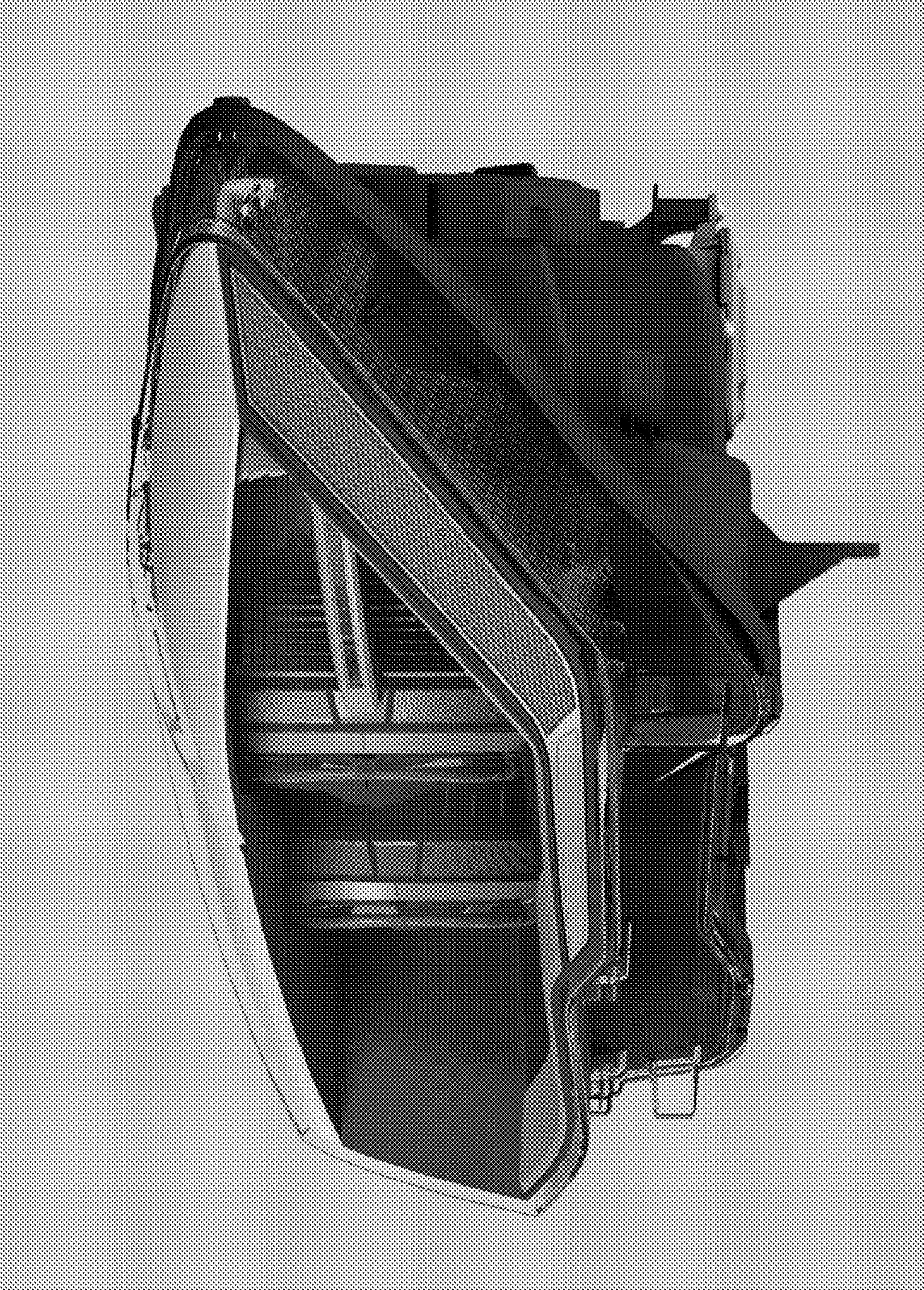


Fig. 12





Fig. 13





Fig. 14





Fig. 15



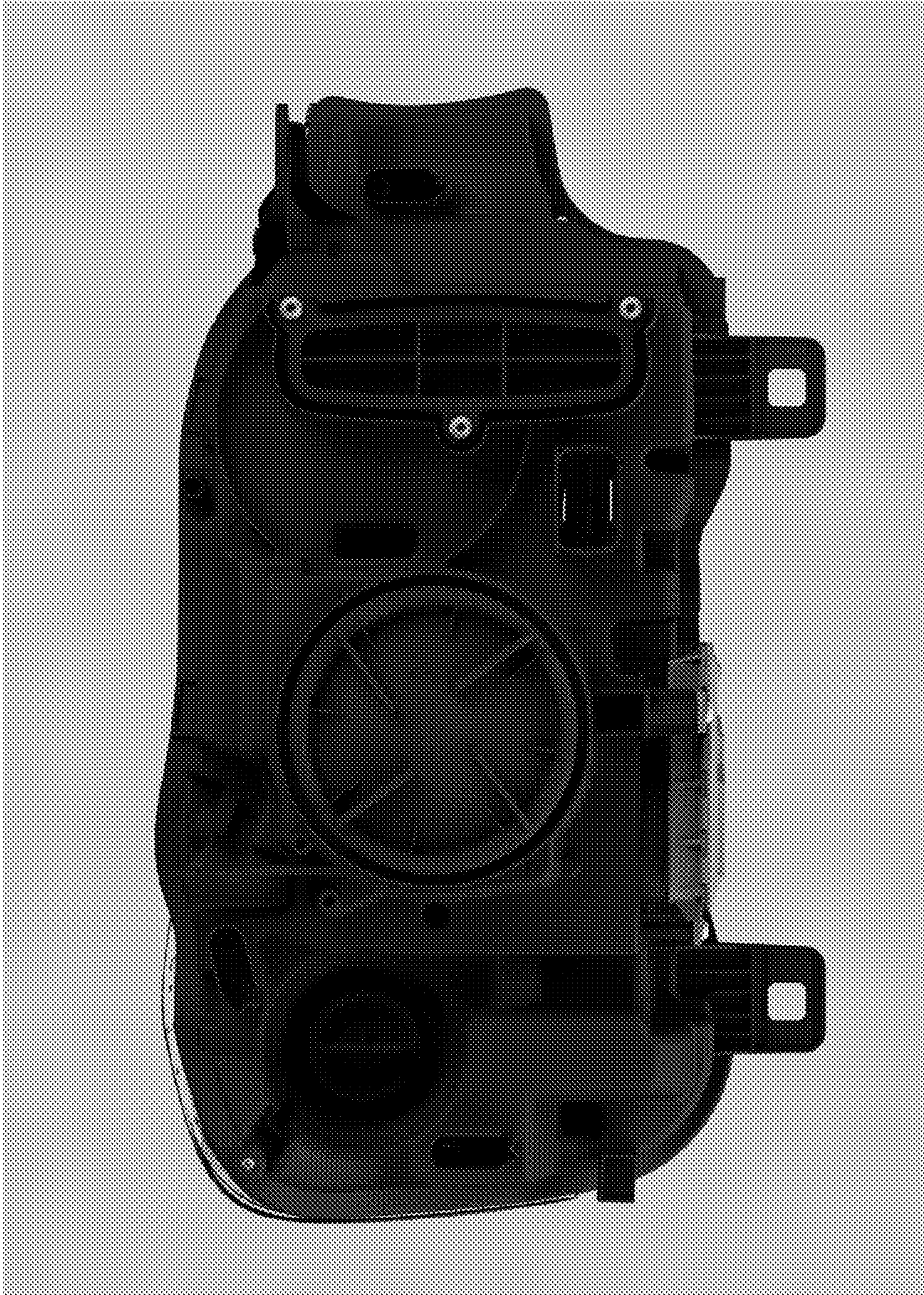


Fig. 16





Fig. 17





Fig. 18





Fig. 19



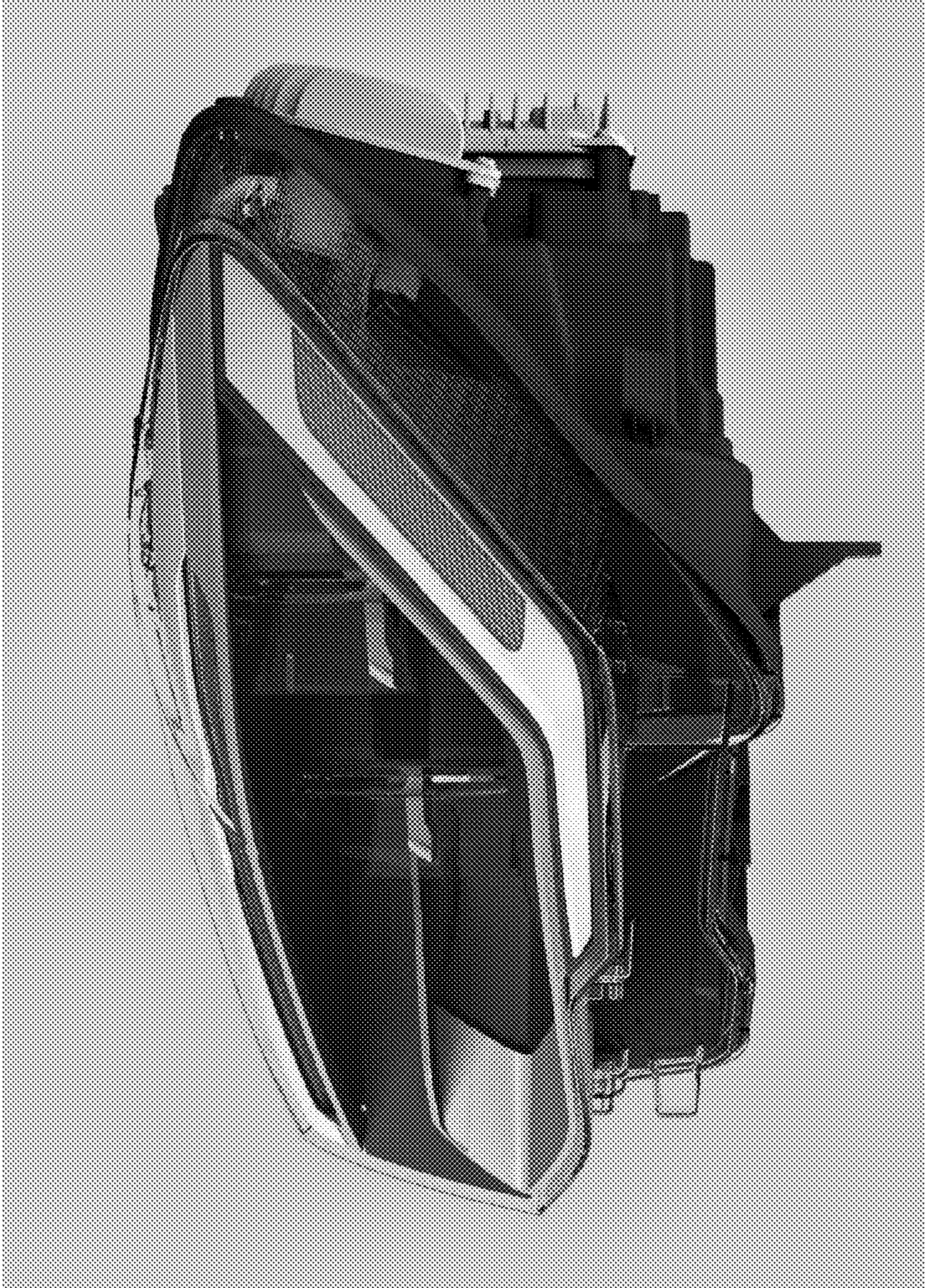


Fig. 20





Fig. 21





Fig. 22



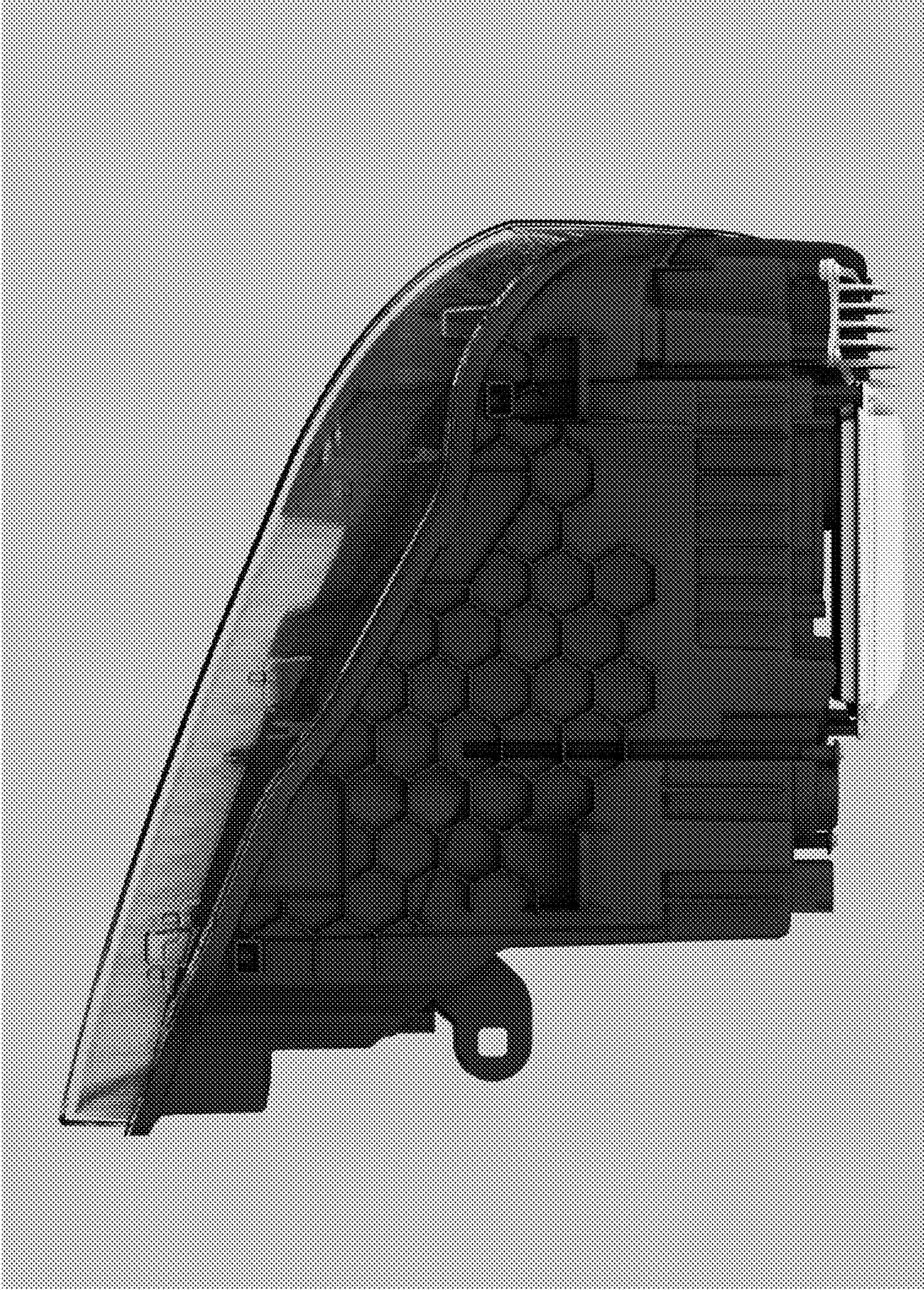


Fig. 23



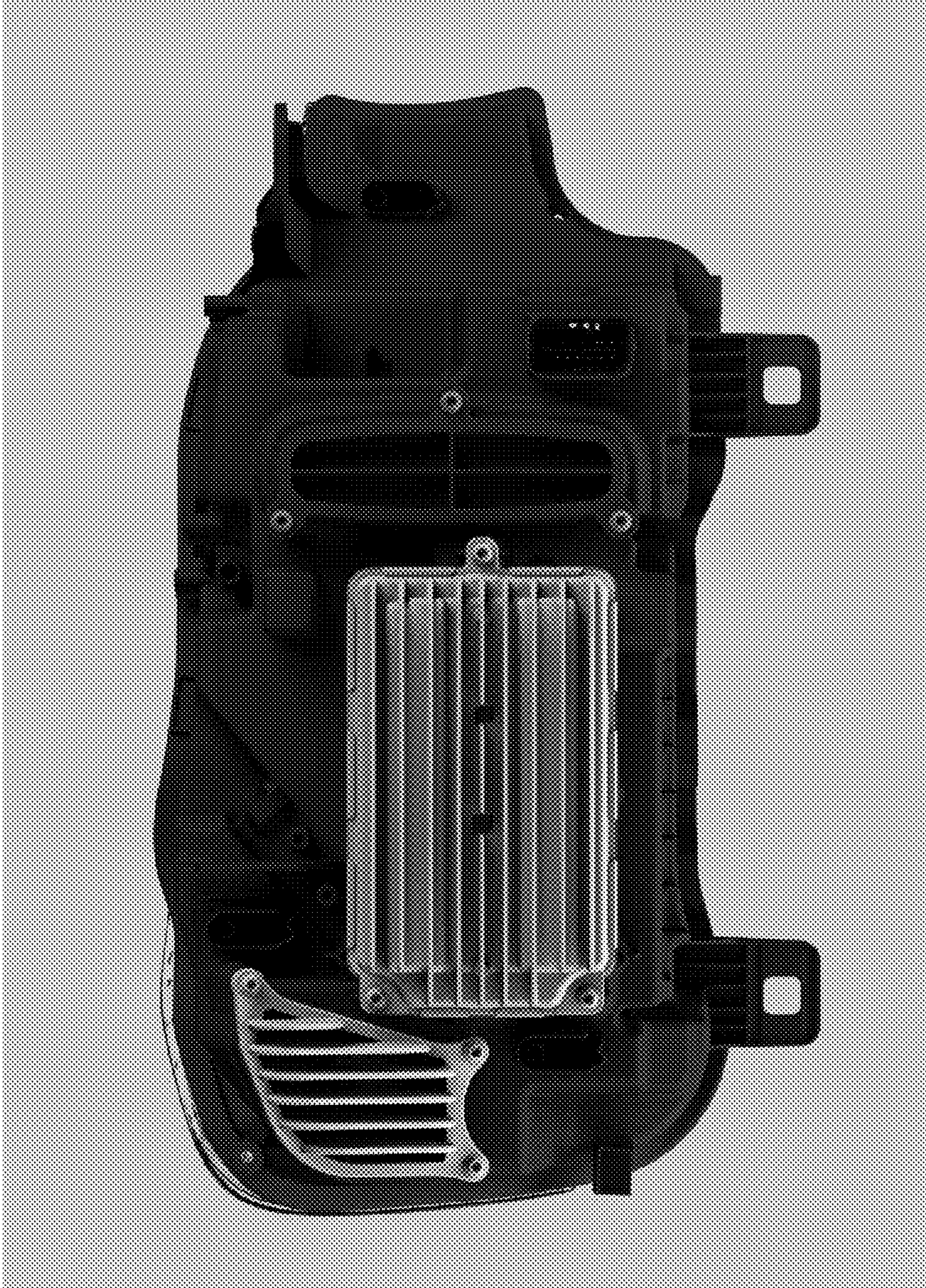


Fig. 24