



US00D739055S

(12) **United States Design Patent**
Plourde et al.

(10) **Patent No.:** **US D739,055 S**
(45) **Date of Patent:** **** Sep. 15, 2015**

- (54) **LAMP ASSEMBLY**
- (71) Applicant: **Dioluce, LLC**, New Britain, CT (US)
- (72) Inventors: **Roger Plourde**, Woodbury, CT (US);
Hae N. Yi, Woodbury, CT (US); **Byoung K. Shin**, Incheon (KR)
- (73) Assignee: **DIOLUCE, LLC**, New Britain, CT (US)
- (**) Term: **14 Years**
- (21) Appl. No.: **29/480,249**
- (22) Filed: **Jan. 24, 2014**

Related U.S. Application Data

- (63) Continuation of application No. 14/104,564, filed on Dec. 12, 2013.
- (51) **LOC (10) Cl.** **26-04**
- (52) **U.S. Cl.**
USPC **D26/3**
- (58) **Field of Classification Search**
USPC D26/1-4; 313/313, 315, 316, 317, 318,
313/493; 315/52, 53, 56, 57, 58
See application file for complete search history.

(56) **References Cited**

U.S. PATENT DOCUMENTS

4,714,219	A	12/1987	Mayse	
5,653,412	A	8/1997	Martorano et al.	
6,082,031	A	7/2000	Heaton et al.	
D437,669	S *	2/2001	Blason et al.	D34/23
6,231,213	B1	5/2001	Schmidt et al.	
D448,499	S *	9/2001	Choi	D26/3
D477,093	S *	7/2003	Moriyama et al.	D26/3
6,590,343	B2	7/2003	Pederson	
D506,274	S *	6/2005	Moriyama et al.	D26/3
7,014,332	B2	3/2006	Sergio et al.	
7,307,391	B2	12/2007	Shan	
7,784,996	B1	8/2010	Cummer	

7,853,414	B2	12/2010	Mischel, Jr. et al.
8,070,312	B2	12/2011	Verfuert et al.
D653,376	S	1/2012	Kong et al.
8,376,583	B2	2/2013	Wang et al.
8,419,209	B2	4/2013	Mai
D703,368	S	4/2014	Oldani
2006/0221606	A1	10/2006	Dowling
2006/0255753	A1	11/2006	Sawada et al.
2007/0025110	A1	2/2007	Langlois et al.
2007/0247850	A1	10/2007	Hawkins et al.

(Continued)

FOREIGN PATENT DOCUMENTS

GB 2479216 A 10/2011

Primary Examiner — Marcus Jackson

(74) *Attorney, Agent, or Firm* — Lando & Anastasi, LLP

(57) **CLAIM**

The ornamental design for a lamp assembly, as shown and described.

DESCRIPTION

FIG. 1 is a perspective view of one embodiment of a lamp assembly, with the center portion broken away to indicate indeterminate length;

FIG. 2 is a top view of one embodiment of the lamp assembly;

FIG. 3 is a bottom view of one embodiment of the lamp assembly;

FIG. 4 is a rear side view of one embodiment of the lamp assembly

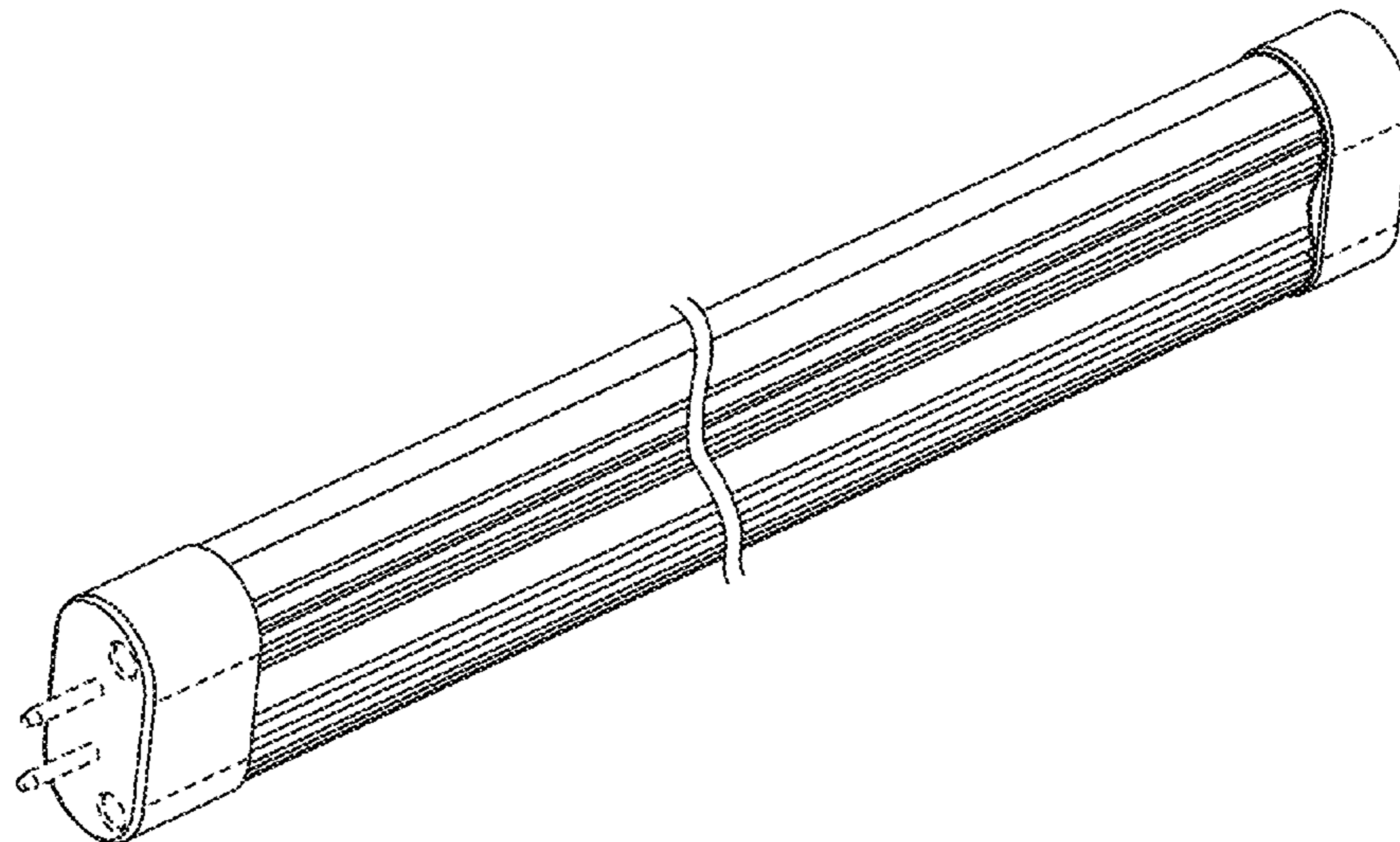
FIG. 5 is a front side view of one embodiment of the lamp assembly

FIG. 6 is one end view of one embodiment of the lamp assembly; and,

FIG. 7 is another end view of one embodiment of the lamp assembly.

The broken lines shown in the drawing are for illustrative purposes only and form no part of the claimed design.

1 Claim, 3 Drawing Sheets



(56)

References Cited

U.S. PATENT DOCUMENTS

2010/0079075 A1 4/2010 Son
2010/0102730 A1 4/2010 Simon et al.
2010/0149791 A1 6/2010 McCane et al.
2010/0176724 A1 7/2010 Neal et al.
2011/0058372 A1 3/2011 Lerman et al.
2012/0020112 A1 1/2012 Fisher et al.
2012/0044435 A1 2/2012 Dai
2012/0069582 A1 3/2012 Chang

2012/0146503 A1 6/2012 Negley et al.
2012/0242929 A1 9/2012 Ohyama
2012/0287631 A1 11/2012 Sheng
2012/0300471 A1 11/2012 Howe
2012/0306377 A1 12/2012 Igaki et al.
2013/0003373 A1 1/2013 Hamby et al.
2013/0128177 A1 5/2013 Kuo et al.
2013/0208212 A1 8/2013 Que et al.
2014/0009940 A1 1/2014 Moore
2014/0168955 A1 6/2014 Gershaw

* cited by examiner

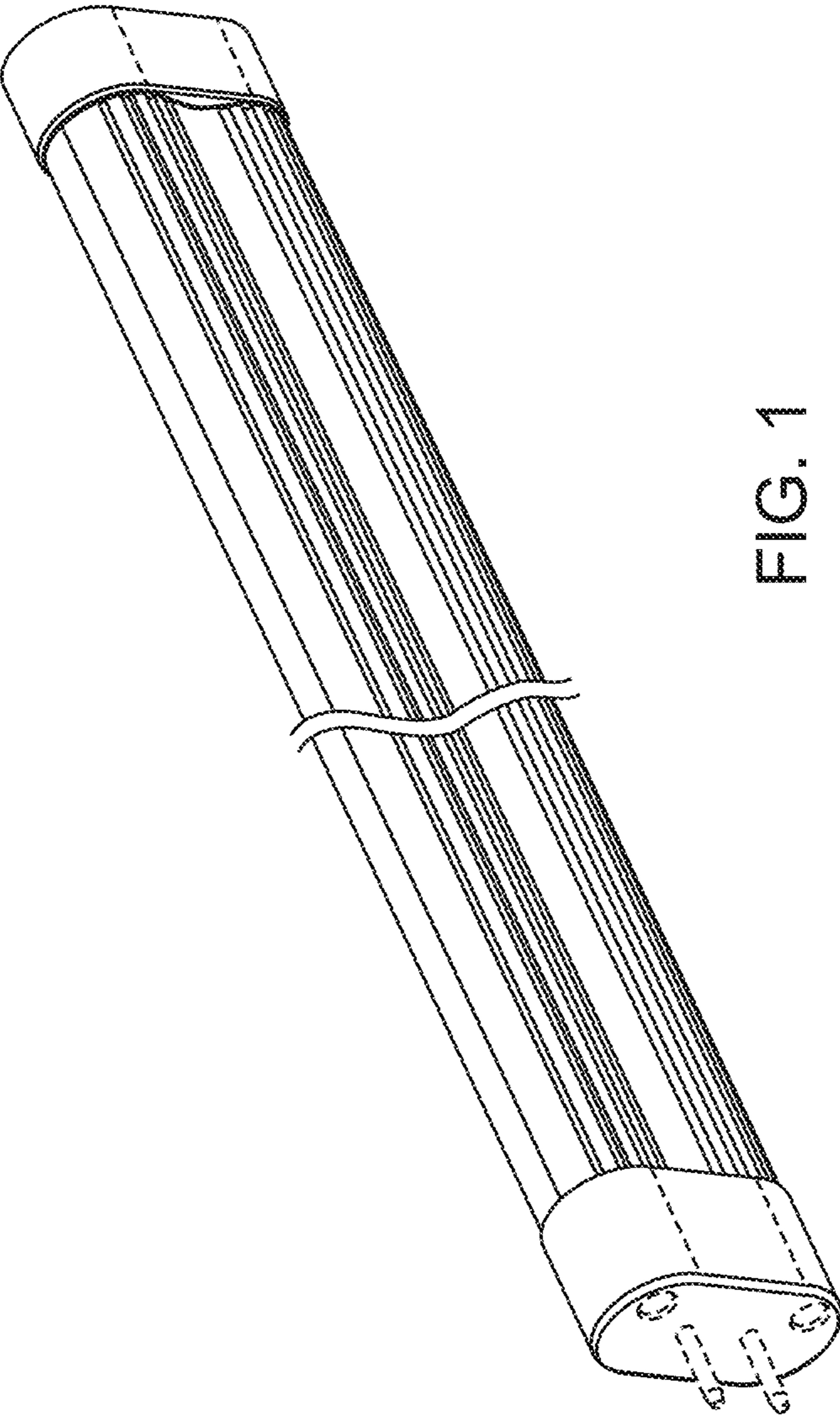


FIG. 1

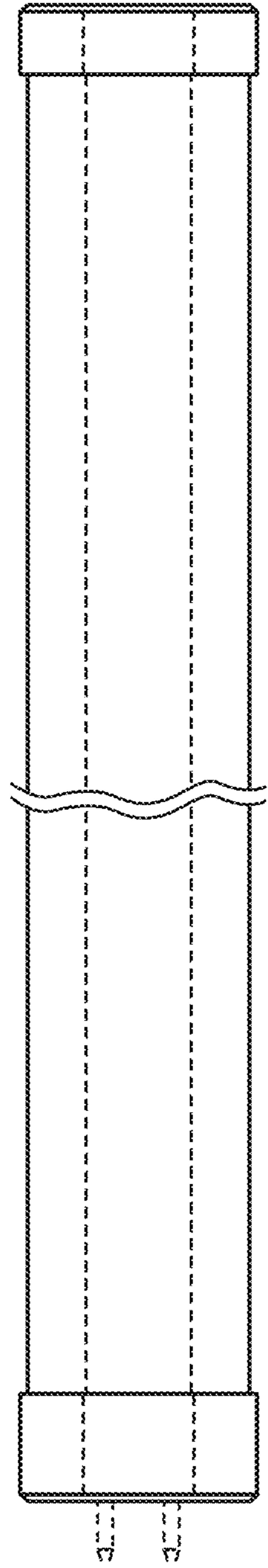


FIG. 2

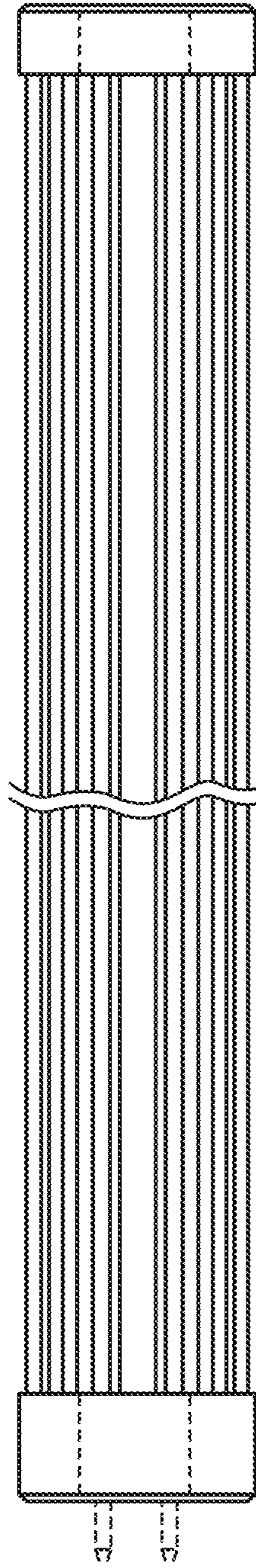


FIG. 3

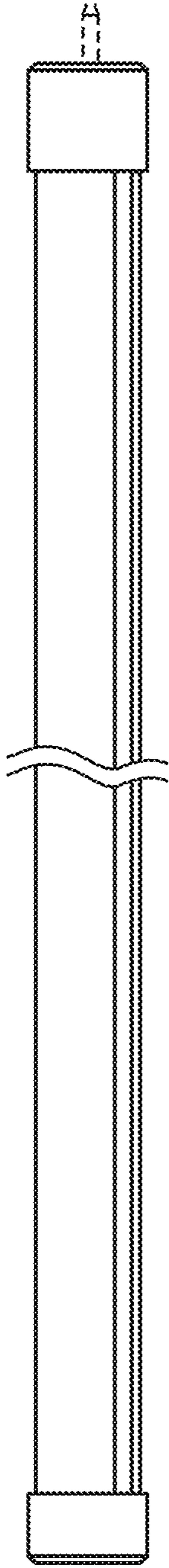


FIG. 4

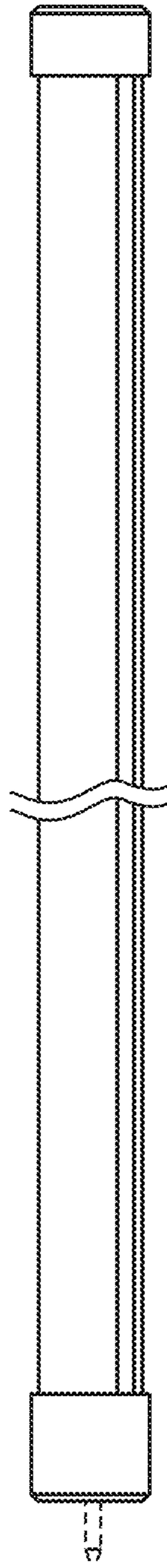


FIG. 5



FIG. 6

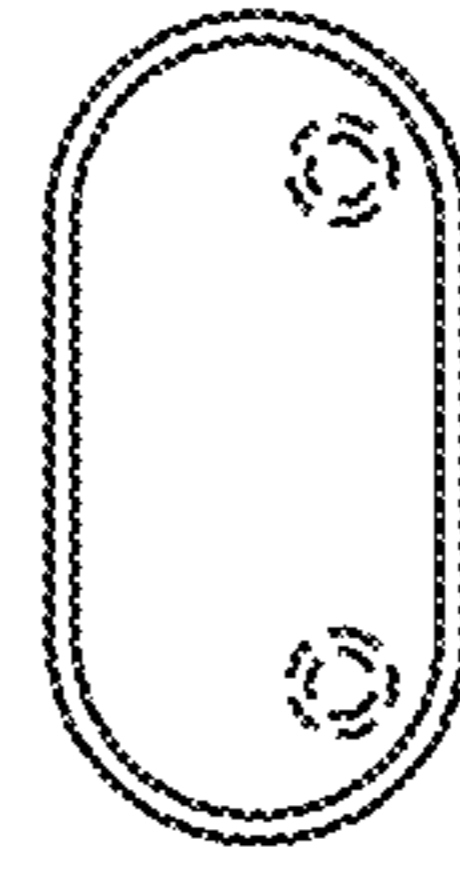


FIG. 7