

US00D739046S

(12) **United States Design Patent**
Campbell et al.

(10) **Patent No.:** **US D739,046 S**

(45) **Date of Patent:** **** Sep. 15, 2015**

(54) **WINDOW FRAME PROFILE**

(71) Applicant: **ROYAL GROUP, INC.**, Atlanta, GA
(US)

(72) Inventors: **David Robert Campbell**, Orillia (CA);
Nina Sterlin, Thornhill (CA); **Phil**
Weber, Norwalk, IA (US)

(73) Assignee: **Royal Group, Inc.**, Atlanta, GA (US)

(**) Term: **14 Years**

(21) Appl. No.: **29/482,407**

(22) Filed: **Feb. 18, 2014**

(51) **LOC (10) Cl.** **25-01**

(52) **U.S. Cl.**
USPC **D25/124**

(58) **Field of Classification Search**
USPC D25/124; 52/204.1, 204.2, 204.5,
52/204.51, 656.5, 656.6, 213, 215, 208,
52/656.2, 656.7, 800.13, 717.01;
49/DIG. 2, 504
CPC E06B 3/00; E06B 3/16; E06B 3/20;
E06B 3/22; E06B 3/205

See application file for complete search history.

(56) **References Cited**

U.S. PATENT DOCUMENTS

5,090,168 A * 2/1992 Fast et al. 52/213
D576,301 S * 9/2008 Morton et al. D25/124
2005/0210778 A1 * 9/2005 Seiling et al. 52/204.1

* cited by examiner

Primary Examiner — Doris Clark

(74) *Attorney, Agent, or Firm* — Hunton & Williams, LLP

(57) **CLAIM**

We claim the ornamental design for a window frame profile,
as shown and described.

DESCRIPTION

FIG. 1 is a fragmentary top right isometric view of a window
frame profile of the claimed design.

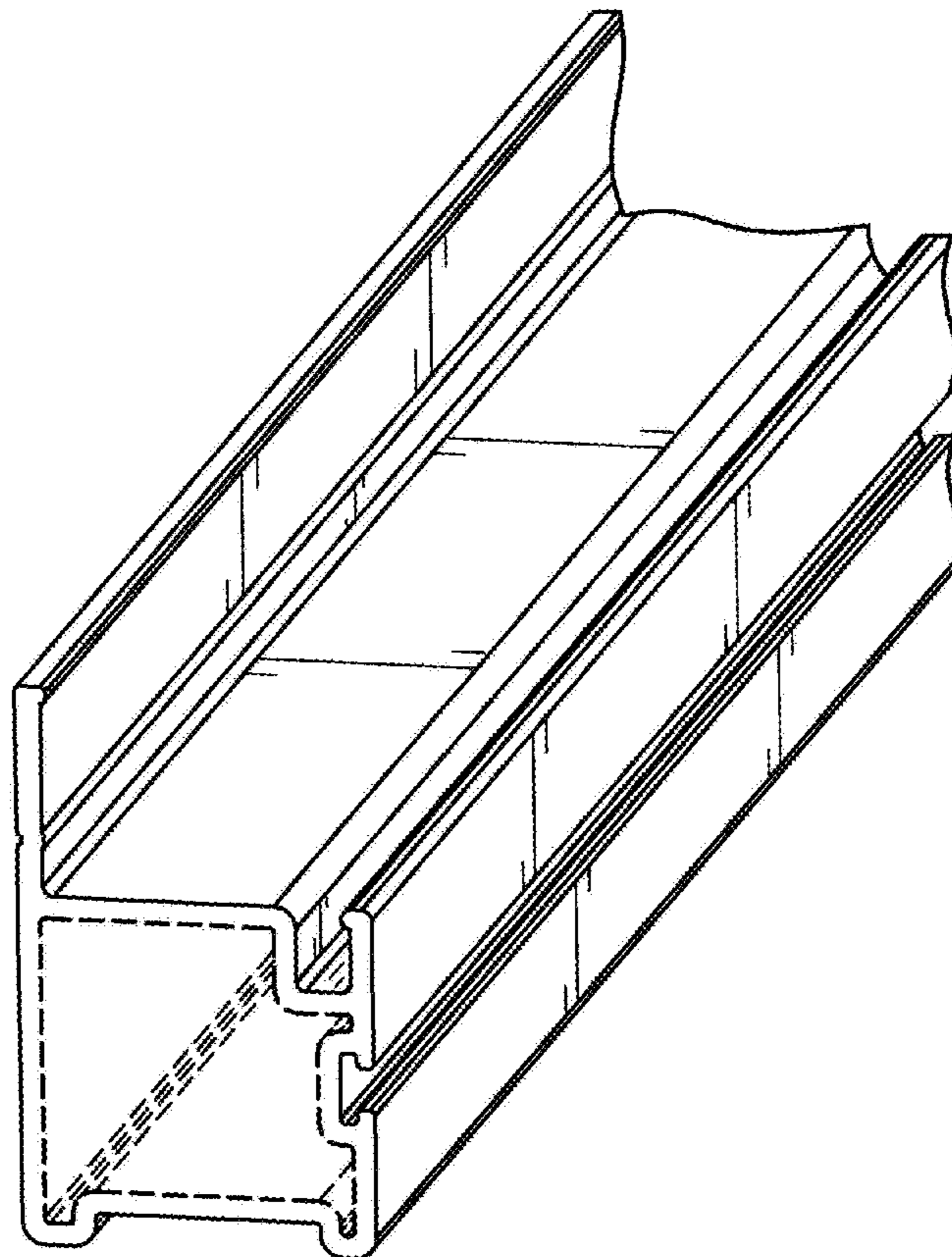
FIG. 2 is a fragmentary bottom left isometric view of a win-
dow frame profile of FIG. 1; and,

FIG. 3 is an end elevation view of the of the window frame
profile of FIG. 1.

The claimed design is broken on the end to indicate indeter-
minate length.

The broken lines are for illustrative purposes only and form
no part of the claimed design.

1 Claim, 3 Drawing Sheets



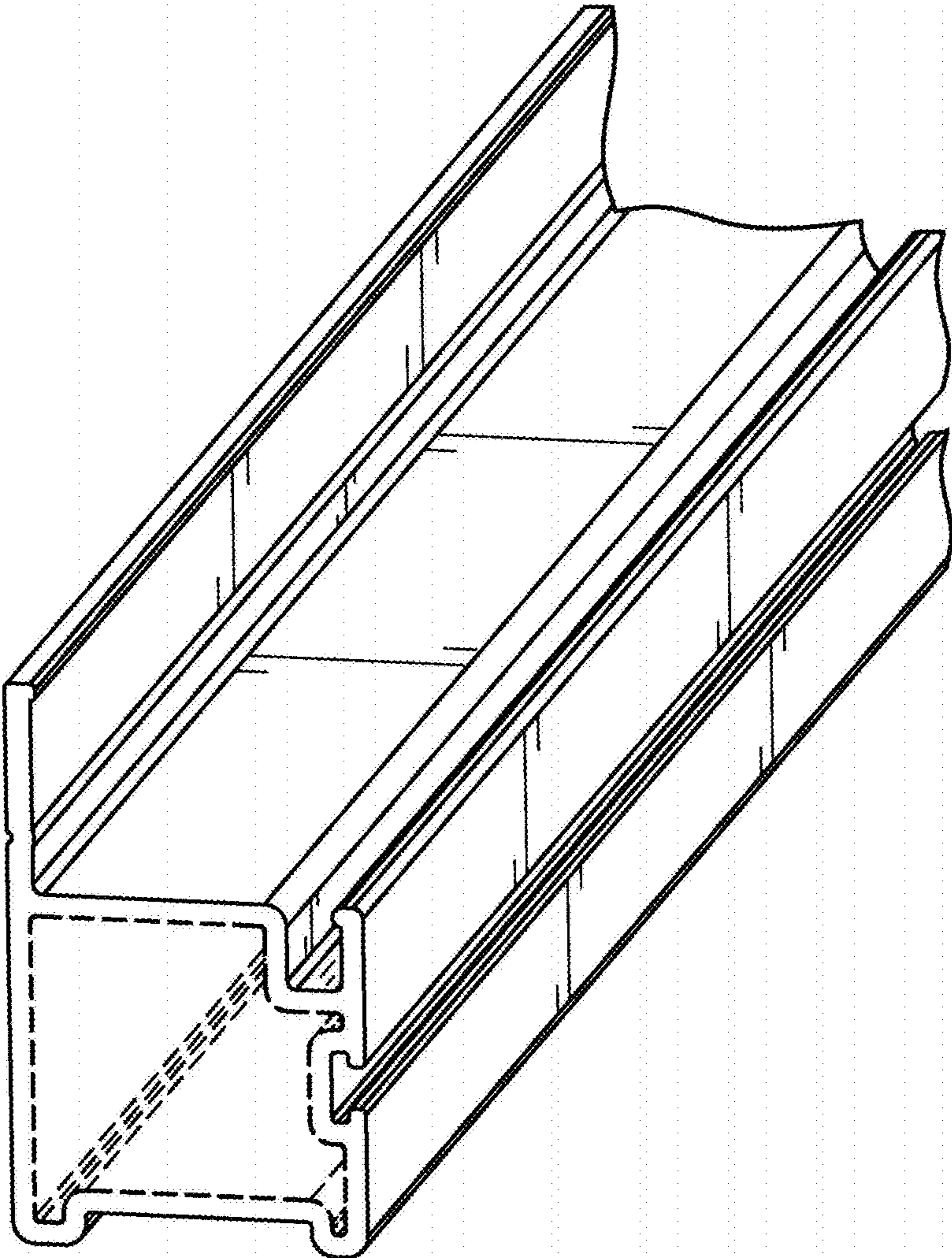


Fig. 1

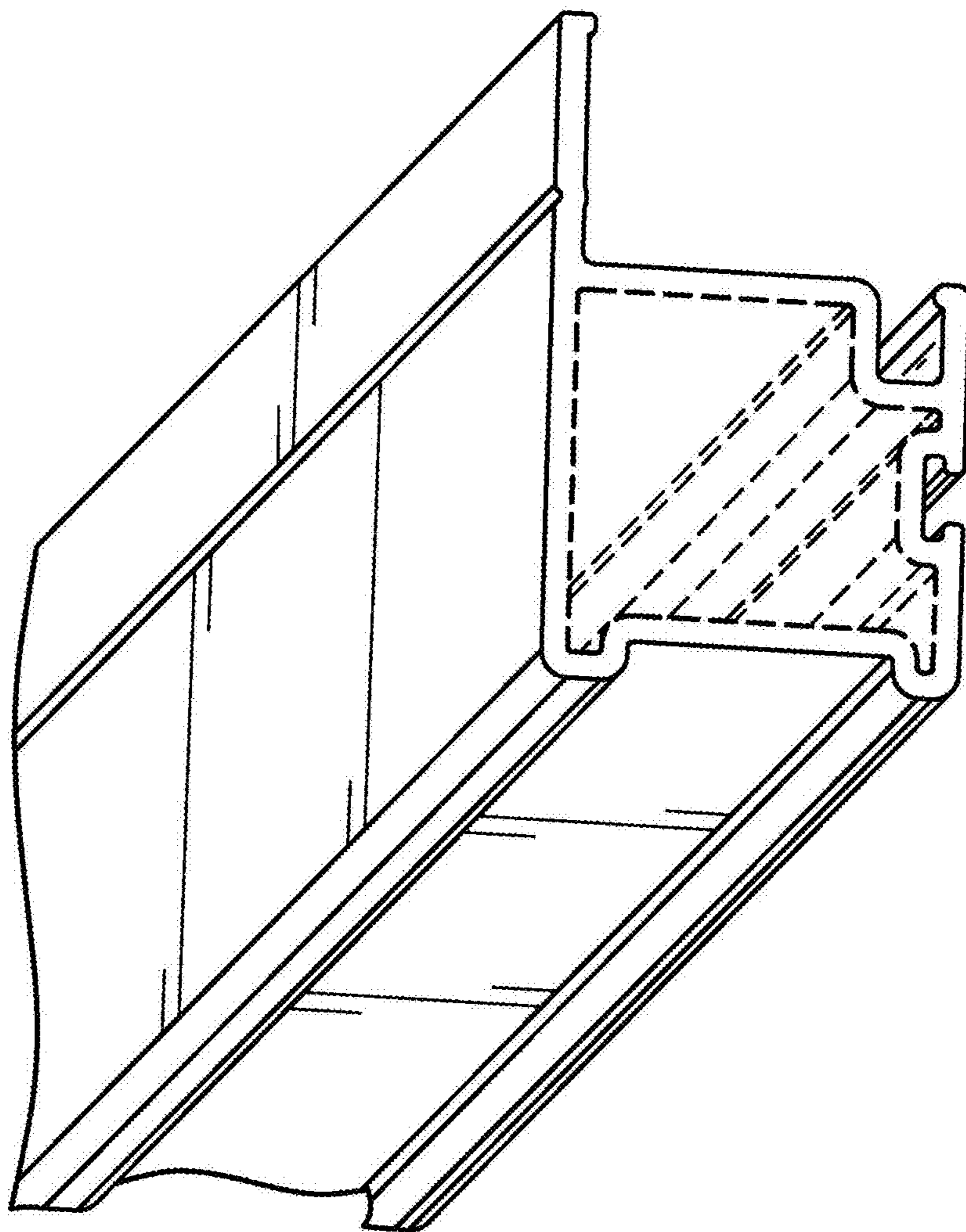


Fig. 2

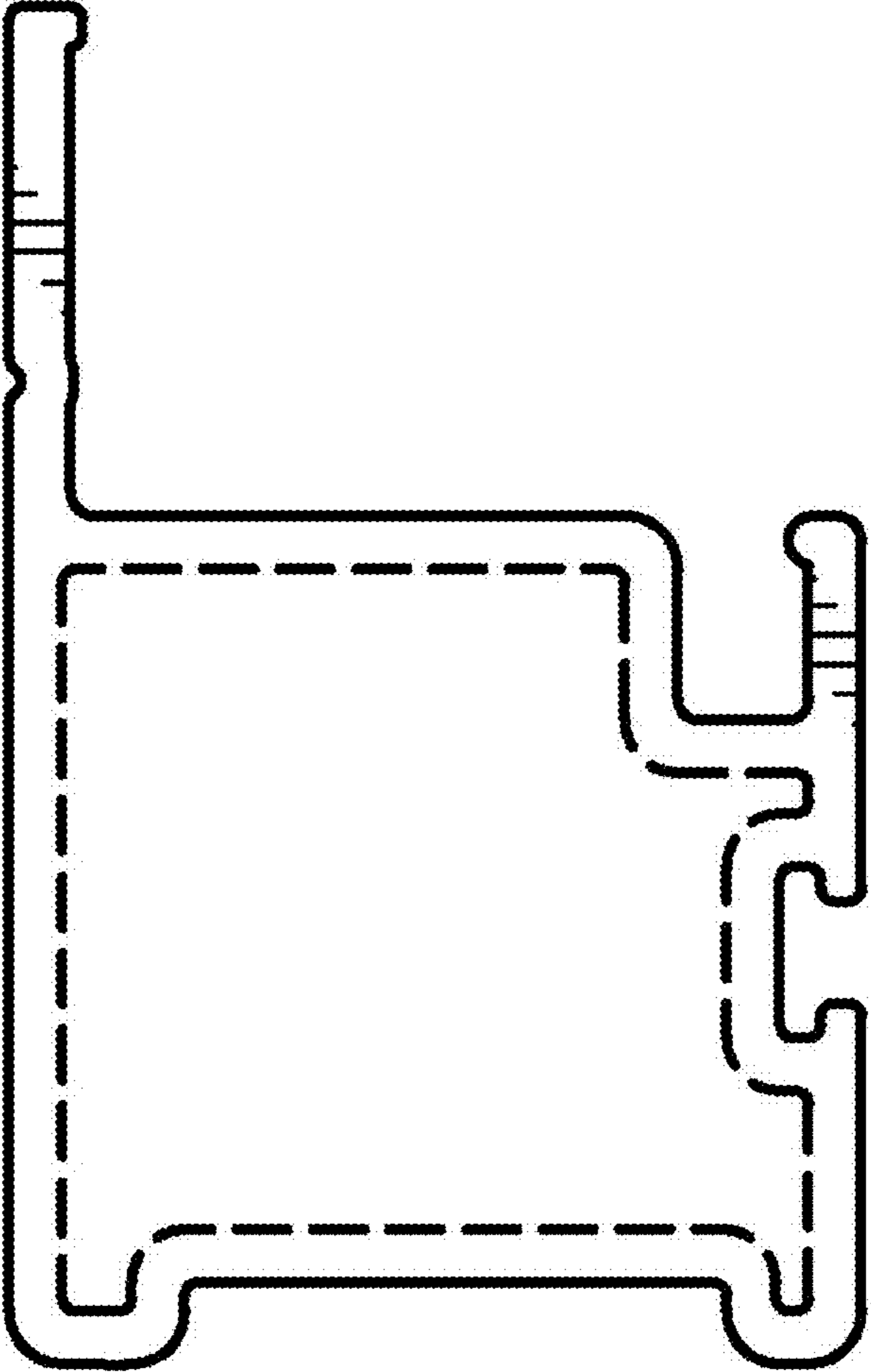


Fig. 3