



US00D739044S

(12) **United States Design Patent**  
**Campbell et al.**

(10) **Patent No.:** **US D739,044 S**

(45) **Date of Patent:** **\*\* Sep. 15, 2015**

(54) **WINDOW FRAME PROFILE**

(71) Applicant: **ROYAL GROUP, INC.**, Atlanta, GA (US)

(72) Inventors: **David Robert Campbell**, Orillia (CA); **Nina Sterlin**, Thornhill (CA); **Phil Weber**, Norwalk, IA (US)

(73) Assignee: **Royal Group, Inc.**, Atlanta, GA (US)

(\*\*) Term: **14 Years**

(21) Appl. No.: **29/482,404**

(22) Filed: **Feb. 18, 2014**

(51) **LOC (10) Cl.** ..... **25-01**

(52) **U.S. Cl.**  
USPC ..... **D25/124**

(58) **Field of Classification Search**  
USPC ..... D25/124; 52/204.1, 204.2, 204.5,  
52/204.51, 656.5, 656.6, 213, 215, 208,  
52/656.2, 656.7, 800.13, 717.01;  
49/DIG. 2, 504

CPC ..... E06B 3/00; E06B 3/16; E06B 3/20;  
E06B 3/22; E06B 3/205

See application file for complete search history.

(56) **References Cited**

U.S. PATENT DOCUMENTS

5,090,168 A \* 2/1992 Fast et al. .... 52/213  
D379,527 S \* 5/1997 DiGiorgio ..... D25/124  
D449,896 S \* 10/2001 Goss ..... D25/124

\* cited by examiner

*Primary Examiner* — Doris Clark

(74) *Attorney, Agent, or Firm* — Hunton & Williams, LLP

(57) **CLAIM**

We claim the ornamental design for a window frame profile, as shown and described.

**DESCRIPTION**

FIG. 1 is a fragmentary top right isometric view of a window frame profile of the claimed design.

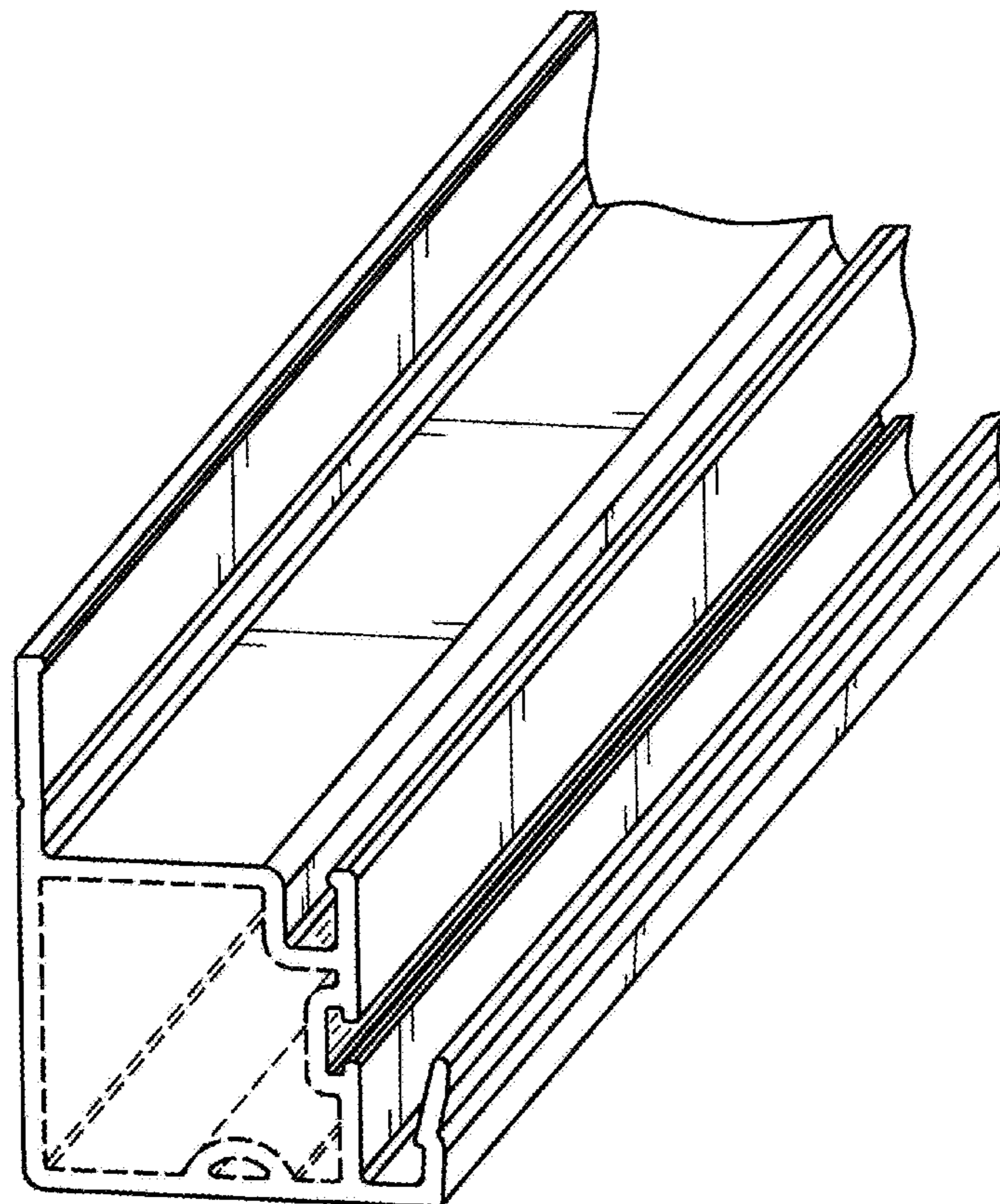
FIG. 2 is a fragmentary bottom left isometric view of a window frame profile of FIG. 1; and,

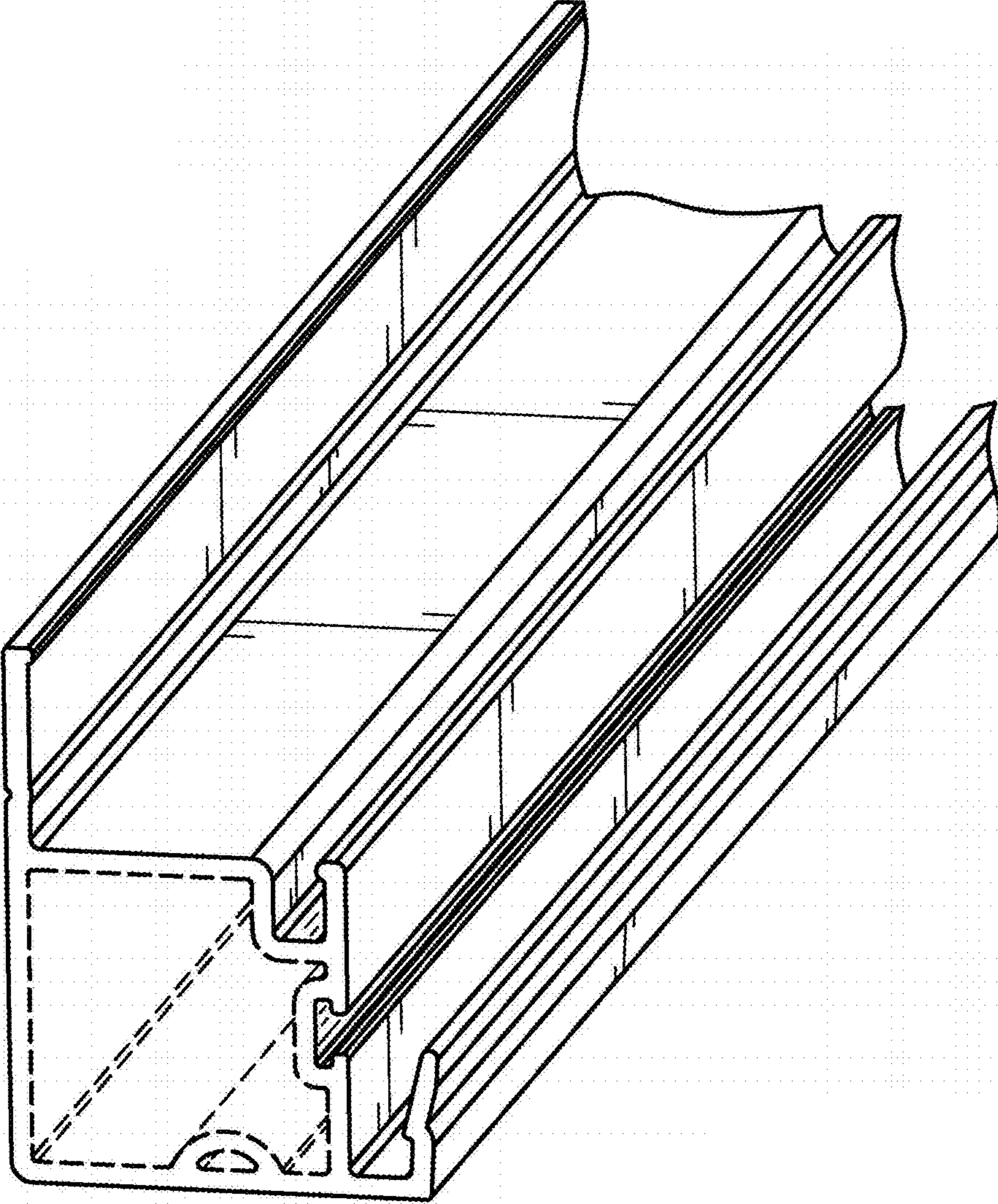
FIG. 3 is an end elevation view of the of the window frame profile of FIG. 1.

The claimed design is broken on the end to indicate indeterminate length.

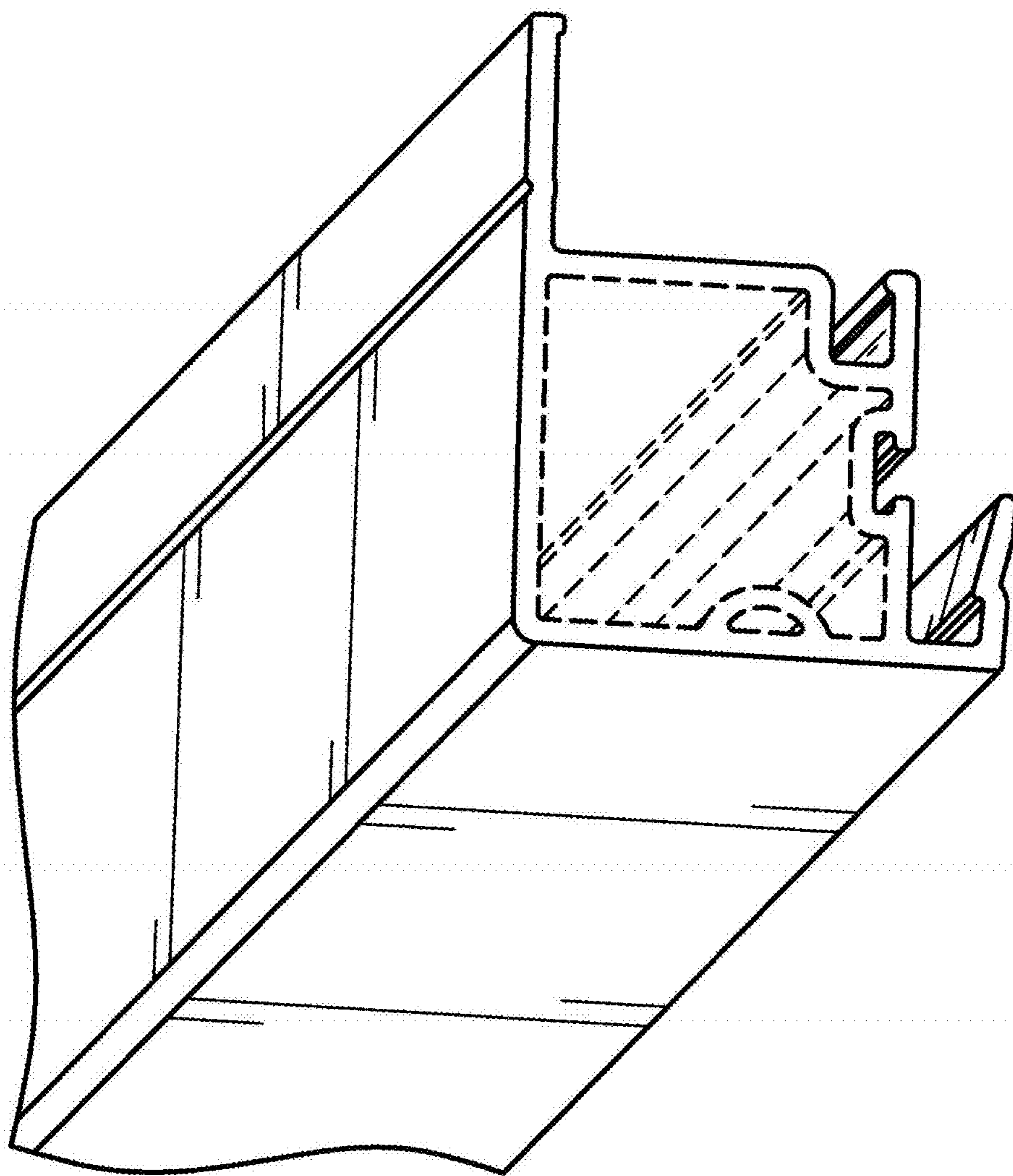
The broken lines are for illustrative purposes only and form no part of the claimed design.

**1 Claim, 3 Drawing Sheets**

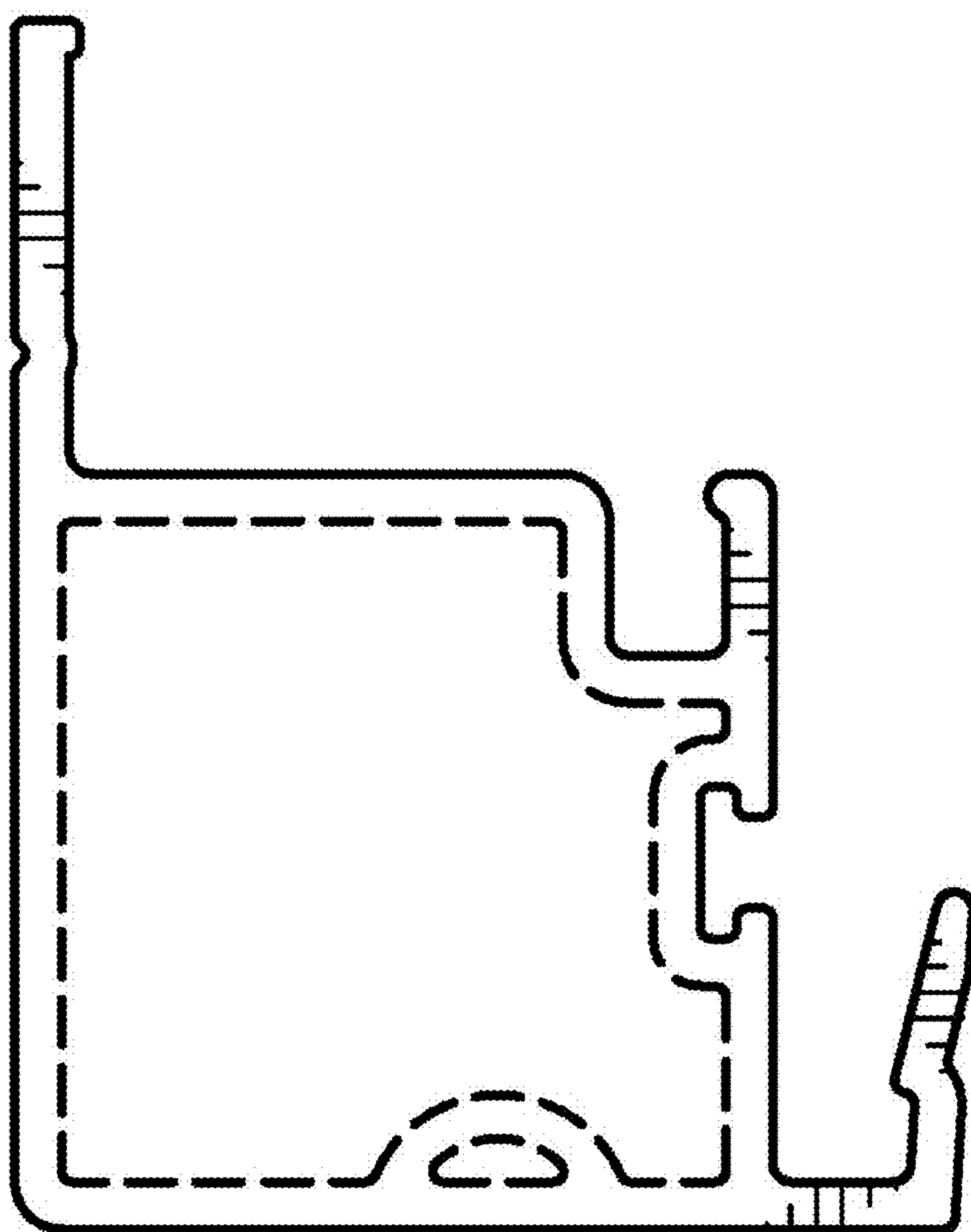




**Fig. 1**



**Fig. 2**



***Fig. 3***