



US00D739042S

(12) **United States Design Patent**
Campbell et al.

(10) **Patent No.:** **US D739,042 S**

(45) **Date of Patent:** **** Sep. 15, 2015**

(54) **WINDOW FRAME PROFILE**

(71) Applicant: **ROYAL GROUP, INC.**, Atlanta, GA (US)

(72) Inventors: **David Robert Campbell**, Orillia (CA); **Nina Sterlin**, Thornhill (CA); **Phil Weber**, Norwalk, IA (US)

(73) Assignee: **Royal Group, Inc.**, Atlanta, GA (US)

(**) Term: **14 Years**

(21) Appl. No.: **29/482,401**

(22) Filed: **Feb. 18, 2014**

(51) **LOC (10) Cl.** **25-01**

(52) **U.S. Cl.**
USPC **D25/124**

(58) **Field of Classification Search**
USPC D25/124; 52/204.1, 204.2, 204.5, 52/204.51, 656.5, 656.6, 213, 215, 208, 52/656.2, 656.7, 800.13, 717.01; 49/DIG. 2, 504
CPC E06B 3/00; E06B 3/16; E06B 3/20; E06B 3/22; E06B 3/205

See application file for complete search history.

(56) **References Cited**

U.S. PATENT DOCUMENTS

4,130,976 A * 12/1978 Kessler et al. 52/656.2
D449,390 S * 10/2001 Goss D25/124
D450,135 S * 11/2001 Roberts et al. D25/124

* cited by examiner

Primary Examiner — Doris Clark

(74) *Attorney, Agent, or Firm* — Hunton & Williams, LLP.

(57) **CLAIM**

We claim the ornamental design for a window frame profile, as shown and described.

DESCRIPTION

FIG. 1 is a fragmentary top right isometric view of a window frame profile of the claimed design.

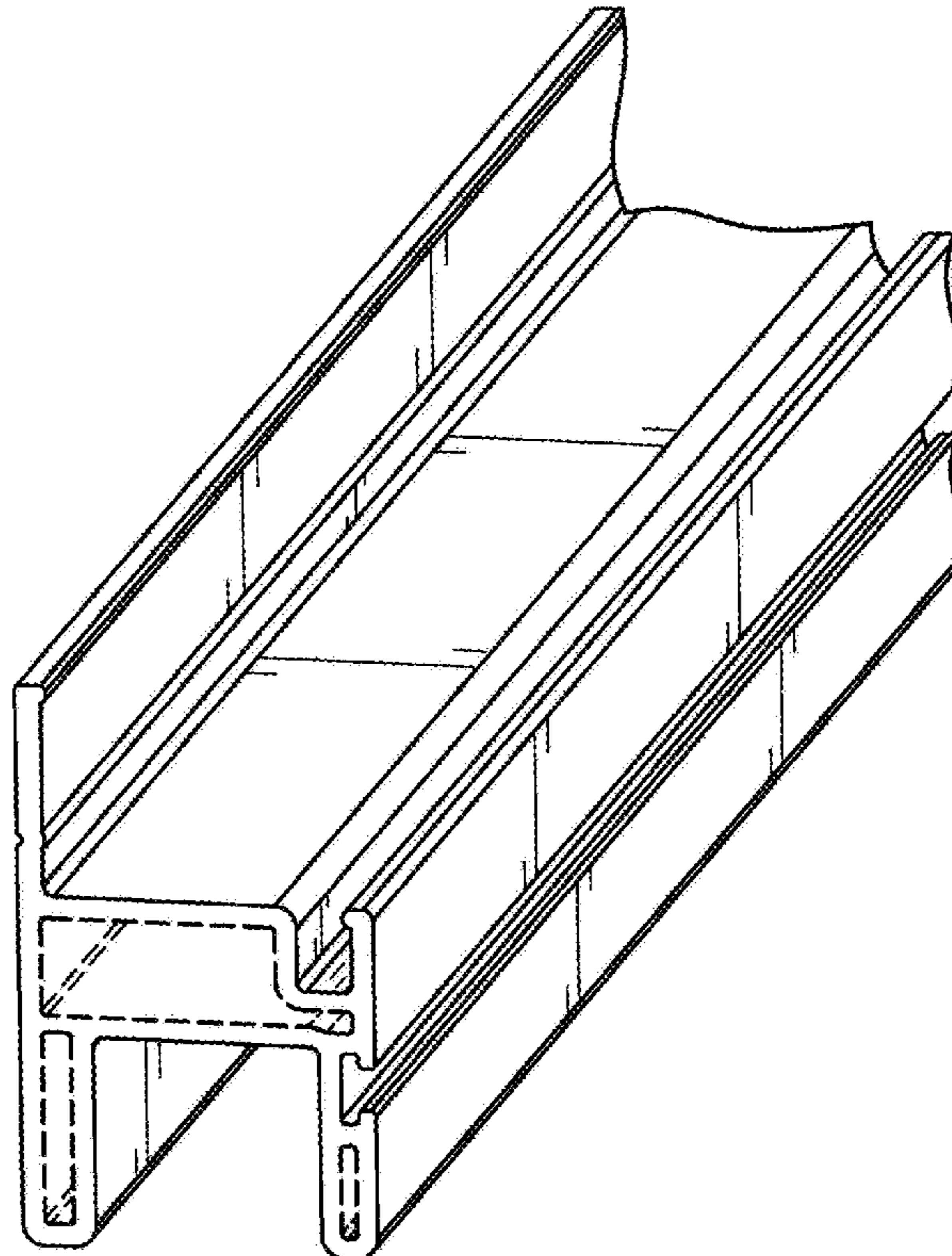
FIG. 2 is a fragmentary bottom left isometric view of a window frame profile of FIG. 1; and,

FIG. 3 is an end elevation view of the of the window frame profile of FIG. 1.

The claimed design is broken on the end to indicate indeterminate length.

The broken lines are for illustrative purposes only and form no part of the claimed design.

1 Claim, 3 Drawing Sheets



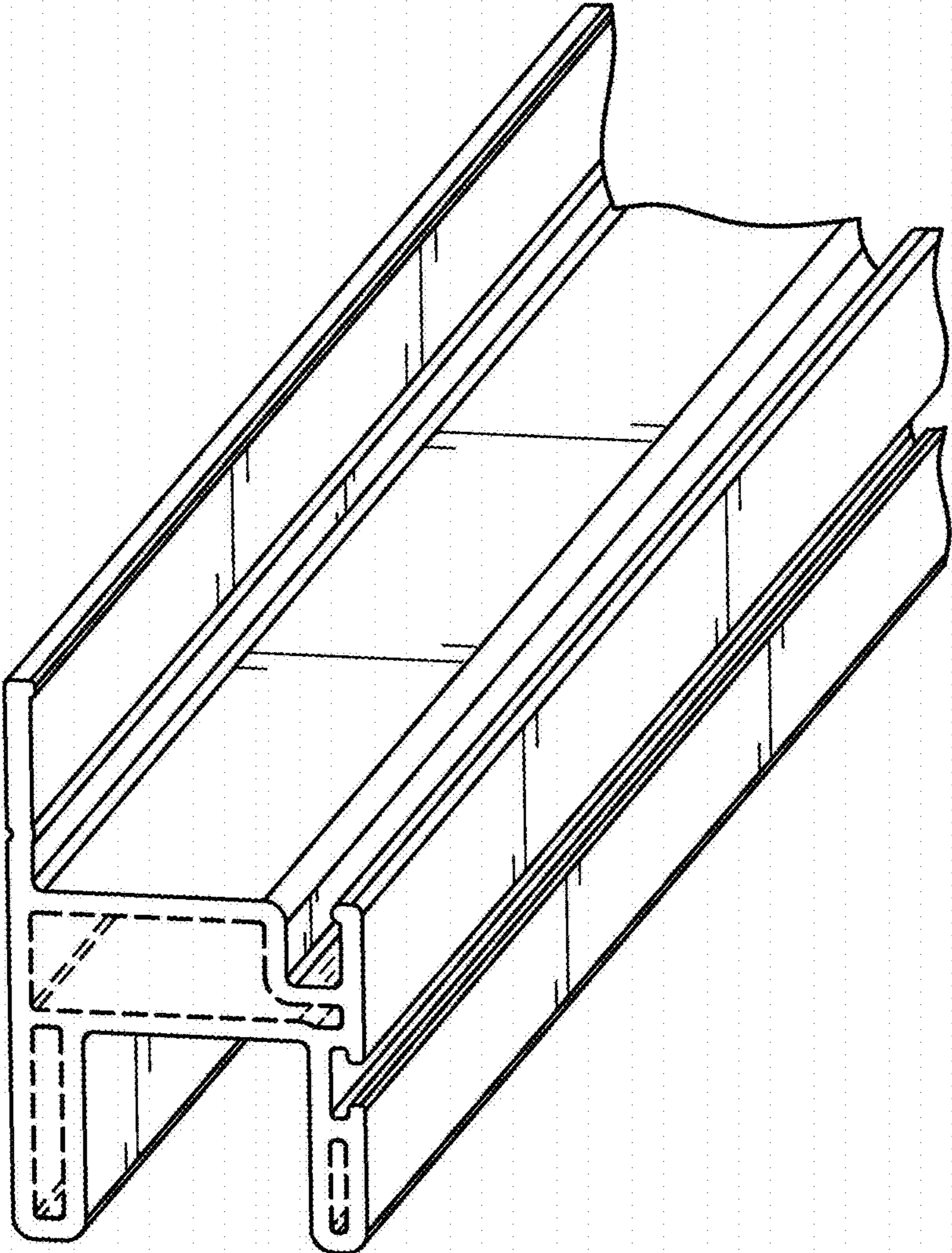


Fig. 1

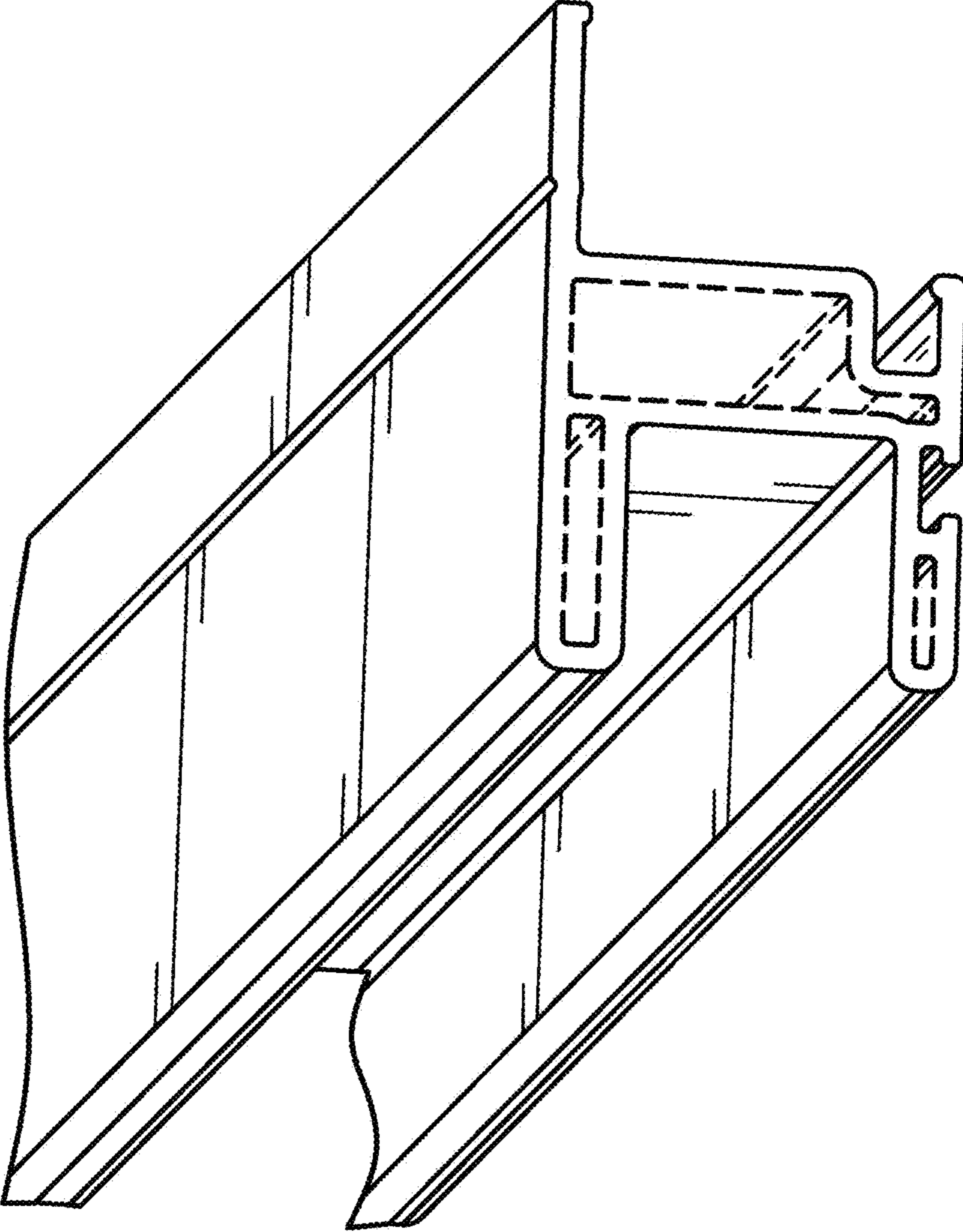


Fig. 2

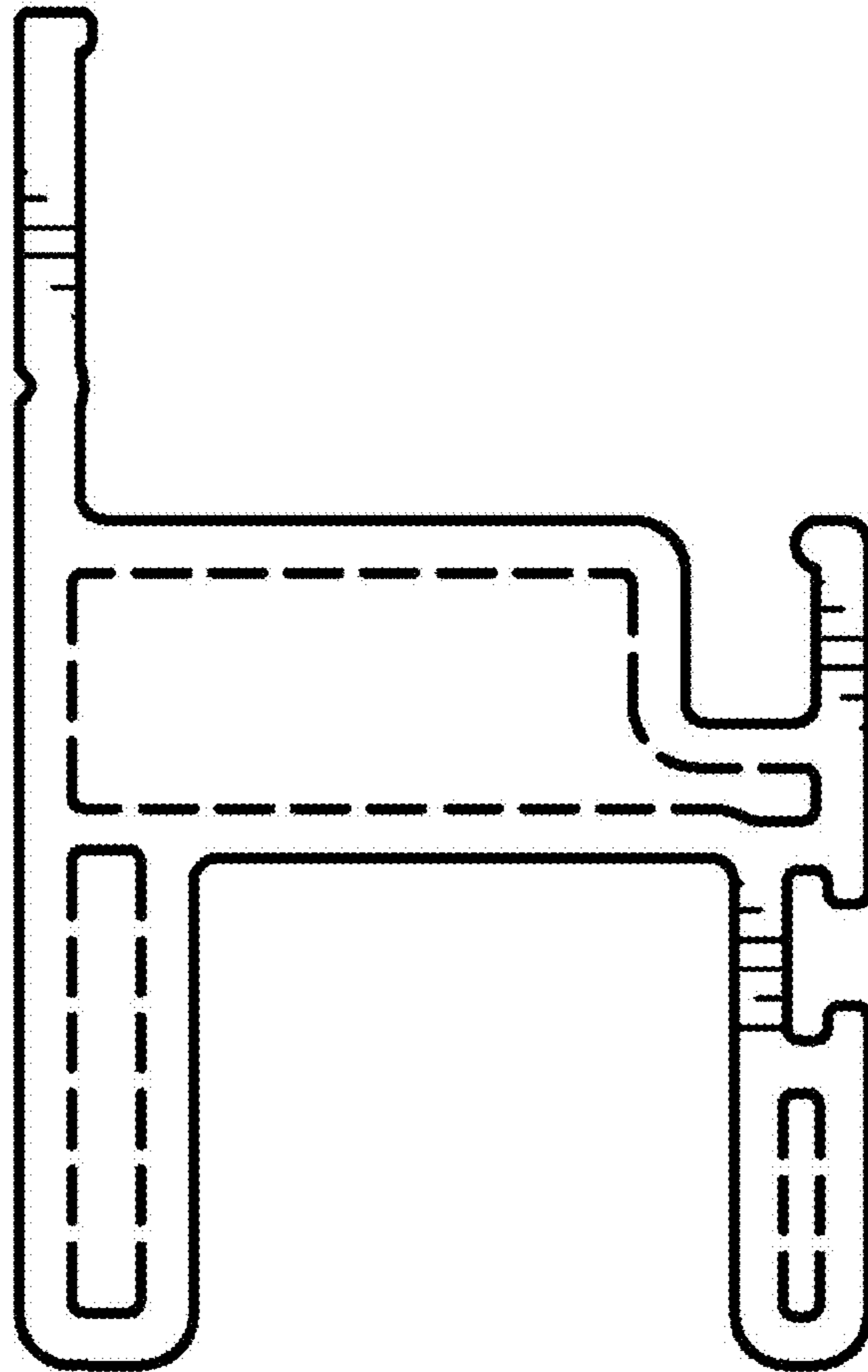


Fig. 3